



US00D888488S

(12) **United States Design Patent**
McColl

(10) **Patent No.:** **US D888,488 S**

(45) **Date of Patent:** **** Jun. 30, 2020**

(54) **COFFEE MACHINE**

(71) Applicant: **Breville Pty Limited**, Alexandria (AU)

(72) Inventor: **Nicholas McColl**, Randwick (AU)

(73) Assignee: **Breville Pty Limited**, Alexandria (AU)

(**) Term: **15 Years**

(21) Appl. No.: **29/654,871**

(22) Filed: **Jun. 28, 2018**

(30) **Foreign Application Priority Data**

Jun. 28, 2018 (AU) 201813835

(51) **LOC (12) Cl.** **07-01**

(52) **U.S. Cl.**
USPC **D7/309; D7/311**

(58) **Field of Classification Search**
USPC D7/300, 309–311, 306–308, 305, 397,
D7/355, 362, 365, 367, 399; 222/146.6,
222/185.1, 135; 99/295, 273, 304, 288,
99/279, 307, 283

CPC A47J 31/02; A47J 31/407; A47J 31/50;
A47J 31/18; A47J 31/061; A47J 27/04;
A47J 31/0573; A47J 31/52; A47J 31/057

See application file for complete search history.

(56) **References Cited**

U.S. PATENT DOCUMENTS

D320,138 S * 9/1991 Steinkamp D7/309
D546,112 S * 7/2007 Rorke D7/309

D677,510 S * 3/2013 Tetreault D7/309
D721,531 S * 1/2015 Krasne D7/309
D742,680 S * 11/2015 Burrows D7/309
D755,556 S * 5/2016 Bandixen D7/306
D757,477 S * 5/2016 Wang D7/306
D760,009 S * 6/2016 Moammer D7/309
D849,464 S * 5/2019 McConnell D7/310
D867,047 S * 11/2019 McConnell D7/310
2014/0013958 A1 * 1/2014 Krasne A47J 31/407
99/284

* cited by examiner

Primary Examiner — Marianne N Pandozzi

(74) *Attorney, Agent, or Firm* — Moser Taboada

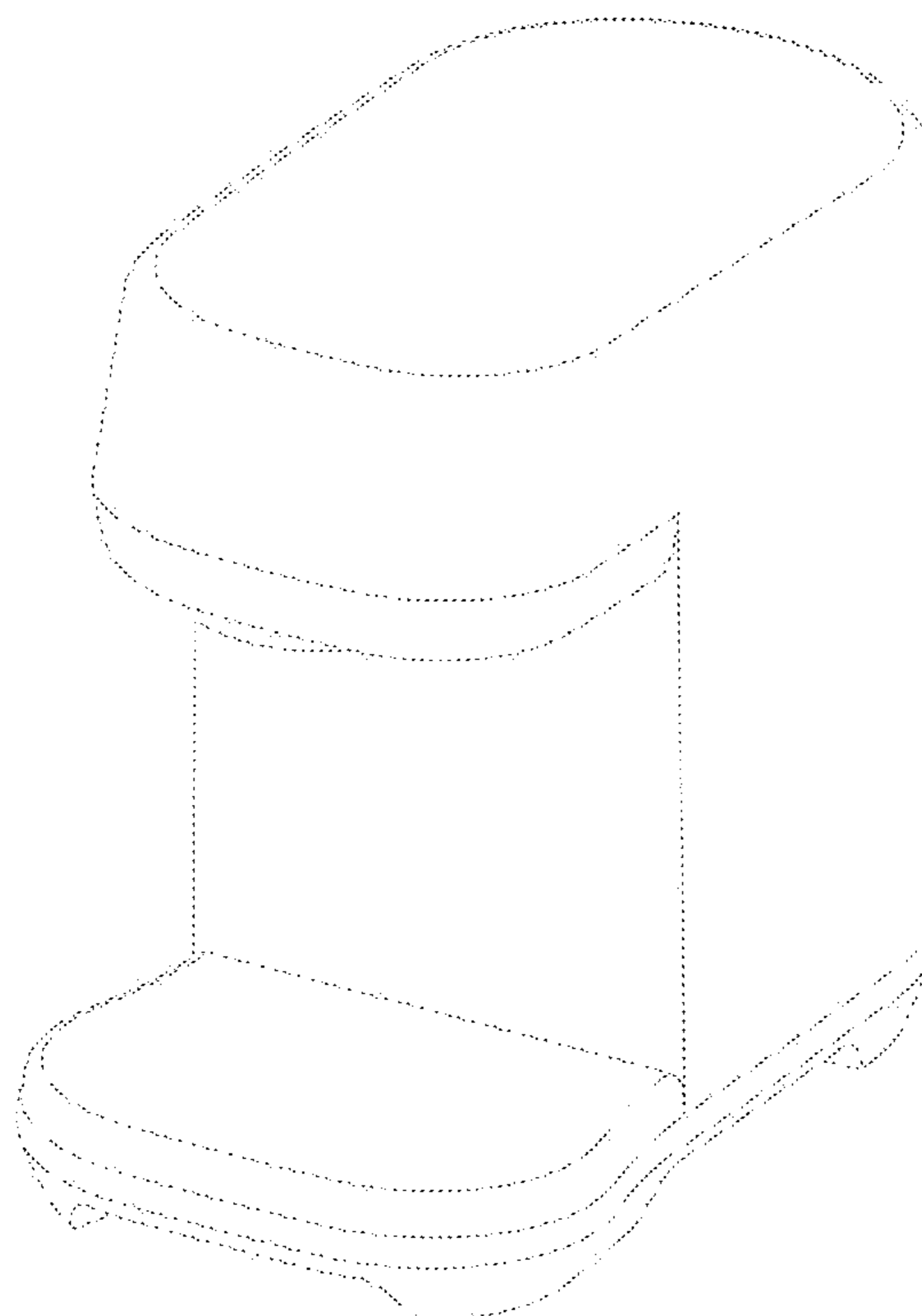
(57) **CLAIM**

The ornamental design for a coffee machine, as shown and described.

DESCRIPTION

FIG. 1 is a perspective view of a coffee machine embodying the new design;
FIG. 2 is a bottom view of the design shown in FIG. 1;
FIG. 3 is a top view of the design shown in FIG. 1;
FIG. 4 is a front view of the design shown in FIG. 1;
FIG. 5 is a left side view of the design shown in FIG. 1; and,
FIG. 6 is a right side view of the design shown in FIG. 1.

1 Claim, 6 Drawing Sheets



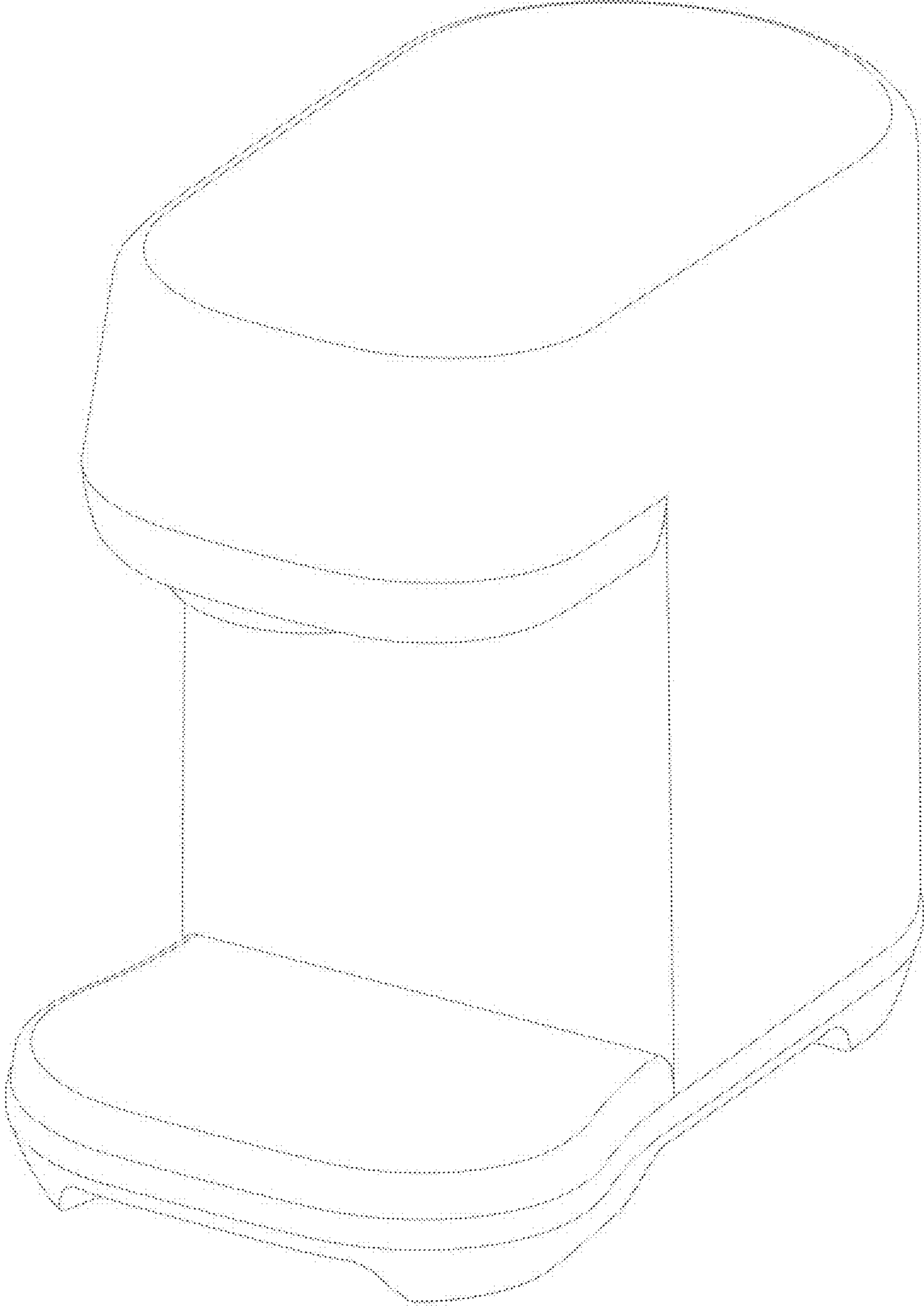


FIG. 1

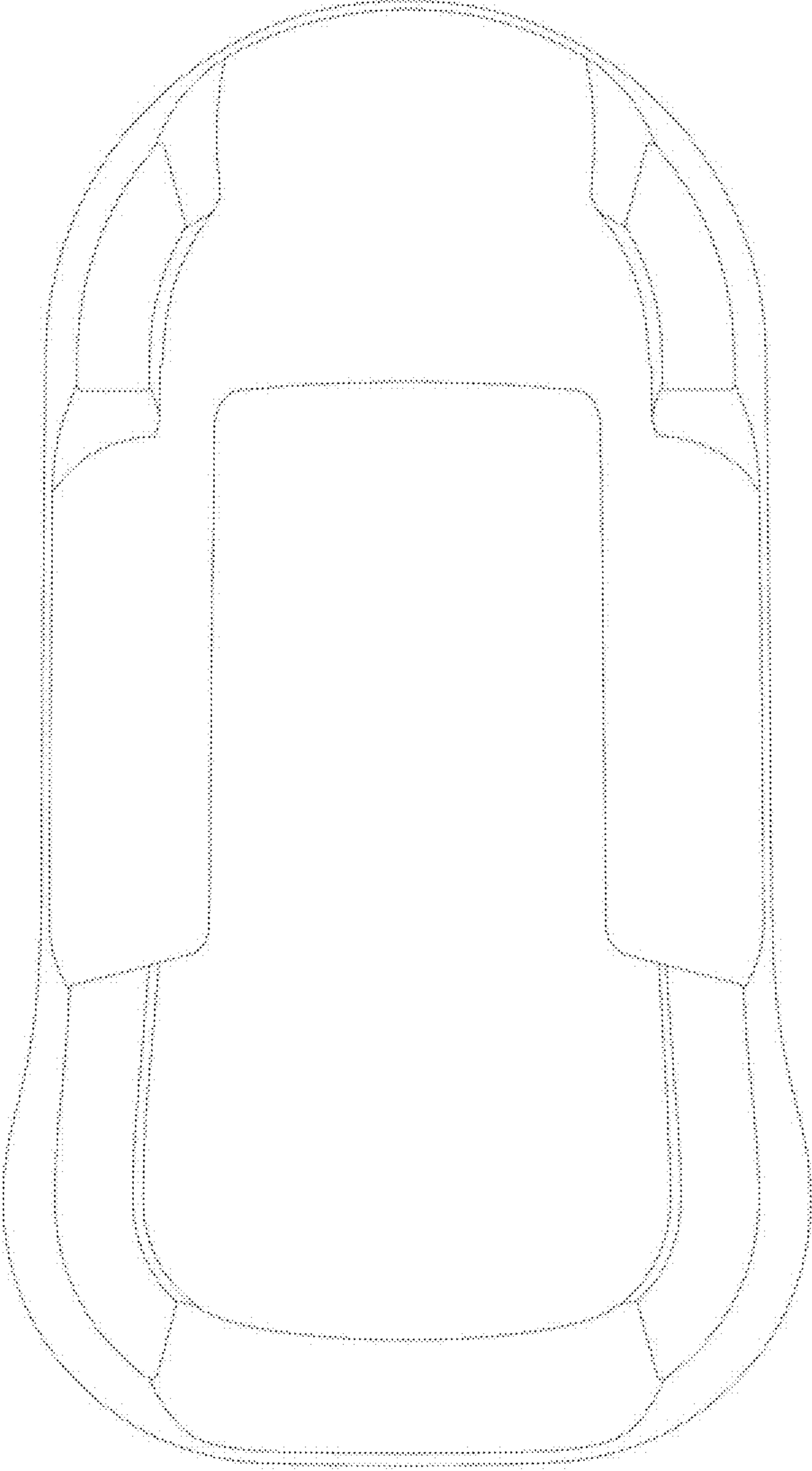


FIG. 2

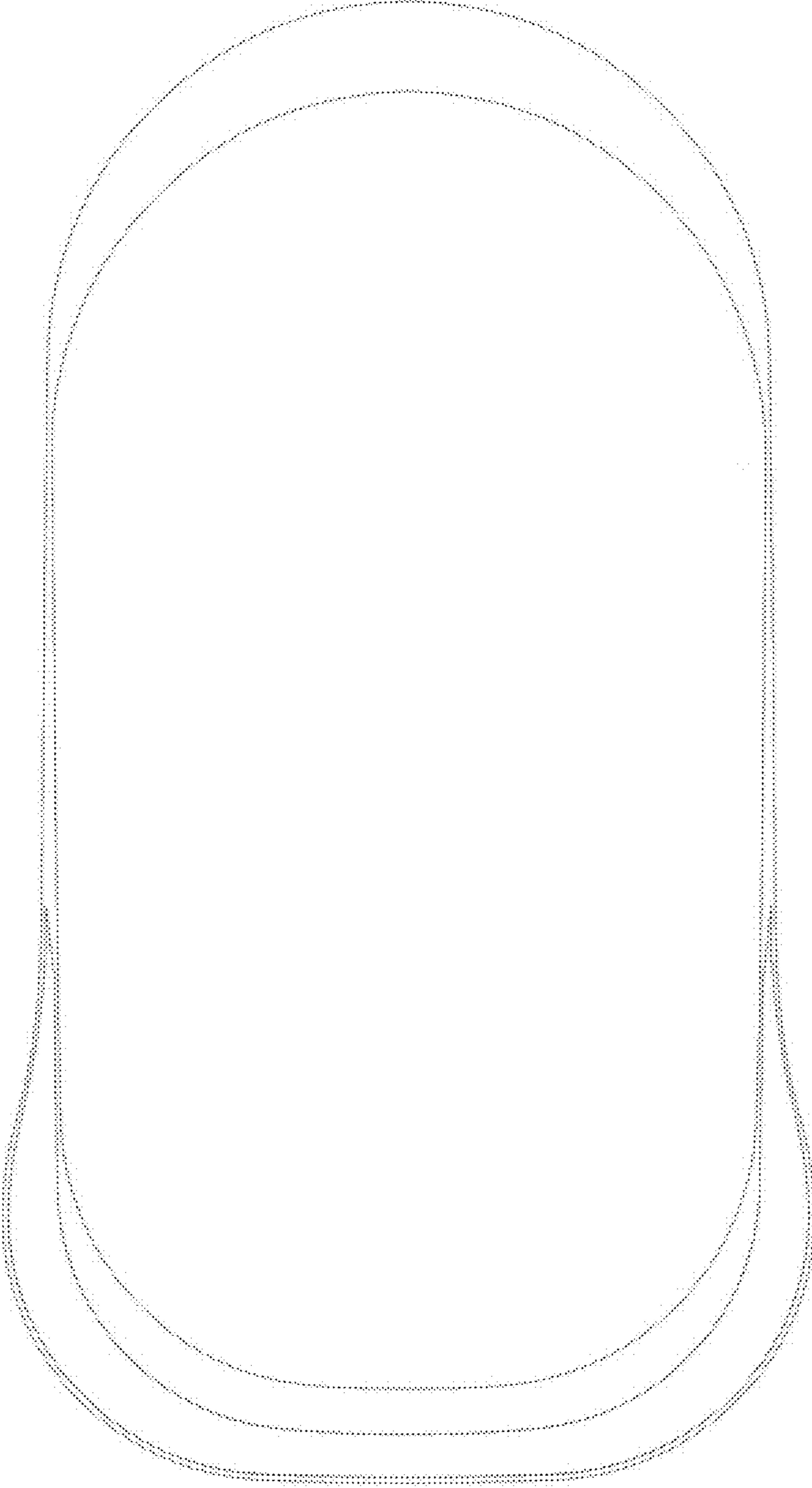


FIG. 3

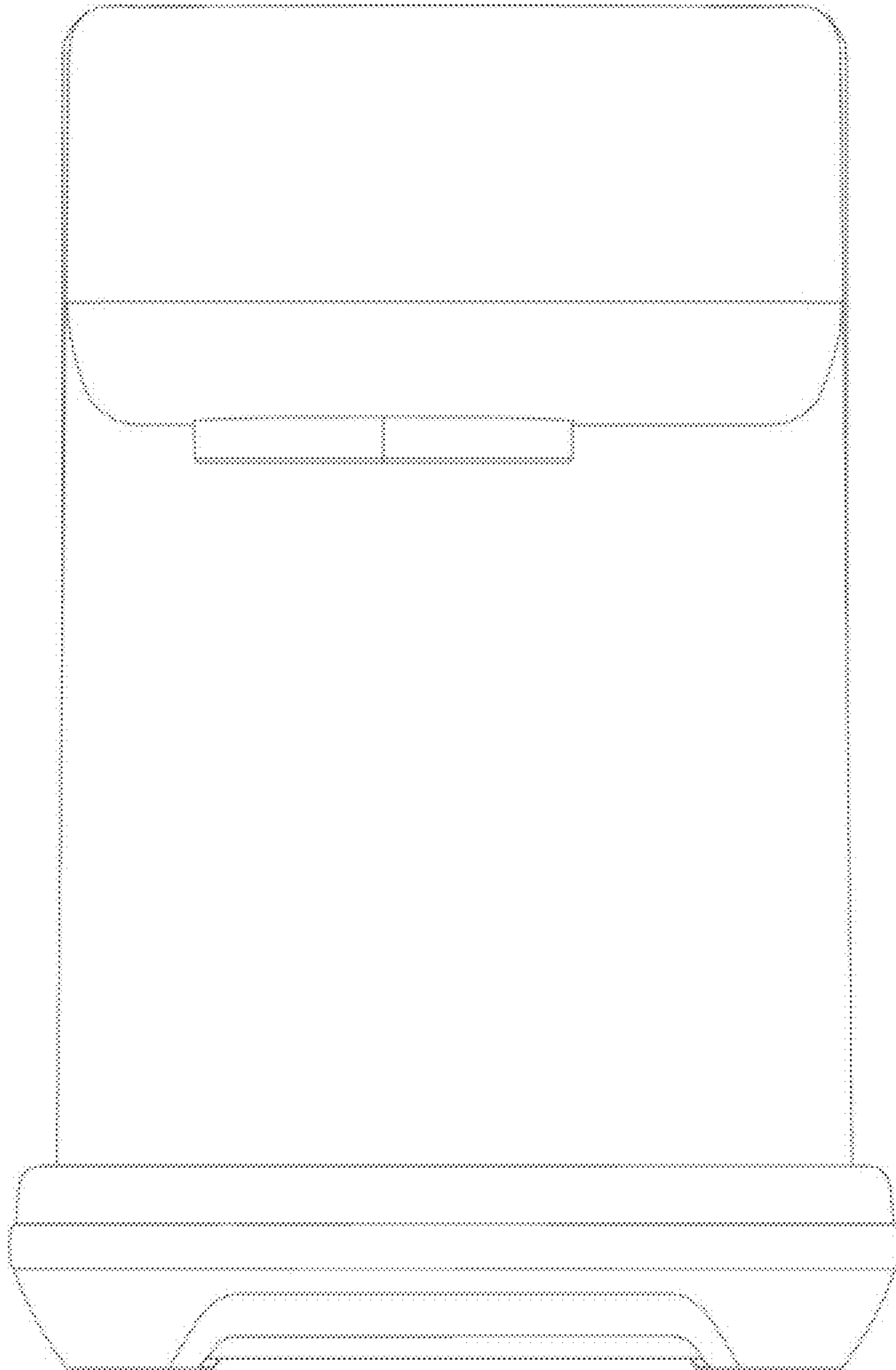


FIG. 4

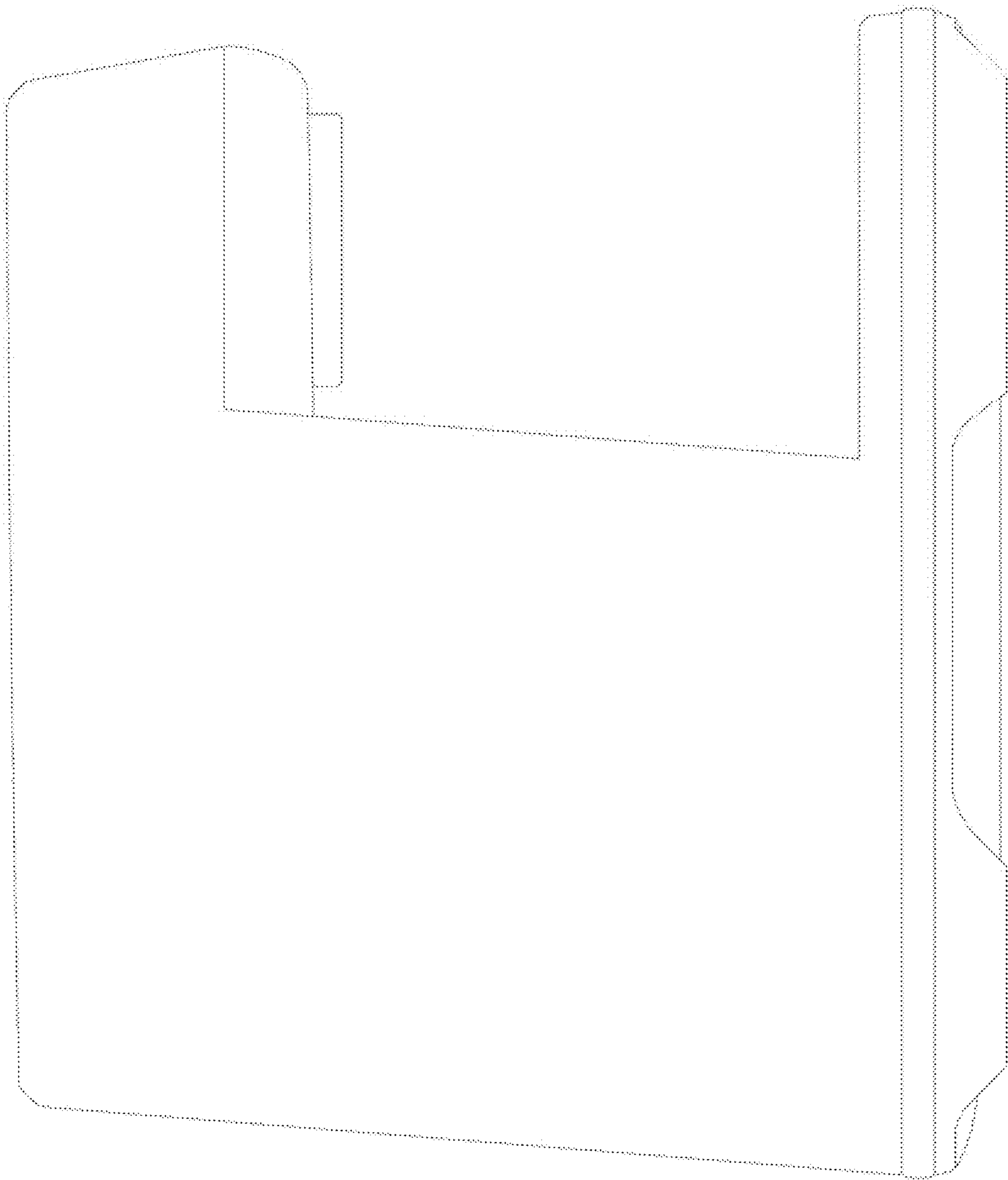


FIG. 5

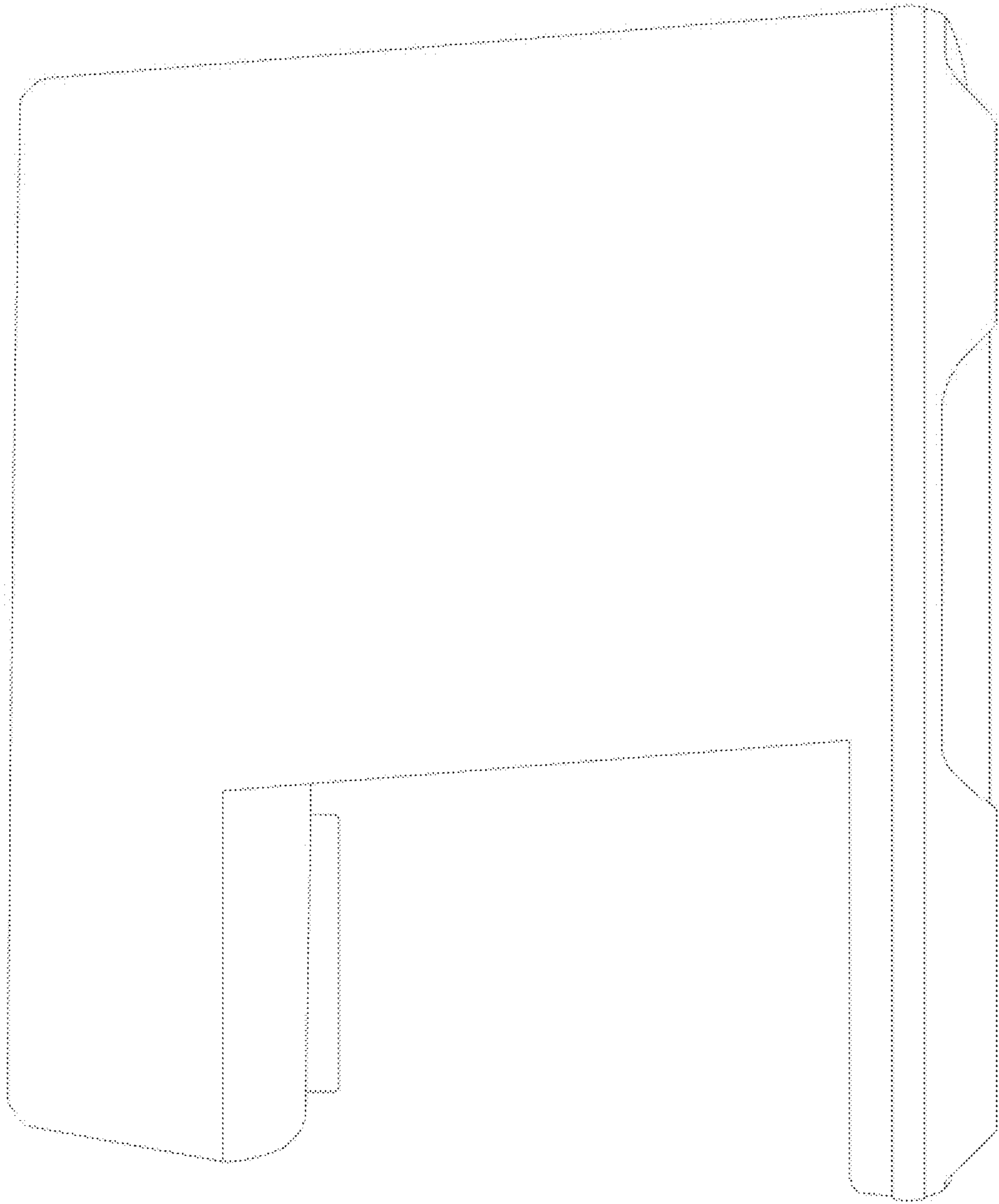


FIG. 6