



US00D888487S

(12) **United States Design Patent**  
**Iotti et al.**

(10) **Patent No.:** **US D888,487 S**  
(45) **Date of Patent:** **\*\* Jun. 30, 2020**

(54) **DISPENSING DEVICE FOR DELIVERING  
DIETARY AND NUTRACEUTICAL  
SUPPLEMENTS**

D757,477 S *	5/2016	Wang .....	D7/306
D839,036 S *	1/2019	Simani .....	D7/313
D843,154 S *	3/2019	Buttler .....	D7/309
D852,568 S *	7/2019	Simani .....	D7/313
D853,168 S *	7/2019	Marmier .....	D7/306
D854,363 S *	7/2019	Behrmann .....	D7/306

(71) Applicant: **MIXFIT INC.**, Boston, MA (US)

\* cited by examiner

(72) Inventors: **Marco Iotti**, Lausanne (CH); **Reza Zanjani**, Boston, MA (US); **Gianluca Colantonio**, Grangettes-près-Romont (CH)

*Primary Examiner* — Marianne N Pandozzi

(74) *Attorney, Agent, or Firm* — Muncy, Geissler, Olds & Lowe, P.C.

(73) Assignee: **MIXFIT INC.**, Boston, MA (US)

(\*\*) Term: **15 Years**

(57) **CLAIM**

(21) Appl. No.: **29/695,970**

The ornamental design for a dispensing device for delivering dietary and nutraceutical supplements, applied to it as shown and described.

(22) Filed: **Jun. 24, 2019**

(51) **LOC (12) Cl.** ..... **07-01**

(52) **U.S. Cl.**  
USPC ..... **D7/306; D7/311**

**DESCRIPTION**

(58) **Field of Classification Search**  
USPC ..... D7/300, 309–311, 306–308, 305, 355,  
D7/362, 365, 367, 379, 376; 222/146.6,  
222/185.1, 135; 99/295, 273, 304, 288,  
99/279, 307, 283

FIG. 1 is a perspective view of a dispensing device for delivering dietary and nutraceutical supplements showing our new design;

FIG. 2 is a left view thereof;

FIG. 3 is a right view thereof;

FIG. 4 is a front view thereof;

FIG. 5 is a rear view thereof;

FIG. 6 is a bottom view thereof; and,

FIG. 7 is a top view thereof.

The broken lines in the drawing depict portions of the dispensing device for delivering dietary and nutraceutical supplements that form no part of the claimed design.

CPC A47J 31/46; A47J 31/407; A47J 31/50; A47J  
31/18; A47J 31/00; A47J 27/04; A47J  
31/0573; A47J 31/36; B24B 7/242

See application file for complete search history.

(56) **References Cited**

**U.S. PATENT DOCUMENTS**

D667,674 S *	9/2012	Wilder .....	D7/306
D712,187 S *	9/2014	Wilder .....	D7/306

**1 Claim, 7 Drawing Sheets**

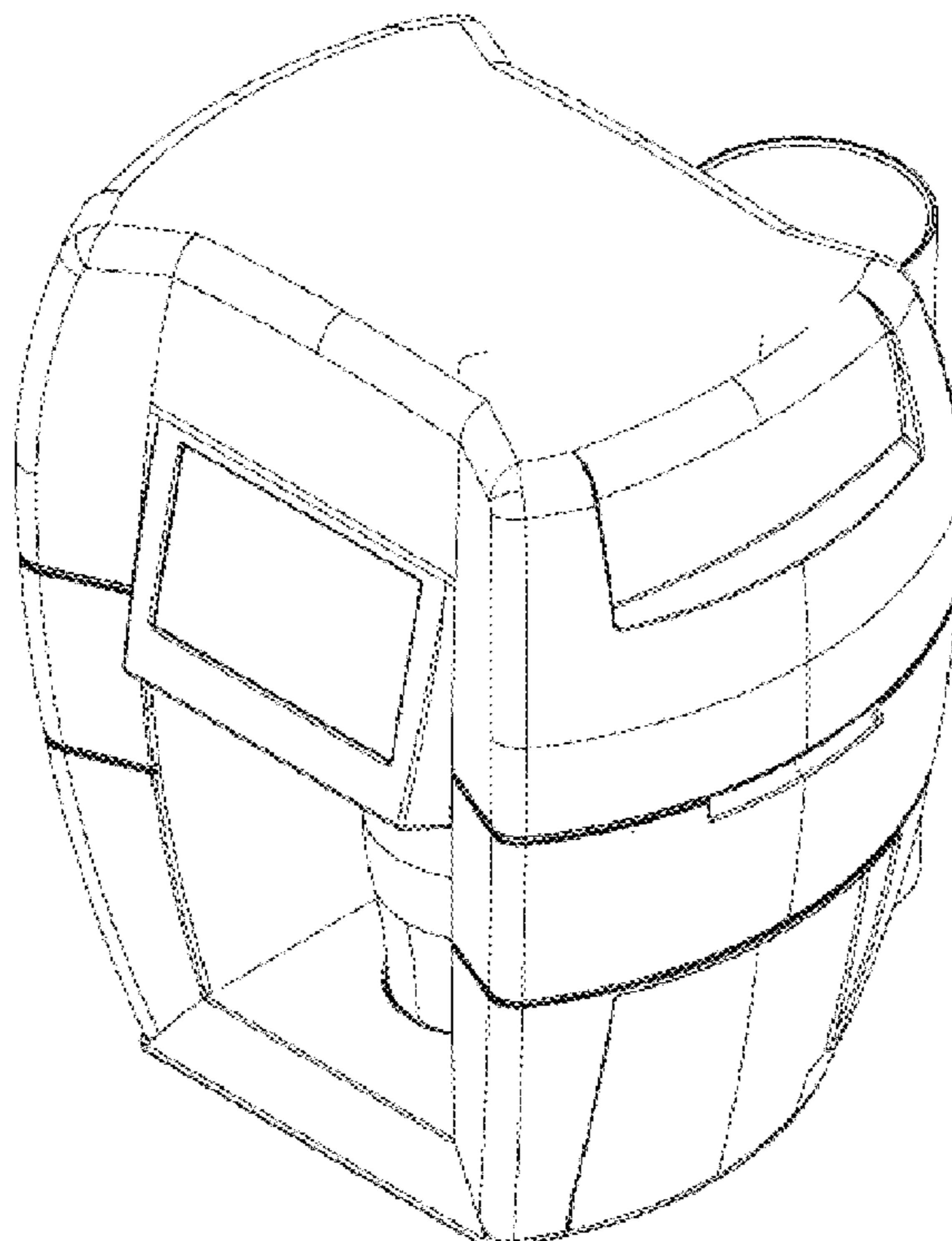


FIG. 1

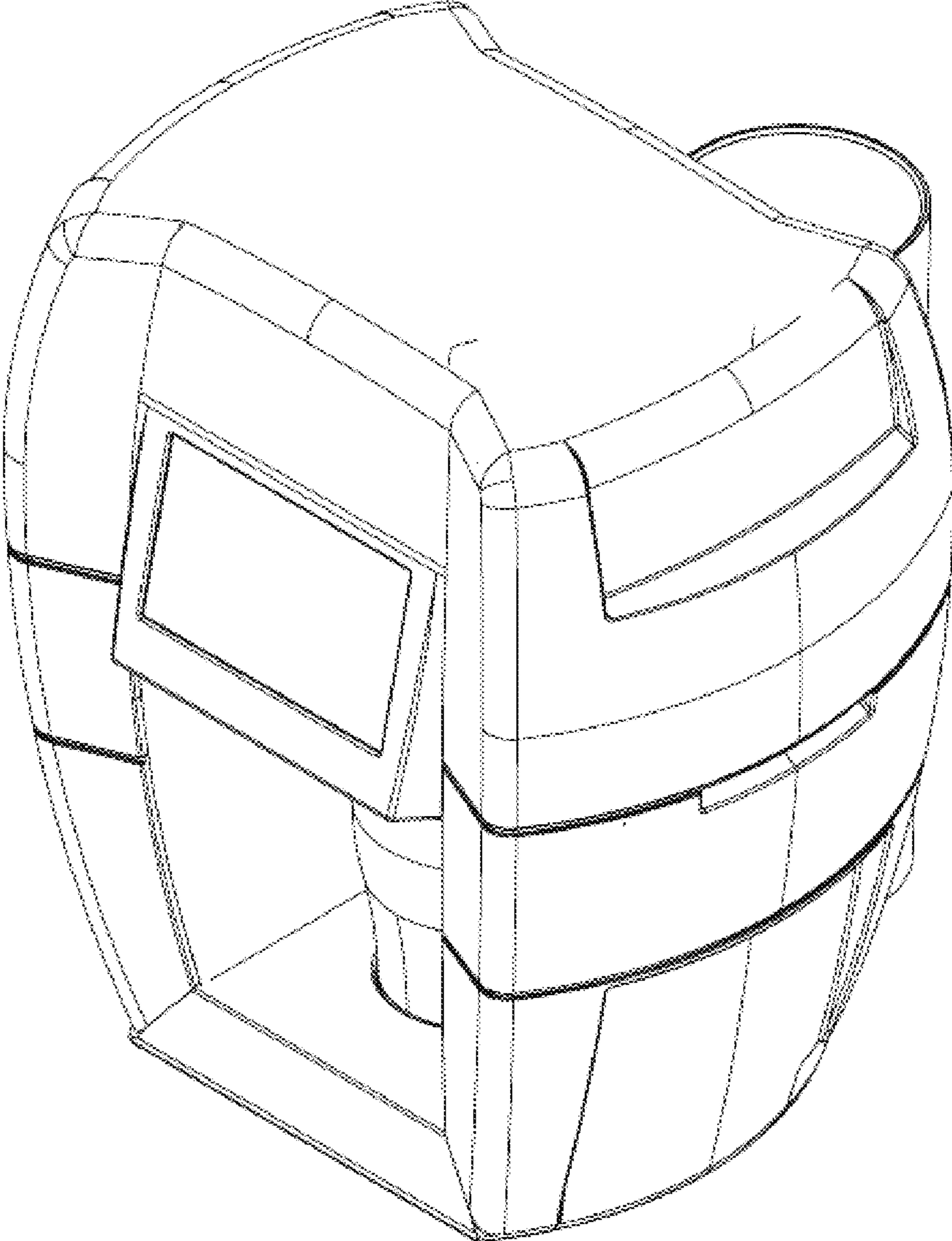
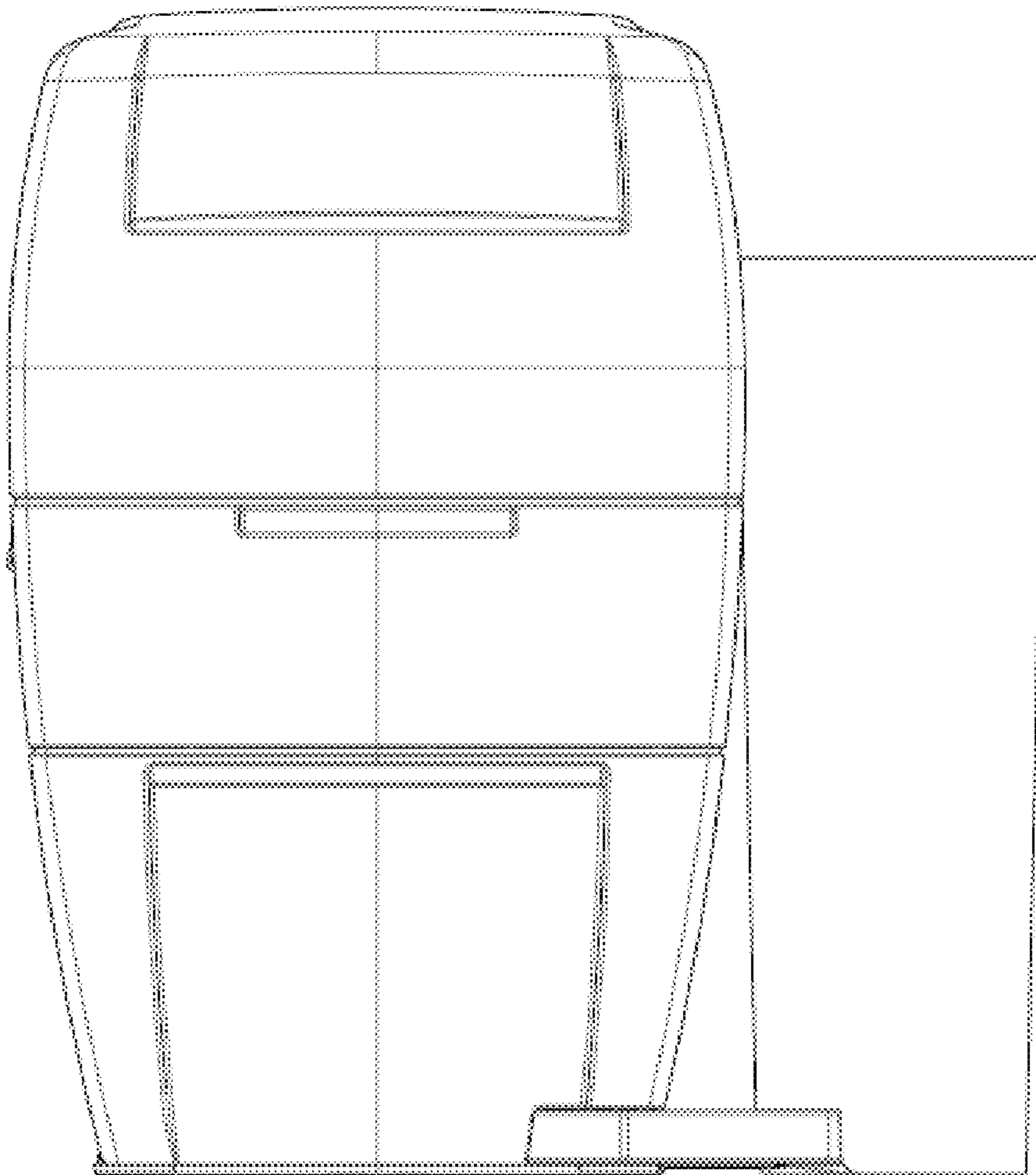


FIG. 2



# FIG. 3

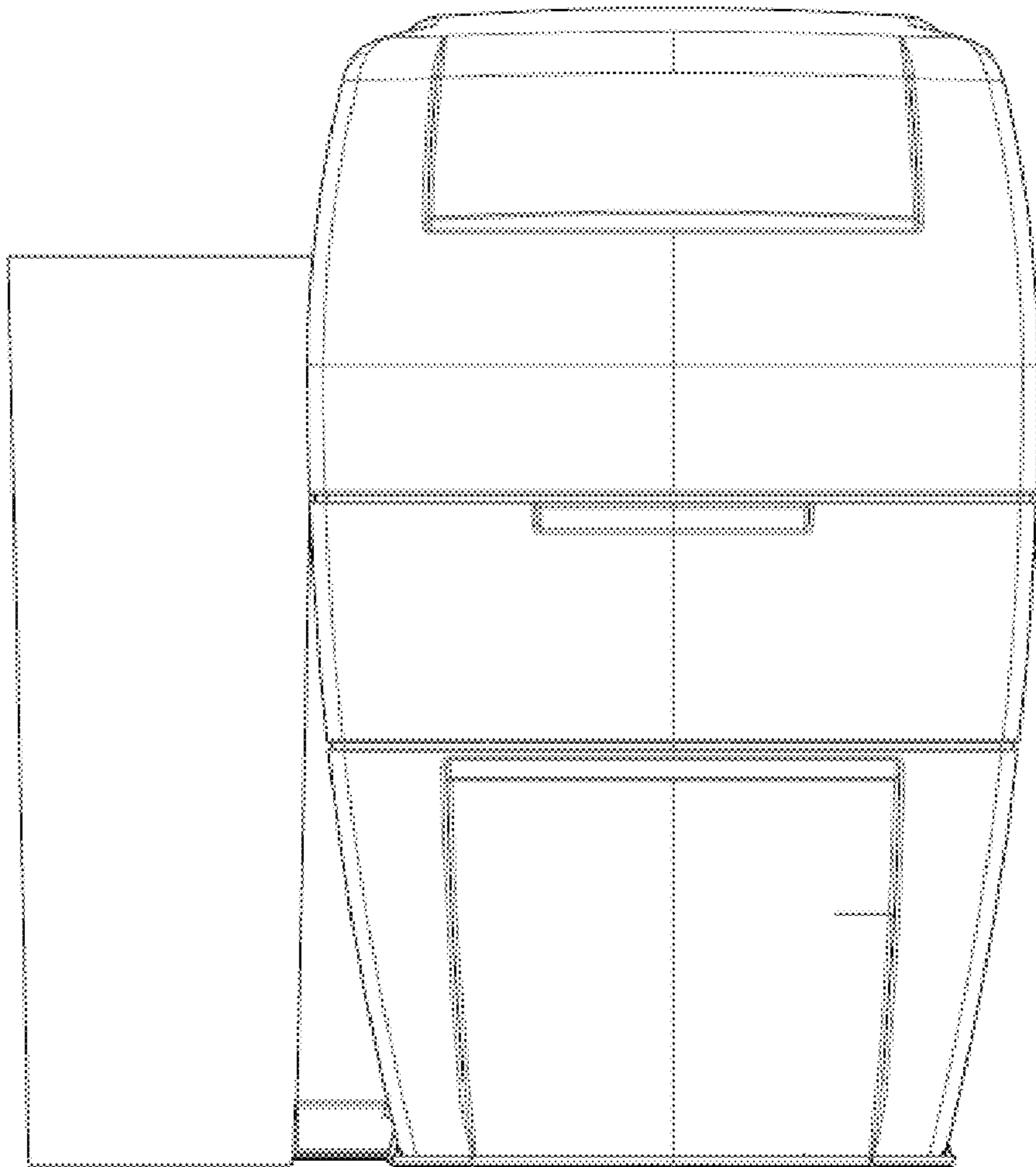




FIG. 4

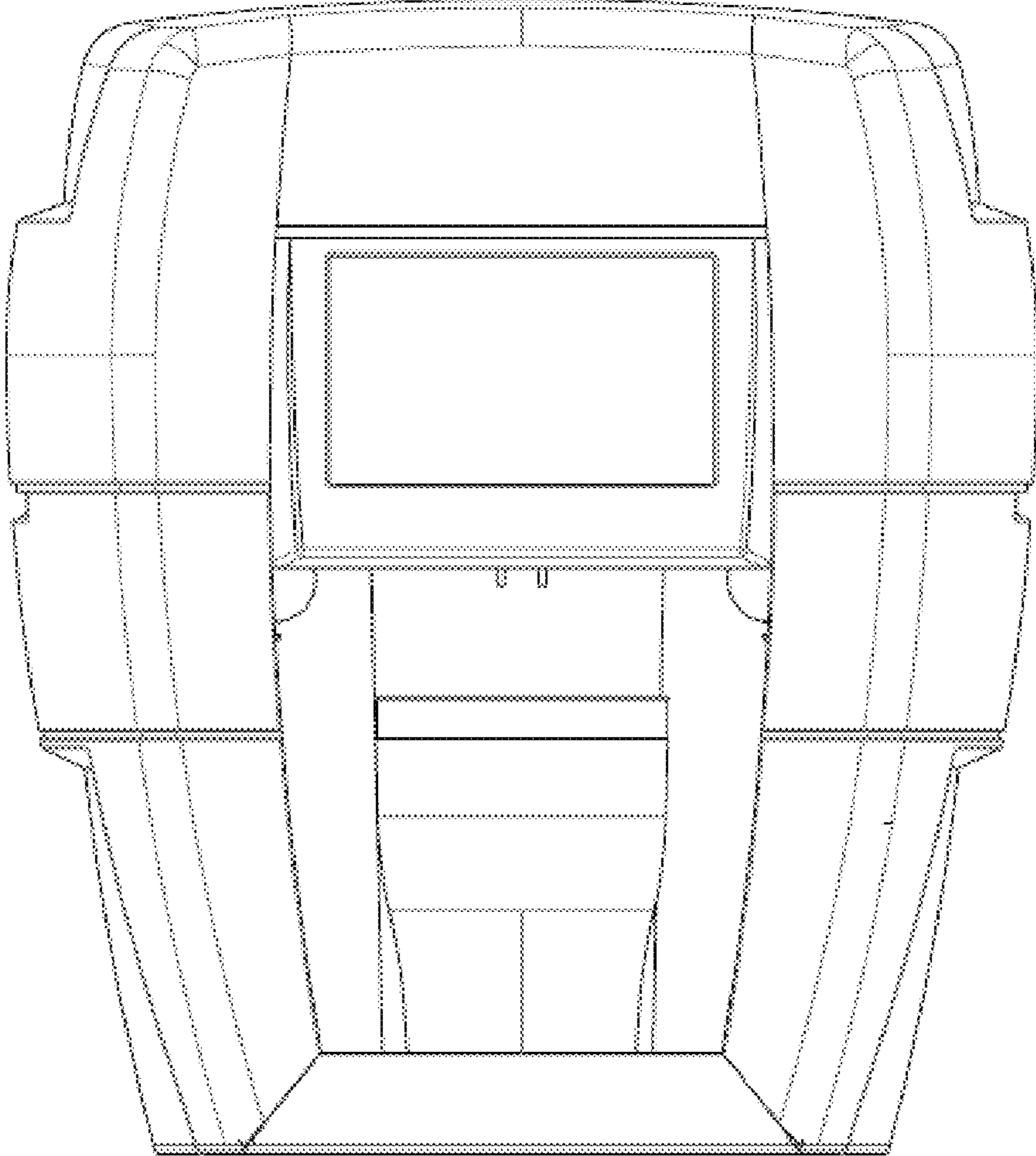
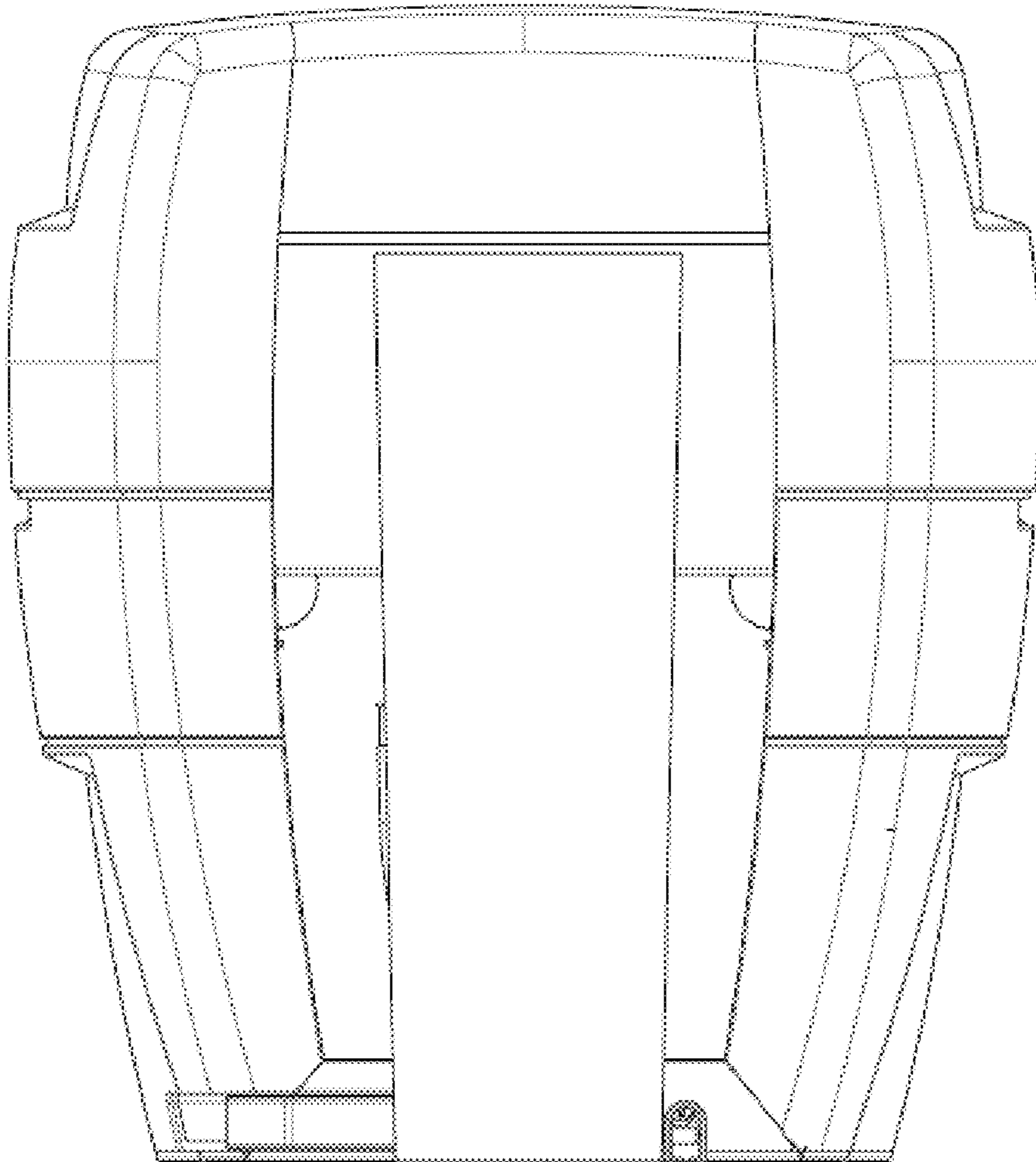
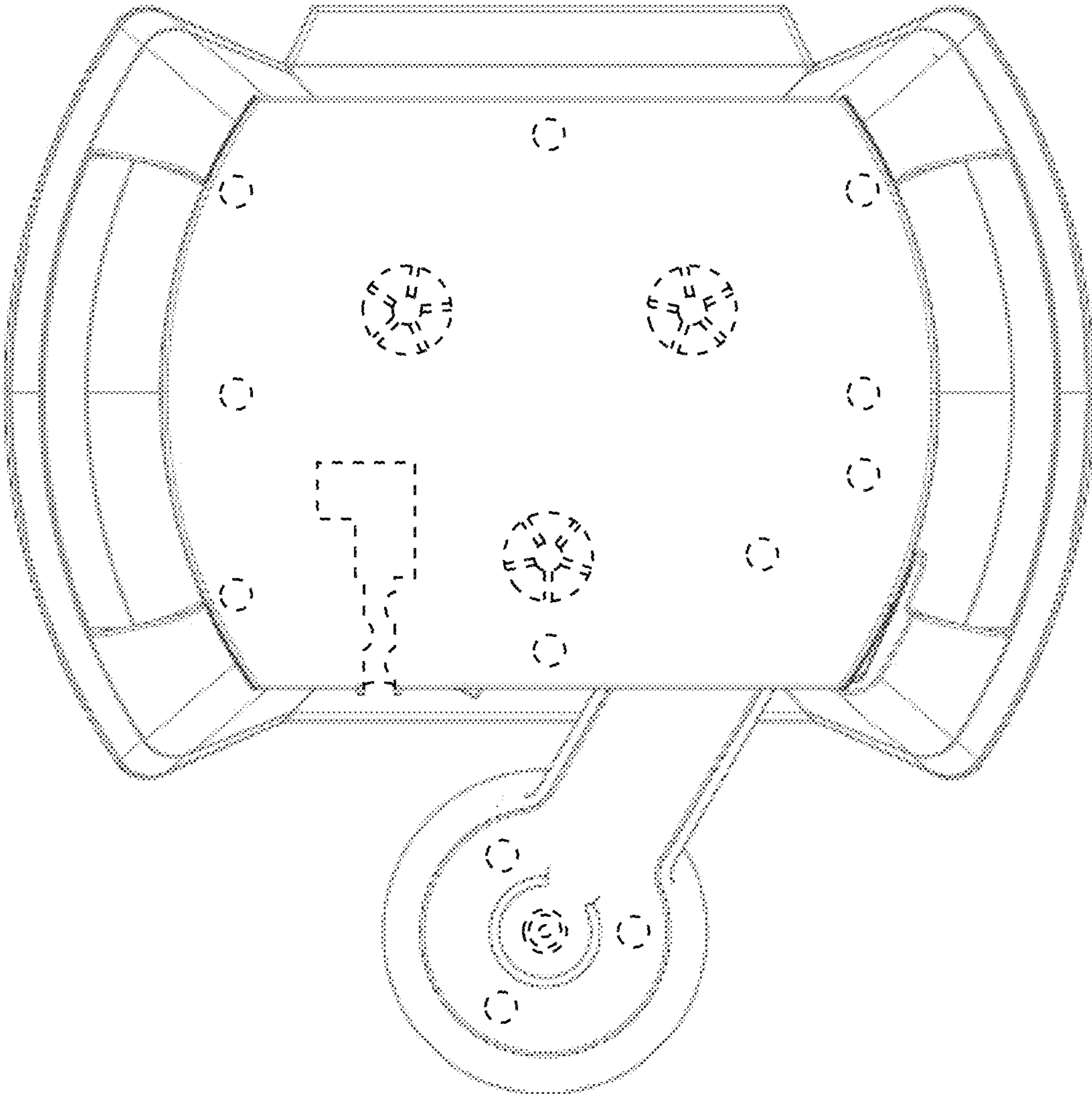


FIG. 5





**FIG. 6**

FIG. 7

