



US00D888486S

(12) **United States Design Patent**
Yang et al.

(10) **Patent No.:** **US D888,486 S**
(45) **Date of Patent:** **** Jun. 30, 2020**

- (54) **BEVERAGE MACHINE**
- (71) Applicant: **BONNE O INC.**, Toronto (CA)
- (72) Inventors: **Danian Yang**, Toronto (CA); **Randy Yang**, Toronto (CA); **Ryan Day**, Victoria (CA); **Thomas Roy Sawyer**, Toronto (CA)
- (73) Assignee: **BONNE O INC.**, Toronto (CA)
- (**) Term: **15 Years**
- (21) Appl. No.: **29/668,406**
- (22) Filed: **Oct. 30, 2018**

D707,791 S *	6/2014	Beghelli	D23/207
D724,369 S *	3/2015	Cahen	D7/309
D728,987 S *	5/2015	Cahen	D7/309
D738,149 S *	9/2015	Ye	D7/306
D747,144 S *	1/2016	Sun	D7/509
D755,001 S *	5/2016	Lintner	D7/306
D779,257 S *	2/2017	Hale	D7/306
D796,885 S *	9/2017	Wang	D7/306
D812,952 S *	3/2018	Fedorak	D7/306
D840,733 S *	2/2019	Hale	D7/306
D853,166 S *	7/2019	Koury	D7/306
D853,167 S *	7/2019	Koury	D7/306
2008/0134902 A1 *	6/2008	Zimmerman	A47J 31/32 99/302 R
2010/0024658 A1 *	2/2010	Jacobs	A47J 31/469 99/302 R

(30) **Foreign Application Priority Data**

May 4, 2018 (CA) 181210

(51) **LOC (12) Cl.** **07-01**

(52) **U.S. Cl.**
USPC **D7/306; D7/311; D7/309**

(58) **Field of Classification Search**
USPC D7/300, 306-311, 305, 397, 355, 362,
D7/365, 367, 399; 222/146.6, 185.1, 135;
99/295, 323.1
CPC A47J 31/02; A47J 31/407; A47J 31/18;
A47J 31/061; A47J 31/4403; B67D
1/0869; B67D 1/0004; B67D 1/0036
See application file for complete search history.

(56) **References Cited**

U.S. PATENT DOCUMENTS

D649,392 S *	11/2011	Cahen	D7/306
D666,051 S *	8/2012	de Pra	D7/309
D687,662 S *	8/2013	Beghelli	D7/306
D687,664 S *	8/2013	Beghelli	D7/306
D707,790 S *	6/2014	Beghelli	D23/207

* cited by examiner

Primary Examiner — Marianne N Pandozzi
(74) *Attorney, Agent, or Firm* — Bereskin & Parr
LLP/S.E.N.C.R.L.,s.r.l.

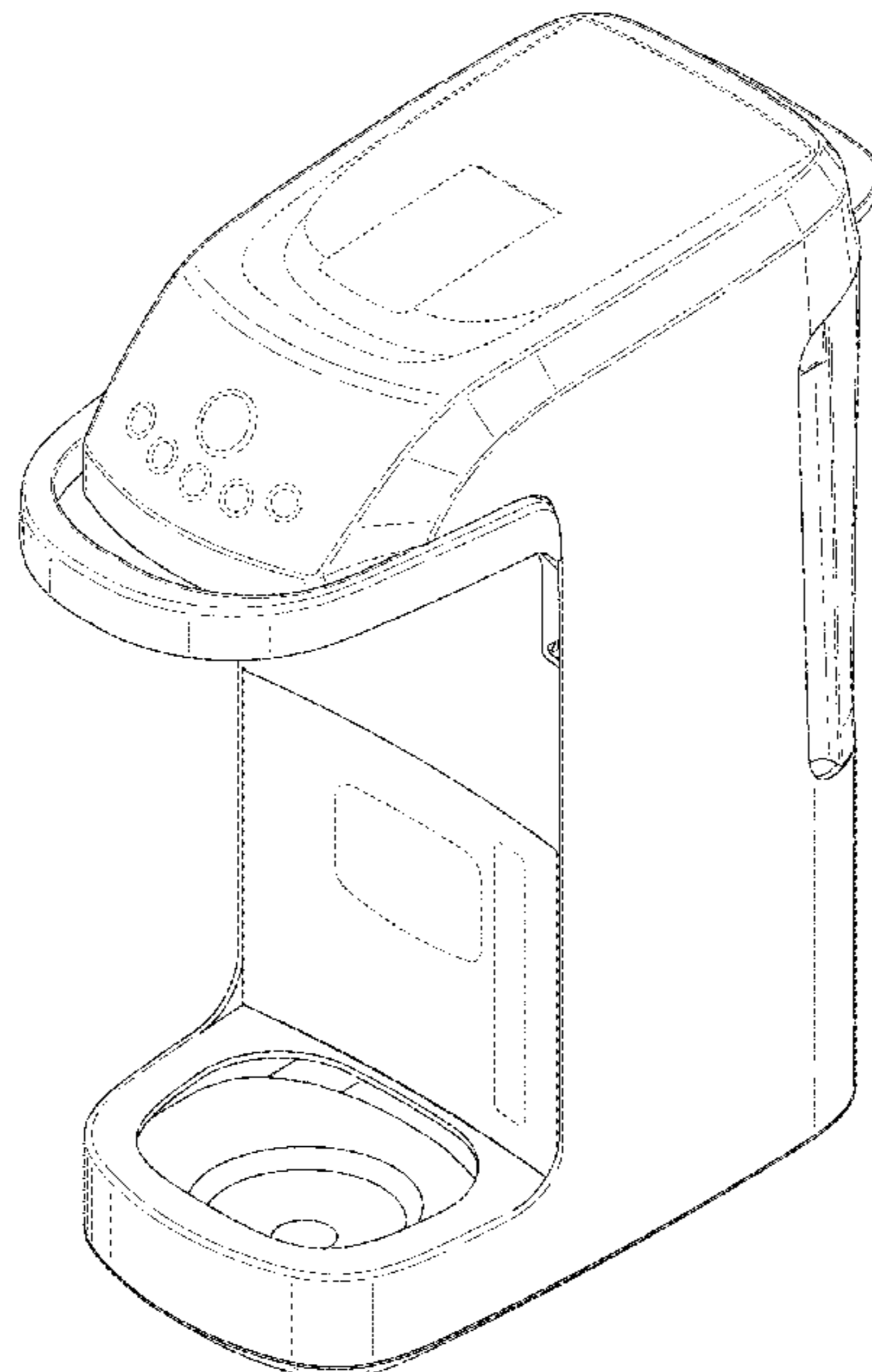
(57) **CLAIM**

The ornamental design for a beverage machine, as shown and described.

DESCRIPTION

FIG. 1 is a front perspective view of a beverage machine in accordance with said Industrial Design; FIG. 2 is a rear perspective view thereof; FIG. 3 is a front elevation view thereof; FIG. 4 is a rear elevation view thereof; FIG. 5 is a right side elevation view thereof; FIG. 6 is a left side elevation view thereof; FIG. 7 is a top plan view thereof; and, FIG. 8 is a bottom plan view thereof. The broken lines in the drawings depict portions of the beverage machine that form no part of the claimed design.

1 Claim, 8 Drawing Sheets



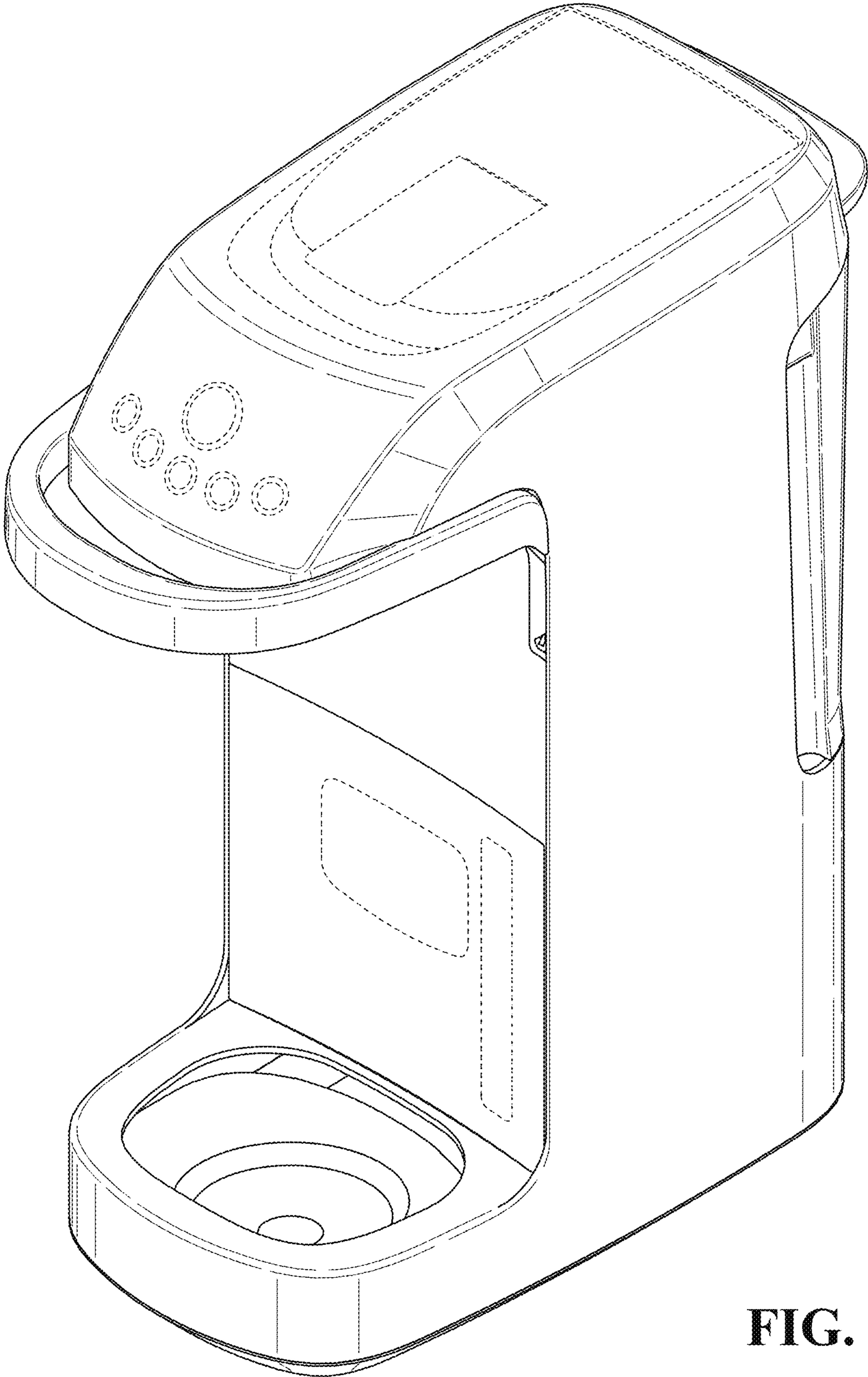


FIG. 1

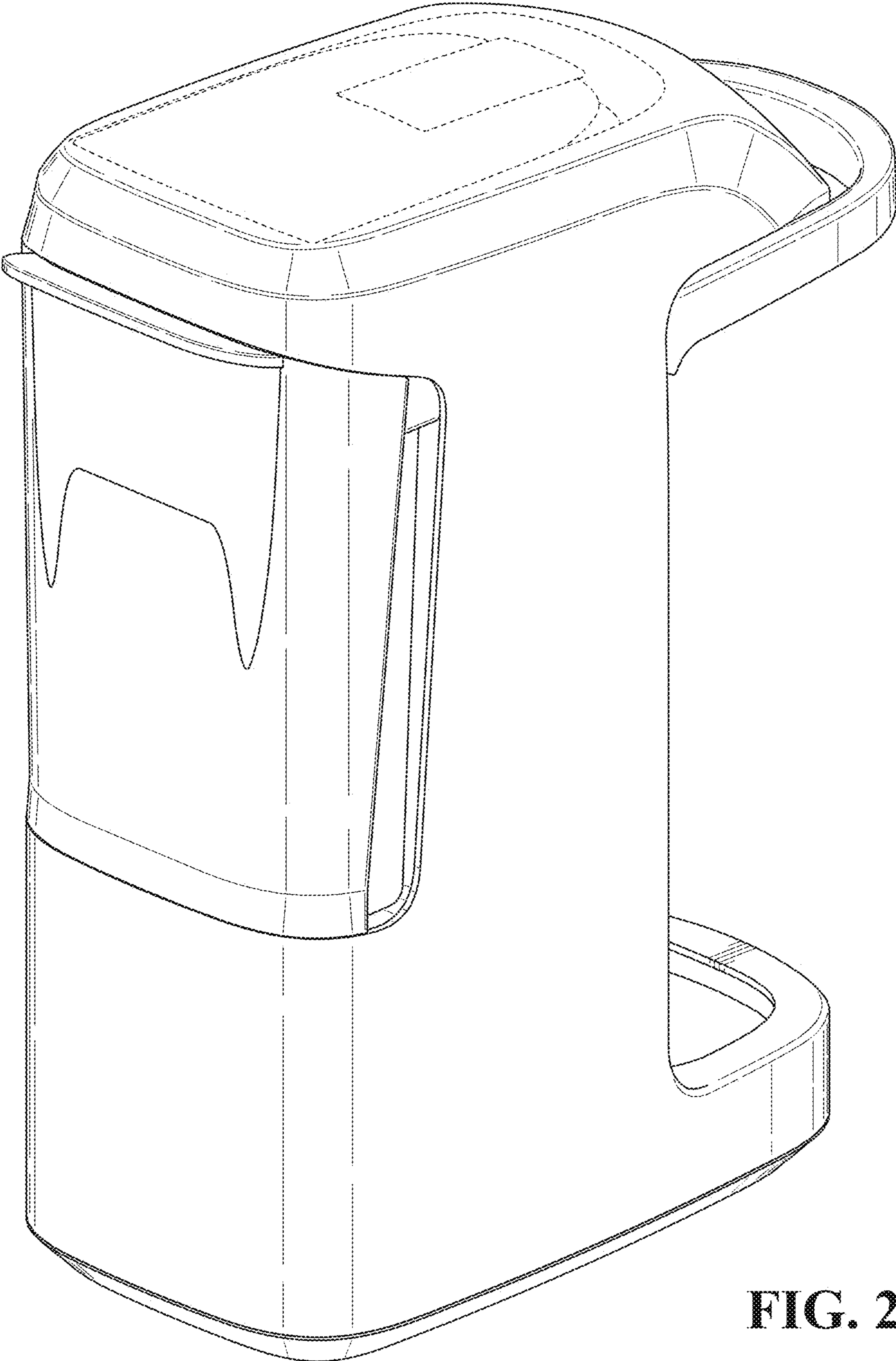


FIG. 2

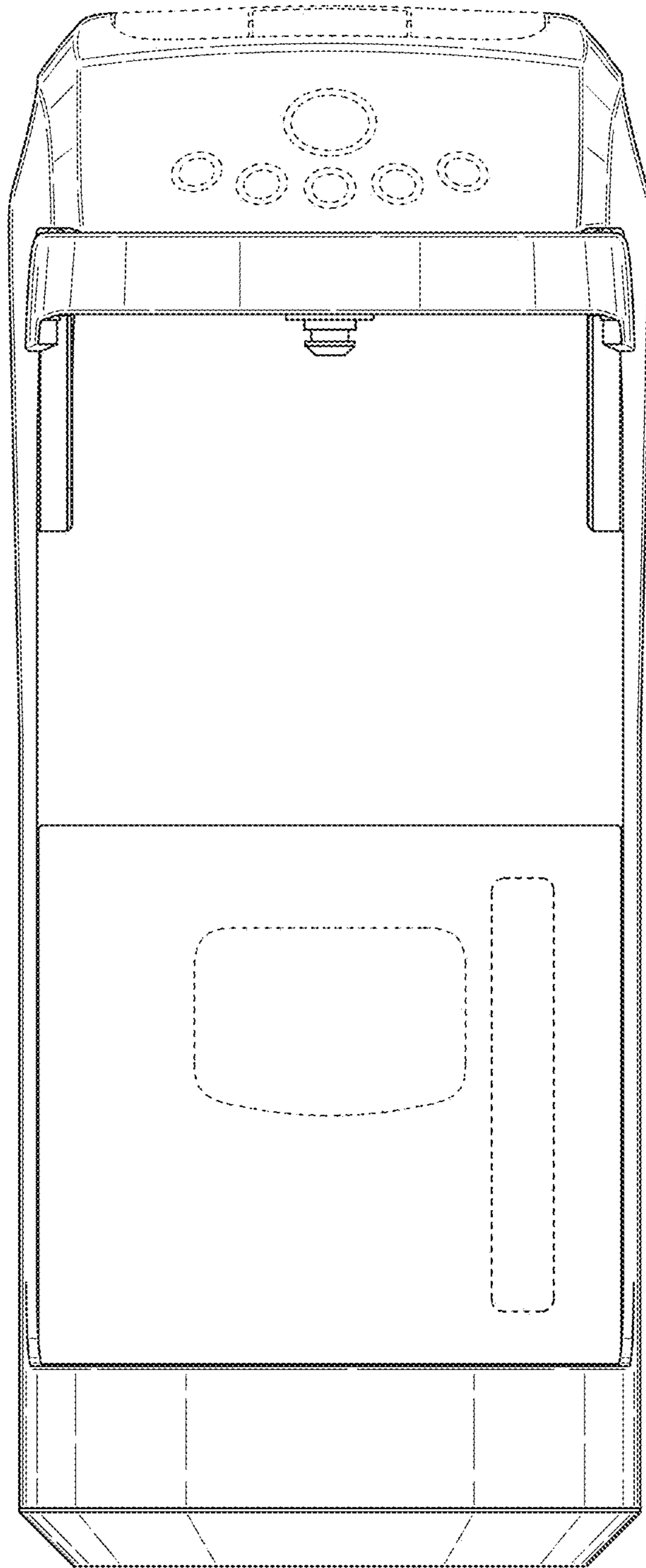


FIG. 3

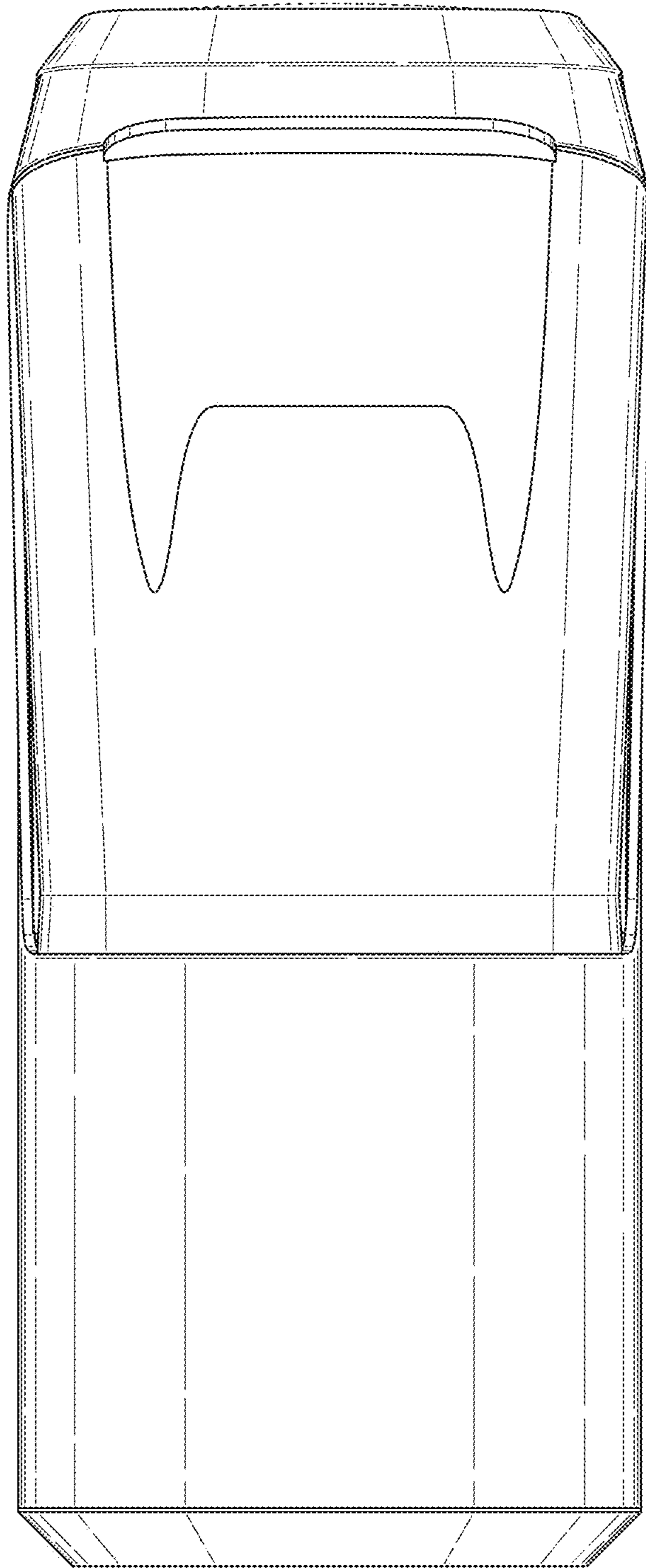


FIG. 4

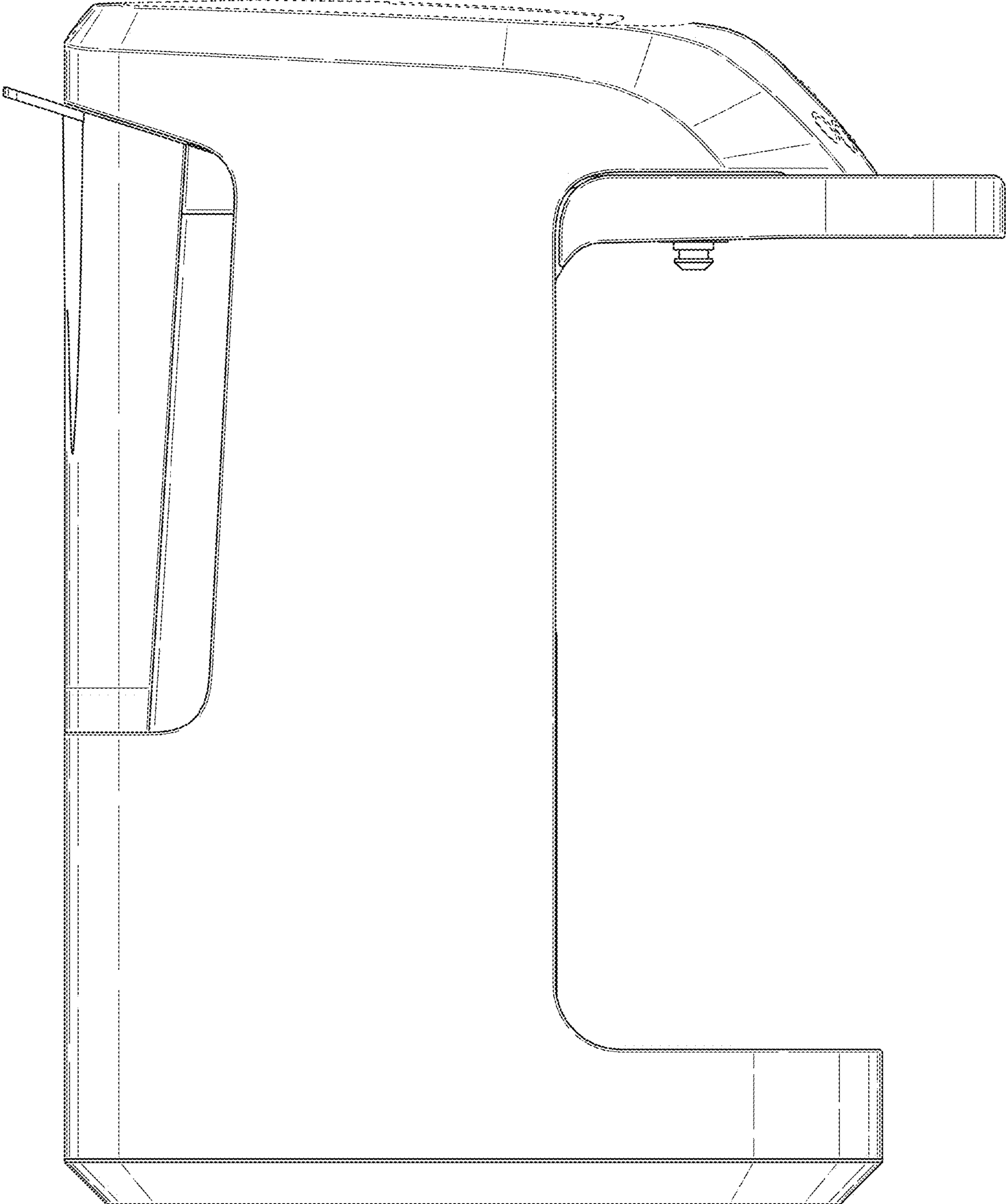


FIG. 5

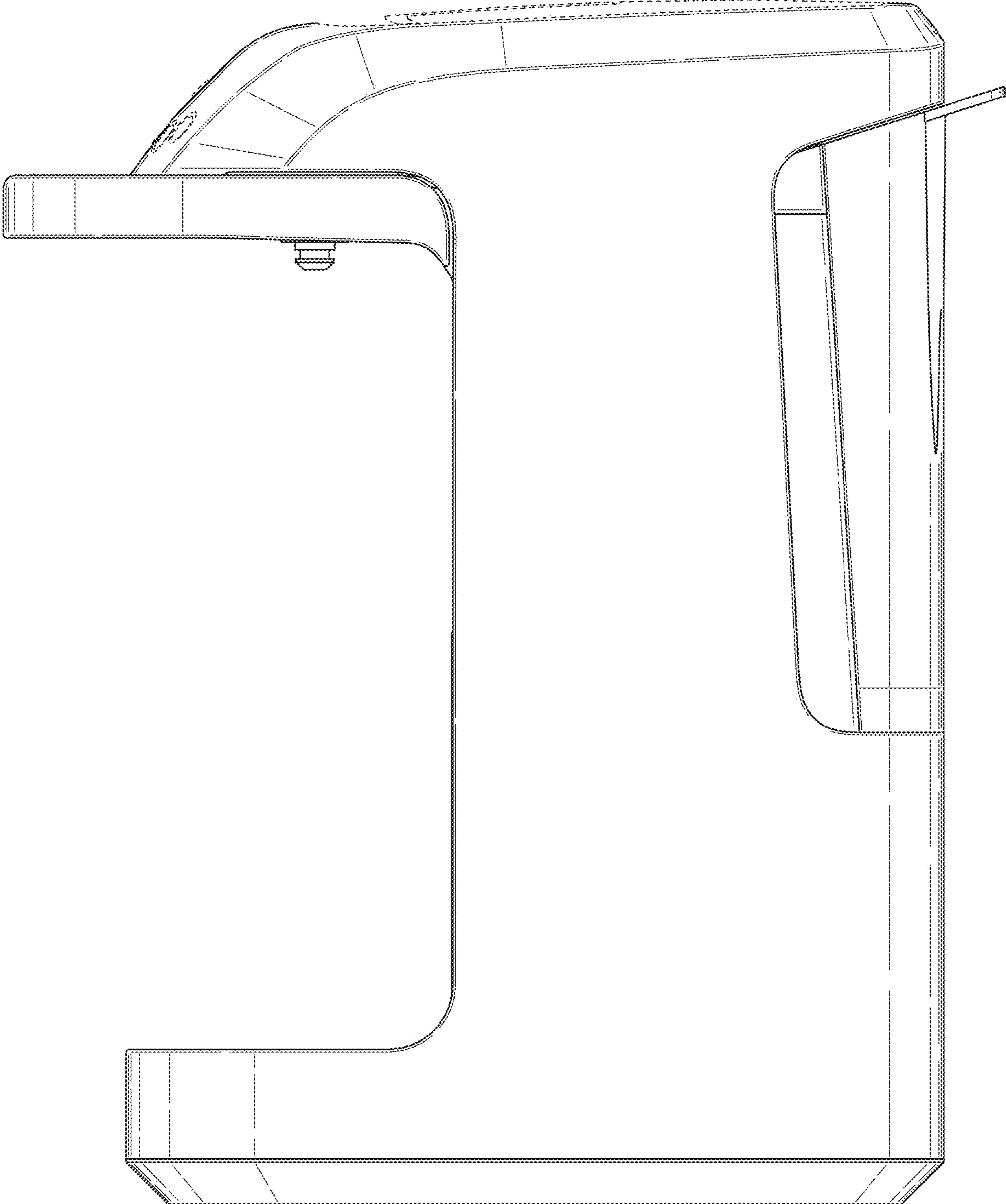


FIG. 6

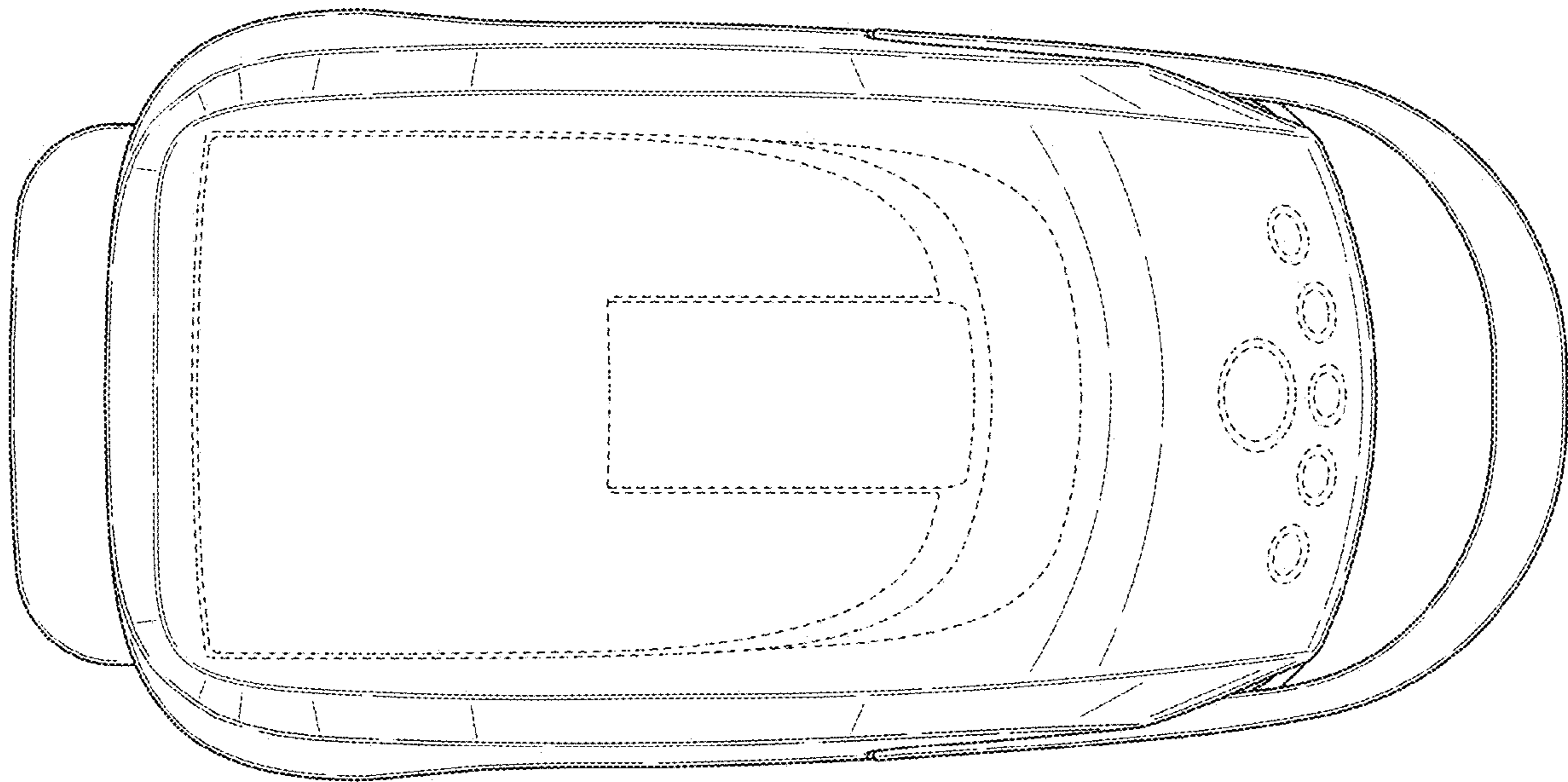


FIG. 7

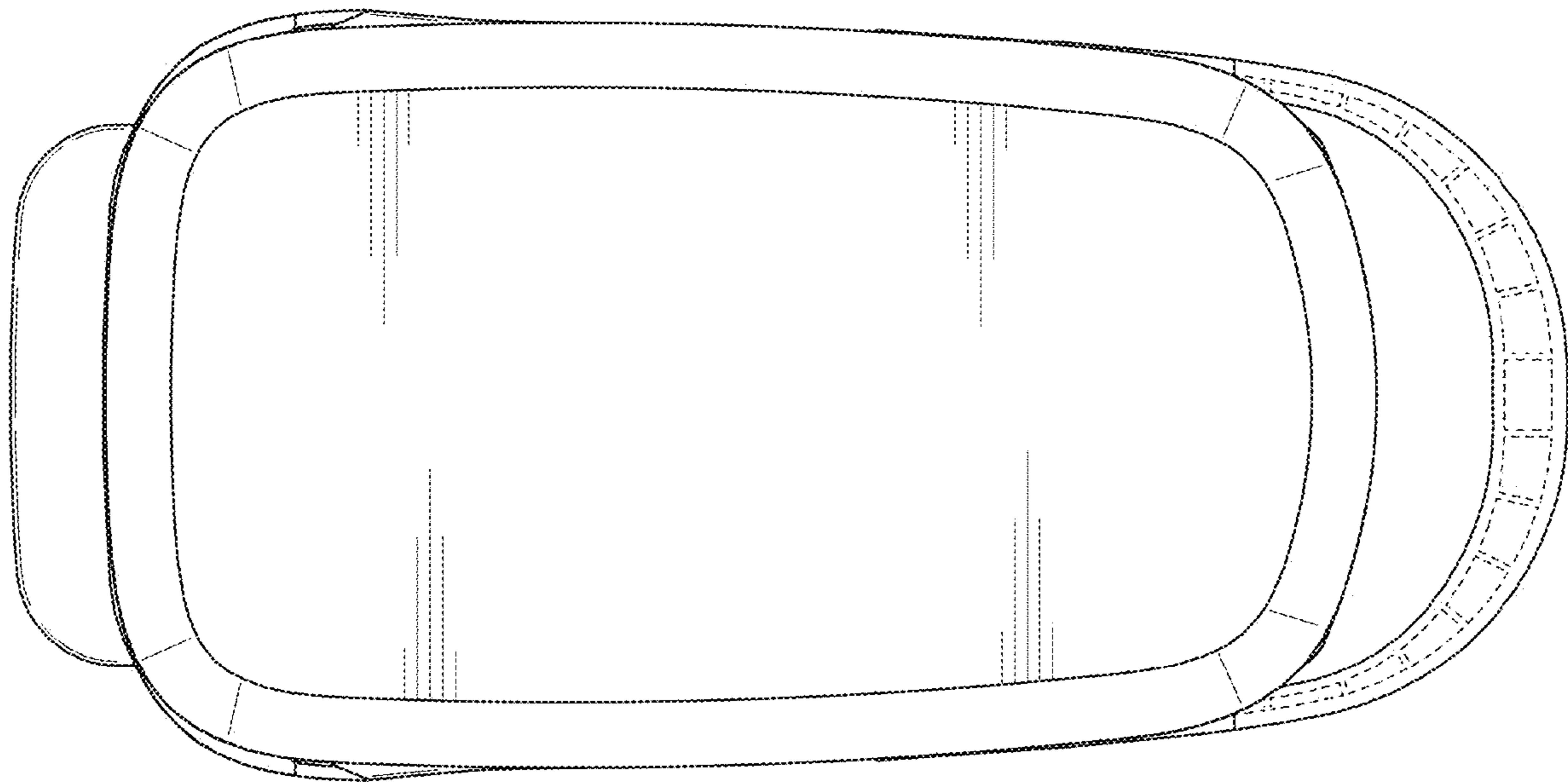


FIG. 8