



US00D888485S

(12) **United States Design Patent** (10) **Patent No.:** **US D888,485 S**
Kim (45) **Date of Patent:** **** Jun. 30, 2020**

(54) **WATER PURIFIER FOR HOT AND COOL WATER**

D823,628 S * 7/2018 Steiner D7/309
D856,058 S * 8/2019 Szabo D7/306
D872,225 S * 1/2020 Joo D23/207
2013/0129871 A1* 5/2013 Ye A23F 3/18
426/115

(71) Applicant: **Cuckoo Homesys Co., Ltd**, Siheung-si (KR)

(72) Inventor: **Young Ki Kim**, Yangsan-si (KR)

(73) Assignee: **CUCKOO HOMESYS CO., LTD.** (KR)

(**) Term: **15 Years**

(21) Appl. No.: **29/656,565**

(22) Filed: **Jul. 13, 2018**

(30) **Foreign Application Priority Data**

May 17, 2018 (KR) 30-2018-0022890

(51) **LOC (12) Cl.** **07-01**

(52) **U.S. Cl.**
USPC **D7/306**; D7/313; D23/207; D23/209

(58) **Field of Classification Search**
USPC D7/305-311, 313, 300; 222/129.1, 222/146.6; D6/542; D23/207, 209
CPC B67D 1/0054; B67D 1/36; B67D 2210/0065; B67D 1/0864; B67D 1/0009; B67D 3/0061; A47J 31/46; A47J 31/4482; A47J 31/369; A47J 31/407; A47J 31/10; A47J 31/467; A47J 31/0615; A47J 31/32
See application file for complete search history.

(56) **References Cited**

U.S. PATENT DOCUMENTS

D667,674 S * 9/2012 Wilder D7/306
D672,188 S * 12/2012 Luippold D7/306
D742,156 S * 11/2015 Harris D7/306
D769,661 S * 10/2016 Palermo D7/306
D786,602 S * 5/2017 Palermo D7/306
D795,628 S * 8/2017 Roberts D6/542
D801,506 S * 10/2017 Sevy D23/366
D803,611 S * 11/2017 Hanneson D7/306

OTHER PUBLICATIONS

Author Unknown, Direct Method for Cold, Hot and Purified Water, Model Name WPU-A700C, The date is not known, but it is requested that this be considered as prior art for purposes of examination.

Jong-Yoon Yu; Water Purifier for Cold and Hot Water, Publication Date: May 23, 2018, Registration Design No. 30-0957610; Application No. 30-2017-0053590, filed Nov. 16, 2017.

Xiao Shu; Drinking Fountain (large flow); Application No. 201630269137.7 filing date Jun. 22, 2016 Authorization notice No. CB 303940262 S, Authorization announcement day: Nov. 23, 2016.

* cited by examiner

Primary Examiner — Marianne N Pandozzi

(74) *Attorney, Agent, or Firm* — Luedeka Neely Group, PC

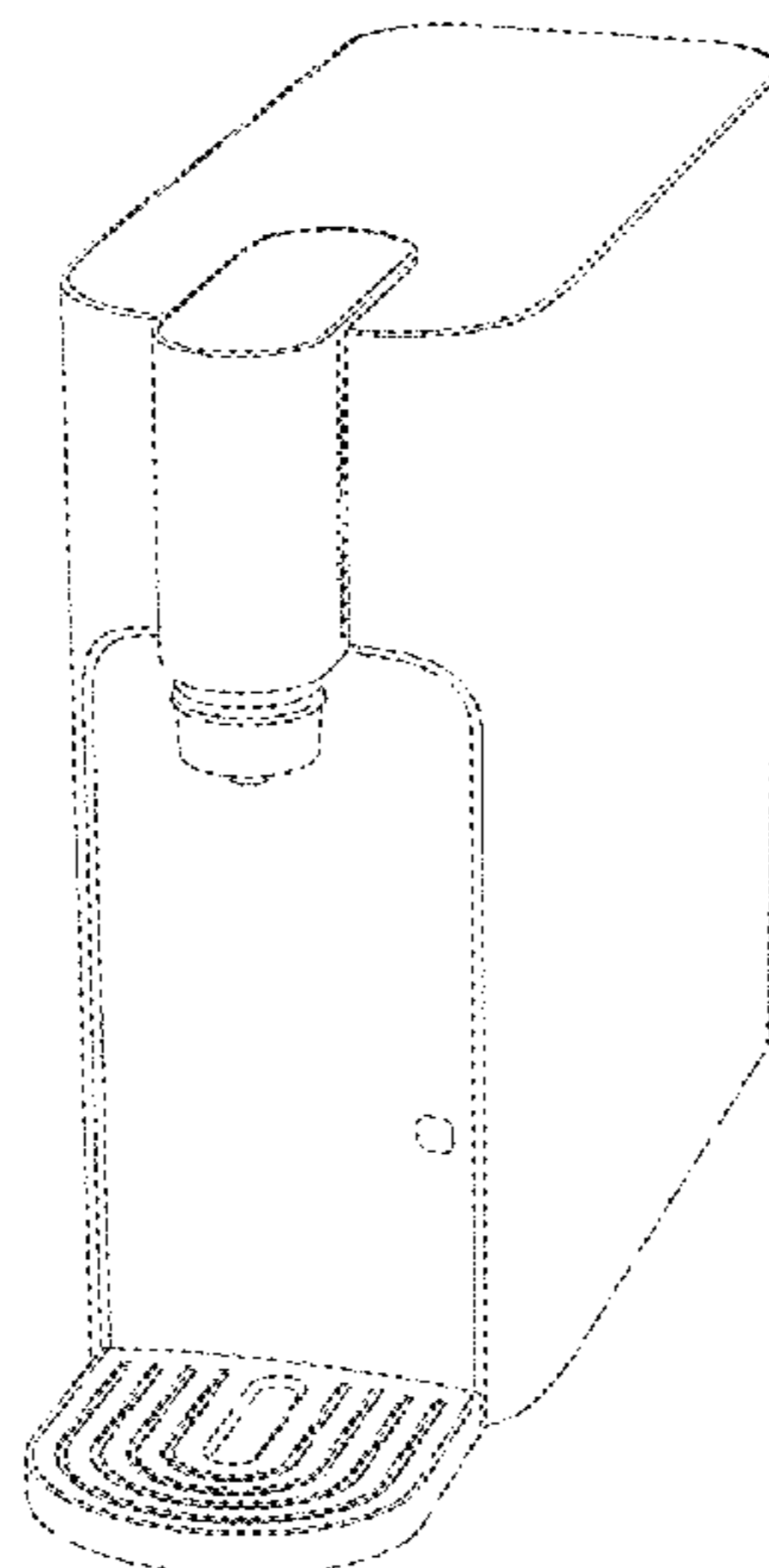
(57) **CLAIM**

The ornamental design of a water purifier for hot and cool water, as shown and described.

DESCRIPTION

FIG. 1 is a perspective view of a water purifier for hot and cold water showing my new design;
FIG. 2 is a front view thereof;
FIG. 3 is a rear view thereof;
FIG. 4 is a left side view thereof;
FIG. 5 is a right side view thereof;
FIG. 6 is a top view thereof;
FIG. 7 is a bottom view thereof;
FIG. 8 is a perspective view thereof showing a water discharge unit extended in a downward direction; and,
FIG. 9 is a perspective view thereof showing the water discharge unit protruded in a frontward direction.

1 Claim, 9 Drawing Sheets



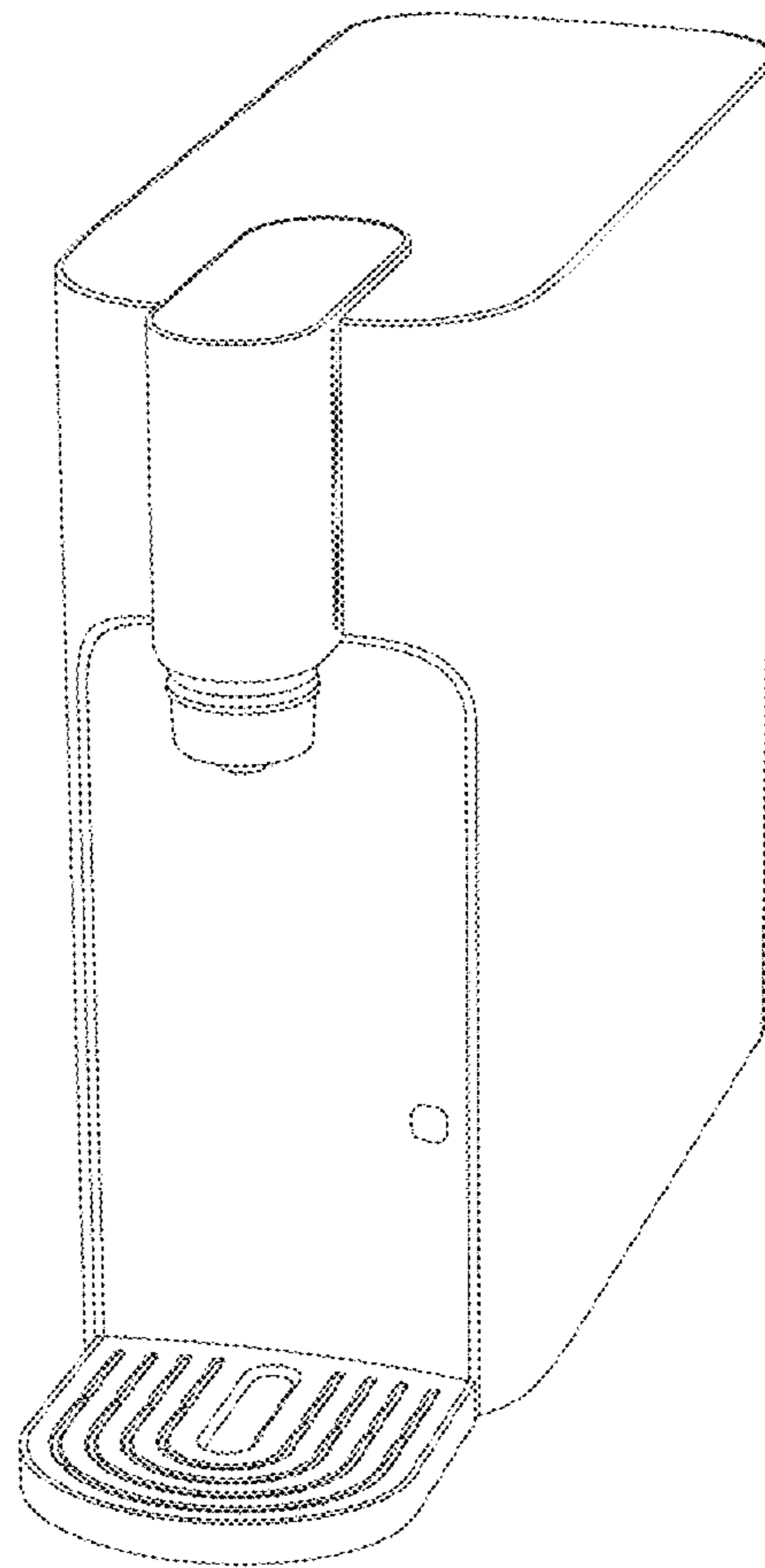


FIG. 1

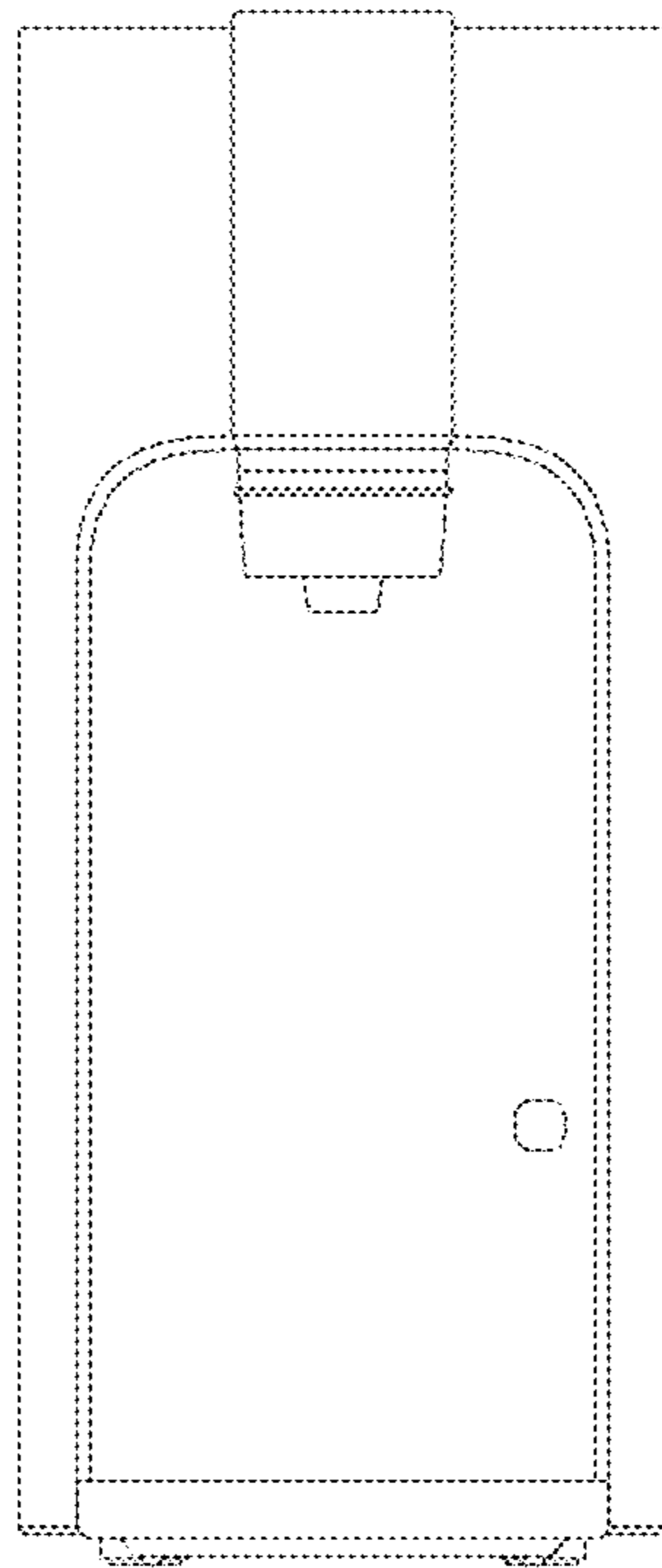


FIG. 2



FIG. 3

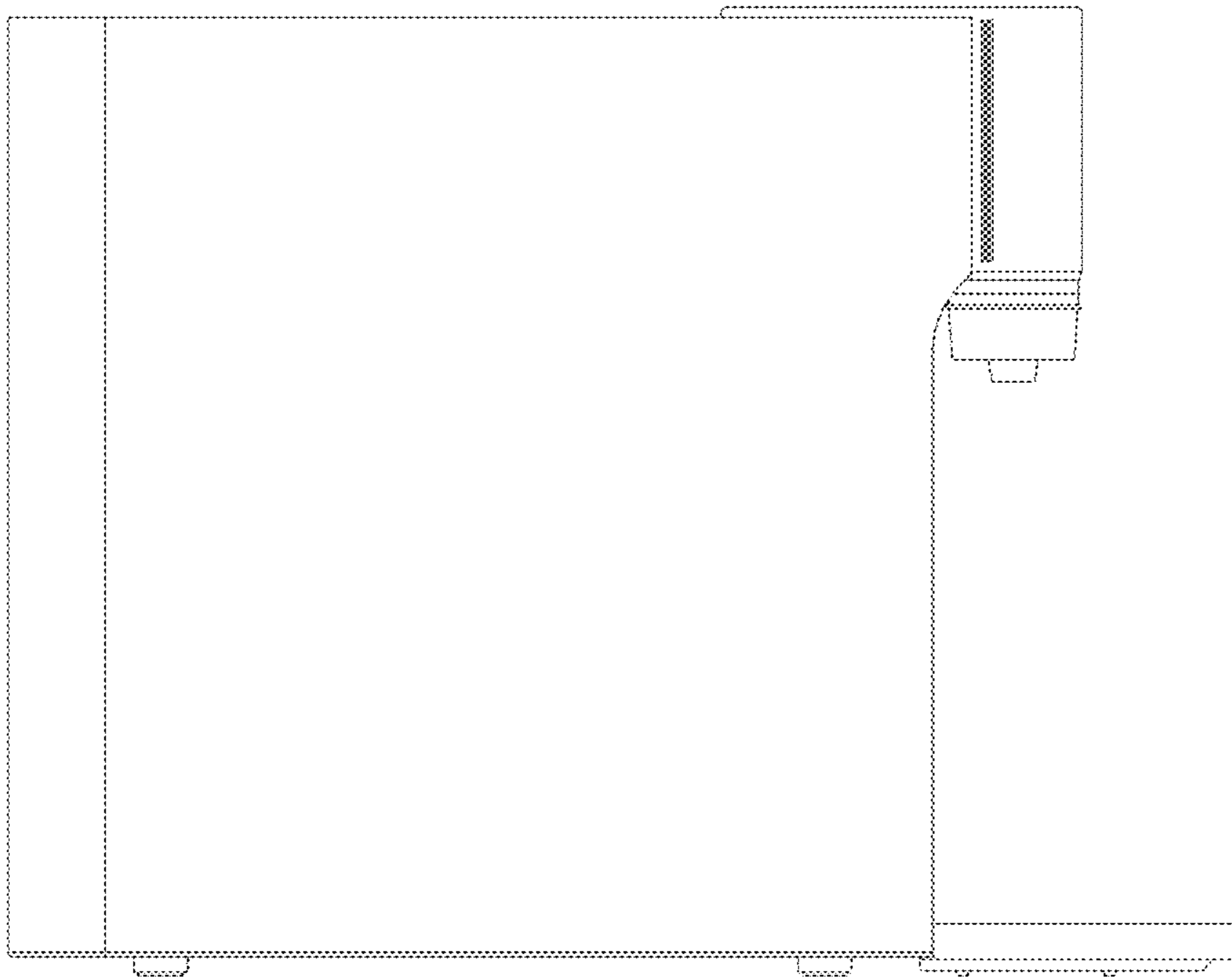


FIG. 4

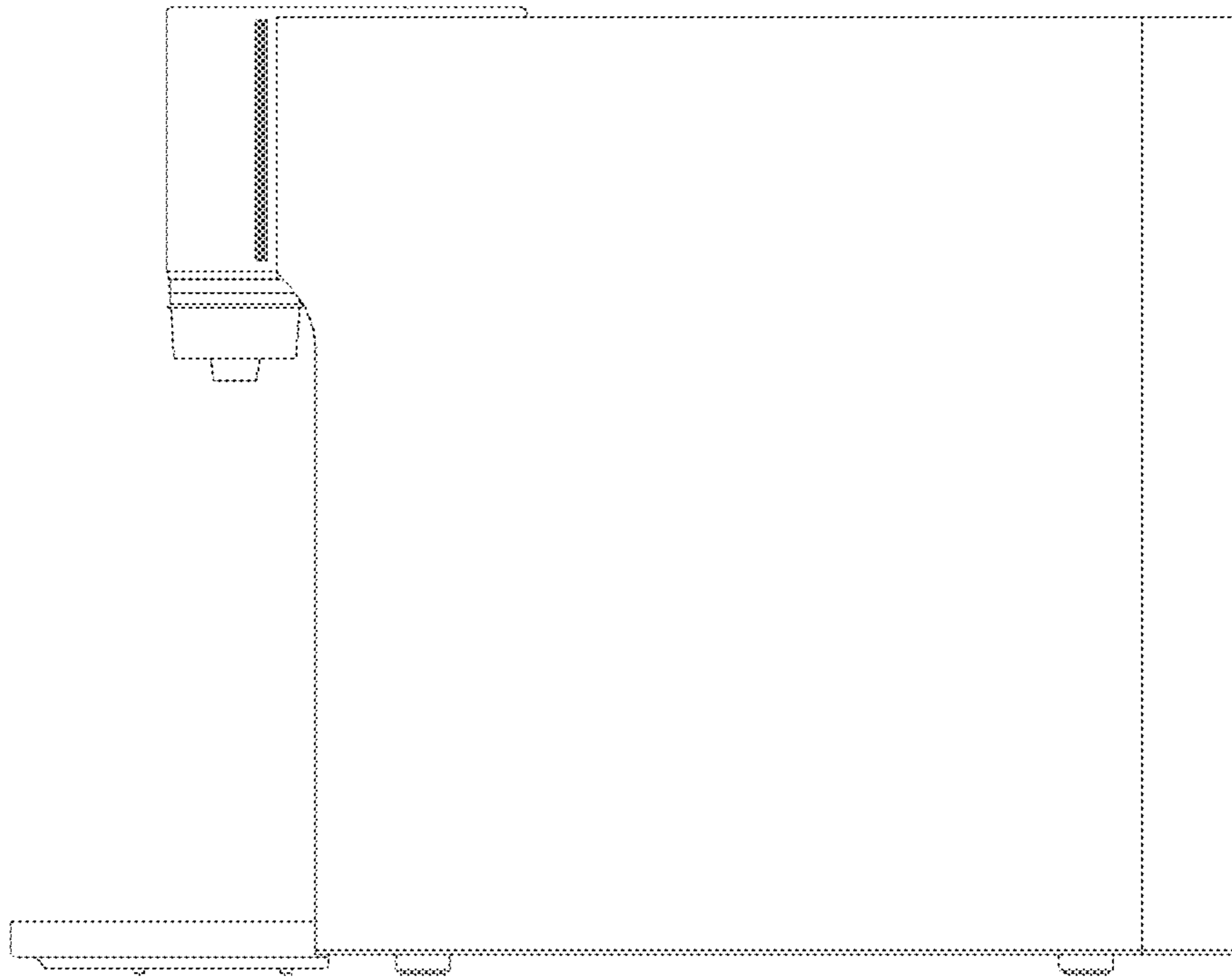


FIG. 5

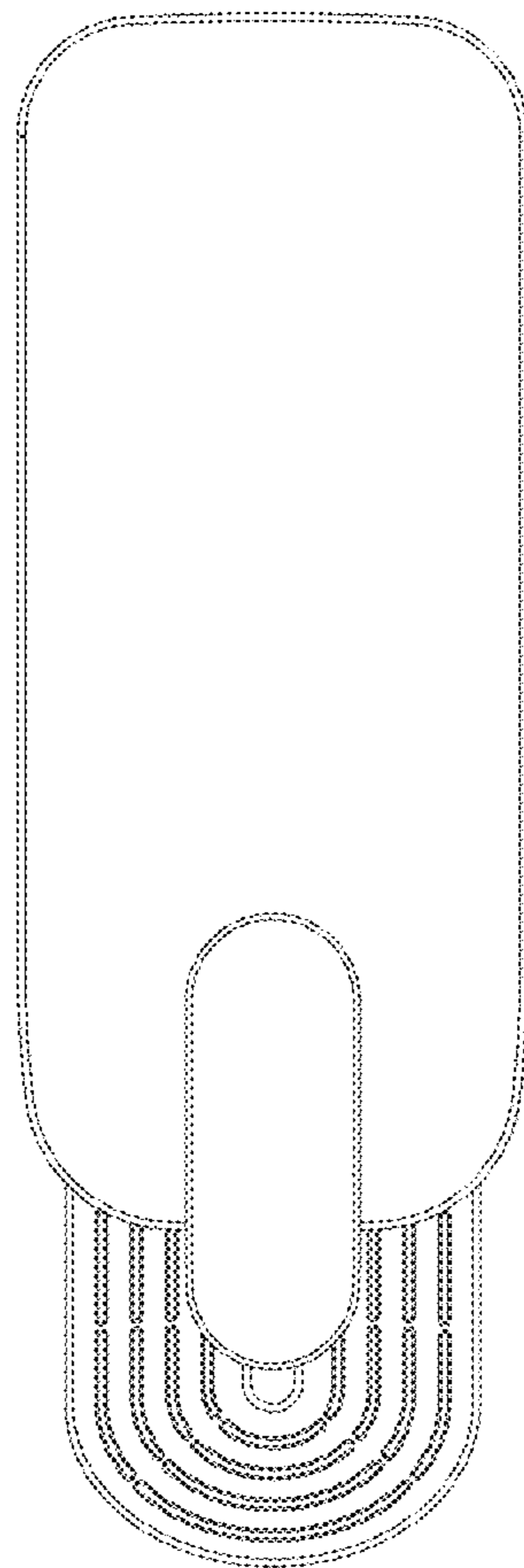


FIG. 6

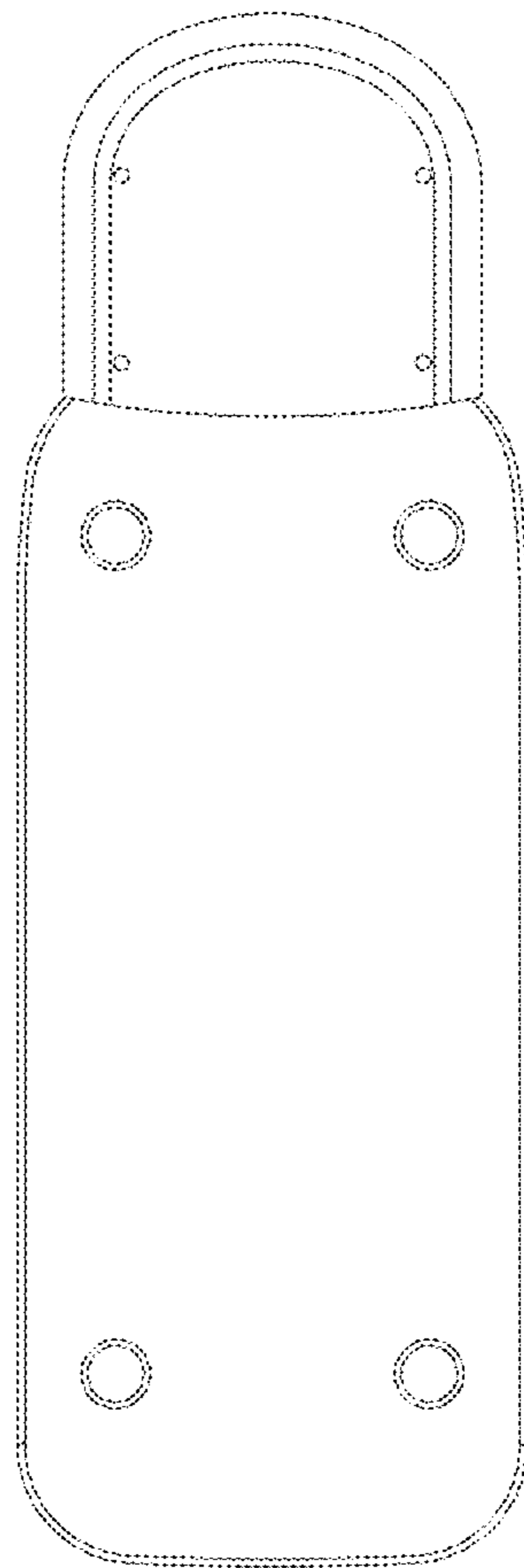


FIG. 7

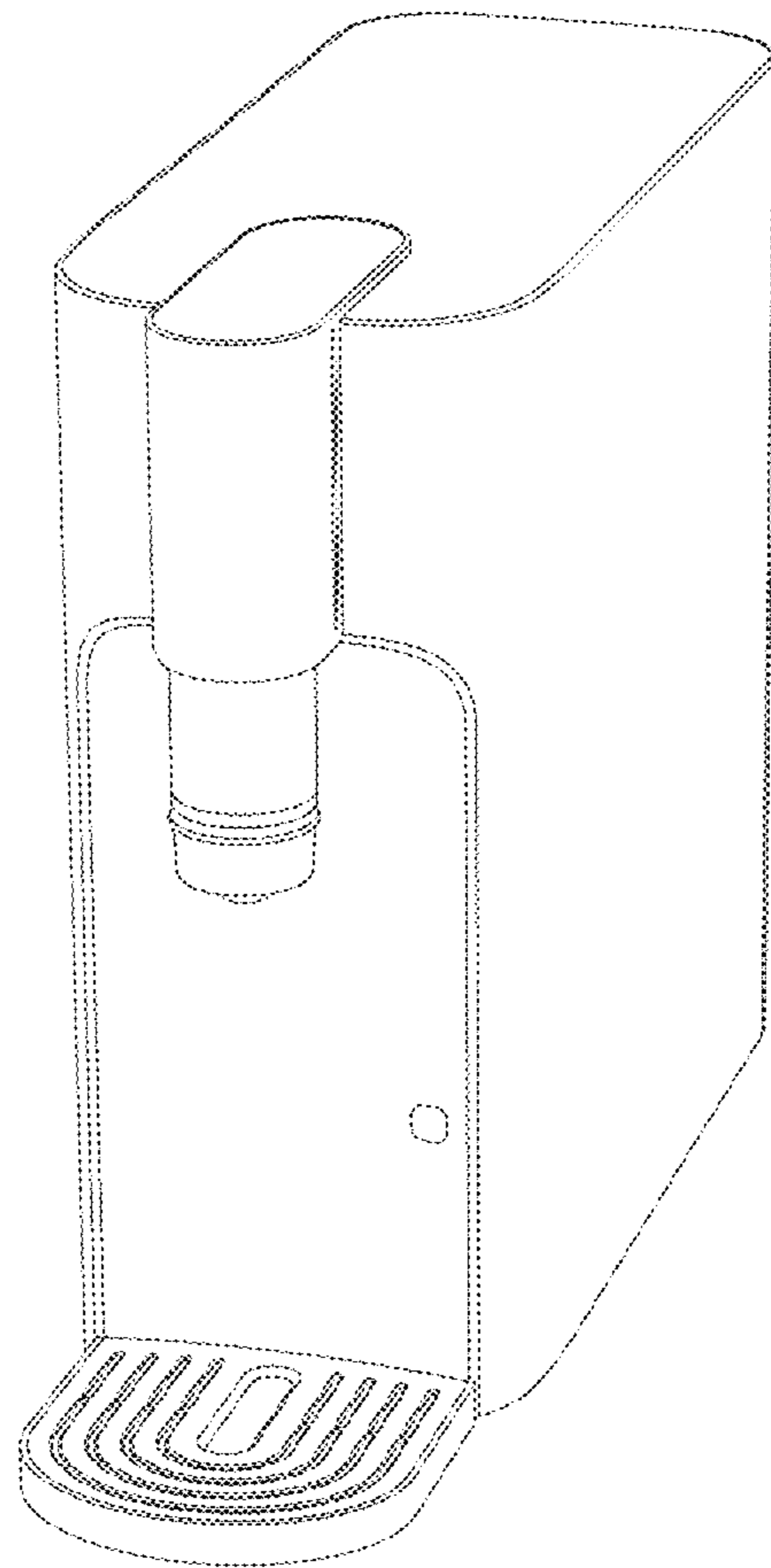


FIG. 8

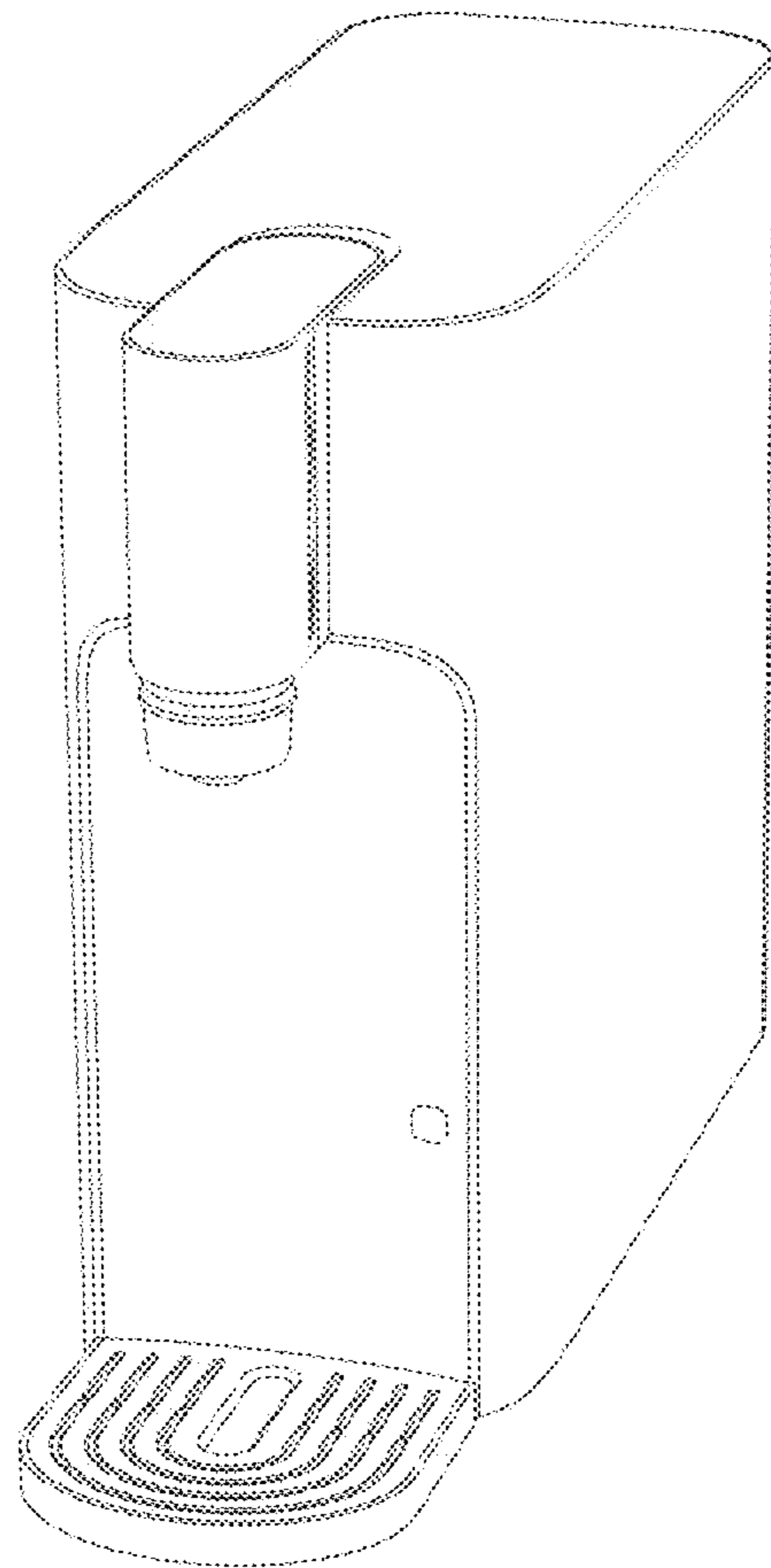


FIG. 9