



US00D888484S

(12) **United States Design Patent** (10) **Patent No.:** **US D888,484 S**  
**Vazin** (45) **Date of Patent:** **\*\* Jun. 30, 2020**

- (54) **DISPENSER JAR**
- (71) Applicant: **AMERICAN MAID PLASTIC COMPANY**, Riverside, CA (US)
- (72) Inventor: **Moe Vazin**, Rancho Palos Verdes, CA (US)
- (73) Assignee: **AMERICAN MAID PLASTIC CO.**, Riverside, CA (US)
- (\*\*) Term: **15 Years**
- (21) Appl. No.: **29/742,115**
- (22) Filed: **Jan. 14, 2020**
- (51) **LOC (12) Cl.** ..... **07-01**
- (52) **U.S. Cl.**  
USPC ..... **D7/301; D7/306; D7/313**
- (58) **Field of Classification Search**  
USPC ..... **D7/301, 313, 306, 622, 397; D9/502**  
CPC ..... **B67D 1/08; B67D 1/00**  
See application file for complete search history.

- (56) **References Cited**  
U.S. PATENT DOCUMENTS
- D174,237 S \* 3/1955 Steling ..... D7/301
- 3,065,883 A \* 11/1962 Nelsonan, IV ..... B67D 1/0418  
222/323
- 3,065,885 A \* 11/1962 Chatten ..... B67D 1/0832  
222/400.7
- D206,463 S \* 12/1966 Federighi ..... D9/502
- D388,653 S \* 1/1998 Hsu ..... D7/302
- D396,382 S \* 7/1998 Hsu ..... D7/599

- D663,399 S \* 7/2012 Browder ..... D23/366
- D664,437 S \* 7/2012 Barel ..... D9/538
- D677,967 S \* 3/2013 Godinger ..... D7/301
- D700,842 S \* 3/2014 Lo ..... D9/538
- D716,094 S \* 10/2014 Wang ..... D7/306
- D734,672 S \* 7/2015 Laupie ..... D9/538
- D735,414 S \* 7/2015 Schlatter ..... D28/85
- D777,985 S \* 1/2017 Schlatter ..... D28/85
- D788,661 S \* 6/2017 Henstridge ..... D12/184
- D838,528 S \* 1/2019 Bueno Nunez ..... D7/306
- D850,837 S \* 6/2019 Bueno Nunez ..... D7/306
- D864,728 S \* 10/2019 Nieto ..... D9/600

\* cited by examiner

*Primary Examiner* — Marianne N Pandozzi  
(74) *Attorney, Agent, or Firm* — Jonathan E. Grant; Grant Patent Services

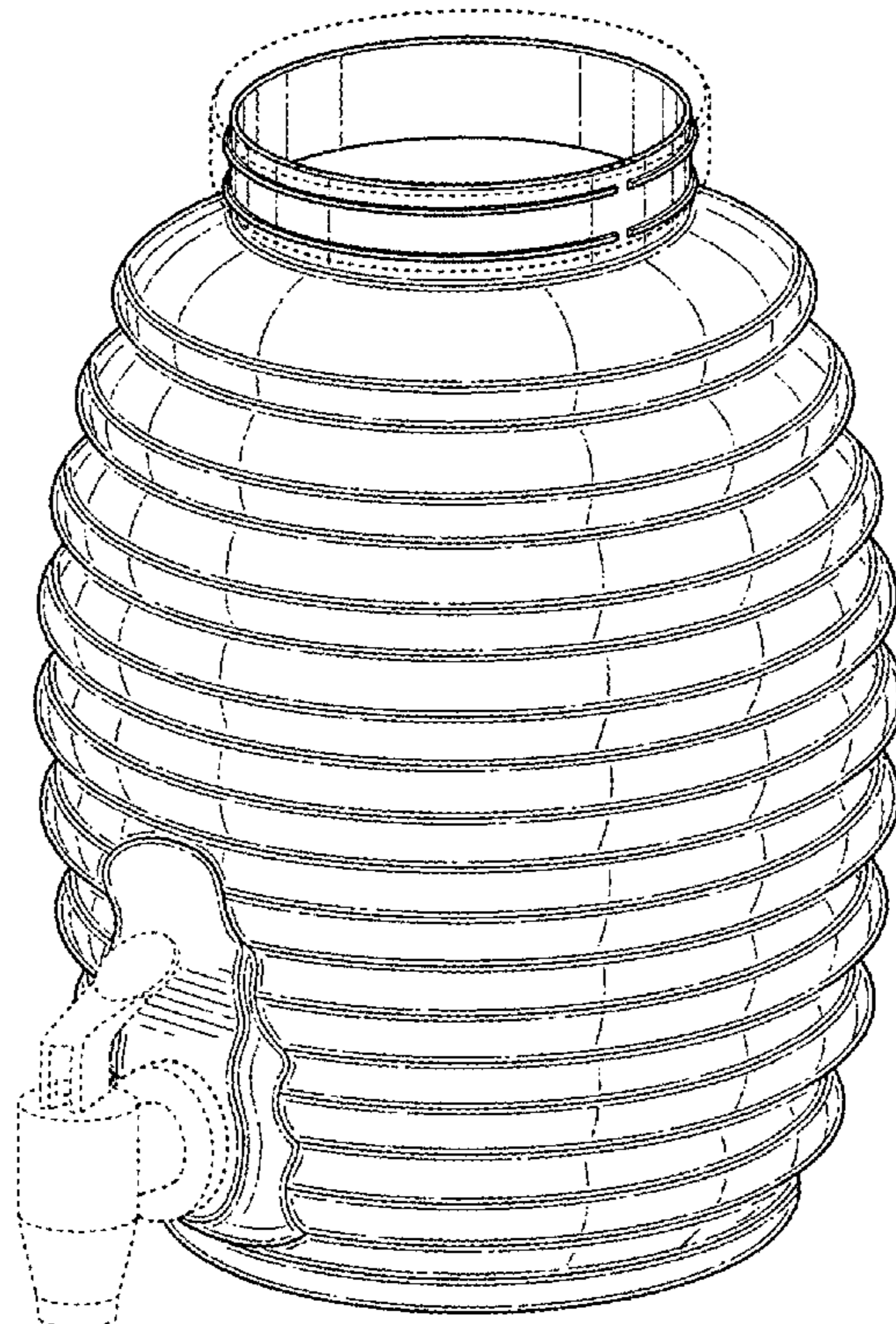
(57) **CLAIM**

I claim the ornamental design of the dispenser jar, as shown and described.

**DESCRIPTION**

FIG. 1 is a perspective view of a dispensing jar showing my new design;  
FIG. 2 is a left side view thereof;  
FIG. 3 is a right side view thereof;  
FIG. 4 is a rear view thereof;  
FIG. 5 is a front view thereof;  
FIG. 6 is a top plan view thereof;  
FIG. 7 is a bottom plan view thereof; and,  
FIG. 8 is another perspective view thereof.  
The broken lines in the drawing depict portions of the dispenser jar that form no part of the claimed design.

**1 Claim, 7 Drawing Sheets**



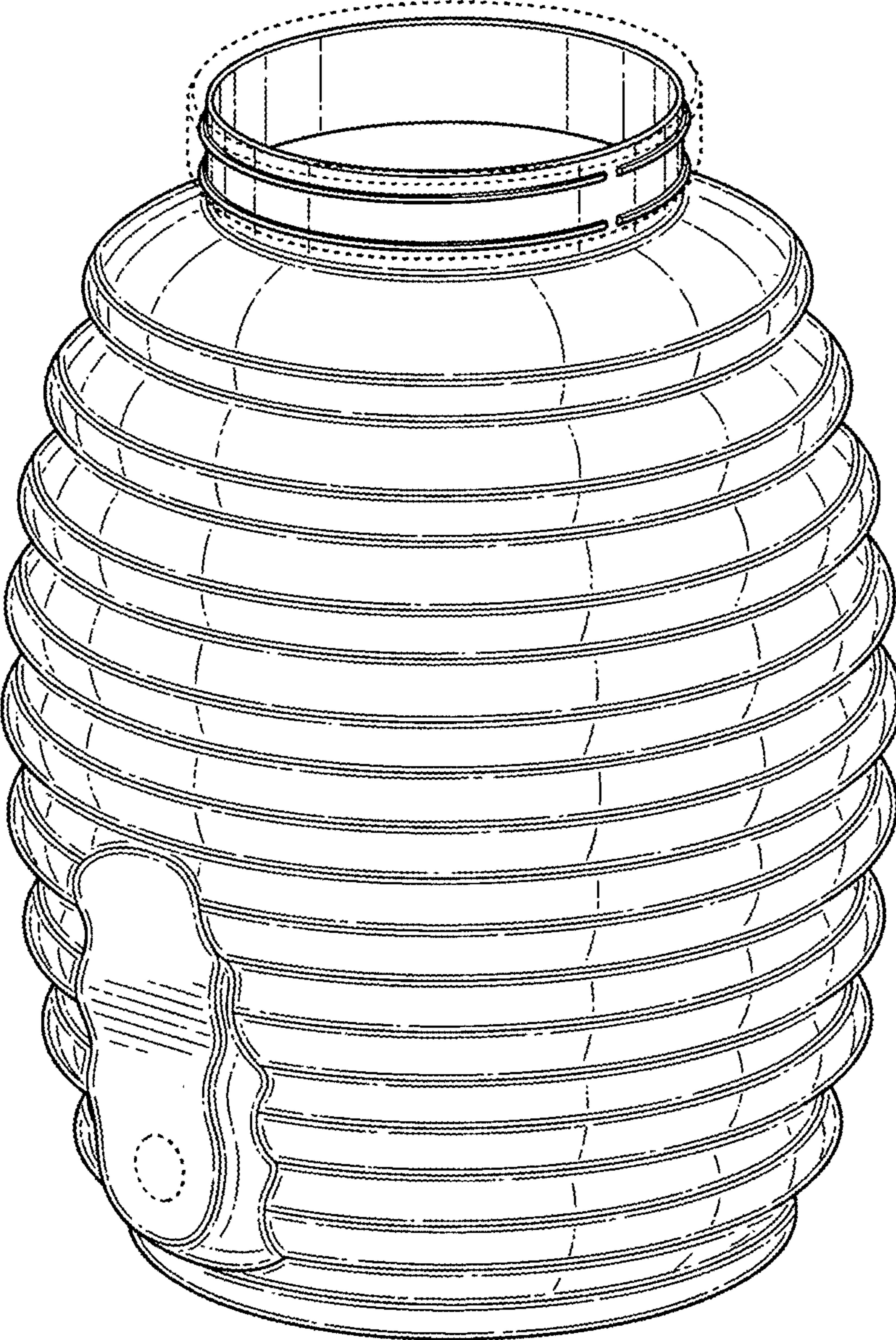


FIG. 1

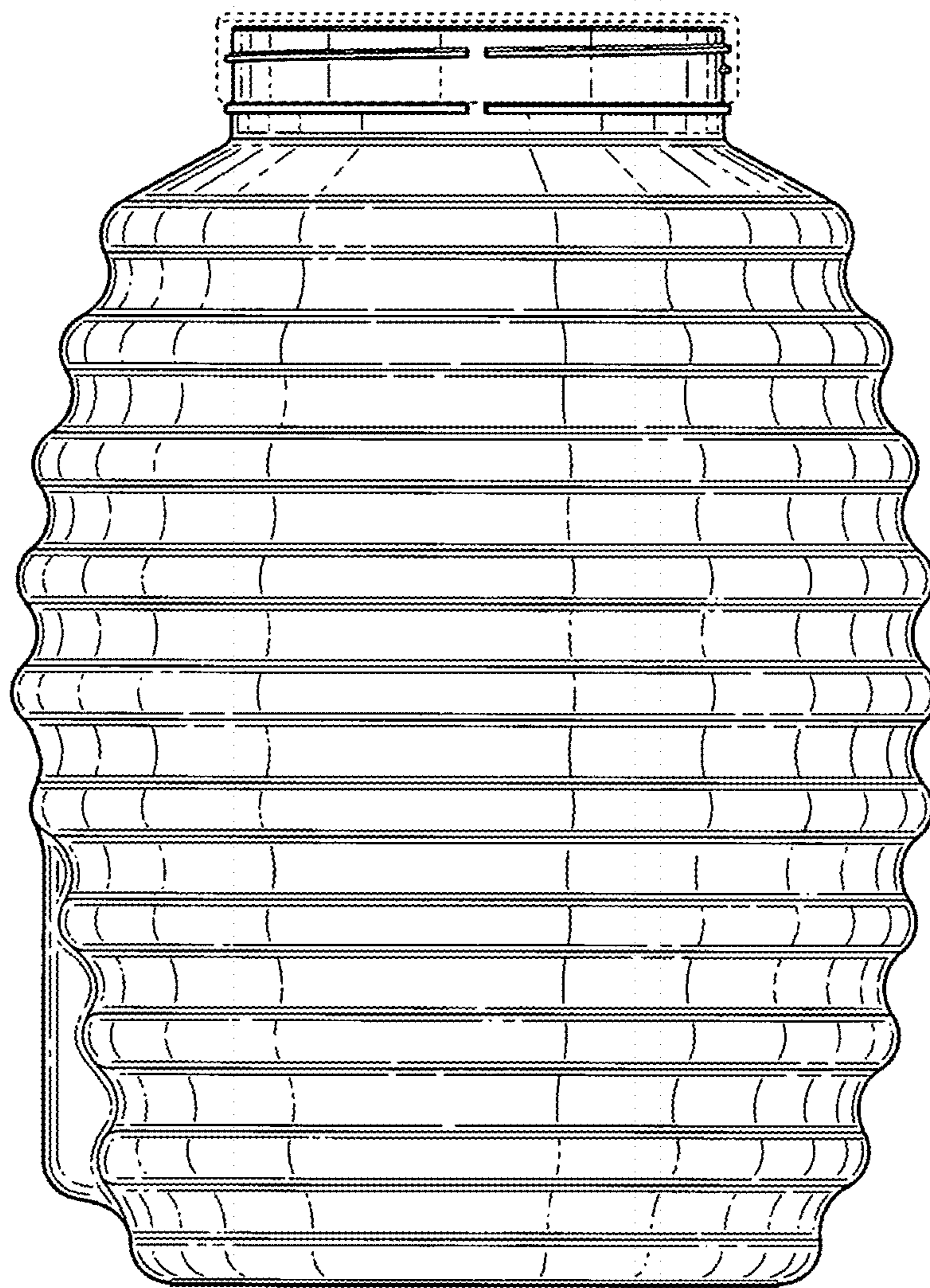


FIG. 2

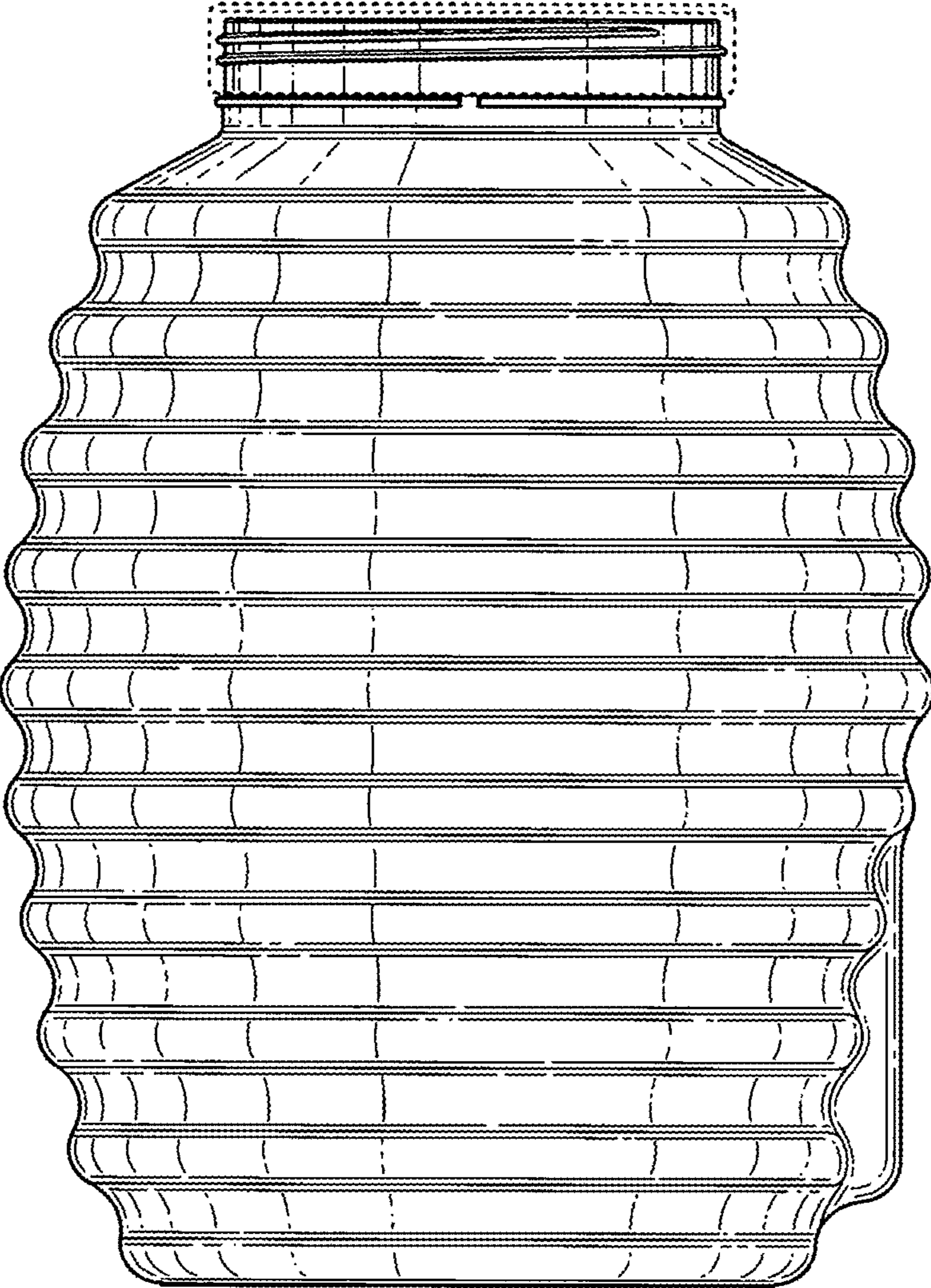


FIG. 3

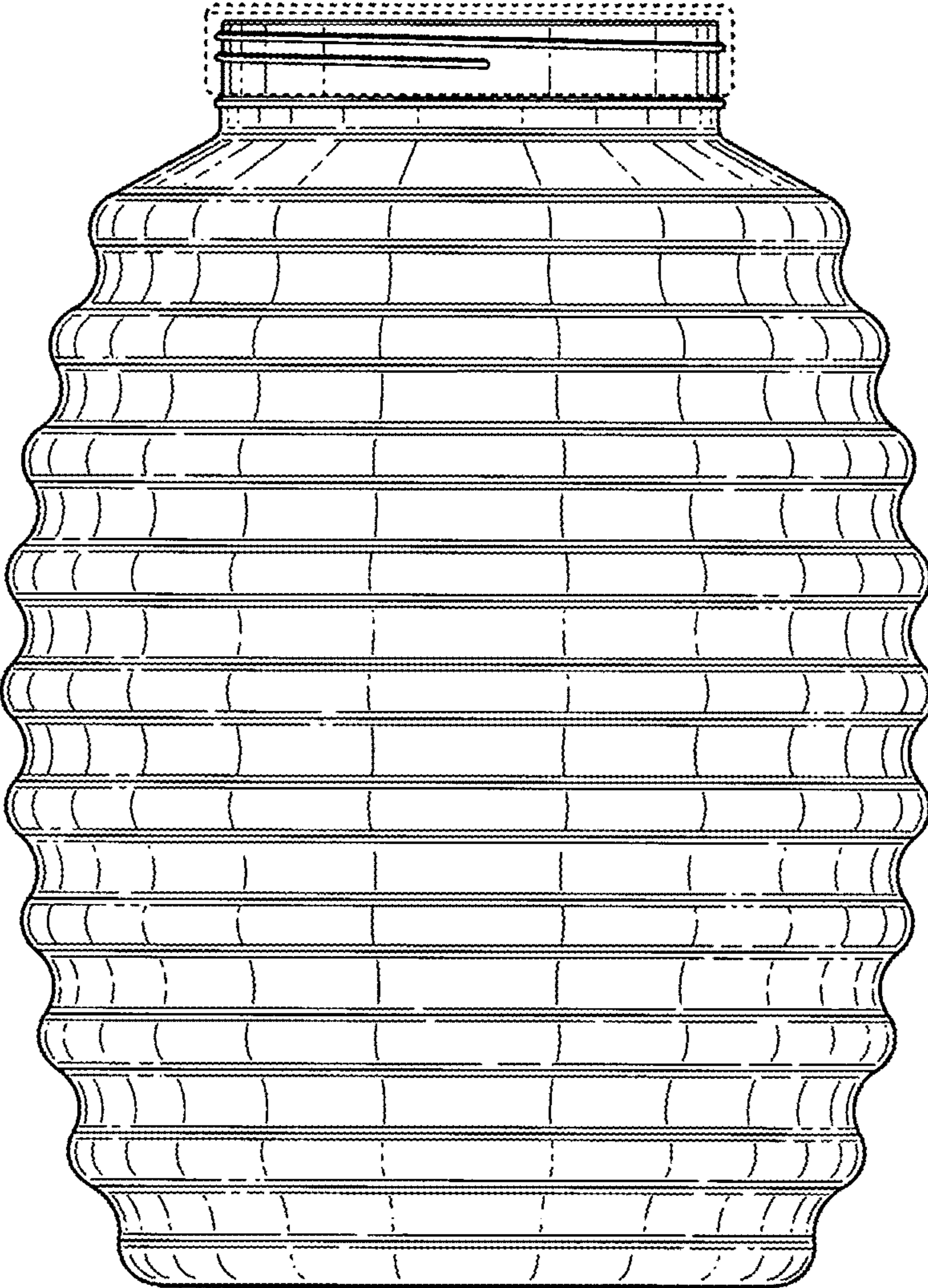


FIG. 4

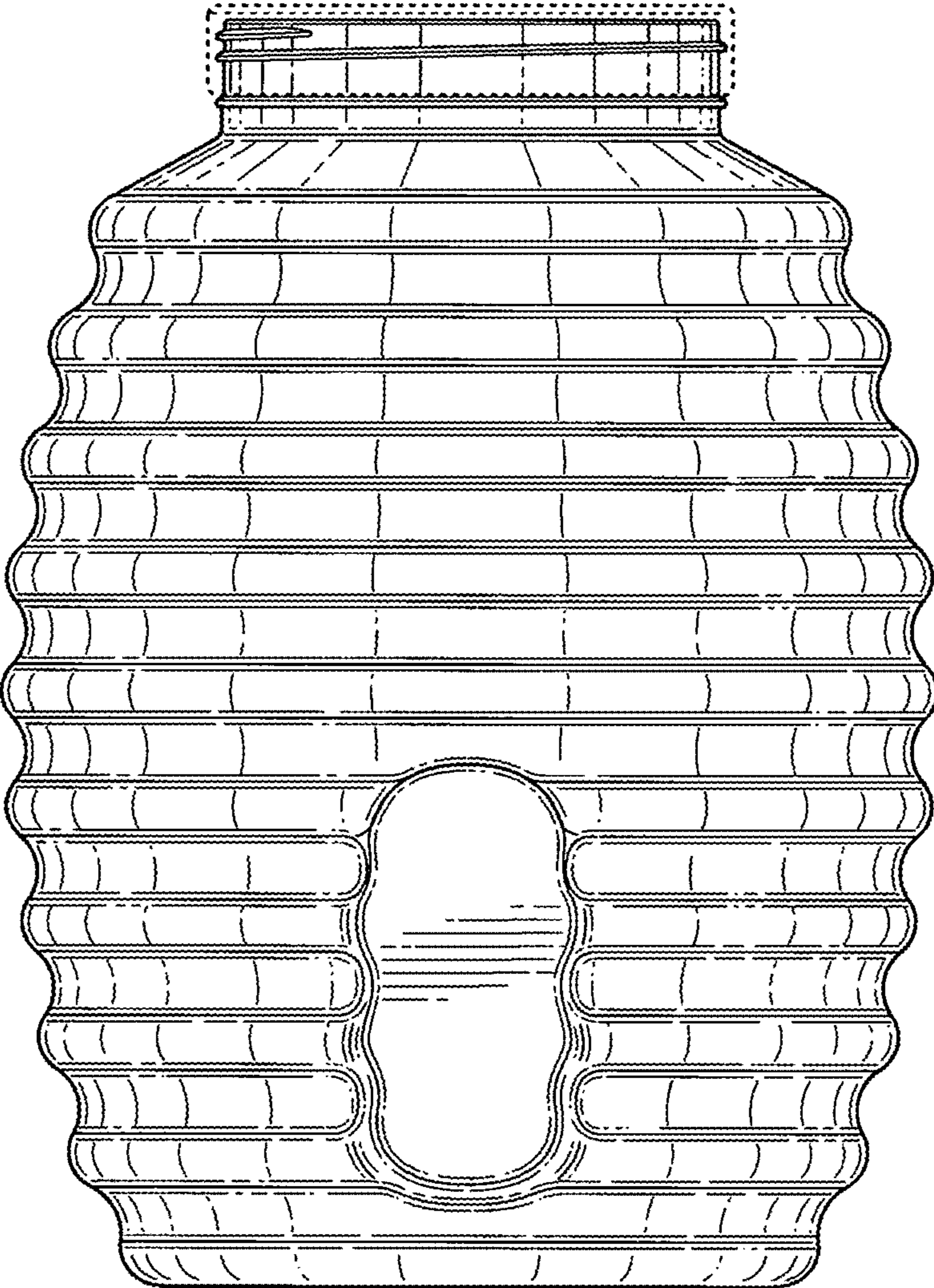
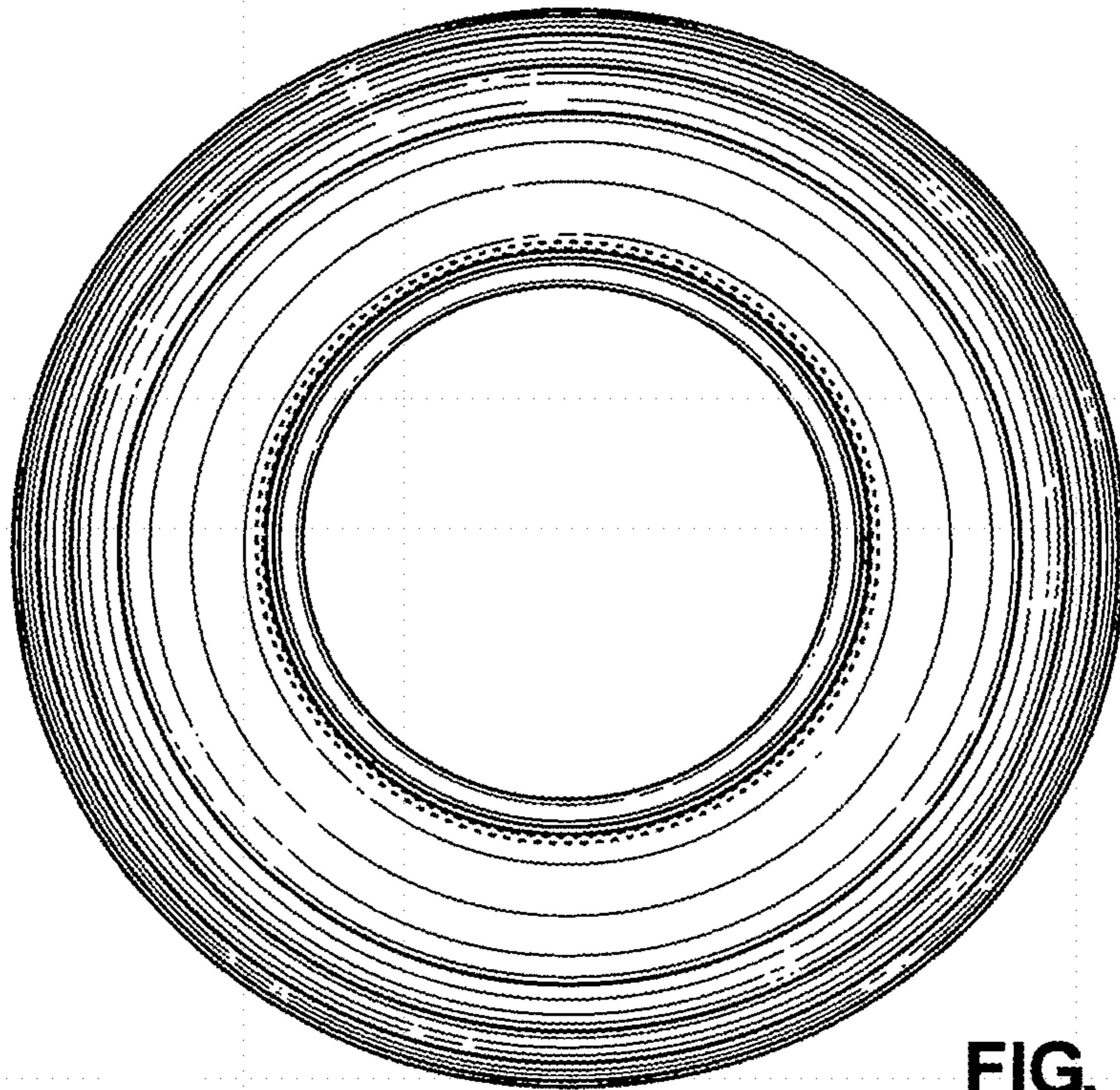
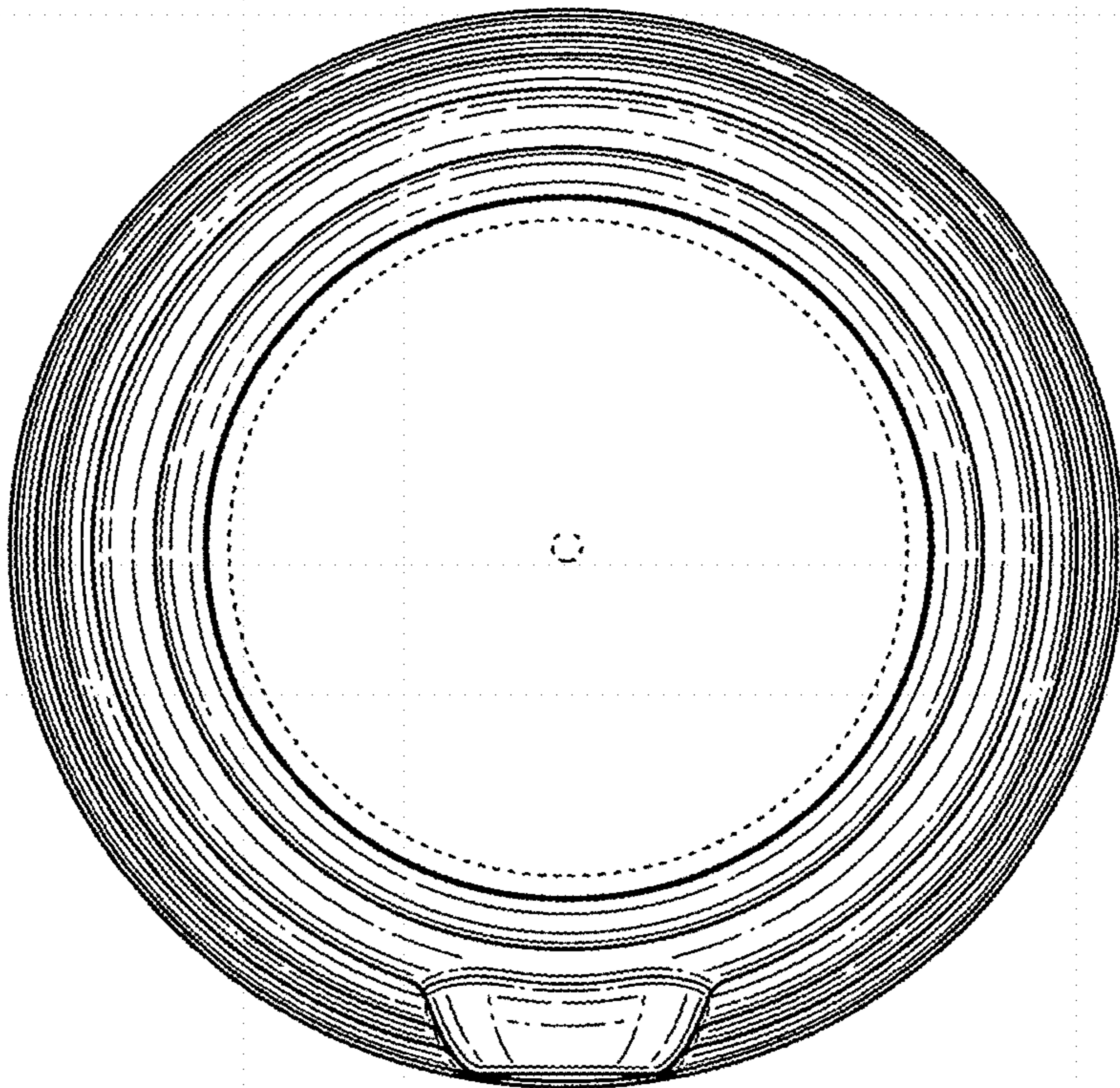


FIG. 5



**FIG. 6**



**FIG. 7**

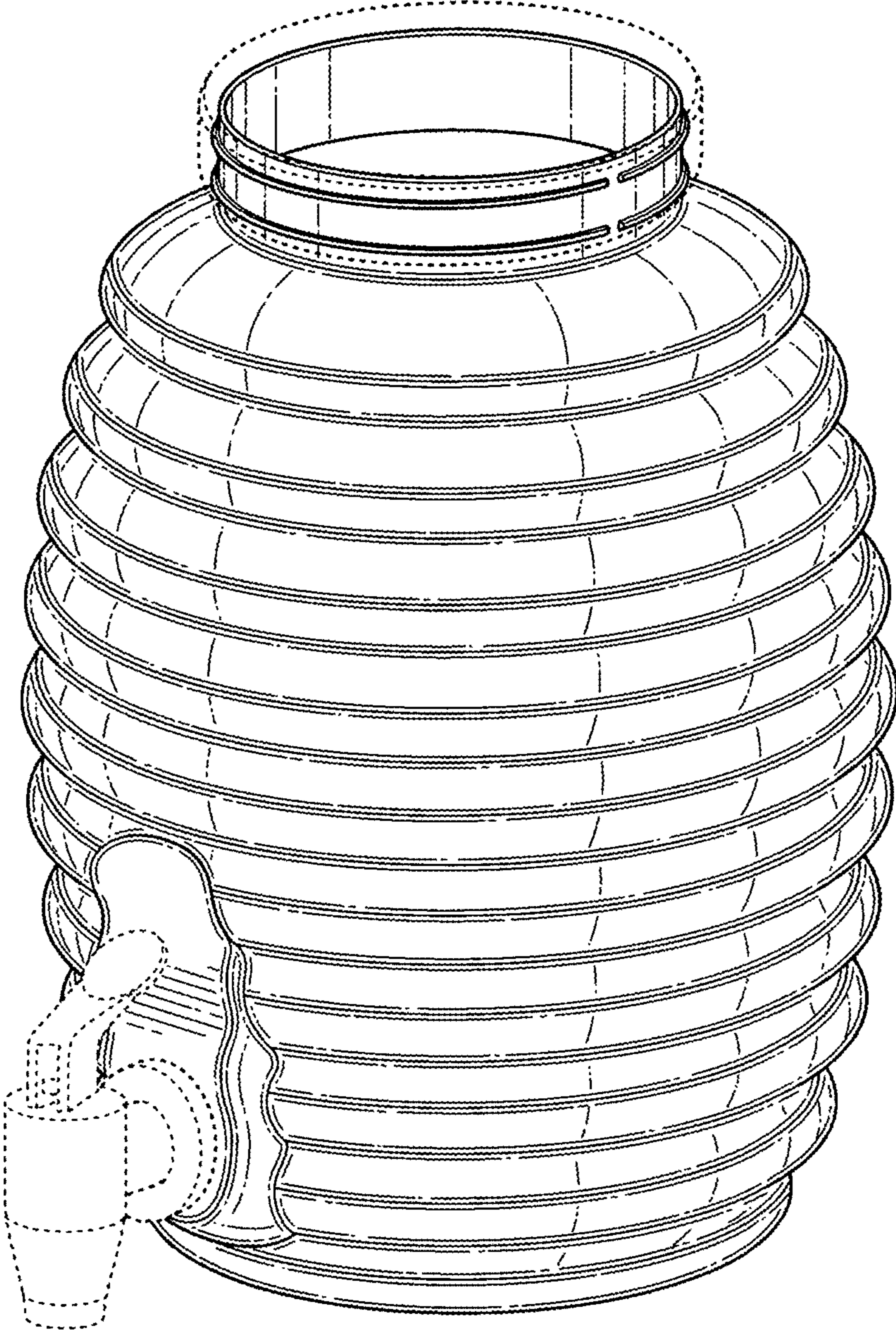


FIG. 8