



US00D888482S

(12) **United States Design Patent**
Guelfo

(10) **Patent No.:** **US D888,482 S**

(45) **Date of Patent:** **** Jun. 30, 2020**

(54) **CHAIR**

(71) Applicant: **Okamura Corporation**, Yokohama-shi,
Kanagawa (JP)

(72) Inventor: **Nicola Guelfo**, Moncalieri Turin (IT)

(73) Assignee: **Okamura Corporation**, Yokohama-shi,
Kanagawa (JP)

(**) Term: **15 Years**

(21) Appl. No.: **29/684,240**

(22) Filed: **Mar. 19, 2019**

(30) **Foreign Application Priority Data**

Sep. 20, 2018 (JP) 2018-020481

(51) **LOC (12) Cl.** **06-01**

(52) **U.S. Cl.**
USPC **D6/716.4; D6/366**

(58) **Field of Classification Search**
USPC D6/334-336, 364, 365, 366, 374, 379,
D6/380, 716, 716.1, 716.2, 716.4
CPC A47C 7/004; A47C 7/006; A47C 7/02;
A47C 7/18; A47C 7/24; A47C 7/282;
A47C 7/40; A47C 7/44; A47C 7/46;
A47C 7/54; B60N 2/66

See application file for complete search history.

(56) **References Cited**

U.S. PATENT DOCUMENTS

D727,075 S * 4/2015 Usumoto D6/716
D727,076 S * 4/2015 Usumoto D6/366

D766,605 S * 9/2016 Li D6/366
D785,390 S * 5/2017 Tong D6/716
D795,602 S * 8/2017 Neil D6/366
D867,004 S * 11/2019 Ballendat D6/366

* cited by examiner

Primary Examiner — Mimoso De

(74) *Attorney, Agent, or Firm* — Sughrue Mion, PLLC

(57) **CLAIM**

The ornamental design for a chair, as shown and described.

DESCRIPTION

FIG. 1 is a front perspective view of a chair showing my design;
FIG. 2 is a rear perspective view thereof;
FIG. 3 is a front elevation view thereof;
FIG. 4 is a rear elevation view thereof;
FIG. 5 is a left side elevation view thereof;
FIG. 6 is a right side elevation view thereof;
FIG. 7 is a top plan view thereof; and,
FIG. 8 is a bottom plan view thereof.

The broken lines shown in the drawings illustrate portions that form no part of the claimed design.

The backrest sheet and the seat of the chair are made of mesh and the mesh pattern of the backrest sheet forms no part of the claimed design.

1 Claim, 8 Drawing Sheets

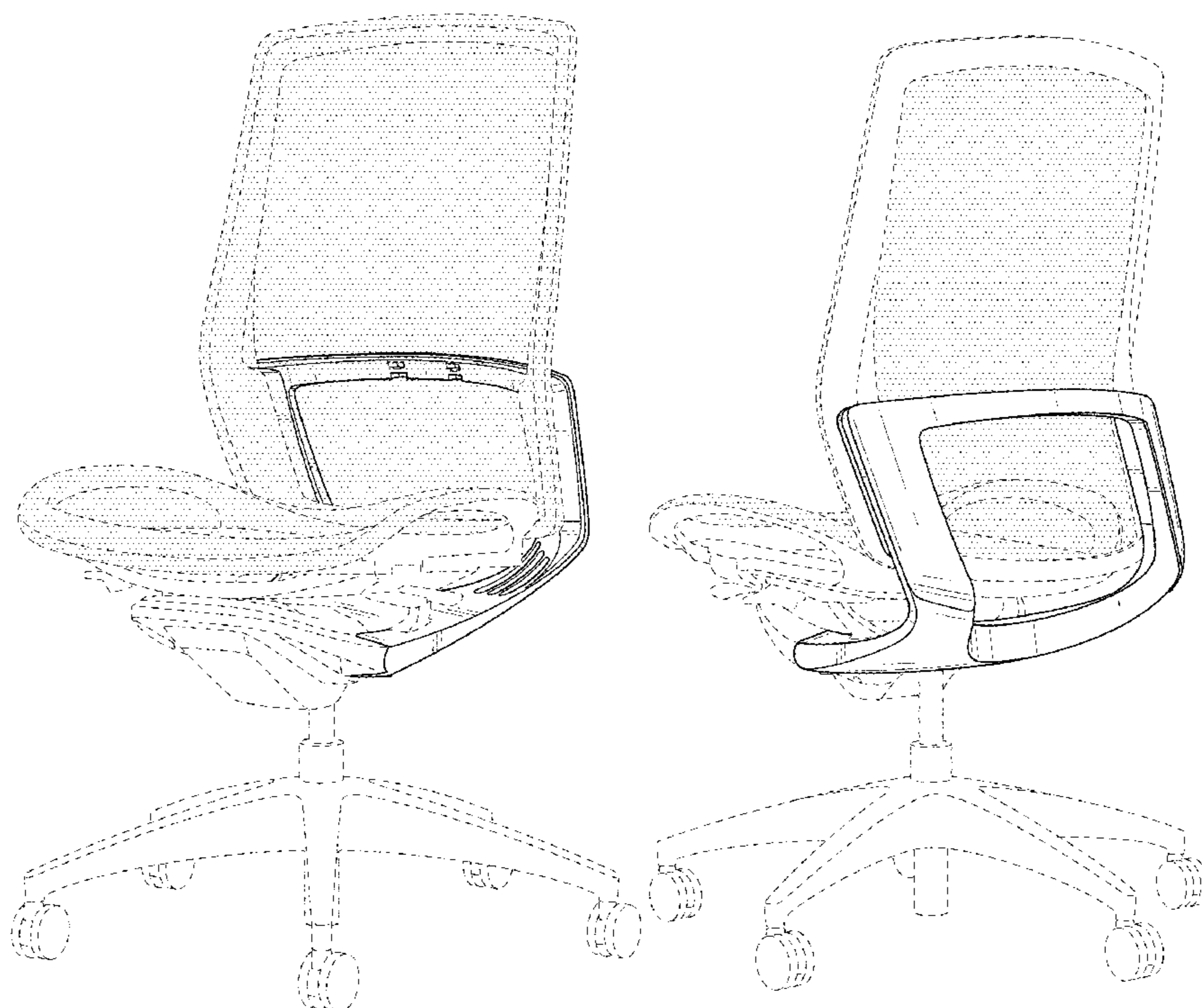


FIG. 1

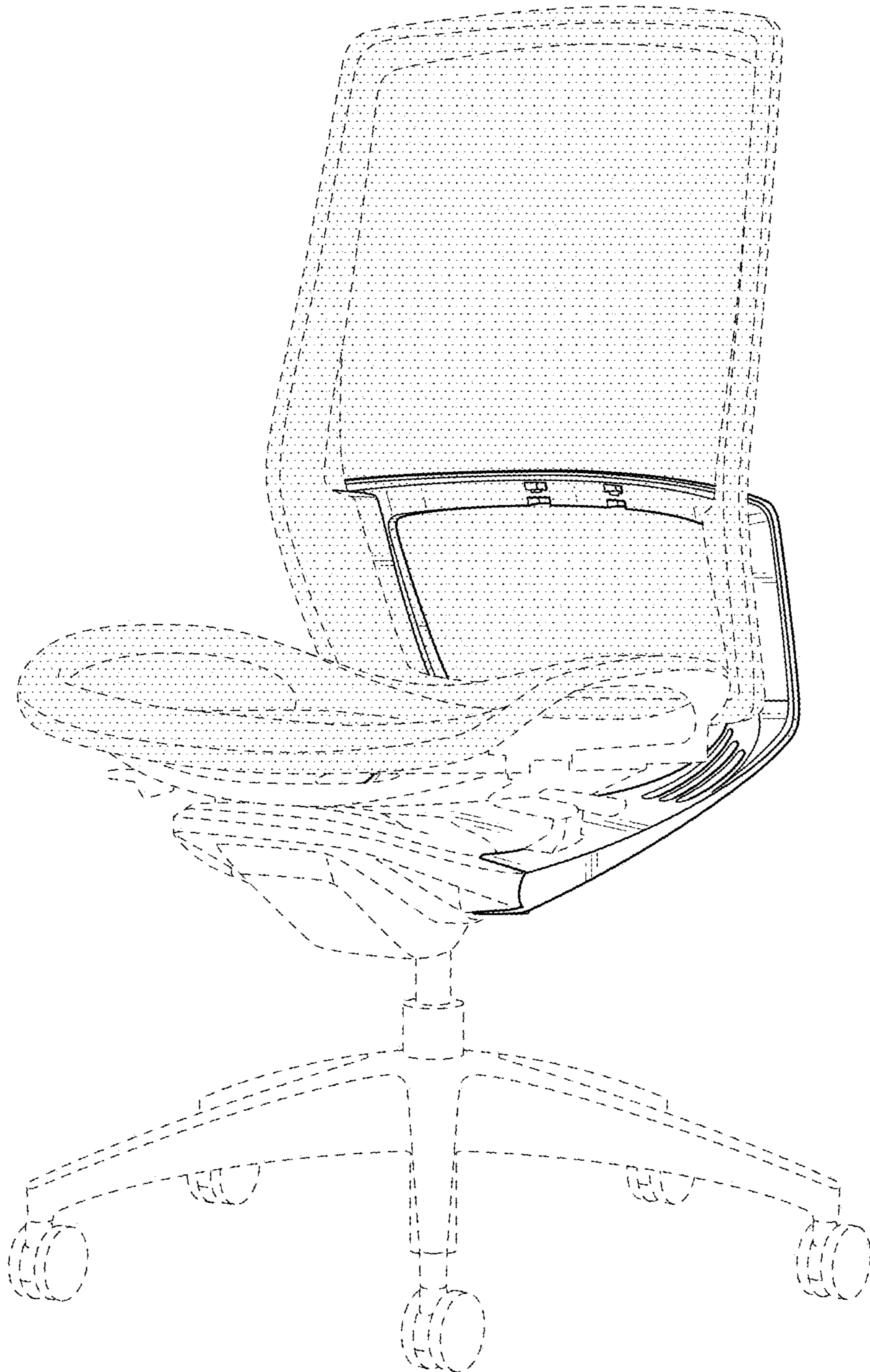


FIG. 2

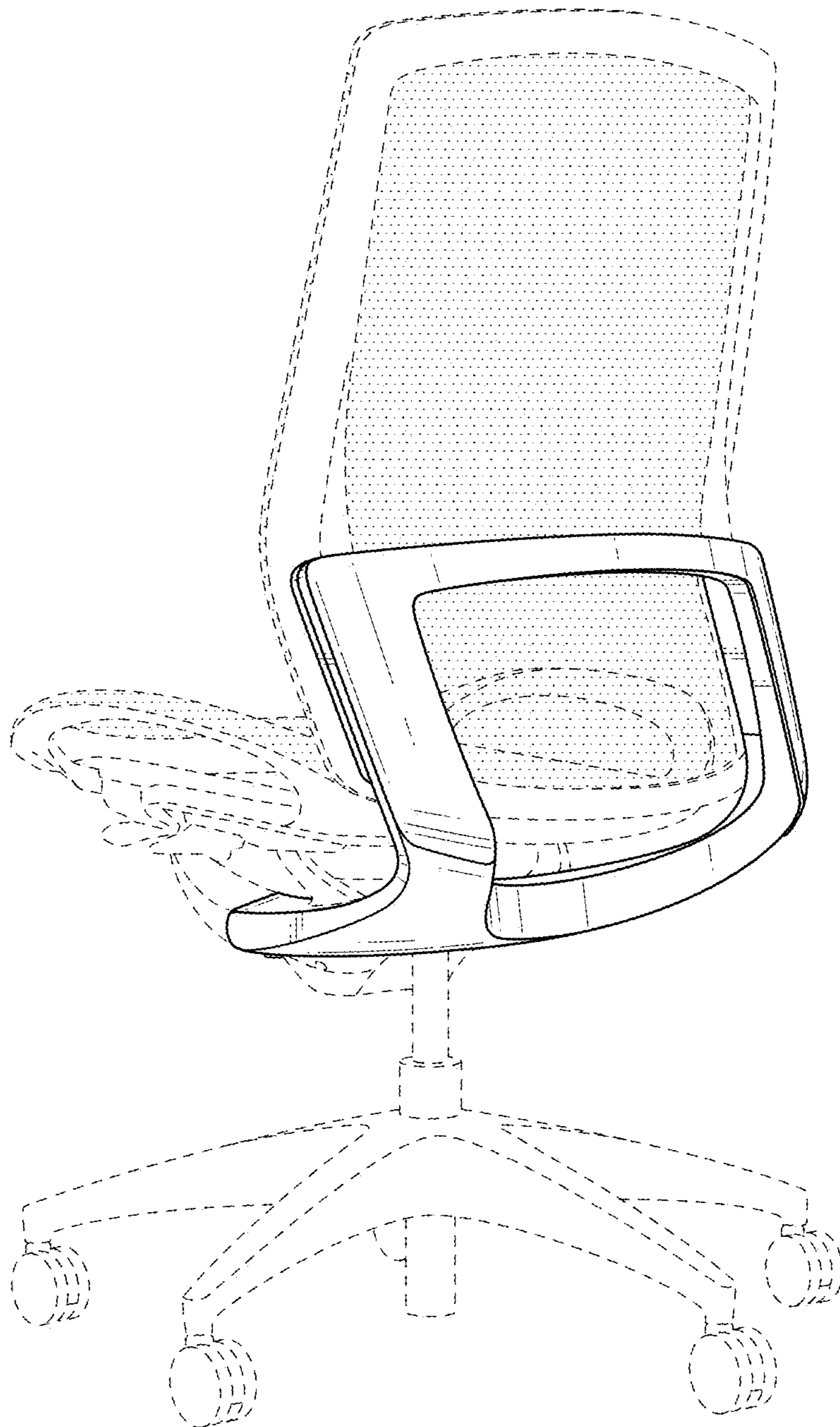


FIG. 3

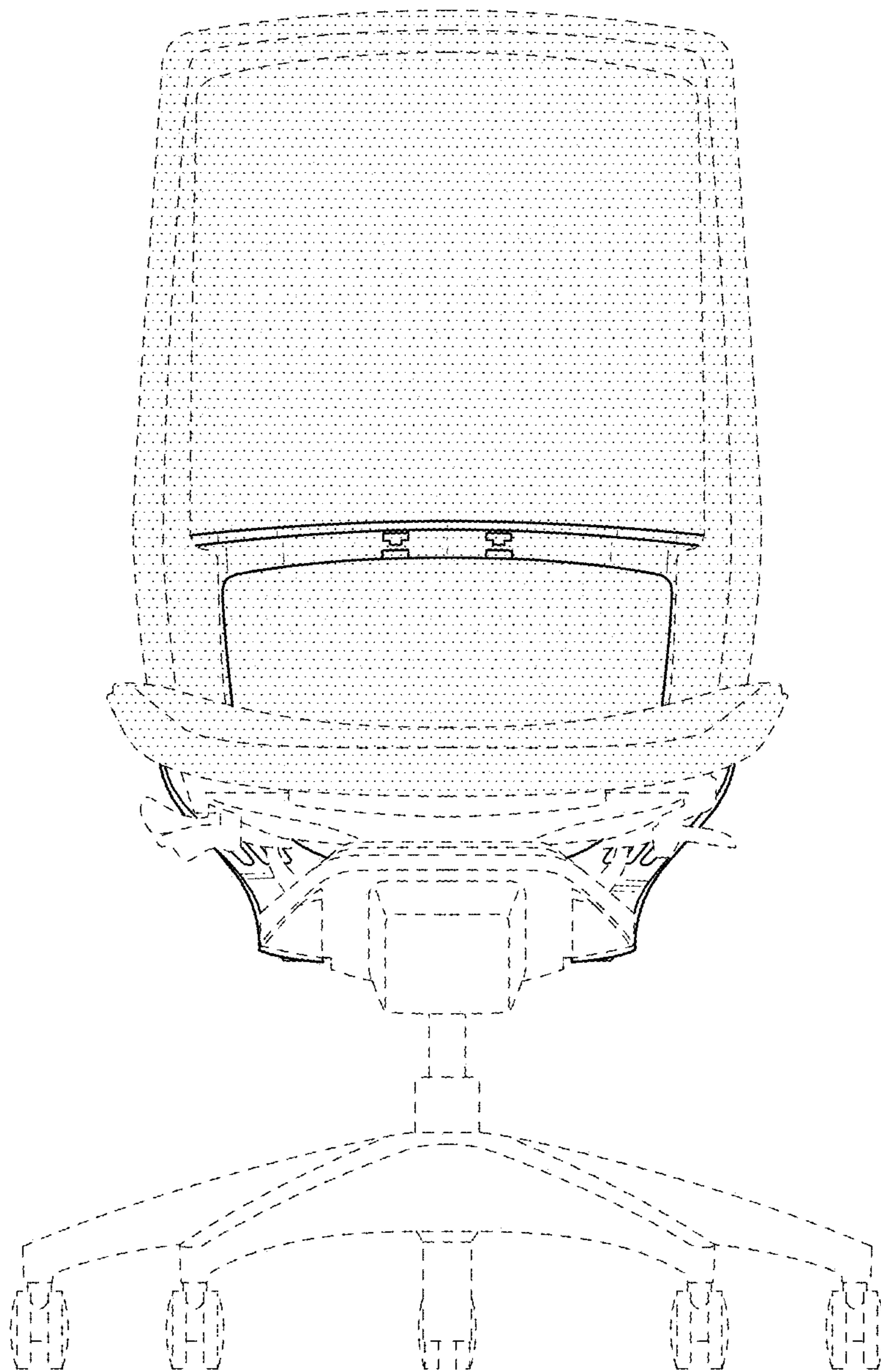


FIG. 4

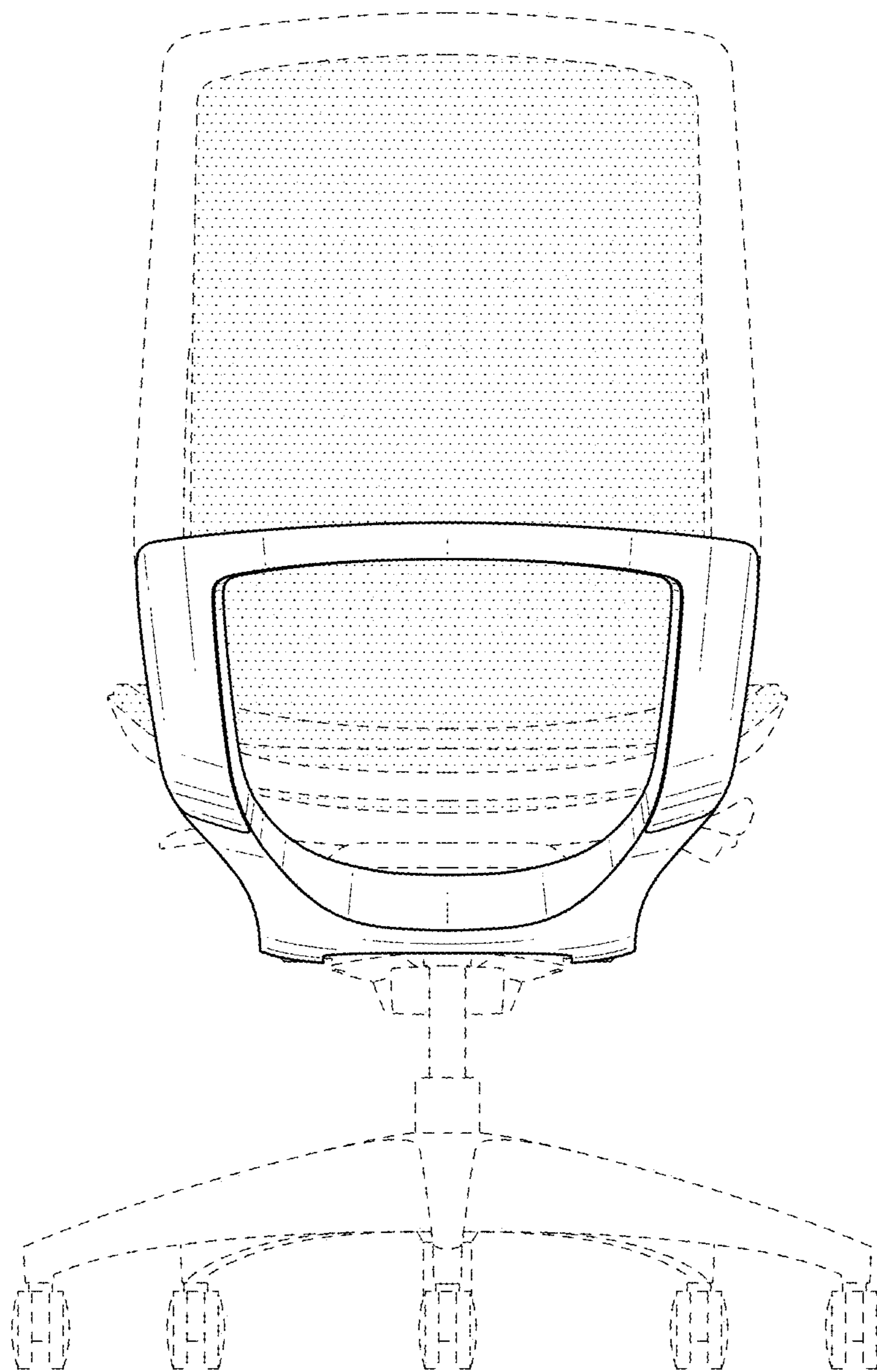


FIG. 5

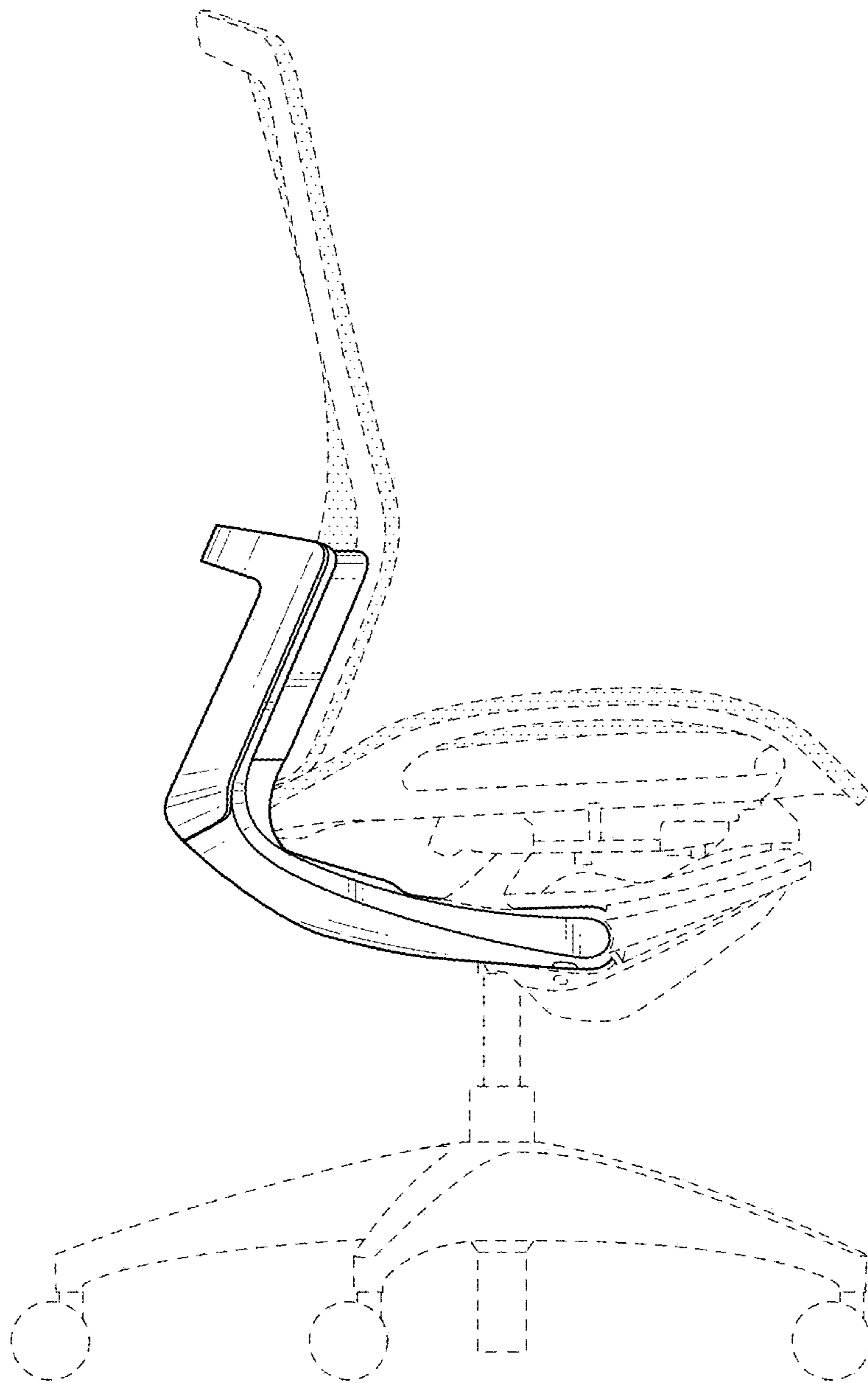


FIG. 6

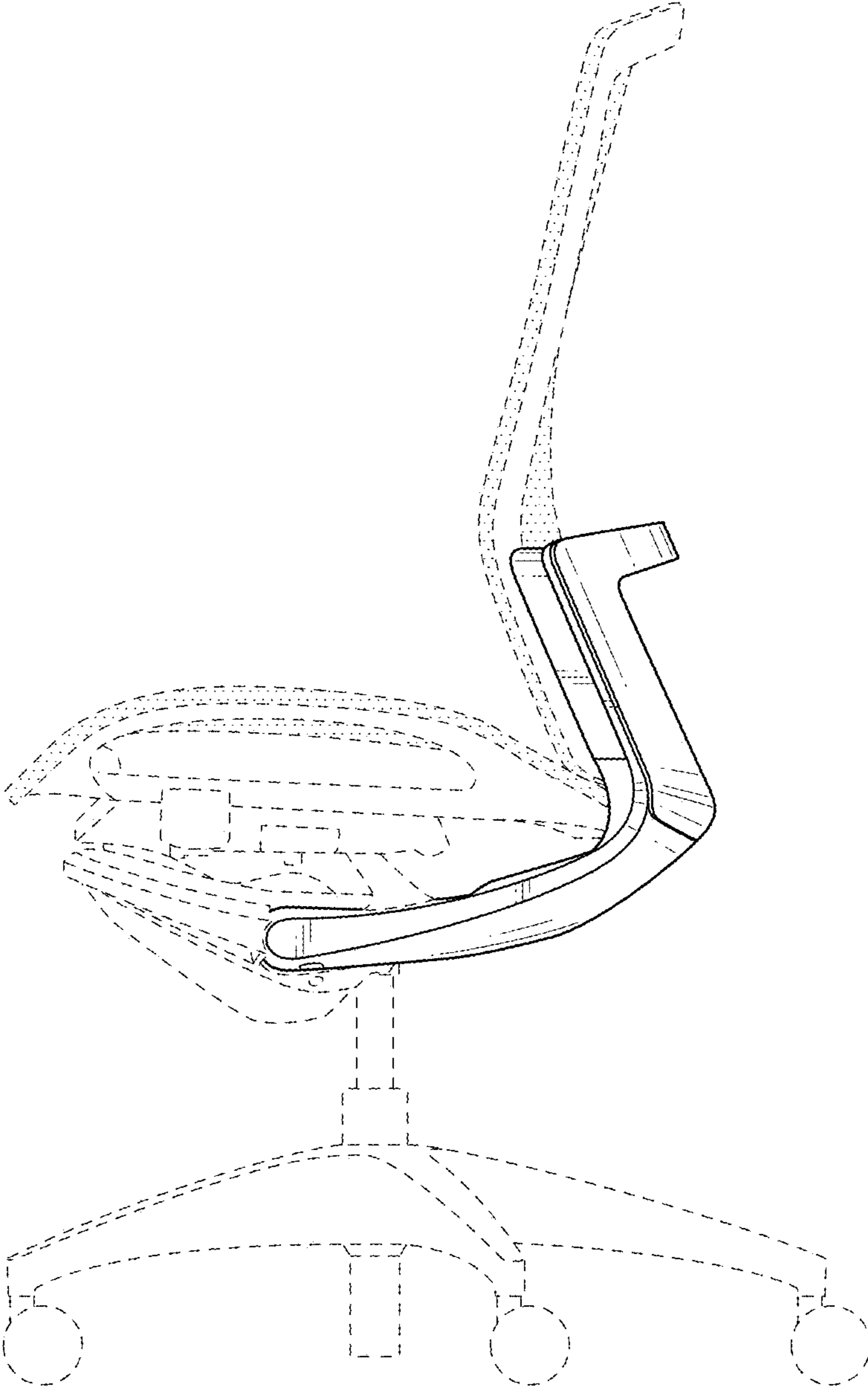


FIG. 7

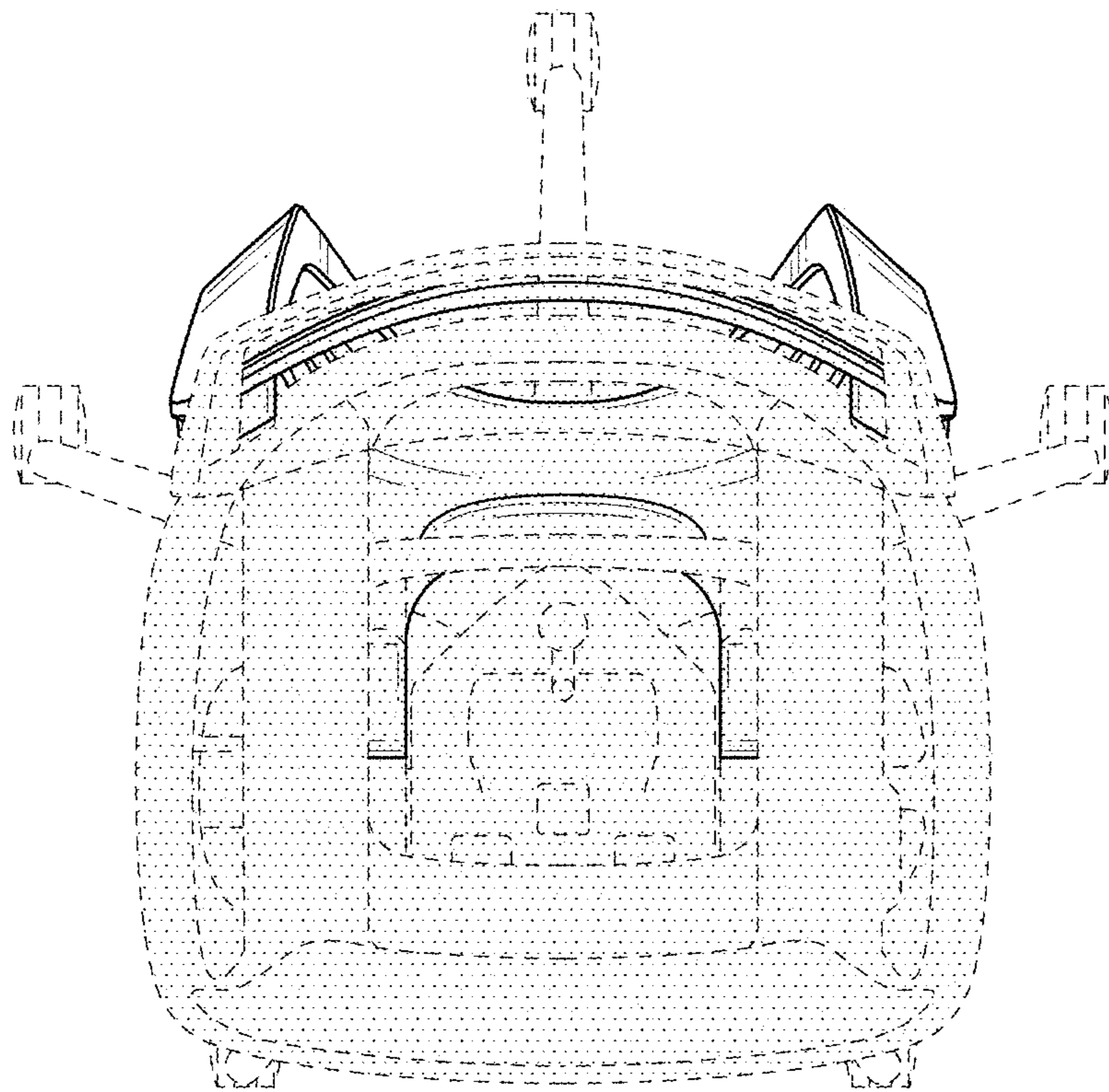


FIG. 8

