



US00D888481S

(12) **United States Design Patent**
Ericsson

(10) **Patent No.:** **US D888,481 S**
(45) **Date of Patent:** **** Jun. 30, 2020**

(54) **BACK REST FOR CHAIRS**
(71) Applicant: **Support Design AB**, Sunne (SE)
(72) Inventor: **Marcus Ericsson**, Sunne (SE)
(73) Assignee: **SUPPORT DESIGN AB**, Sunne (SE)
(**) Term: **15 Years**

D165,322 S * 12/1951 Burdick D6/366
D227,953 S * 7/1973 Prizlow D6/366
D230,443 S * 2/1974 Klose D6/366
D239,791 S * 5/1976 Alessandri D6/366
D438,734 S * 3/2001 Turner D6/716.4
D577,935 S * 10/2008 Lin D6/716.4
D657,594 S * 4/2012 Knight D6/366
D774,344 S * 12/2016 Alvarez D6/716.4
D824,709 S * 8/2018 Li D6/716
D867,799 S * 11/2019 Donati D6/716

(21) Appl. No.: **29/663,568**

* cited by examiner

(22) Filed: **Sep. 17, 2018**

Primary Examiner — Mimosa De

(30) **Foreign Application Priority Data**

(74) *Attorney, Agent, or Firm* — Nixon & Vanderhye P.C.

Mar. 16, 2018 (EM) 004761419

(51) **LOC (12) Cl.** **06-01**

(52) **U.S. Cl.**
USPC **D6/716.4**

(58) **Field of Classification Search**
USPC D6/334-336, 364, 365, 366, 367, 374,
D6/379, 716, 716.1, 716.4
CPC A47C 7/004; A47C 7/006; A47C 7/18;
A47C 7/24; A47C 7/40; A47C 7/46
See application file for complete search history.

(56) **References Cited**

U.S. PATENT DOCUMENTS

D86,039 S * 1/1932 Macomber D6/366
D127,977 S * 7/1941 Shepherd D6/366

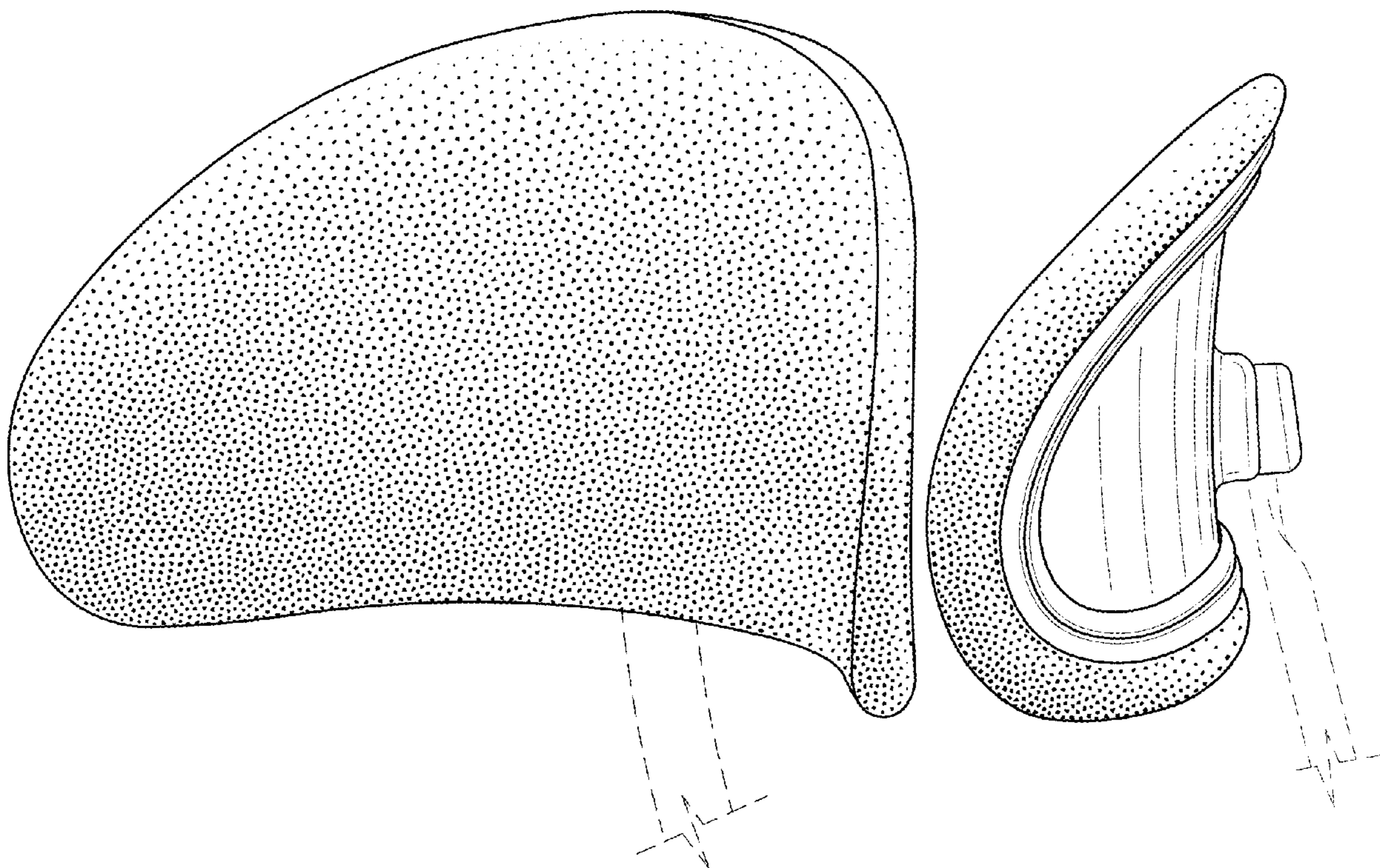
(57) **CLAIM**

The ornamental design for back rest for chairs, as shown and described.

DESCRIPTION

FIG. 1 is a front perspective view of the back rest for chairs according to the present invention;
FIG. 2 is a front view thereof;
FIG. 3 is a rear view thereof;
FIG. 4 is a top plan view thereof, the bottom view being a mirror image;
FIG. 5 is a side view thereof, the opposite side being a mirror image; and,
FIG. 6 is a rear perspective view thereof.

1 Claim, 6 Drawing Sheets



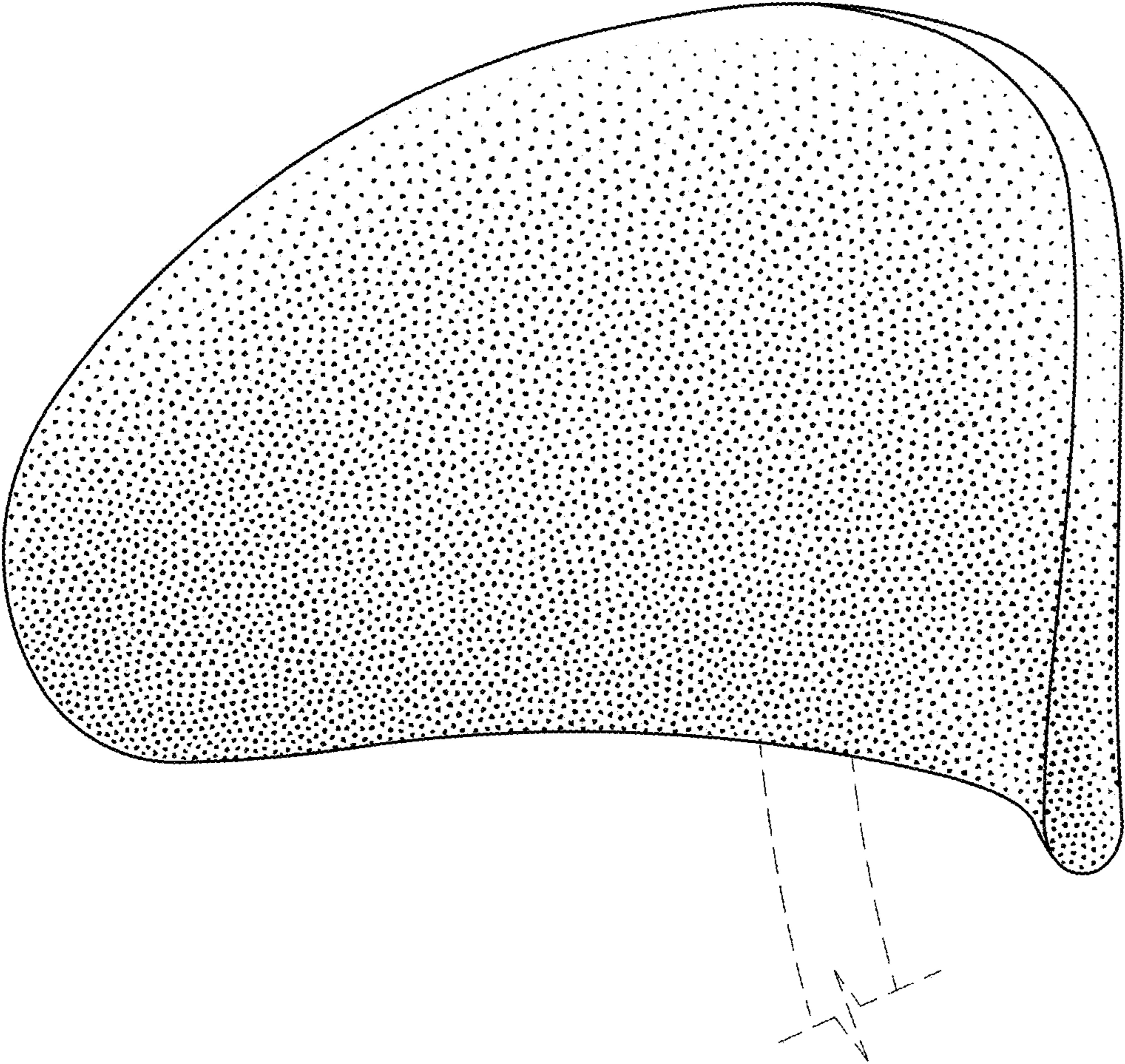


FIG. 1

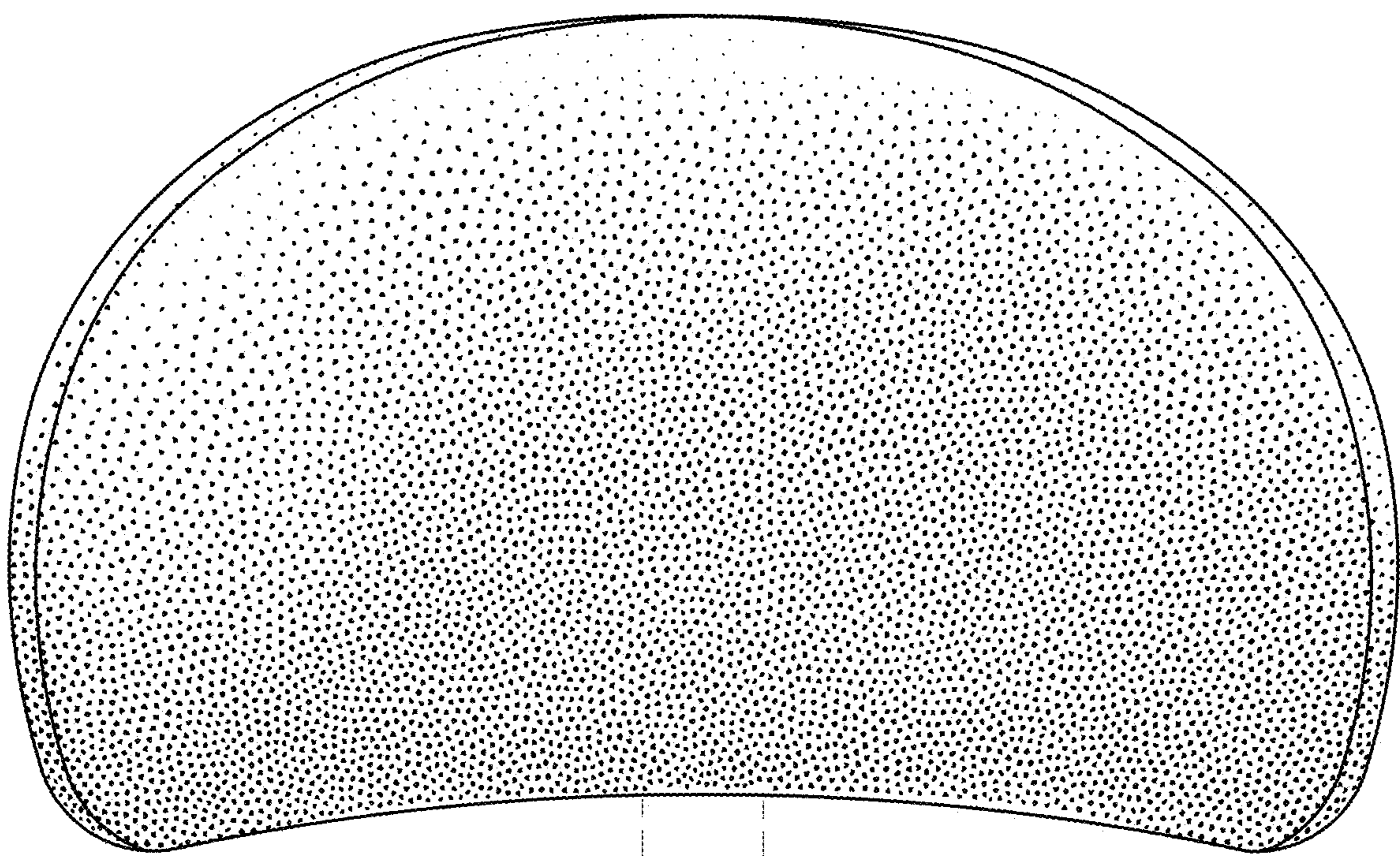


FIG. 2

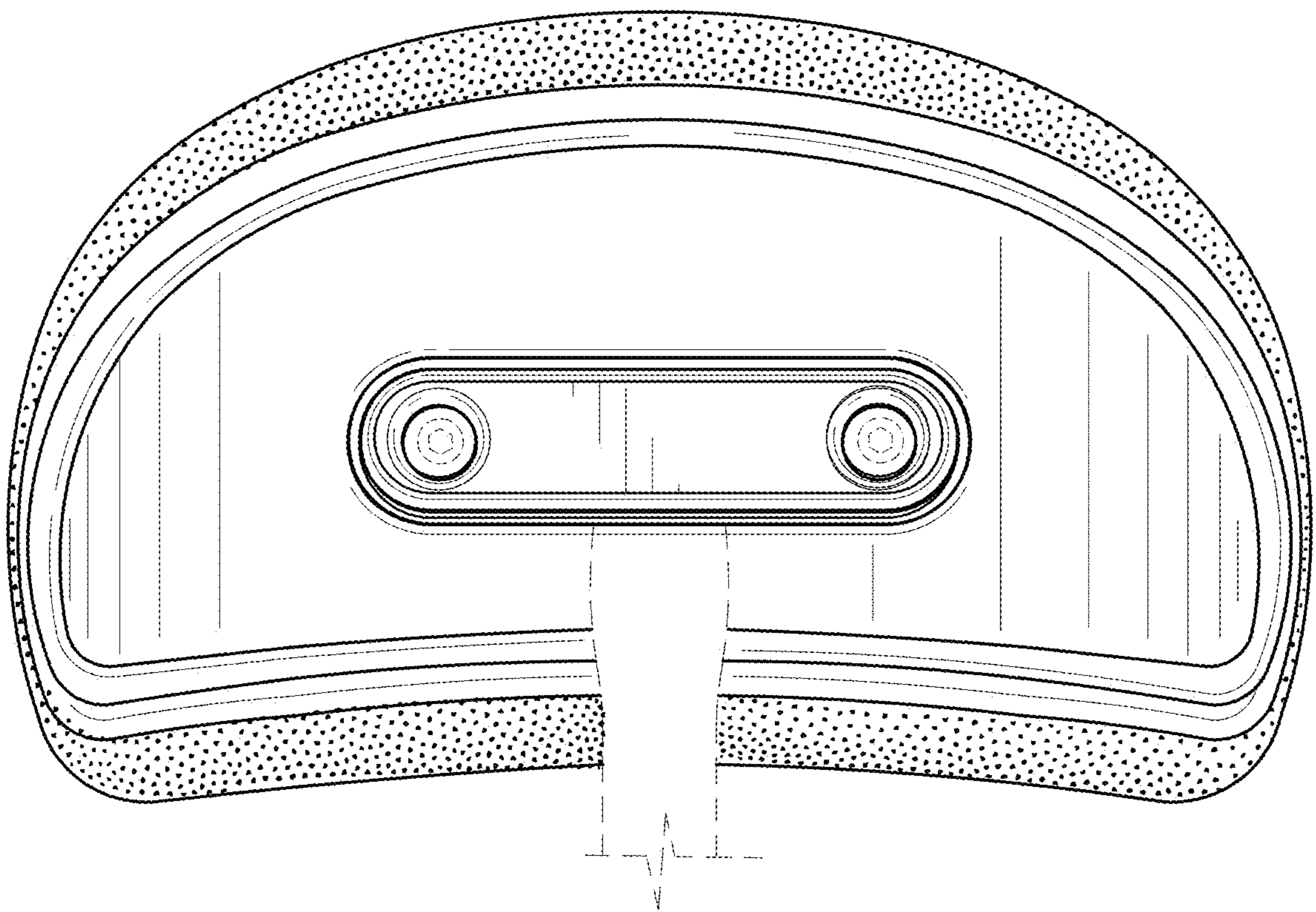


FIG. 3

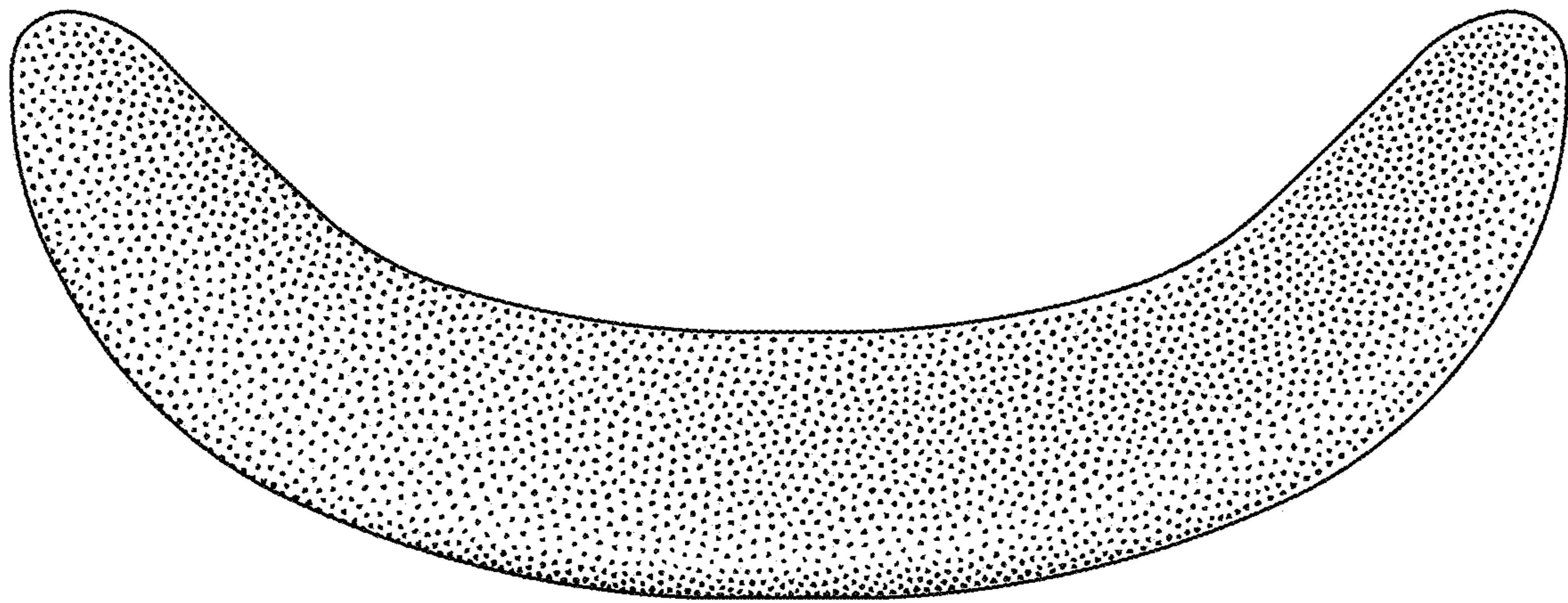


FIG. 4

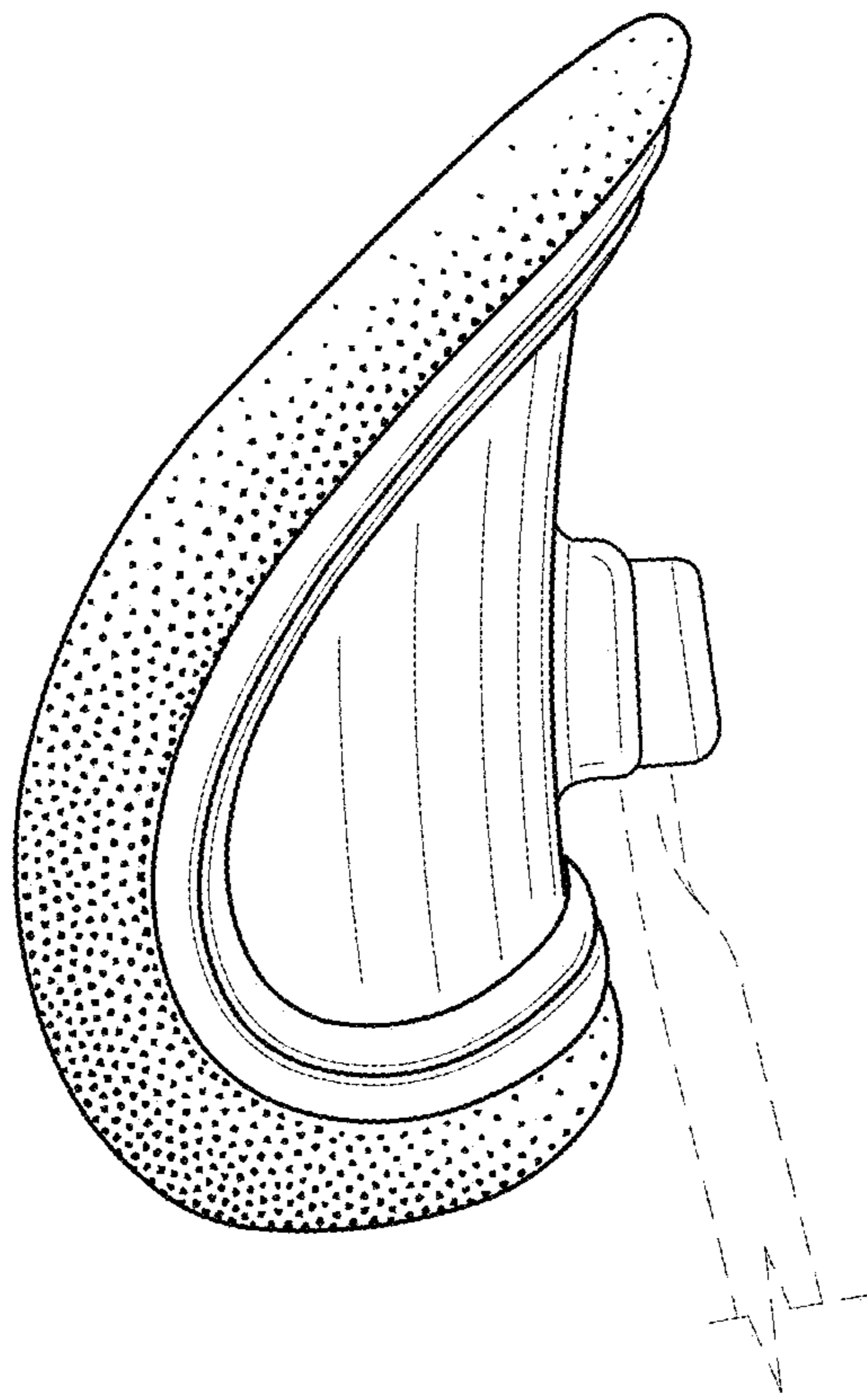


FIG. 5

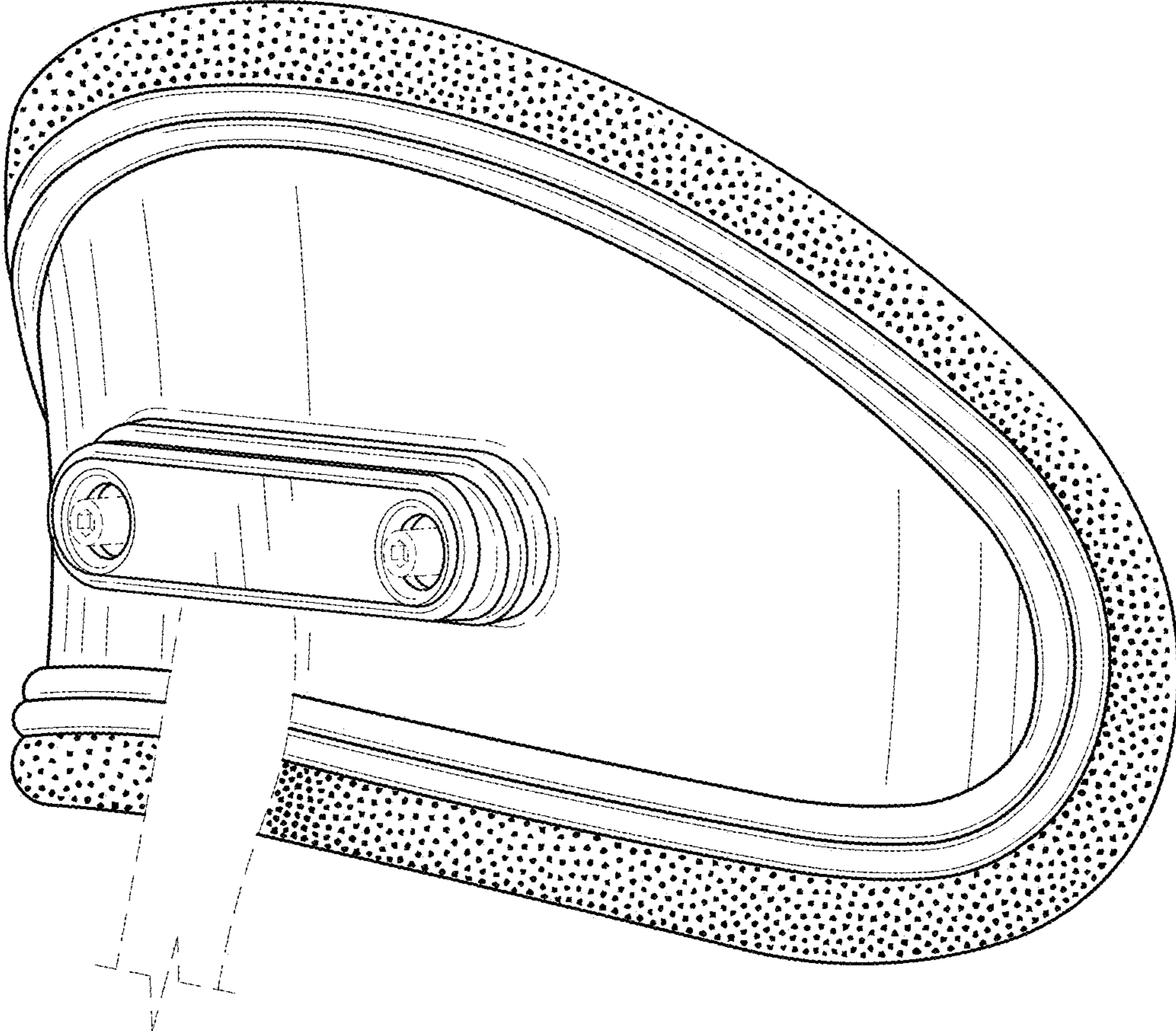


FIG.6