



US00D888479S

(12) **United States Design Patent**
Ludwig et al.

(10) **Patent No.:** **US D888,479 S**
(45) **Date of Patent:** **** Jun. 30, 2020**

- (54) **CHAIR ARM**
- (71) Applicant: **Steelcase Inc.**, Grand Rapids, MI (US)
- (72) Inventors: **James Ludwig**, Grand Rapids, MI (US); **Mark Spoelhof**, Grand Rapids, MI (US); **Nickolaus William Charles Deevers**, Holland, MI (US); **Kurt Heidmann**, Grand Rapids, MI (US)
- (73) Assignee: **Steelcase Inc.**, Grand Rapids, MI (US)

4,607,439 A	8/1986	Sogabe et al.
4,750,339 A	6/1988	Simpson et al.
4,810,558 A	3/1989	Hornung et al.
4,860,987 A	8/1989	Werner
4,951,995 A	8/1990	Teppo et al.
4,968,094 A	11/1990	Froyland et al.
4,998,773 A	3/1991	Pesce
5,031,869 A	7/1991	Strater et al.
5,255,538 A	10/1993	Day et al.
5,324,096 A	6/1994	Schultz
D349,621 S *	8/1994	Wilson D6/716.2

(Continued)

(**) Term: **15 Years**

(21) Appl. No.: **29/650,017**

(22) Filed: **Jun. 4, 2018**

(51) **LOC (12) Cl.** **06-01**

(52) **U.S. Cl.**
USPC **D6/716.2**

(58) **Field of Classification Search**
USPC D6/334, 335, 349, 353, 354, 356, 360, D6/361, 362, 364, 365, 366, 371, 374, D6/375, 377, 379, 380, 381, 716.2
CPC A47C 4/02; A47C 4/04; A47C 4/52; A47C 11/00; A47C 15/002; A47C 1/00; A47C 1/03; A47C 7/002
See application file for complete search history.

(56) **References Cited**

U.S. PATENT DOCUMENTS

1,270,350 A	6/1918	Watkins
1,405,511 A	2/1922	Hirschfield
2,792,320 A	5/1957	Bower
3,234,668 A	2/1966	Radcliffe
3,241,340 A	3/1966	Herbert
3,249,984 A	5/1966	Storti
3,251,727 A	5/1966	Reynolds et al.
3,642,563 A	2/1972	Davis et al.
4,015,448 A	4/1977	Knohl
4,077,669 A	3/1978	Fox
4,333,978 A	6/1982	Kocher

FOREIGN PATENT DOCUMENTS

DE	29511267	7/1995
GB	2477112	1/2010

(Continued)

OTHER PUBLICATIONS

Steelcase SILQ, date unknown, found on Feb. 5, 2020 at <https://www.steelcase.com/products/office-chairs/silq/>.*

Primary Examiner — Karen S Acker
(74) *Attorney, Agent, or Firm* — Price Heneveld LLP

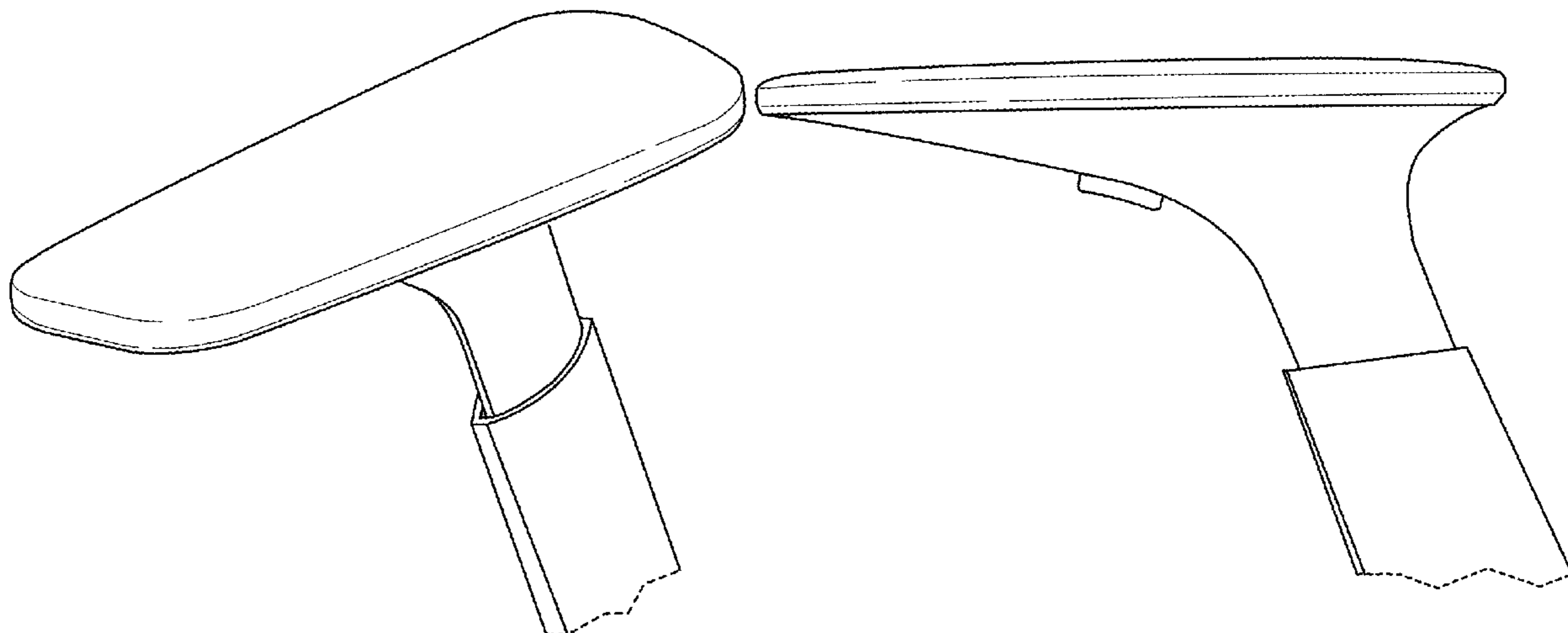
(57) **CLAIM**

The ornamental design for a chair arm, as shown and described.

DESCRIPTION

FIG. 1 is a perspective view of a chair arm;
FIG. 2 is a front elevational view of the chair arm;
FIG. 3 is a first side elevational view of the chair arm;
FIG. 4 is a rear side elevational view of the chair arm;
FIG. 5 is a second side elevational view of the chair arm;
FIG. 6 is a top plan view of the chair arm; and,
FIG. 7 is a bottom plan view of the chair arm.
The broken lines in the drawings form no part of the claimed design.

1 Claim, 4 Drawing Sheets



(56)

References Cited

U.S. PATENT DOCUMENTS

5,439,267 A 8/1995 Peterson et al.
 5,465,594 A 11/1995 Imboden et al.
 5,620,233 A 4/1997 Corwin
 5,655,814 A * 8/1997 Gibbs A47C 1/03
 248/118
 5,664,842 A 9/1997 Tseng
 5,749,628 A 5/1998 Synder et al.
 5,795,026 A 8/1998 Dral et al.
 D406,710 S * 3/1999 Holstensson D6/716.2
 5,927,811 A * 7/1999 Tseng A47C 1/03
 297/353
 5,931,537 A 8/1999 Gollin et al.
 D417,793 S * 12/1999 Ritch D6/366
 5,997,093 A 12/1999 Gollin et al.
 6,013,089 A 1/2000 Goldberg
 6,062,647 A 5/2000 Mei
 6,102,482 A 8/2000 Dettoni et al.
 D435,372 S * 12/2000 Perl D6/366
 6,227,010 B1 5/2001 Roell
 6,254,190 B1 7/2001 Gregory
 6,299,962 B1 10/2001 Davis et al.
 6,361,110 B2 * 3/2002 Roslund, Jr. A47C 1/03255
 248/161
 6,394,553 B1 5/2002 McAllister et al.
 6,419,318 B1 * 7/2002 Albright A47C 7/462
 297/284.4
 6,460,932 B1 10/2002 Kopish et al.
 6,497,786 B1 12/2002 Kilgore et al.
 6,502,904 B1 * 1/2003 Hansen A47C 1/03
 297/411.35
 6,540,300 B2 4/2003 Piretti
 6,619,746 B2 9/2003 Roslund, Jr. et al.
 6,632,756 B1 10/2003 Waldrop et al.
 6,663,182 B1 * 12/2003 Dolci A47C 7/54
 297/411.35
 6,739,158 B2 5/2004 Sciacca
 6,769,146 B2 8/2004 Copeland et al.
 6,773,072 B2 8/2004 Phillips et al.
 6,808,791 B2 10/2004 Curro et al.
 6,817,667 B2 11/2004 Pennington et al.
 6,878,433 B2 4/2005 Curro et al.
 6,896,333 B1 5/2005 Matern et al.
 D506,337 S * 6/2005 Wang D6/366
 6,910,288 B2 6/2005 Dua
 6,948,774 B2 * 9/2005 Maier A47C 1/03
 297/411.31
 7,011,371 B1 * 3/2006 Tsai A47C 1/03
 297/353
 7,033,458 B2 4/2006 Chang et al.
 7,097,254 B2 8/2006 Hobb et al.
 7,114,781 B2 10/2006 Costaglia
 D534,364 S * 1/2007 Loew A47C 1/03
 D6/366
 D535,505 S * 1/2007 Cai D6/366
 D535,830 S * 1/2007 Bernet D6/366
 7,188,907 B1 * 3/2007 Lai A47C 1/03
 297/411.35
 7,229,518 B1 6/2007 Watkins
 7,234,779 B2 6/2007 Bedford et al.
 7,270,378 B2 9/2007 Wilkerson et al.
 D555,377 S * 11/2007 Pensi A47C 1/03255
 D6/366
 D557,950 S * 12/2007 Lu A47C 7/546
 D6/366
 7,341,313 B2 3/2008 Bedford et al.
 7,434,879 B2 * 10/2008 Ueda F16F 1/22
 297/296
 7,472,962 B2 1/2009 Caruso et al.
 7,481,079 B1 1/2009 Waldrop et al.
 7,533,939 B2 5/2009 Fookes et al.
 D606,345 S * 12/2009 Tsai D6/366
 7,631,941 B2 12/2009 Chang

7,661,763 B2 2/2010 Tsai
 7,770,979 B2 8/2010 He
 7,815,259 B2 10/2010 Fookes et al.
 7,819,482 B2 10/2010 Liviero et al.
 7,828,389 B2 11/2010 Oda
 7,841,665 B2 11/2010 Geister et al.
 7,896,440 B2 3/2011 Tsai
 7,980,632 B2 7/2011 Pai
 8,028,386 B2 10/2011 Rock et al.
 D654,711 S * 2/2012 Fujita A47C 1/03
 D6/366
 8,128,457 B2 3/2012 Reinisch et al.
 8,226,171 B2 * 7/2012 Fang A47C 1/03
 297/411.35
 8,235,468 B2 8/2012 Fookes et al.
 8,287,046 B1 * 10/2012 Wang A47C 7/546
 297/411.26
 8,419,135 B2 4/2013 Moeseneder et al.
 8,506,865 B2 8/2013 Wangenheim
 8,522,577 B2 9/2013 Huffa
 8,578,535 B2 11/2013 Dohan et al.
 8,621,891 B2 1/2014 Dua et al.
 D707,479 S * 6/2014 Egger D6/716.2
 8,745,896 B2 6/2014 Dua et al.
 8,777,318 B2 7/2014 Chen
 8,800,172 B2 8/2014 Dua et al.
 9,004,603 B1 4/2015 Wang
 9,044,093 B1 * 6/2015 Pan A47C 1/03
 9,307,839 B2 4/2016 Cvek
 9,345,333 B2 5/2016 Gorgi
 9,354,144 B2 5/2016 Ebrahim et al.
 D779,254 S * 2/2017 Welsh D6/716.4
 9,565,945 B2 2/2017 Deskevich et al.
 9,603,451 B2 3/2017 Masunaga et al.
 9,661,930 B2 5/2017 Norman et al.
 9,848,707 B1 12/2017 Cassaday et al.
 9,913,540 B2 3/2018 Norman et al.
 D829,033 S * 9/2018 Peterson D6/716.2
 2004/0040640 A1 3/2004 Bordes
 2004/0160109 A1 8/2004 Bottemiler
 2005/0130537 A1 6/2005 Phelps
 2007/0141937 A1 6/2007 Hendrix et al.
 2008/0036264 A1 2/2008 Pan
 2008/0036265 A1 2/2008 Pan
 2009/0107012 A1 4/2009 Cheney et al.
 2010/0244521 A1 * 9/2010 Ueda A47C 1/03255
 297/298
 2011/0062763 A1 3/2011 Tsai
 2011/0084535 A1 4/2011 Diffrient
 2011/0248543 A1 * 10/2011 Hitchcock A47C 1/03
 297/411.36
 2012/0100351 A1 4/2012 Covelli et al.
 2012/0183748 A1 7/2012 Schindler et al.
 2013/0067768 A1 3/2013 Dua et al.
 2013/0018654 A1 7/2013 Toebes
 2013/0189890 A1 7/2013 Cross et al.
 2013/0190917 A1 7/2013 Cross et al.
 2013/0263356 A1 10/2013 Jones et al.
 2013/0264855 A1 10/2013 Huang
 2013/0288554 A1 10/2013 Mallen et al.
 2014/0059886 A1 3/2014 Lyttle et al.
 2014/0157623 A1 6/2014 Dekovic
 2014/0209233 A1 7/2014 Dua et al.
 2014/0245638 A1 9/2014 Seamarks et al.
 2015/0115683 A1 * 4/2015 Huang A47C 1/03
 297/411.36
 2017/0027324 A1 * 2/2017 Su A47C 1/03
 2019/0174921 A1 * 6/2019 Chen A47C 7/541

FOREIGN PATENT DOCUMENTS

GB 2524766 4/2014
 JP 2000004982 6/1998
 JP 2013233165 5/2012
 WO 2004037046 A1 5/2004

* cited by examiner

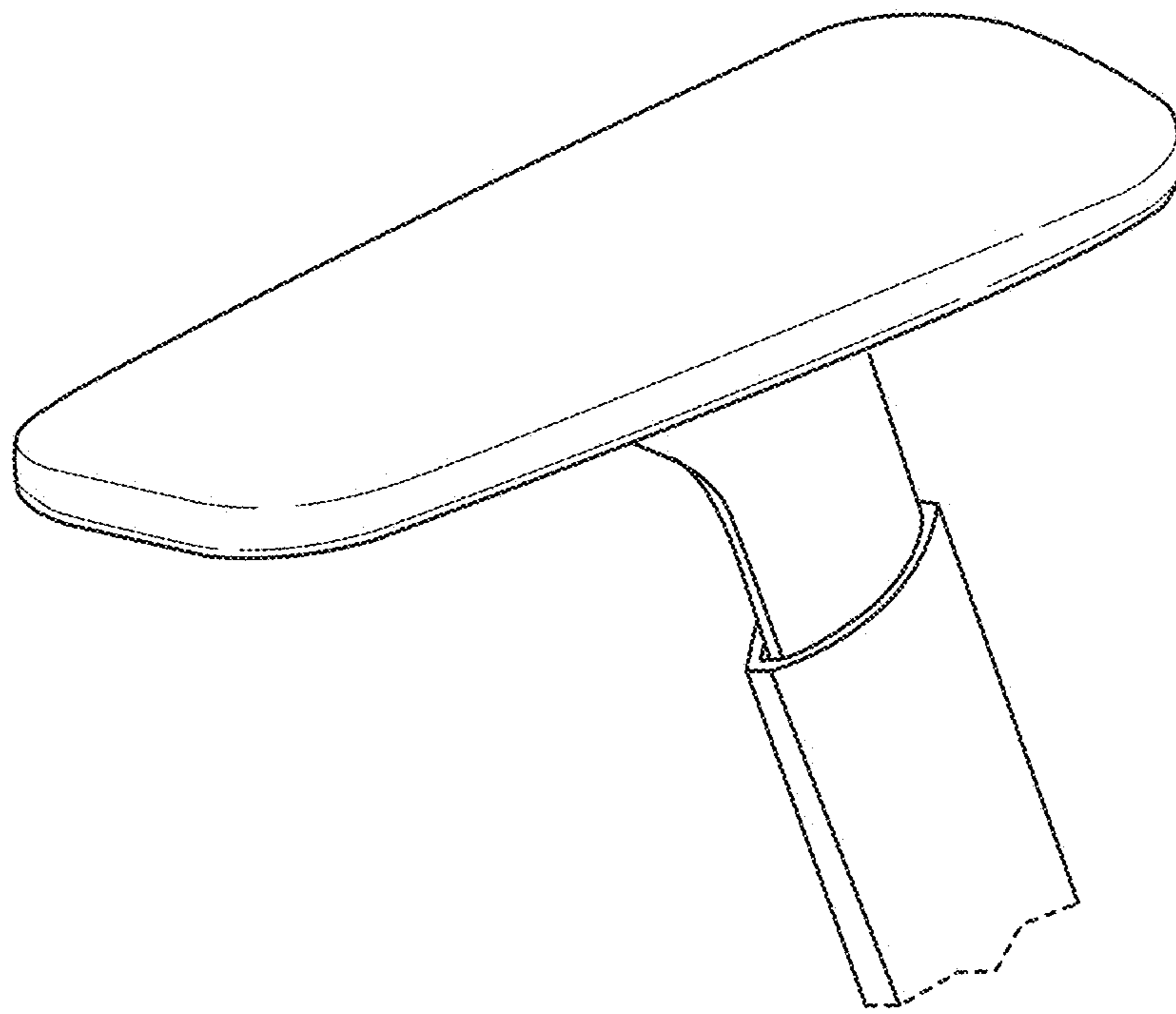


FIG. 1

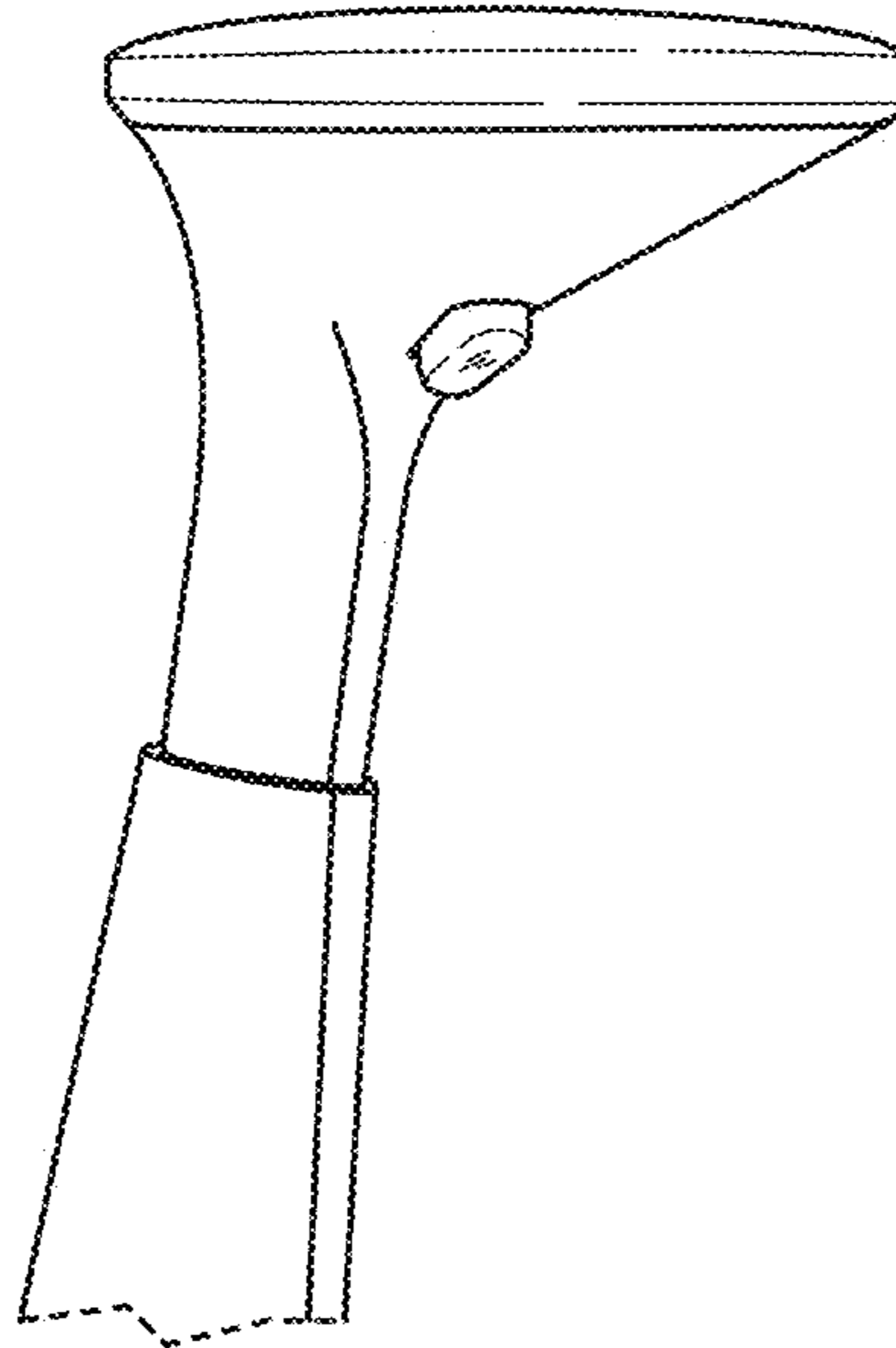


FIG. 2

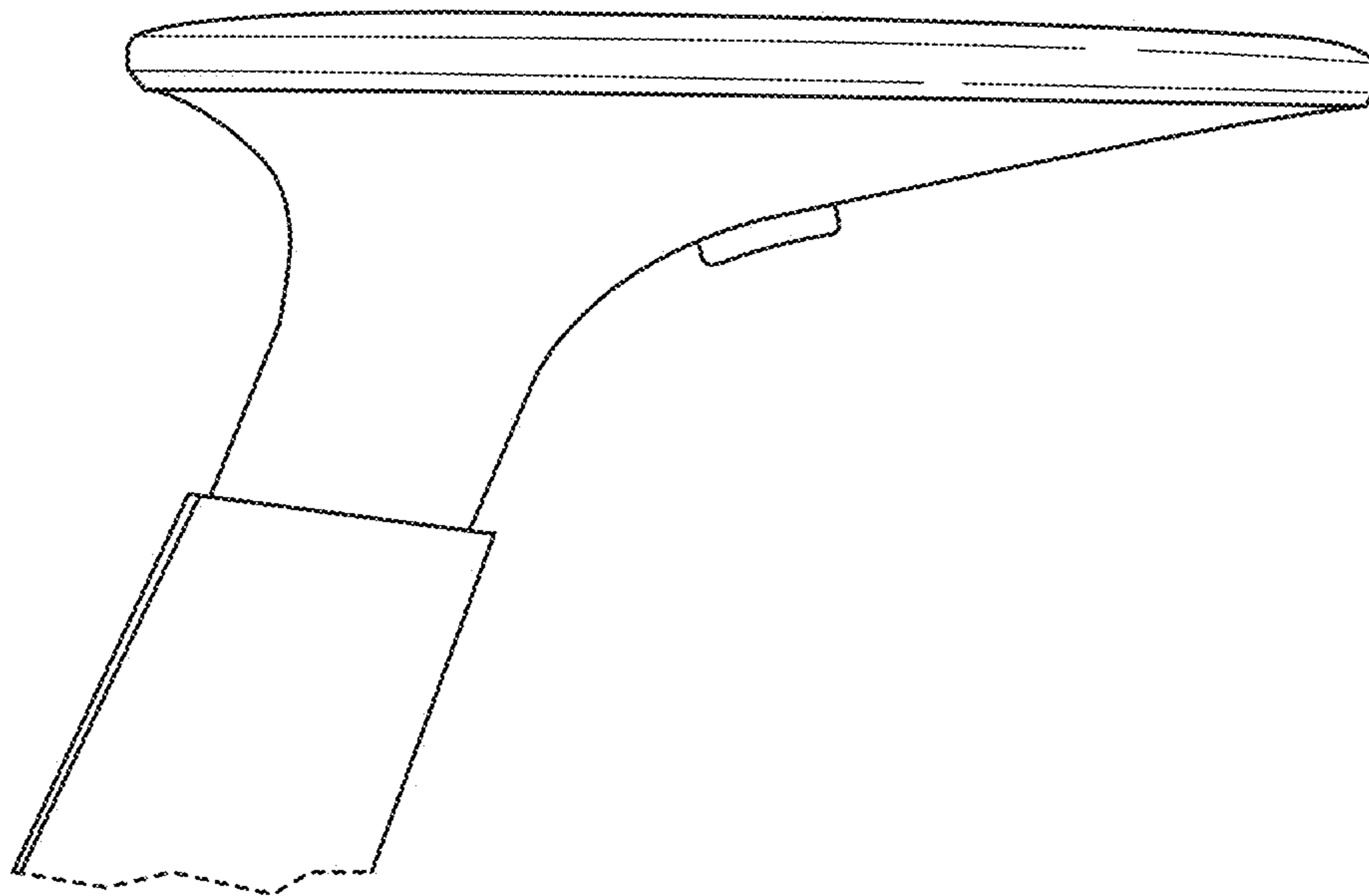


FIG. 3

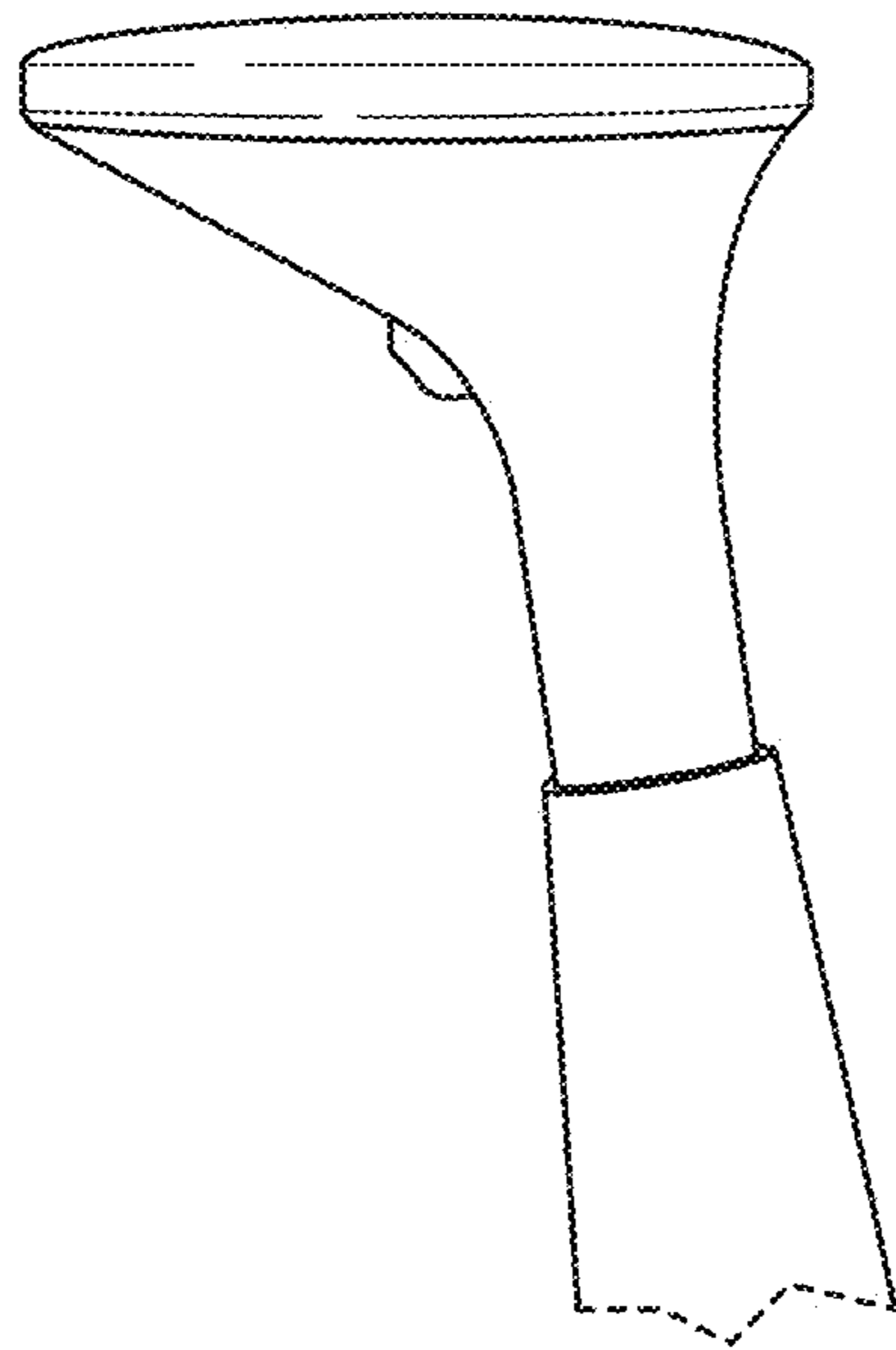


FIG. 4

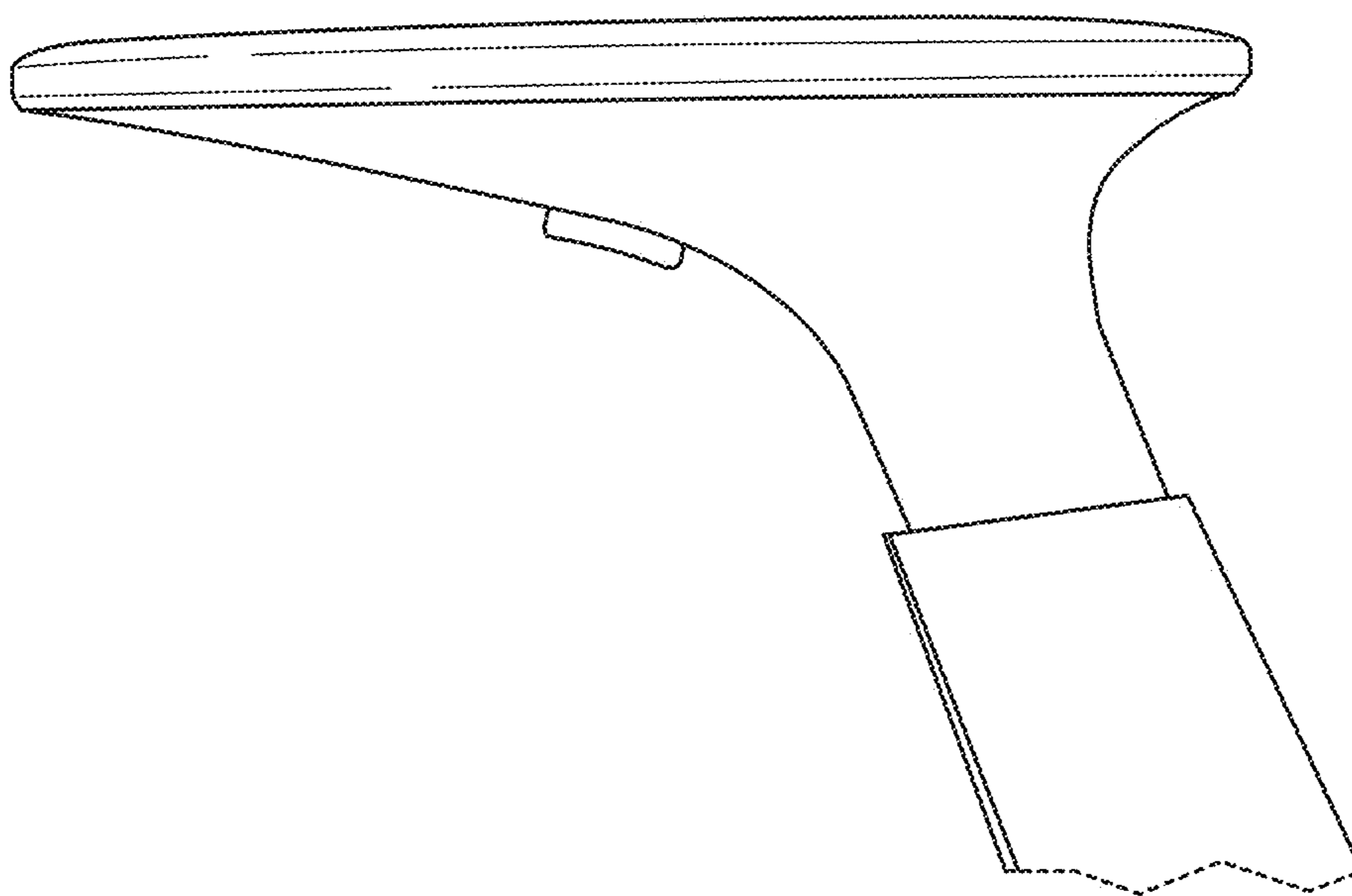


FIG. 5

FIG. 6

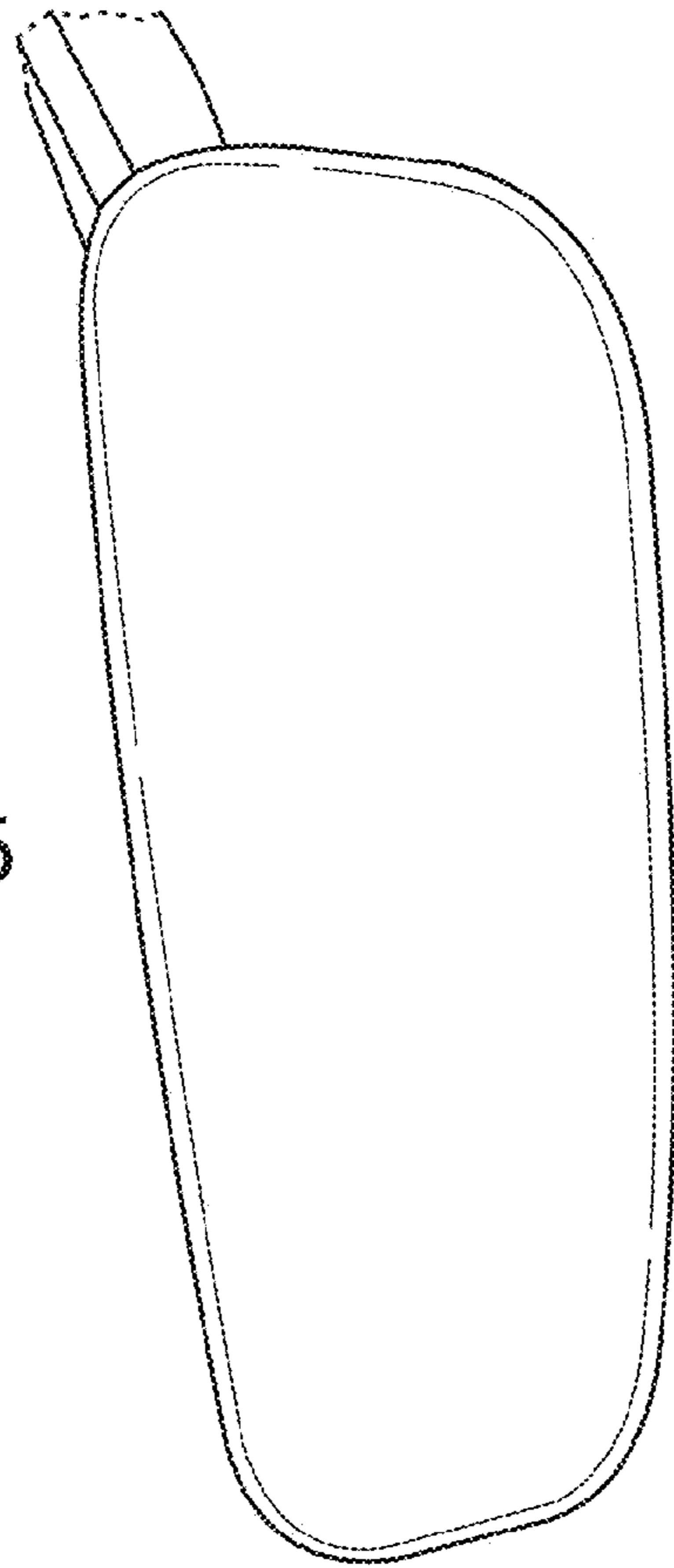


FIG. 7

