



US00D888478S

(12) **United States Design Patent**
Clayton

(10) **Patent No.:** **US D888,478 S**

(45) **Date of Patent:** **** Jun. 30, 2020**

(54) **PIVOTABLE SHELF**

(71) Applicant: **Dennis Clayton**, Covington, GA (US)

(72) Inventor: **Dennis Clayton**, Covington, GA (US)

(**) Term: **15 Years**

(21) Appl. No.: **29/642,842**

(22) Filed: **Apr. 2, 2018**

(51) **LOC (12) Cl.** **06-06**

(52) **U.S. Cl.**
USPC **D6/705.1**

(58) **Field of Classification Search**
USPC D6/312, 672, 678, 678.1, 679, 704, 705,
D6/705.1, 707; D7/500, 501
CPC A47B 46/00; A47B 46/005; A47B 49/00;
A47B 96/02; A47F 5/025; A47F 5/0043
See application file for complete search history.

(56) **References Cited**

U.S. PATENT DOCUMENTS

- 3,636,299 A * 1/1972 Stewart, Jr. A47J 27/004
219/201
- D301,956 S * 7/1989 Newton D7/501
- D354,862 S * 1/1995 Goldberg D6/677.1
- D364,057 S * 11/1995 Bowman D6/705.7
- D370,148 S * 5/1996 Maharg D6/574
- D371,958 S * 7/1996 Keaton D7/388
- D378,792 S * 4/1997 Westcott D7/501
- D388,988 S * 1/1998 Twellmann D6/705
- D403,546 S * 1/1999 Moon D6/574
- D436,269 S * 1/2001 Kane D6/341

- D443,165 S * 6/2001 Petri D6/574
- D480,581 S * 10/2003 Searer D6/677.1
- D485,716 S * 1/2004 Boron D6/574
- D493,311 S * 7/2004 Searer D6/705
- 7,093,726 B1 * 8/2006 Holztrager A47F 5/0043
211/153
- D595,088 S * 6/2009 Watts D7/501
- D624,360 S * 9/2010 Leavelle D7/501
- D633,182 S * 2/2011 Cohen D23/249
- D661,577 S * 6/2012 Strilich D9/424
- D774,597 S * 12/2016 Lowery D21/336
- D793,130 S * 8/2017 Ellison D6/677.1
- D814,219 S * 4/2018 Clayton D6/705.1
- D814,220 S * 4/2018 Clayton D6/705.1
- D854,323 S * 7/2019 Calhoun D3/304
- D866,264 S * 11/2019 Saylor D7/554.2

* cited by examiner

Primary Examiner — Kelley A Donnelly
(74) *Attorney, Agent, or Firm* — Michael J. Bootcheck;
Michael J. Bootcheck, LLC

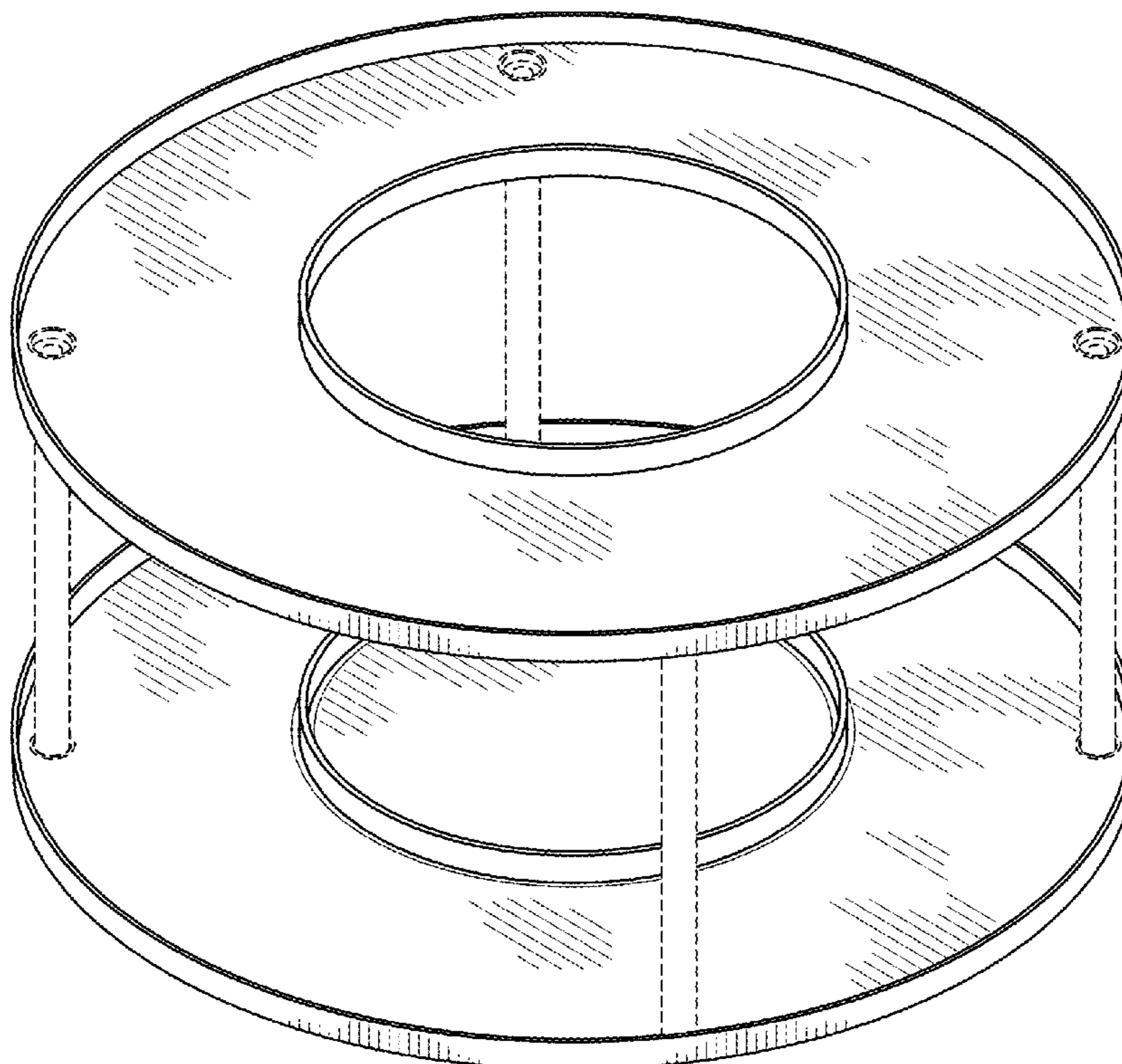
(57) **CLAIM**

The ornamental design for a pivotable shelf, as shown and described.

DESCRIPTION

FIG. 1 is an upper perspective view of the pivotable shelf;
FIG. 2 front view thereof;
FIG. 3 is a rear view thereof;
FIG. 4 is a top view thereof; and,
FIG. 5 is a bottom view thereof with optional components in phantom lines and not a claimed part of this invention.

1 Claim, 4 Drawing Sheets



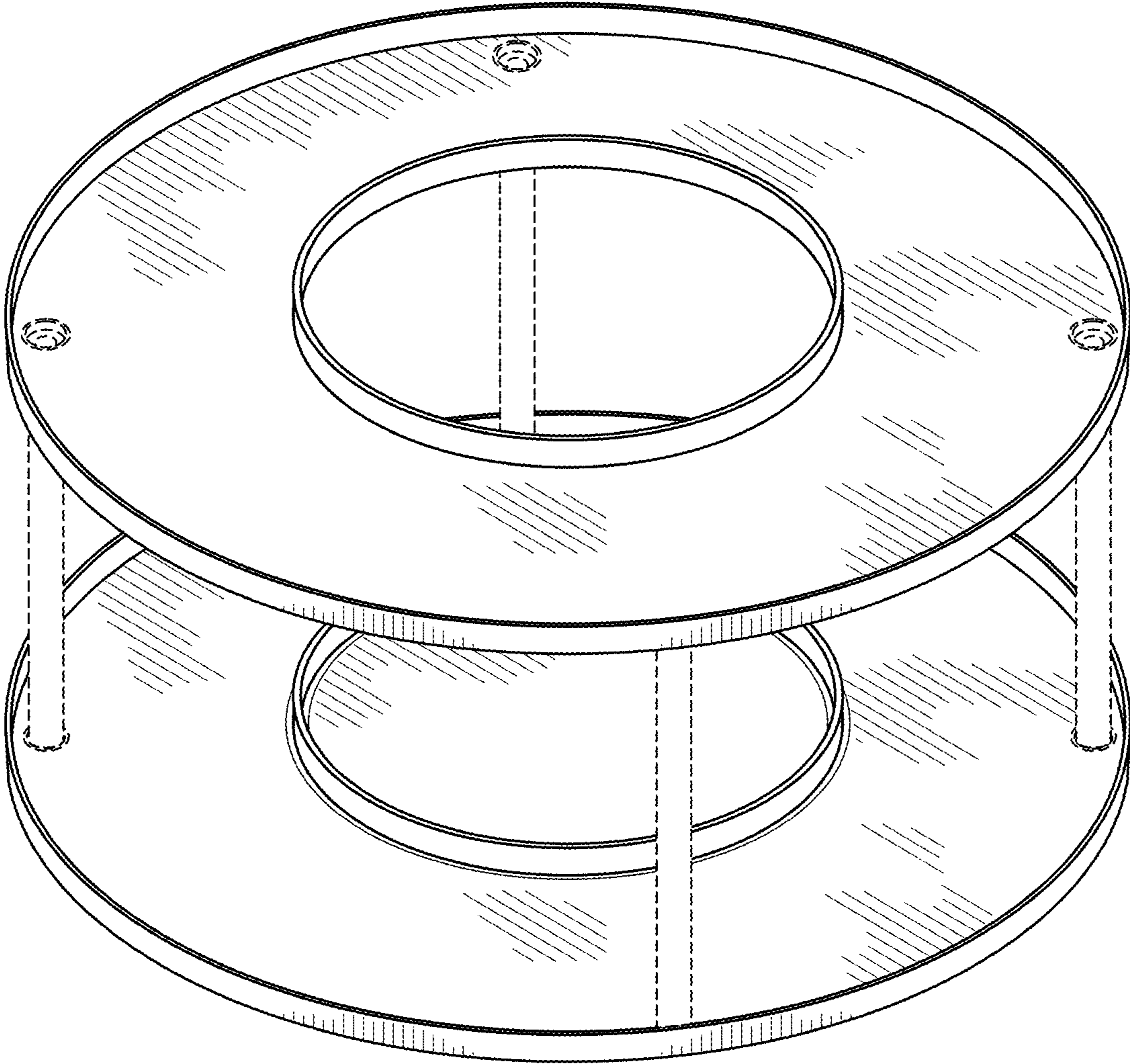


FIG. 1

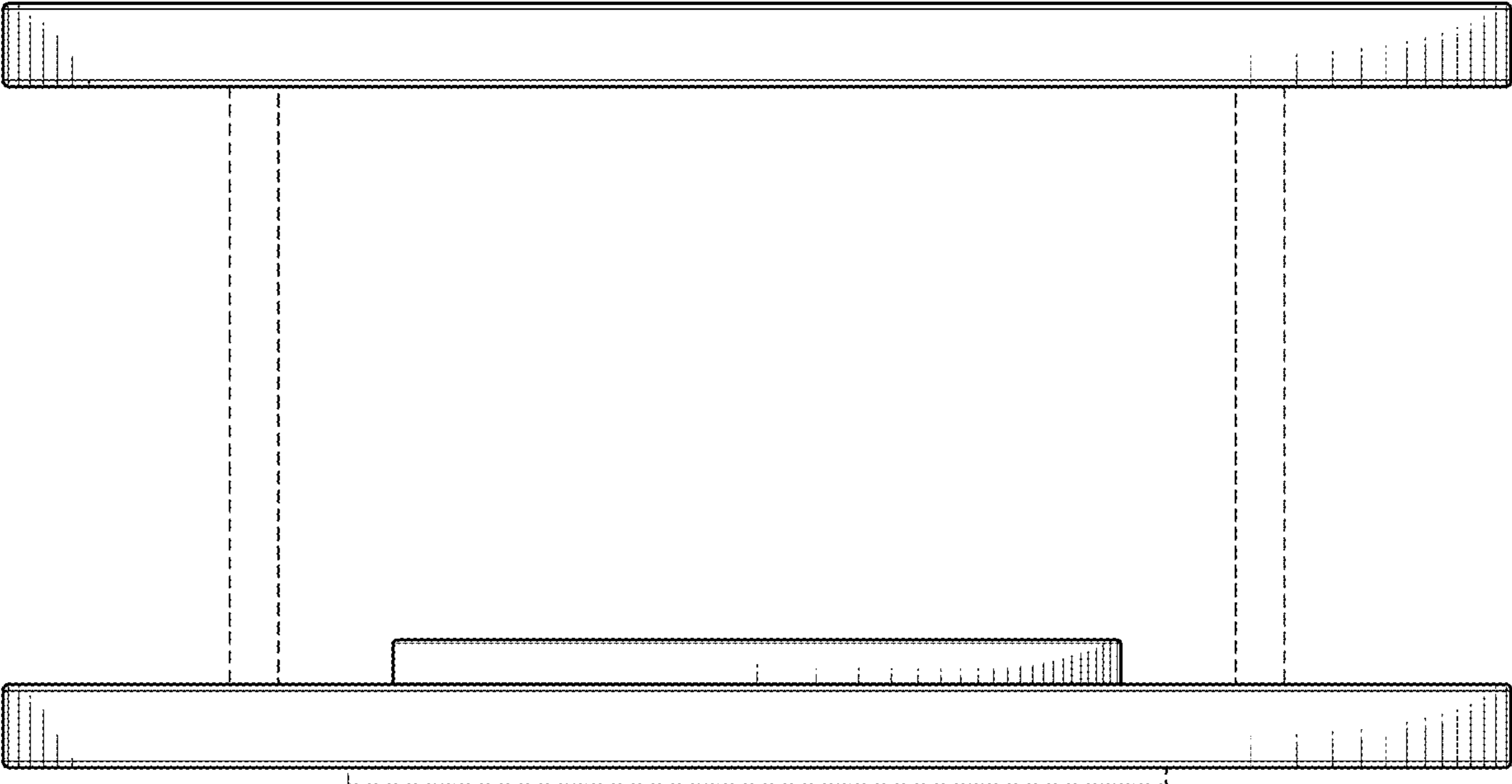


FIG. 2

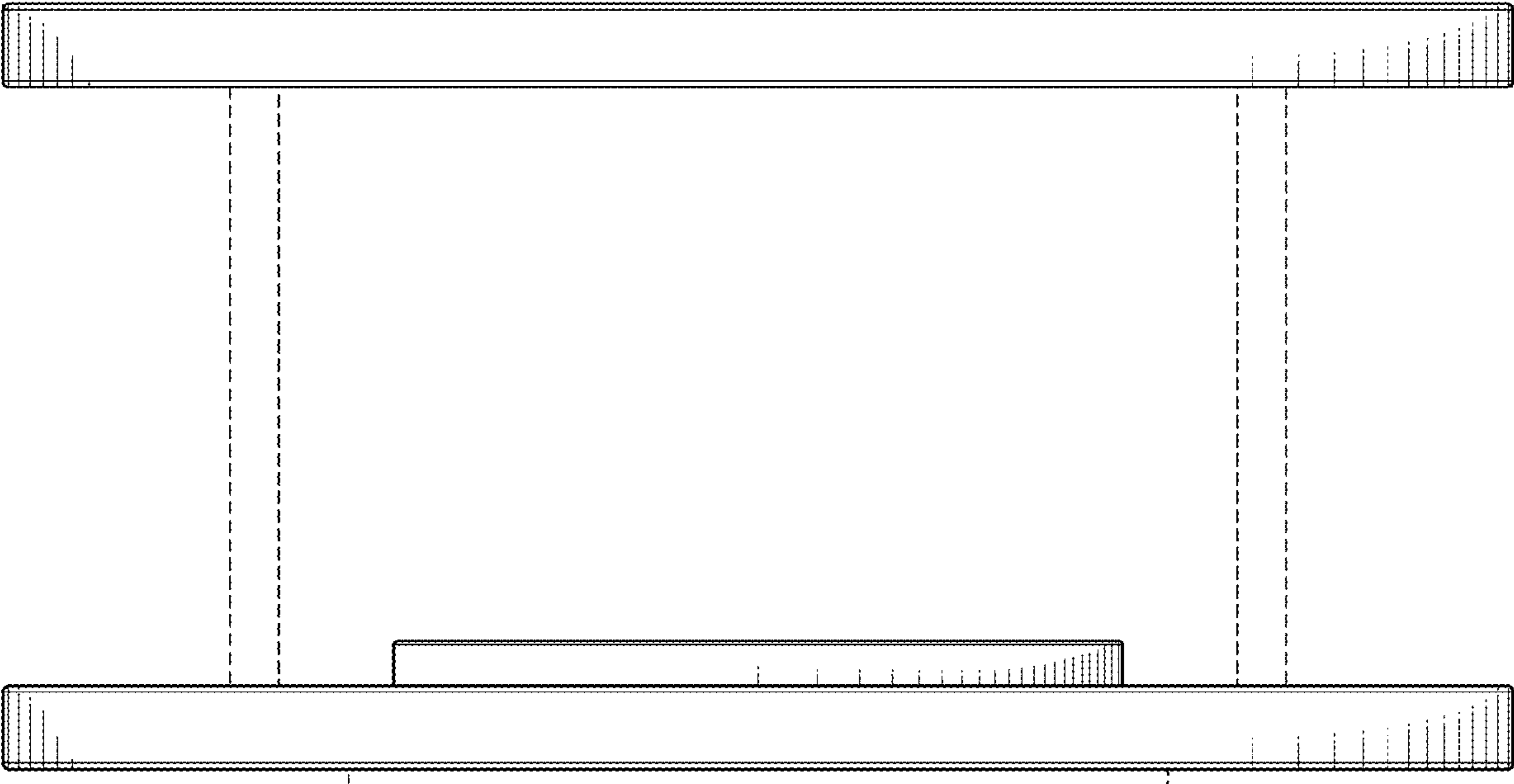


FIG. 3

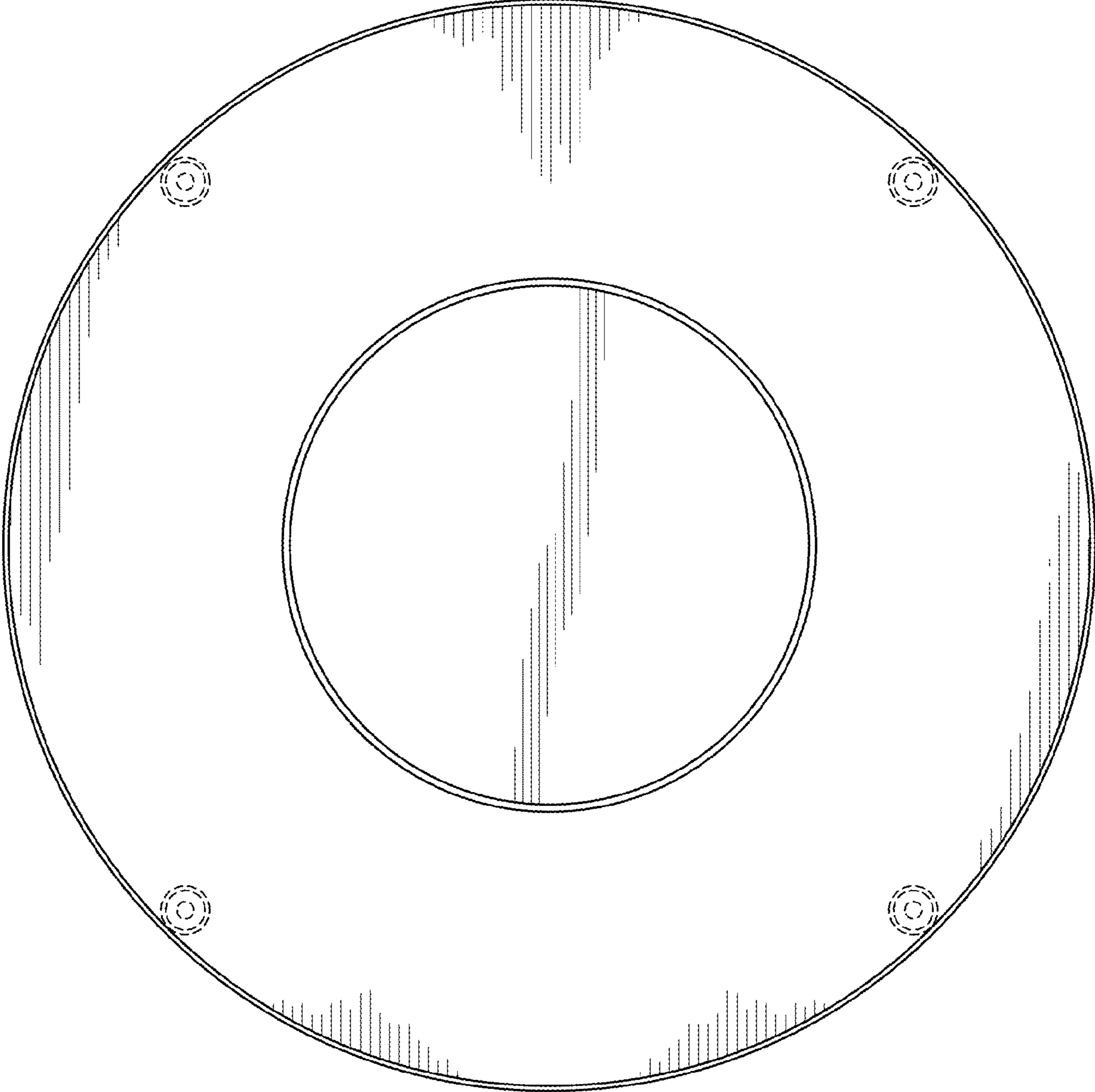


FIG. 4

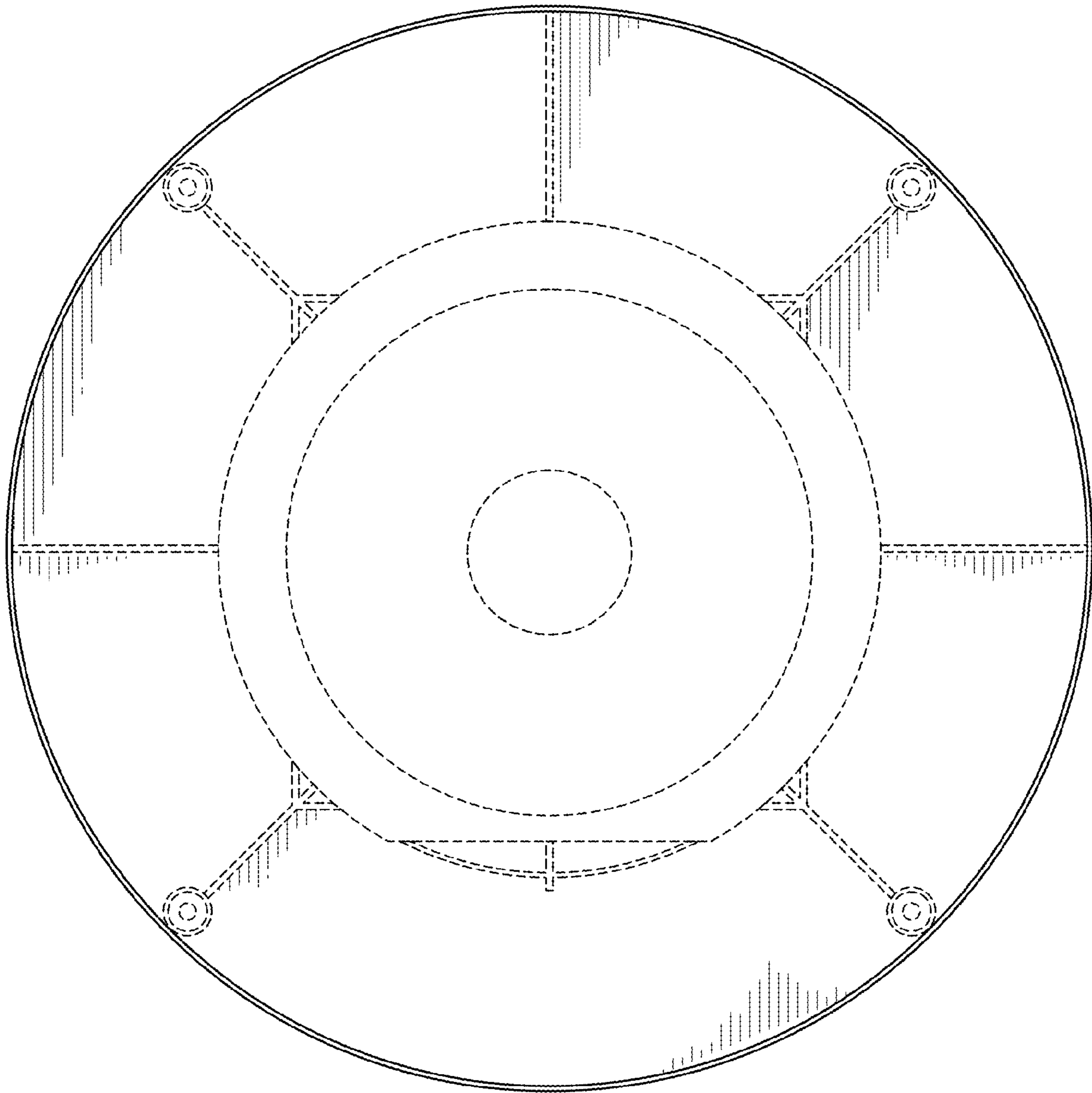


FIG. 5