



US00D888477S

(12) **United States Design Patent**
Clayton

(10) **Patent No.:** **US D888,477 S**

(45) **Date of Patent:** **** Jun. 30, 2020**

- (54) **PIVOTABLE SHELF**
- (71) Applicant: **Dennis Clayton**, Covington, GA (US)
- (72) Inventor: **Dennis Clayton**, Covington, GA (US)
- (**) Term: **15 Years**
- (21) Appl. No.: **29/642,839**
- (22) Filed: **Apr. 2, 2018**
- (51) **LOC (12) Cl.** **06-06**
- (52) **U.S. Cl.**
USPC **D6/705.1**
- (58) **Field of Classification Search**
USPC D6/312, 672, 678, 678.1, 679, 704, 705,
D6/705.1, 707; D7/500, 501
CPC A47B 46/00; A47B 46/005; A47B 49/00;
A47B 96/02; A47F 5/025; A47F 5/0043
See application file for complete search history.

D443,165 S *	6/2001	Petri	D6/574
D485,716 S *	1/2004	Boron	D6/574
D493,311 S *	7/2004	Searer	D6/705
7,093,726 B1 *	8/2006	Holztrager	A47F 5/0043
			211/153
D595,088 S *	6/2009	Watts	D7/501
D633,182 S *	2/2011	Cohen	D23/249
D661,577 S *	6/2012	Strilich	D9/424
D814,219 S *	4/2018	Clayton	D6/705.1
D814,220 S *	4/2018	Clayton	D6/705.1
D866,264 S *	11/2019	Sayler	D7/554.2

* cited by examiner

Primary Examiner — Kelley A Donnelly

(74) *Attorney, Agent, or Firm* — Michael J. Bootcheck;
Michael J. Bootcheck, LLC

(57) **CLAIM**

The ornamental design for a pivotable shelf, as shown and described.

DESCRIPTION

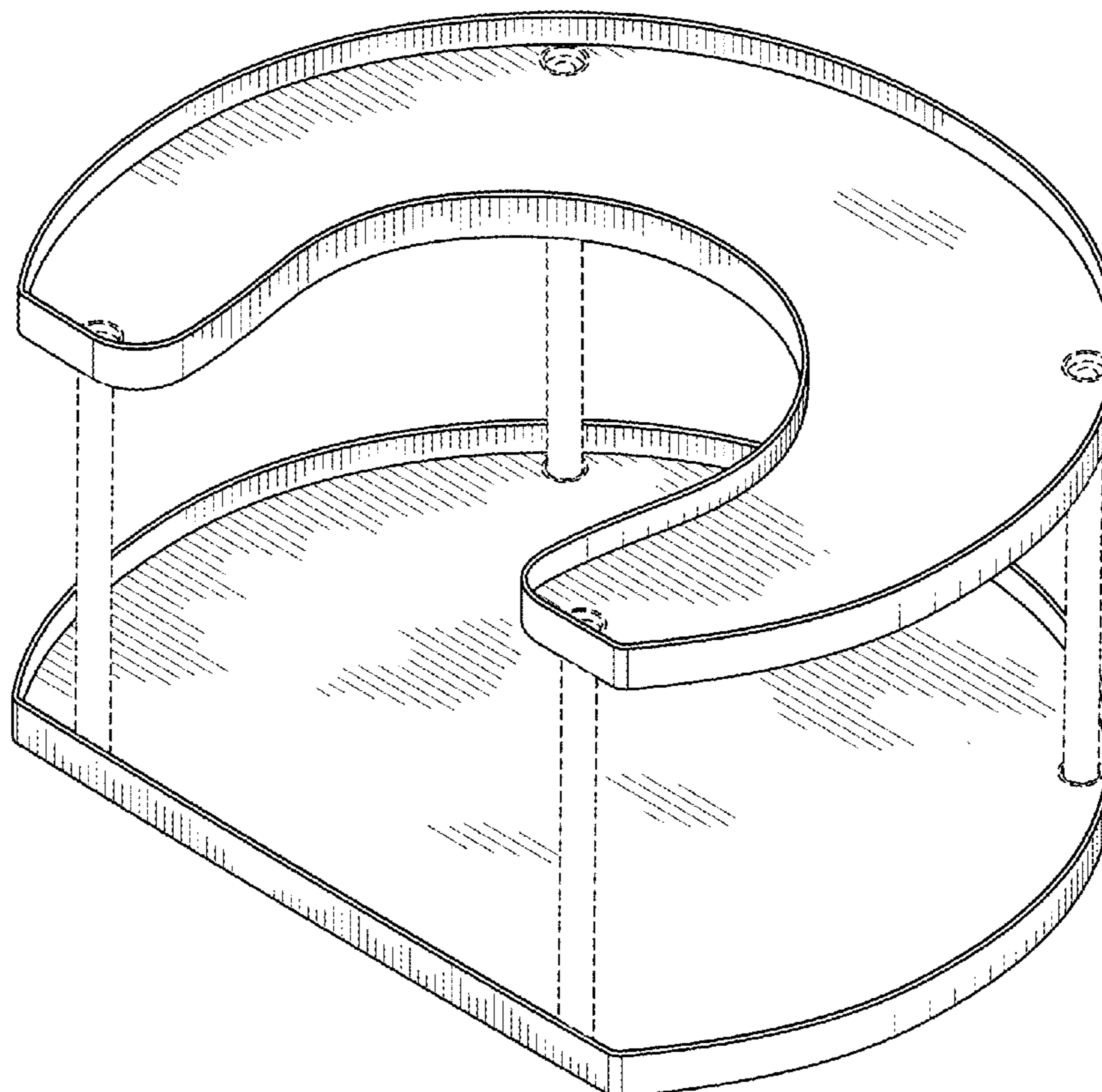
FIG. 1 is an upper perspective view of the pivotable shelf;
 FIG. 2 is a bottom perspective view thereof;
 FIG. 3 front view thereof;
 FIG. 4 is a rear view thereof;
 FIG. 5 is a side view thereof;
 FIG. 6 is an opposite side view thereof;
 FIG. 7 is a top view thereof; and,
 FIG. 8 is a bottom view thereof with optional components in phantom lines and not a claimed part of this invention.

1 Claim, 6 Drawing Sheets

(56) **References Cited**

U.S. PATENT DOCUMENTS

3,636,299 A *	1/1972	Stewart, Jr.	A47J 27/004
			219/201
D364,057 S *	11/1995	Bowman	D6/705.7
D370,148 S *	5/1996	Maharg	D6/574
D371,958 S *	7/1996	Keaton	D7/388
D378,792 S *	4/1997	Westcott	D7/501
D388,988 S *	1/1998	Twelmann	D6/705
D403,546 S *	1/1999	Moon	D6/574
D436,269 S *	1/2001	Kane	D6/341



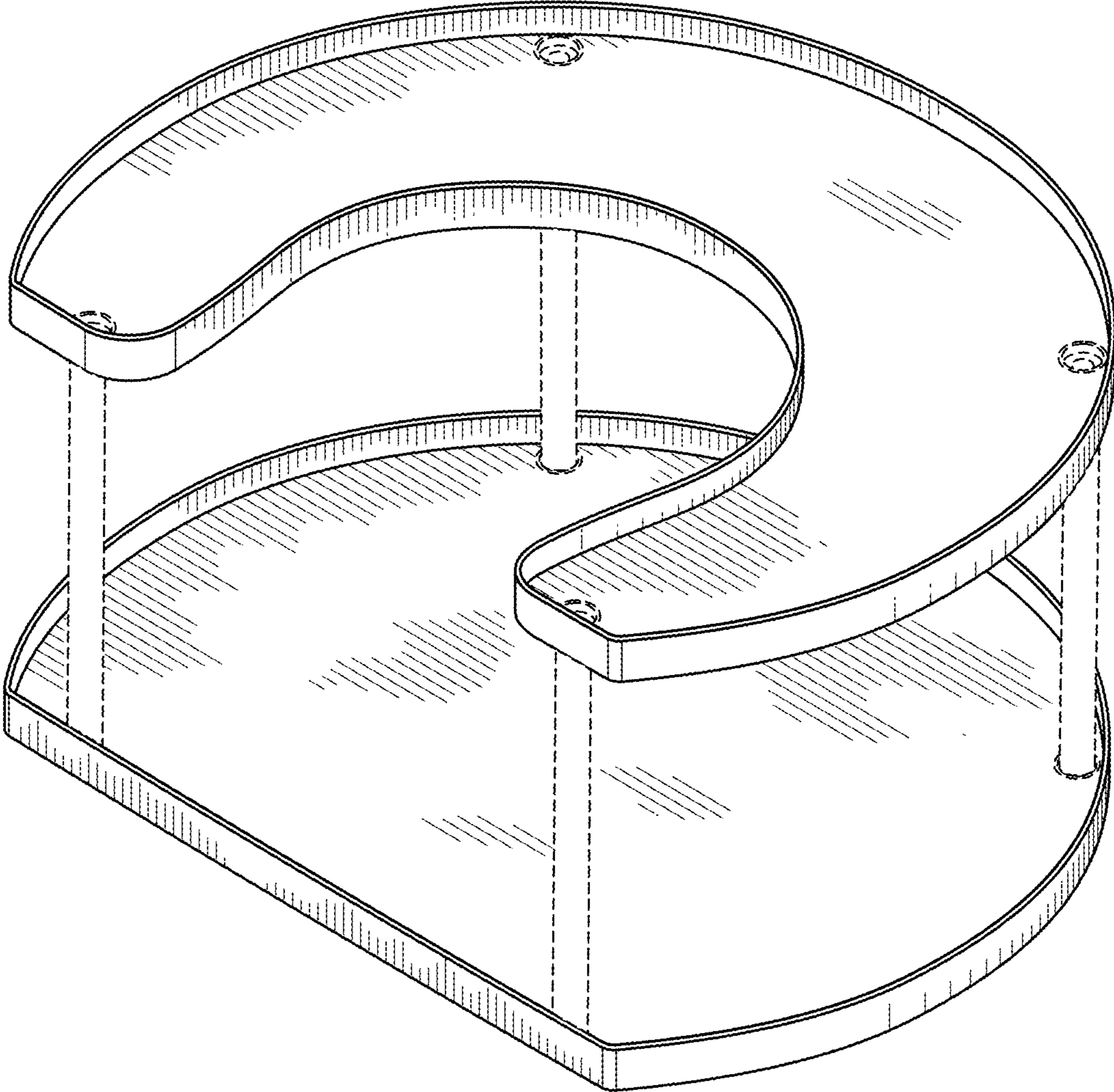


FIG. 1

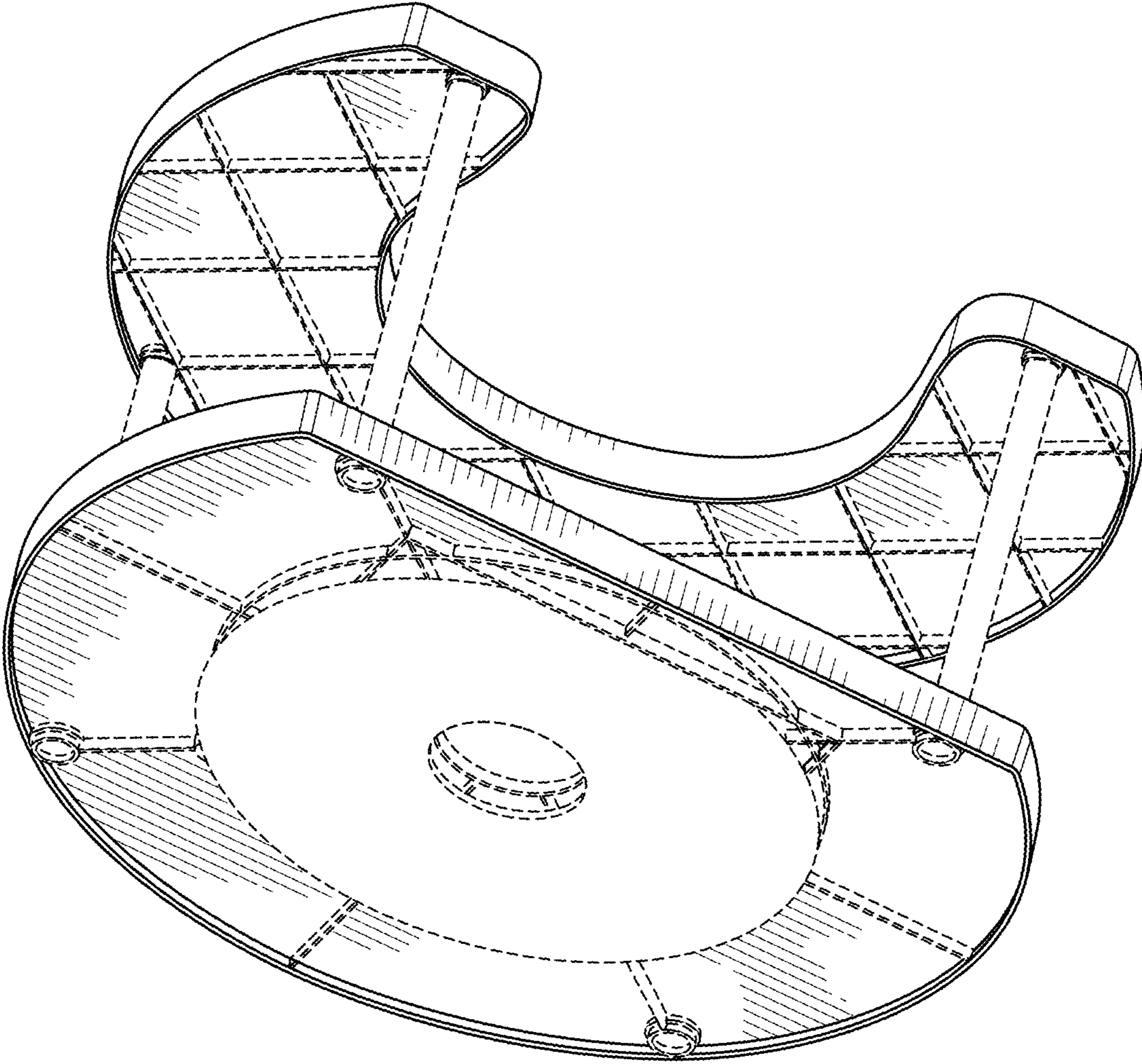


FIG. 2

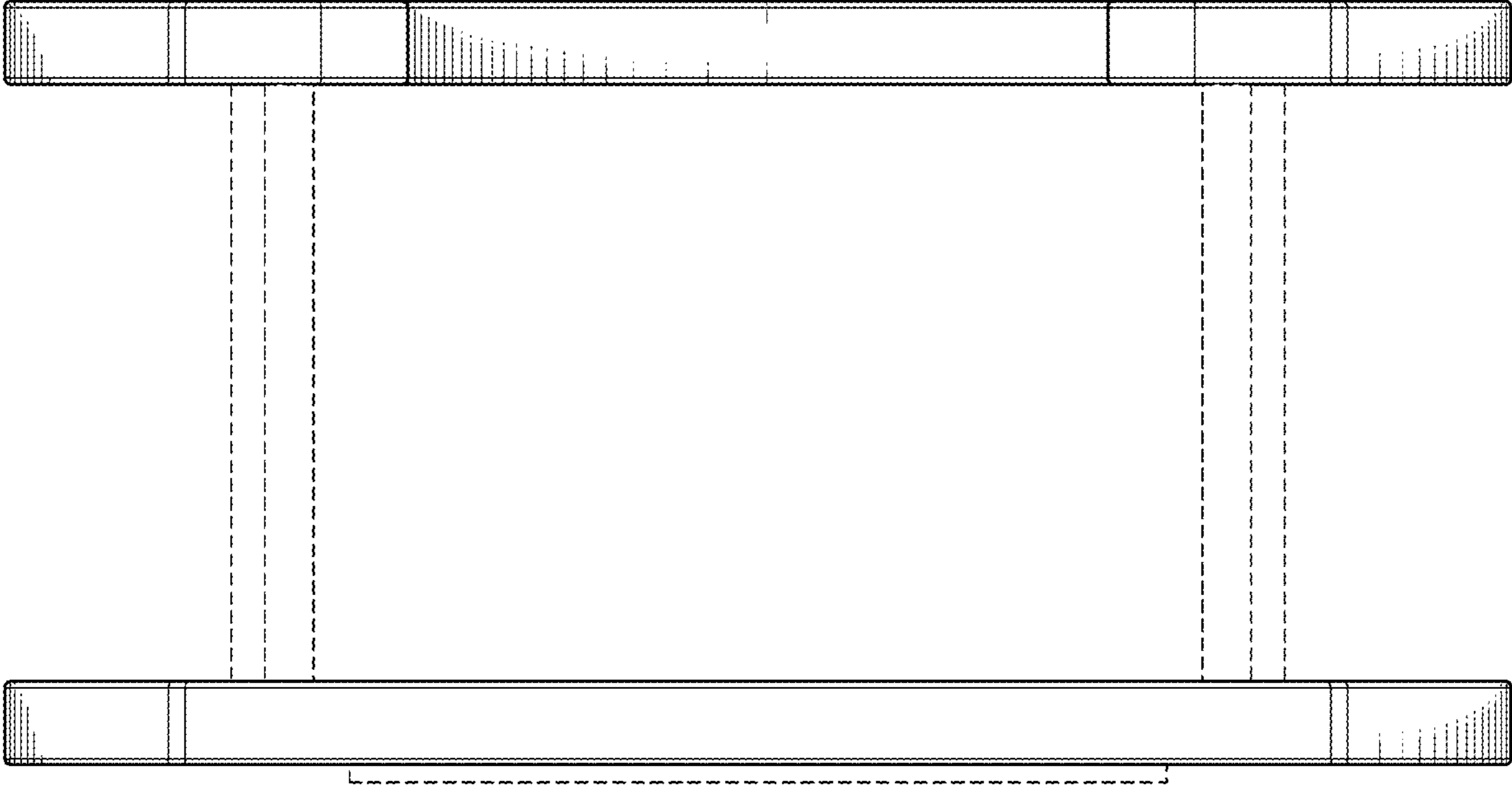


FIG. 3



FIG. 4

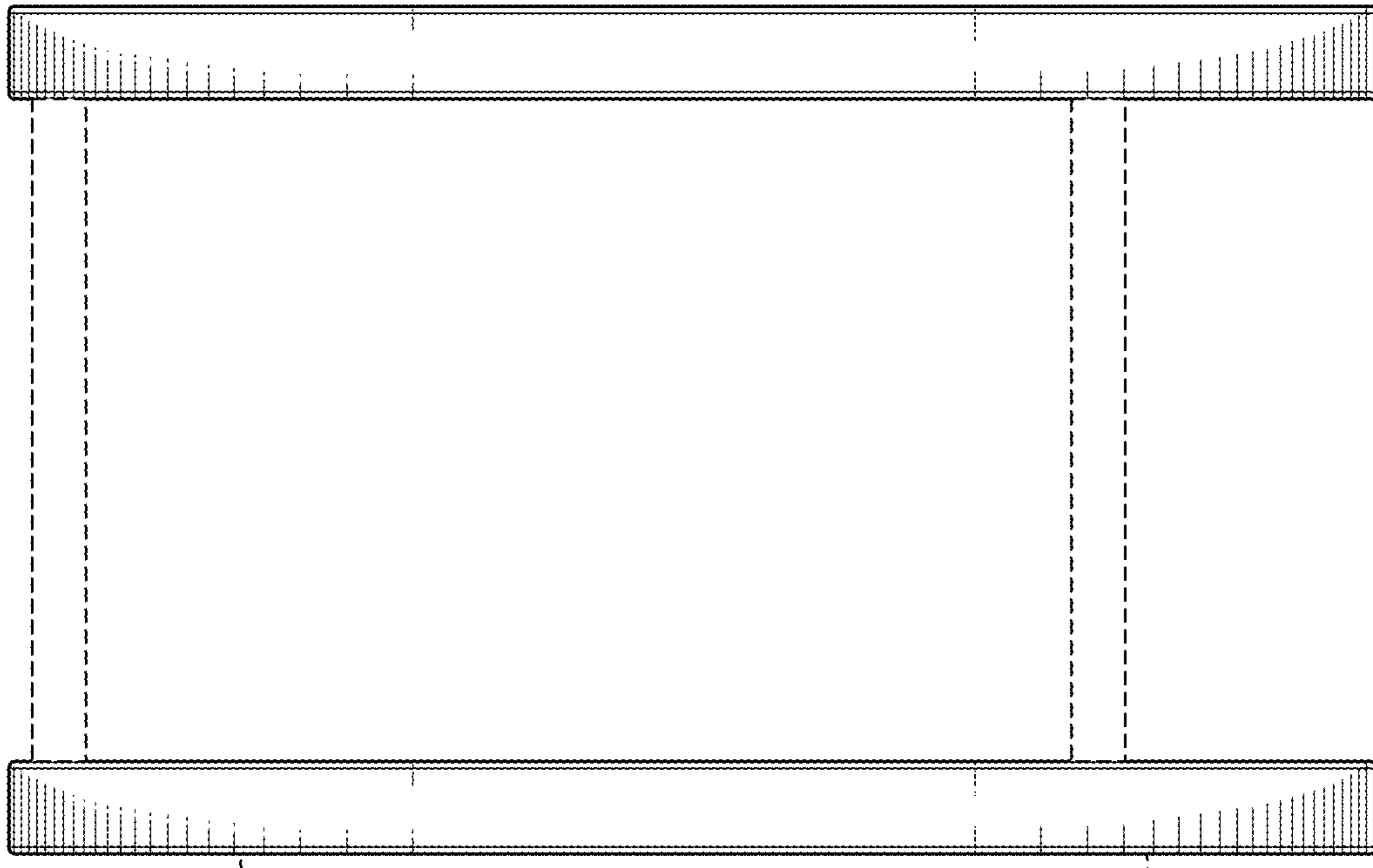


FIG. 5

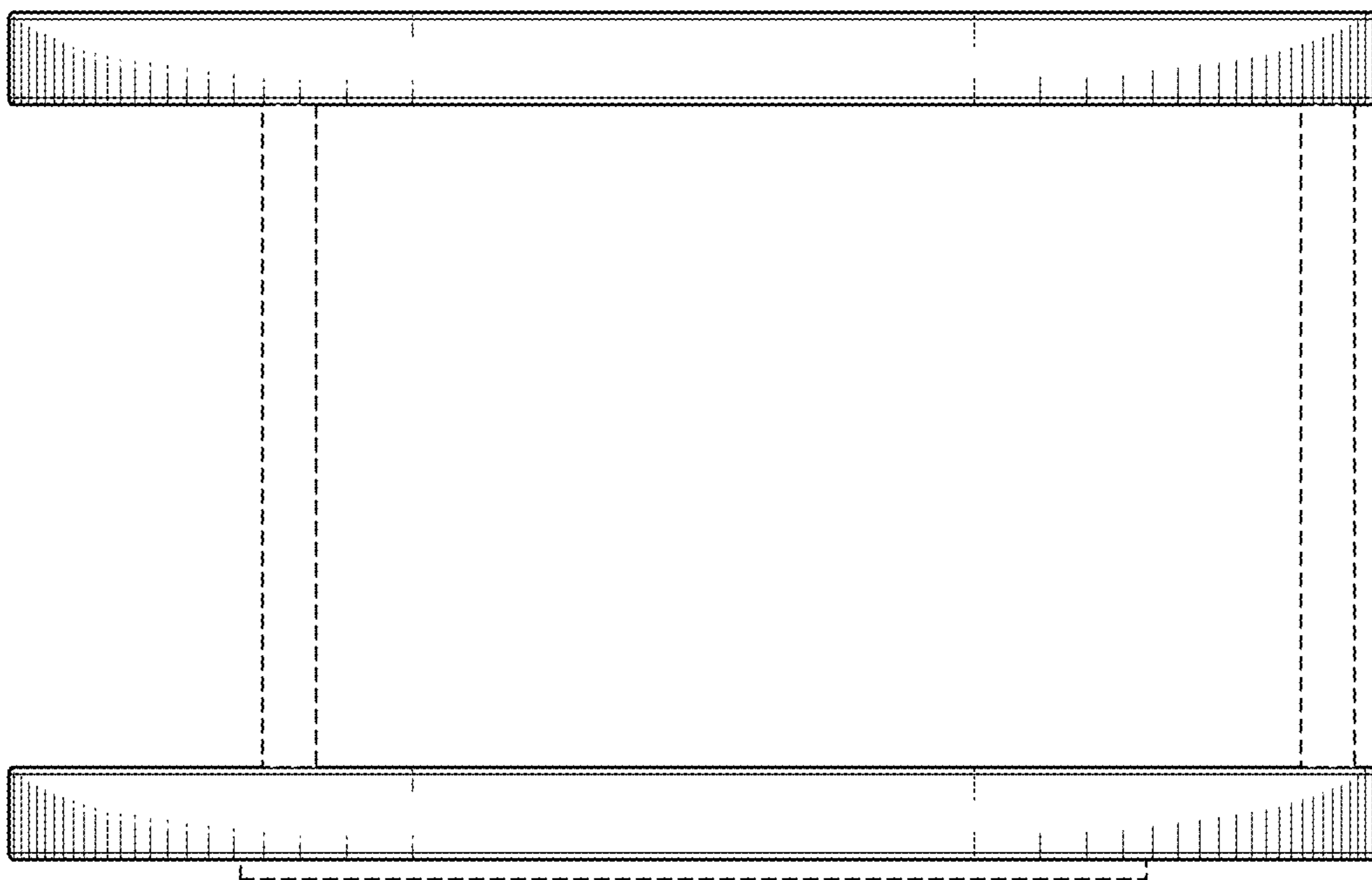


FIG. 6

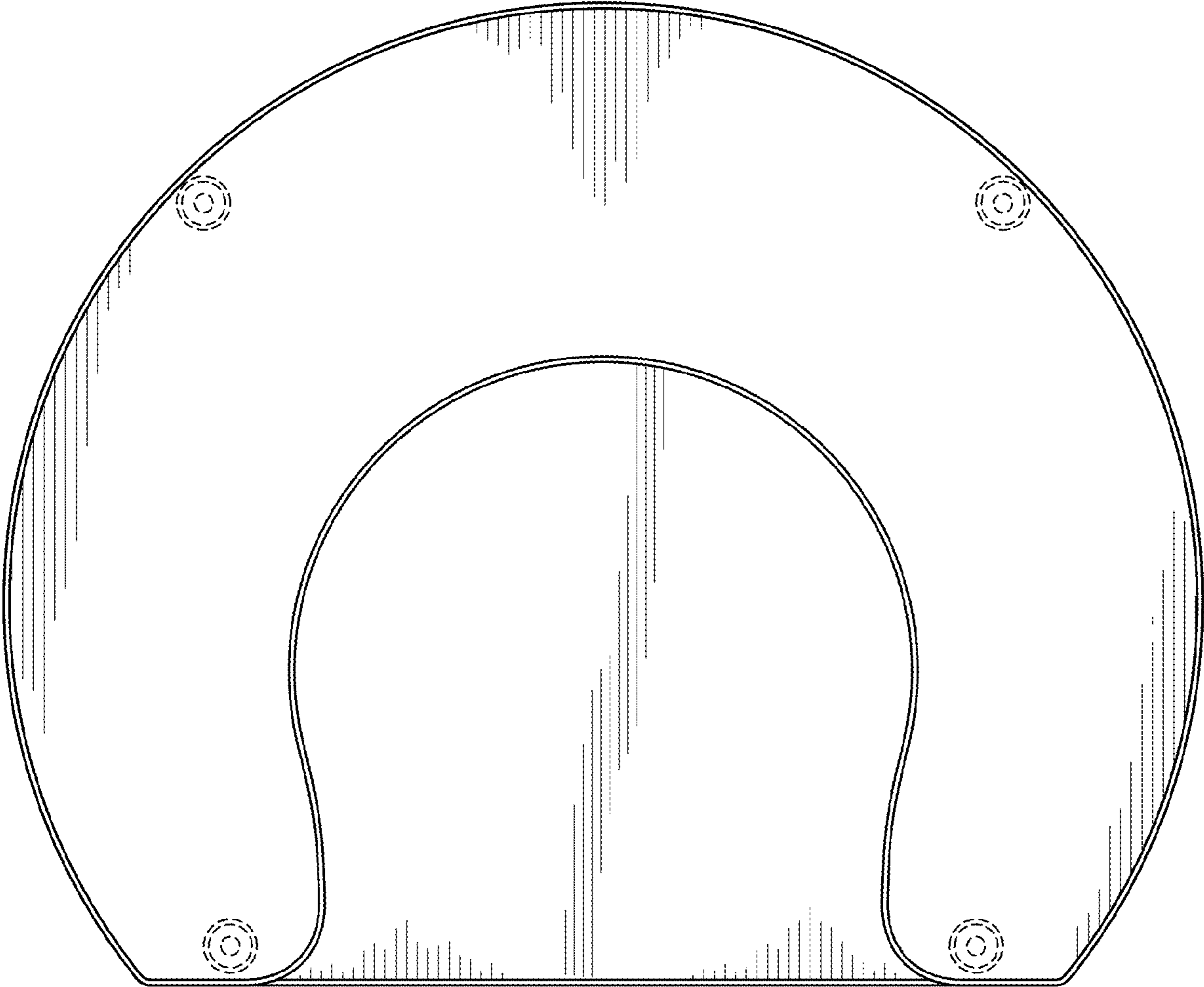


FIG. 7

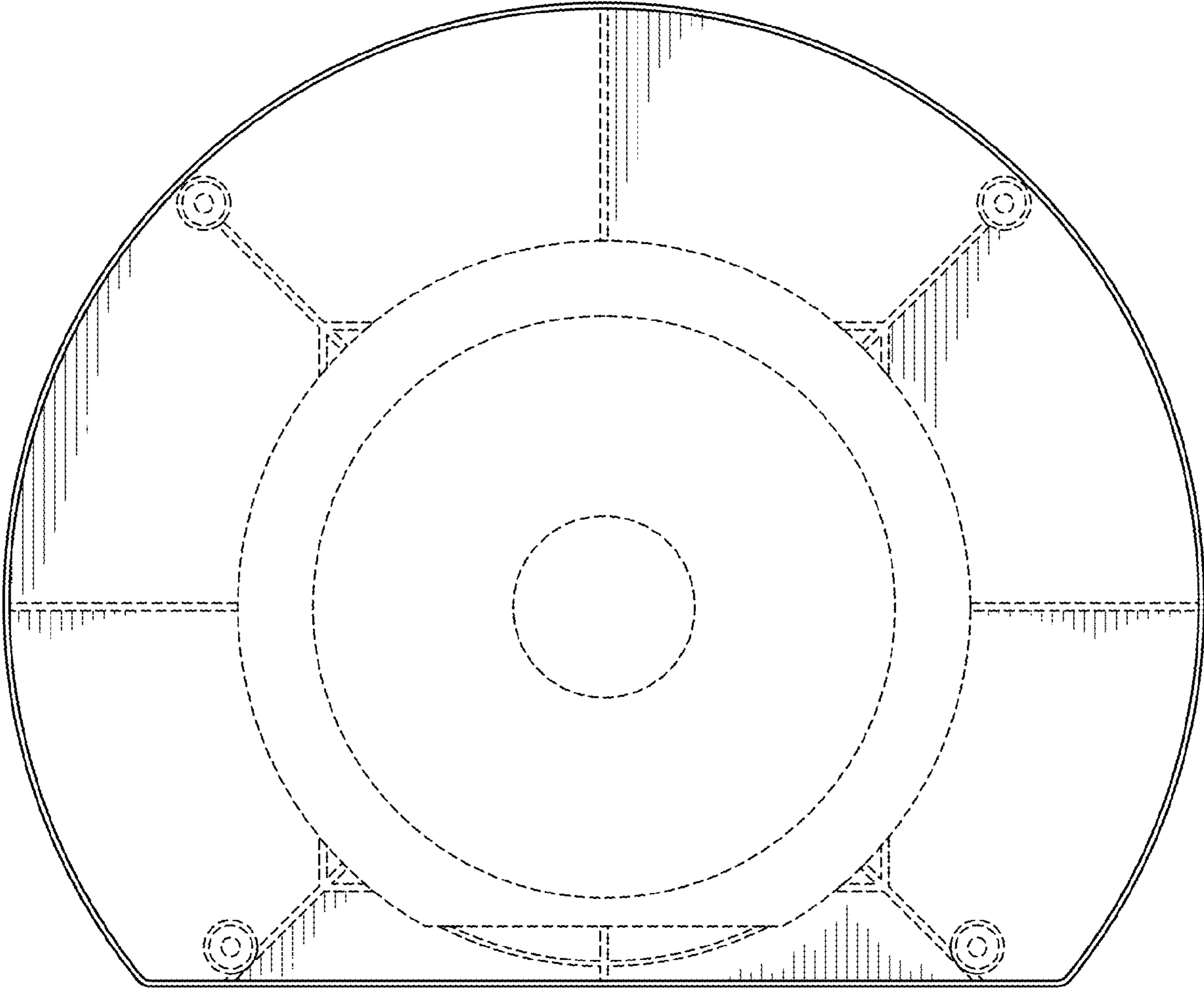


FIG. 8