



US00D888475S

(12) **United States Design Patent**
Zorzi

(10) **Patent No.:** **US D888,475 S**
(45) **Date of Patent:** **** Jun. 30, 2020**

(54) **TABLE**
(71) Applicant: **Elisa Zorzi**, Christ Church (BB)
(72) Inventor: **Elisa Zorzi**, Christ Church (BB)
(**) Term: **15 Years**

D178,055 S * 6/1956 Herrmann D6/657
D363,176 S * 10/1995 Berry, Jr. D6/691.2
D815,465 S * 4/2018 Hannoosh D6/657

(21) Appl. No.: **29/641,820**
(22) Filed: **Mar. 26, 2018**

OTHER PUBLICATIONS

Mid-Century Side Table with Drawer—Pamono <https://www.pamono.com/mid-century-side-table-with-drawer> retrieved from the internet on Oct. 31, 2019.*
Shaker Side Table with Drawer—Chilton Furniture <https://www.chiltons.com/collections/living-room-furniture/products/shaker-side-table-with-drawer> retrieved from the internet on Oct. 31, 2019.*

(30) **Foreign Application Priority Data**

Sep. 26, 2017 (EM) RCD 004251007

* cited by examiner

(51) **LOC (12) Cl.** **06-03**

Primary Examiner — Mary Ann Calabrese

(52) **U.S. Cl.**
USPC **D6/691**

(74) *Attorney, Agent, or Firm* — Howson & Howson LLP

(58) **Field of Classification Search**
USPC D6/657, 663, 685, 686, 690, 691.1–691.9
CPC A47B 7/00; A47B 13/00; A47B 13/02;
A47B 13/04; A47B 13/06; A47B 13/08;
A47B 13/12; A47B 21/00; A47B
2200/0001; A47B 2200/0011; A47B
2200/002

(57) **CLAIM**

The ornamental design for a table, as shown and described.

See application file for complete search history.

DESCRIPTION

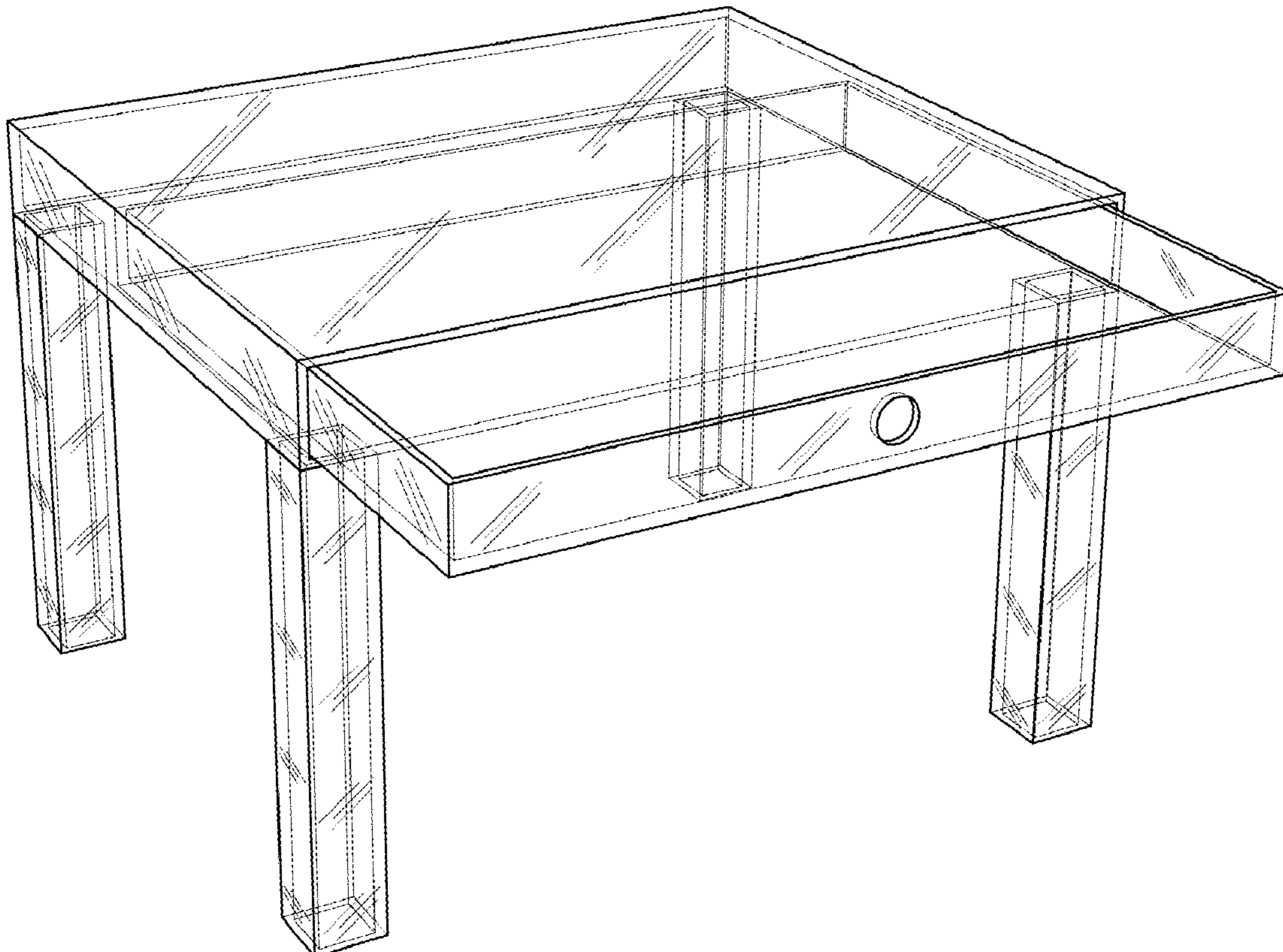
FIG. 1 is a top perspective view showing my new design, with the drawer partially open; and, FIG. 2 is a front perspective view thereof, with the drawer closed.

(56) **References Cited**

U.S. PATENT DOCUMENTS

D100,453 S * 7/1936 Conwell D6/663
D155,976 S * 11/1949 Dunham D6/655

1 Claim, 2 Drawing Sheets



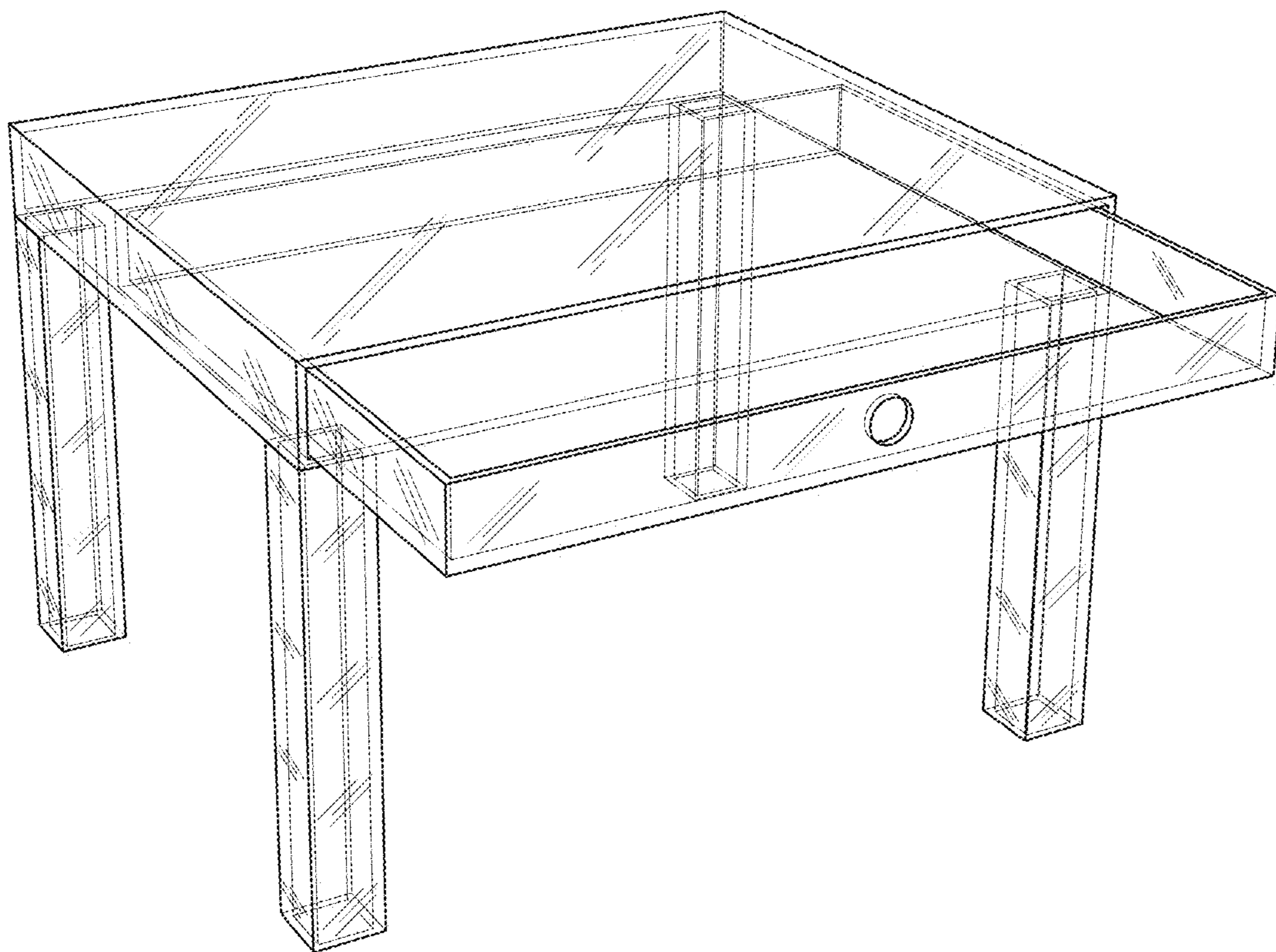


FIG. 1

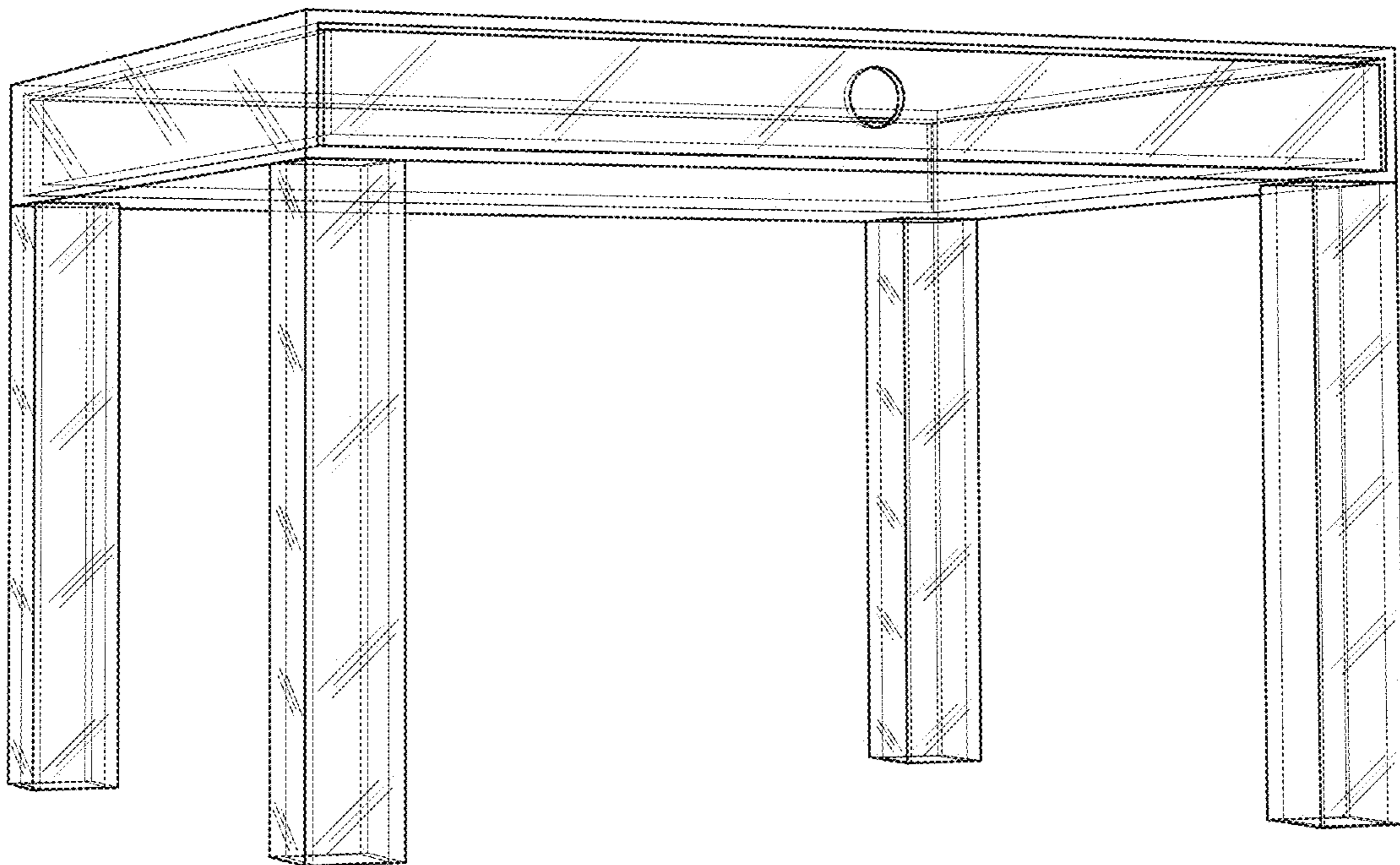


FIG. 2