



US00D888474S

(12) **United States Design Patent**  
**Li**

(10) **Patent No.:** **US D888,474 S**  
(45) **Date of Patent:** **\*\* Jun. 30, 2020**

(54) **JEWELRY ORGANIZER**  
(71) Applicant: **SHENZHENSHI HONGYUE KEJI**  
**YOUXIANGONGSI**, Shenzhen (CN)  
(72) Inventor: **Hongchao Li**, Shenzhen (CN)  
(73) Assignee: **SHENZHENSHI HONGYUE KEJI**  
**YOUXIANGONGSI**, Shenzhen (CN)  
(\*\*) Term: **15 Years**

D459,106 S \* 6/2002 Walter ..... D6/681.1  
D467,094 S \* 12/2002 Bodzioch ..... D6/682  
D483,203 S 12/2003 Dennig  
D496,191 S \* 9/2004 Johnson ..... D6/681.3  
D563,694 S \* 3/2008 Mitchell ..... D6/682.6  
D584,536 S 1/2009 Tseng  
D610,367 S \* 2/2010 Mandel ..... D19/77  
D655,530 S \* 3/2012 Denby ..... D6/681.1  
9,107,514 B1 \* 8/2015 Morieras ..... A47F 7/02  
D761,601 S \* 7/2016 Simmons ..... D6/681  
D762,403 S \* 8/2016 Williams ..... D6/681.1  
10,092,116 B1 \* 10/2018 Johns ..... A47F 7/022  
D848,187 S \* 5/2019 Lee ..... D6/681.1

(21) Appl. No.: **29/727,611**

\* cited by examiner

(22) Filed: **Mar. 12, 2020**

*Primary Examiner* — Kelley A Donnelly

(51) **LOC (12) Cl.** ..... **06-06**

(57) **CLAIM**

(52) **U.S. Cl.**  
USPC ..... **D6/682.6**

The ornamental design for a jewelry organizer, as shown and described.

(58) **Field of Classification Search**  
USPC ..... D6/672, 675, 675.1, 678, 678.1, 680.2,  
D6/681, 681.1, 682, 682.5, 682.6  
CPC .. A47F 5/04; A47F 5/0876; A47F 7/00; A47F  
7/02; A47F 5/10  
See application file for complete search history.

**DESCRIPTION**

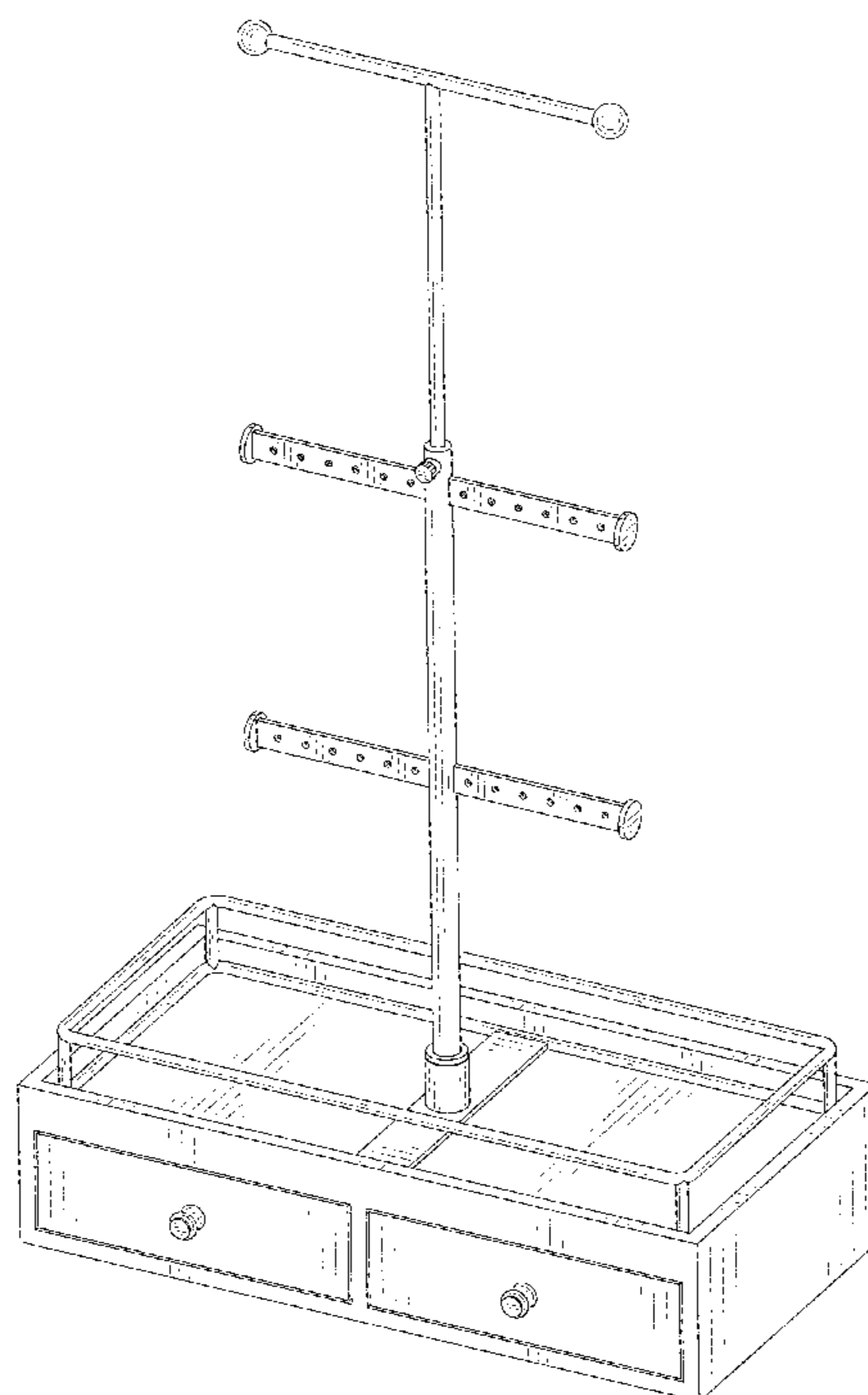
(56) **References Cited**

**U.S. PATENT DOCUMENTS**

3,424,313 A \* 1/1969 Feibelman ..... A47F 5/04  
211/85.2  
D332,881 S \* 2/1993 Blackburn ..... D19/82  
D333,559 S \* 3/1993 Rowley ..... D3/25  
D336,574 S \* 6/1993 Rhodes ..... D6/681.3  
5,568,872 A \* 10/1996 Hinnant, Sr. .... A47F 7/021  
211/85.1  
D396,363 S \* 7/1998 Skrum ..... D6/682.2  
D458,770 S \* 6/2002 Walter ..... D6/681.1

FIG. 1 is a perspective view of a jewelry organizer showing my new design;  
FIG. 2 is another perspective view thereof;  
FIG. 3 is a front elevational view thereof;  
FIG. 4 is a rear elevational view thereof;  
FIG. 5 is a left side elevational view thereof;  
FIG. 6 is a right side elevational view thereof;  
FIG. 7 is a top plan view thereof;  
FIG. 8 is a bottom plan view thereof; and,  
FIG. 9 is a perspective view of the jewelry organizer where the jewelry organizer is in a configuration of use.  
The broken lines in the drawings depict boundaries of the jewelry organizer that form no part of the claimed design.

**1 Claim, 9 Drawing Sheets**



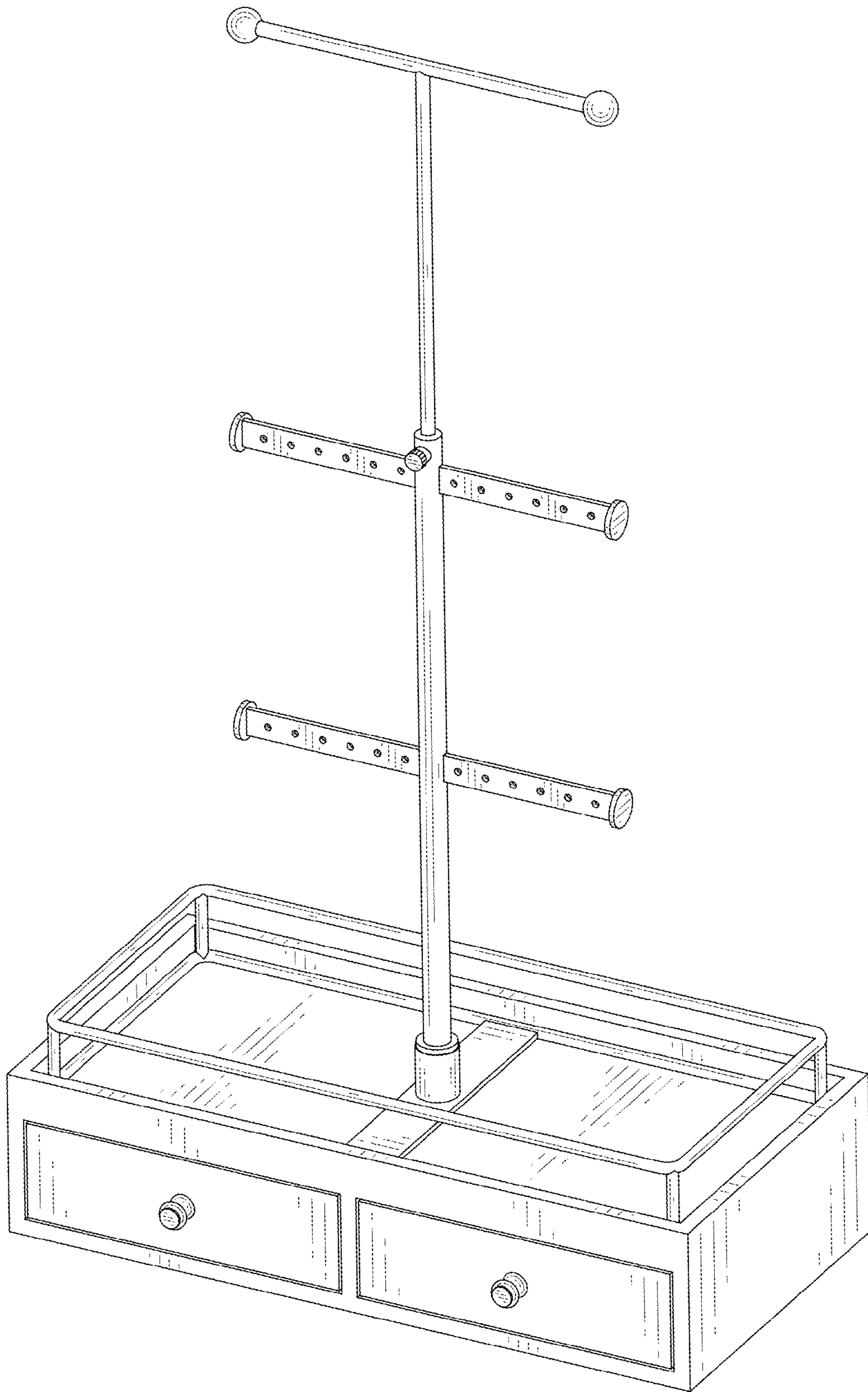


FIG. 1

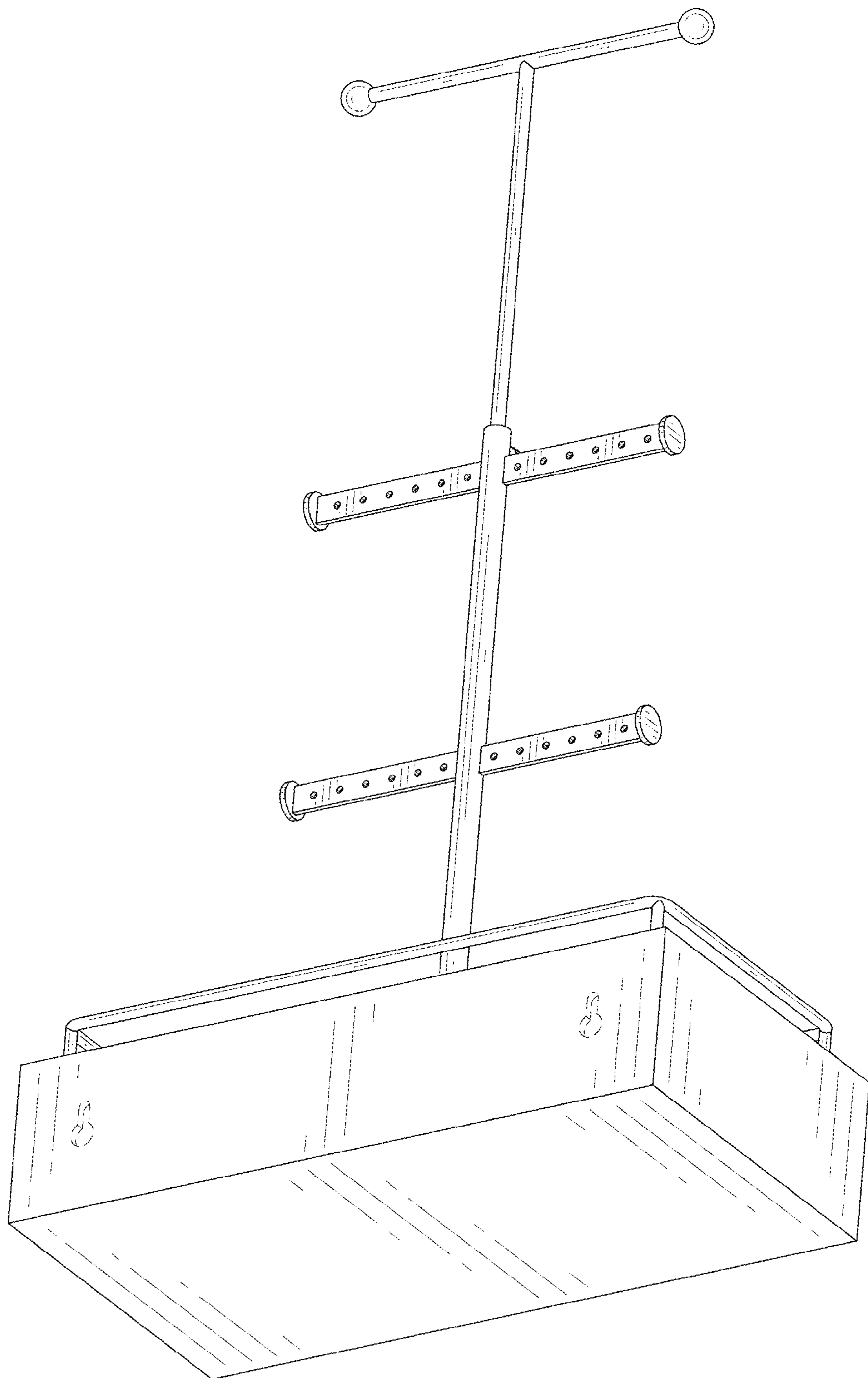


FIG. 2

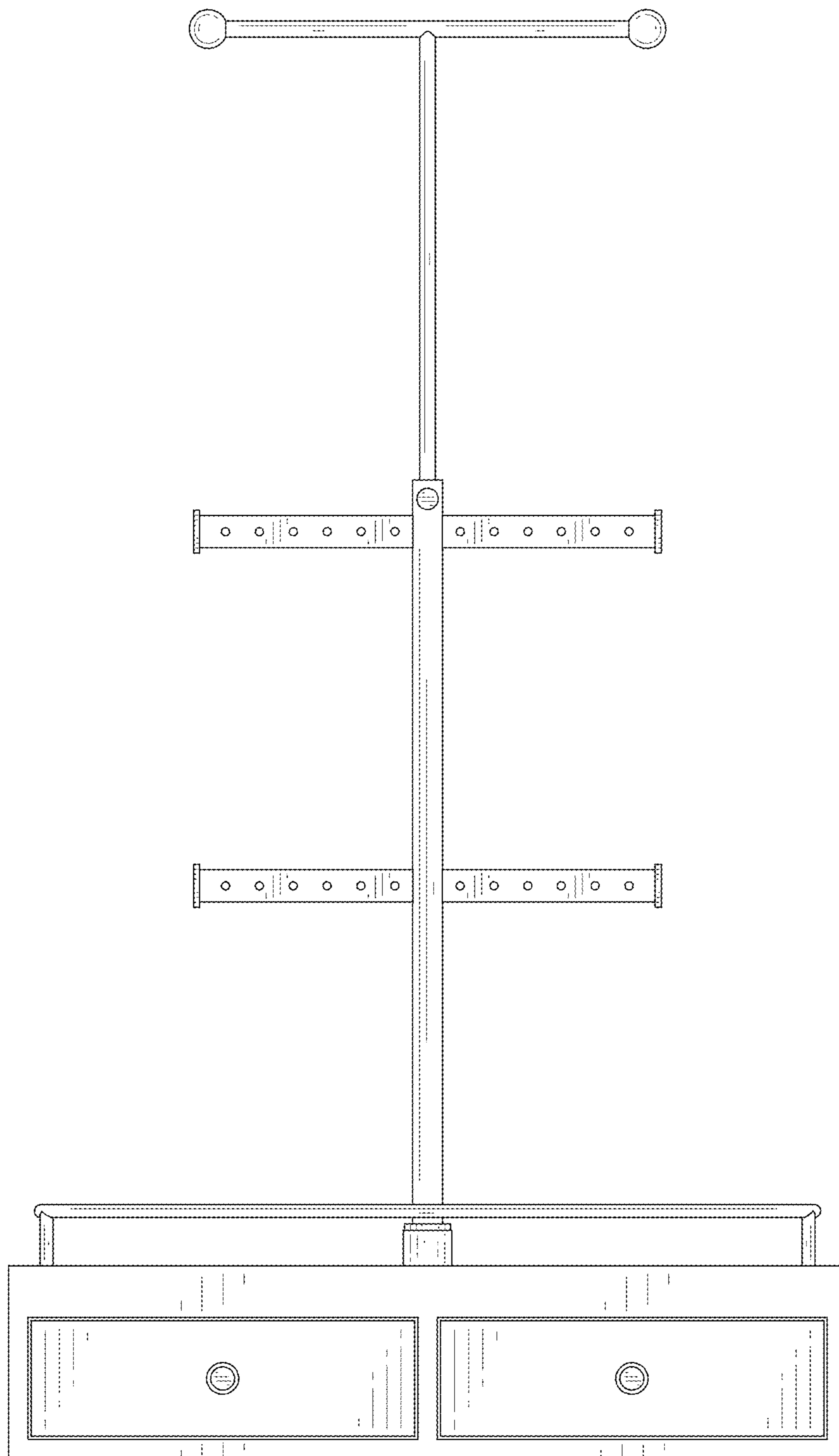


FIG. 3

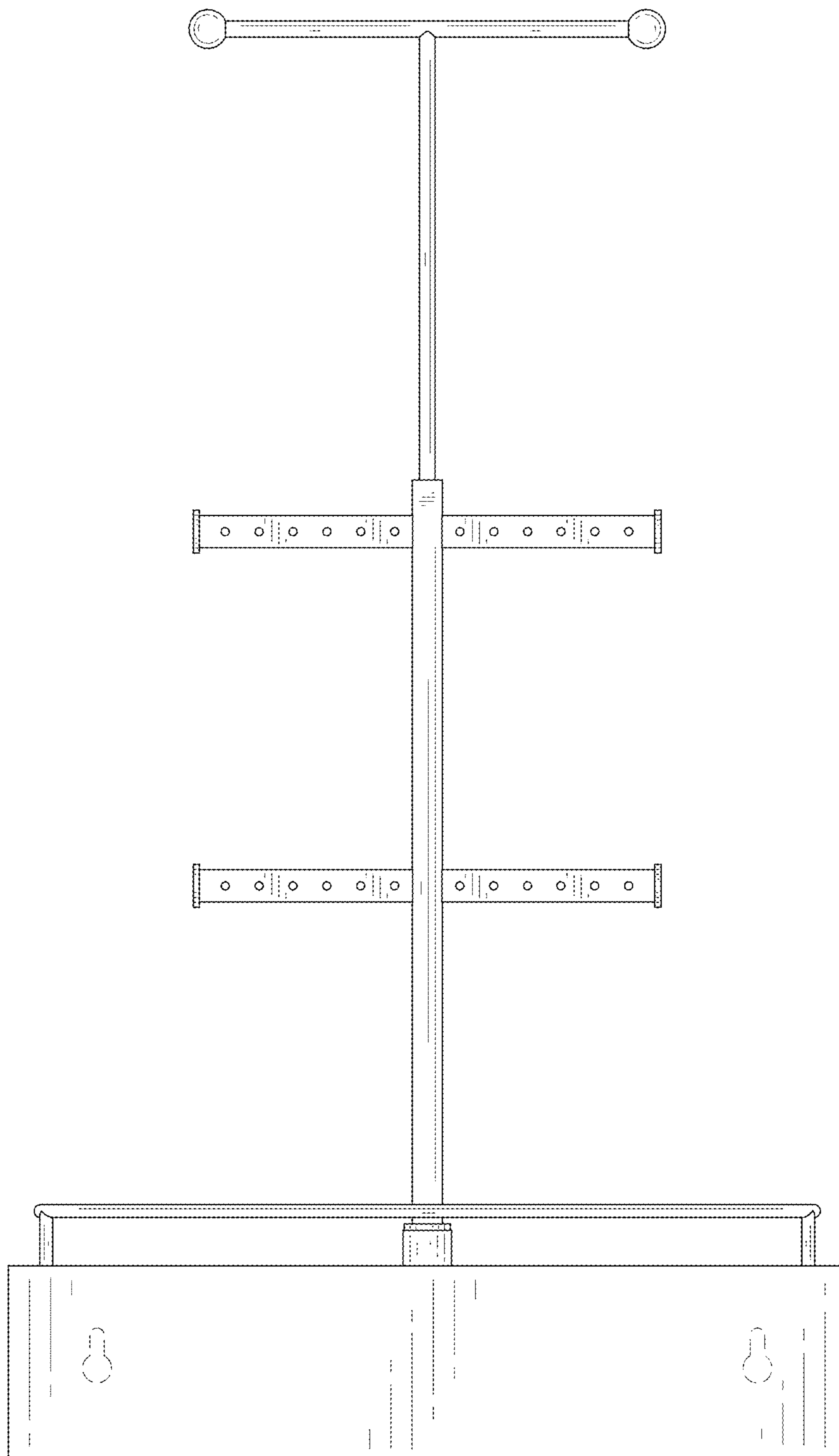


FIG. 4

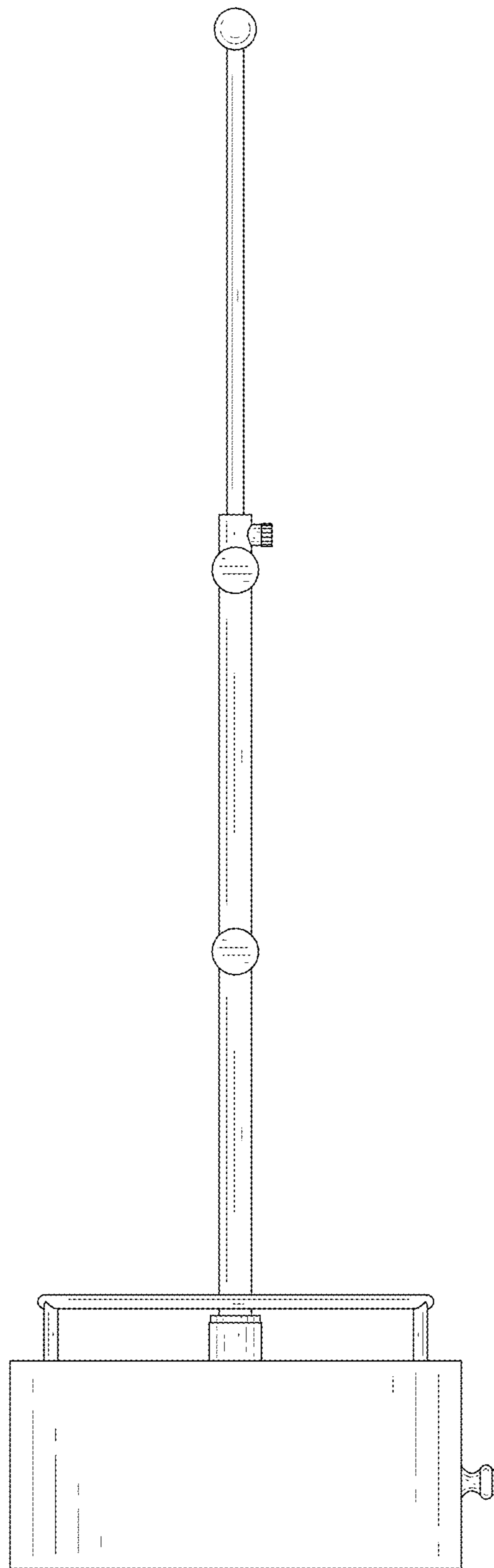


FIG. 5

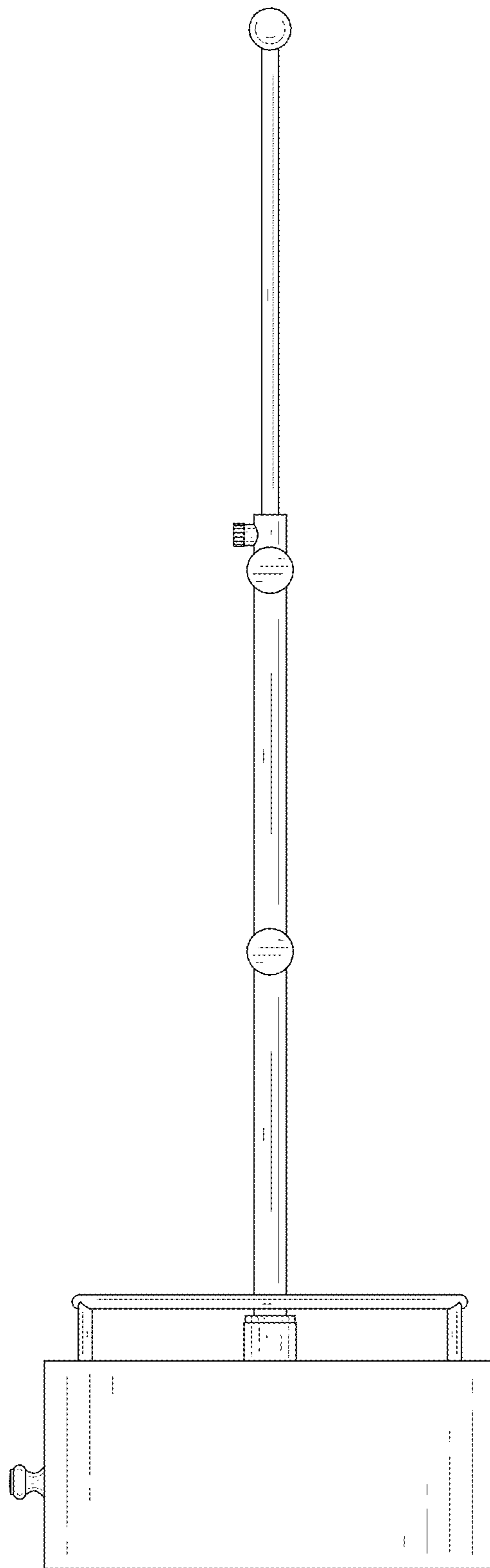


FIG. 6

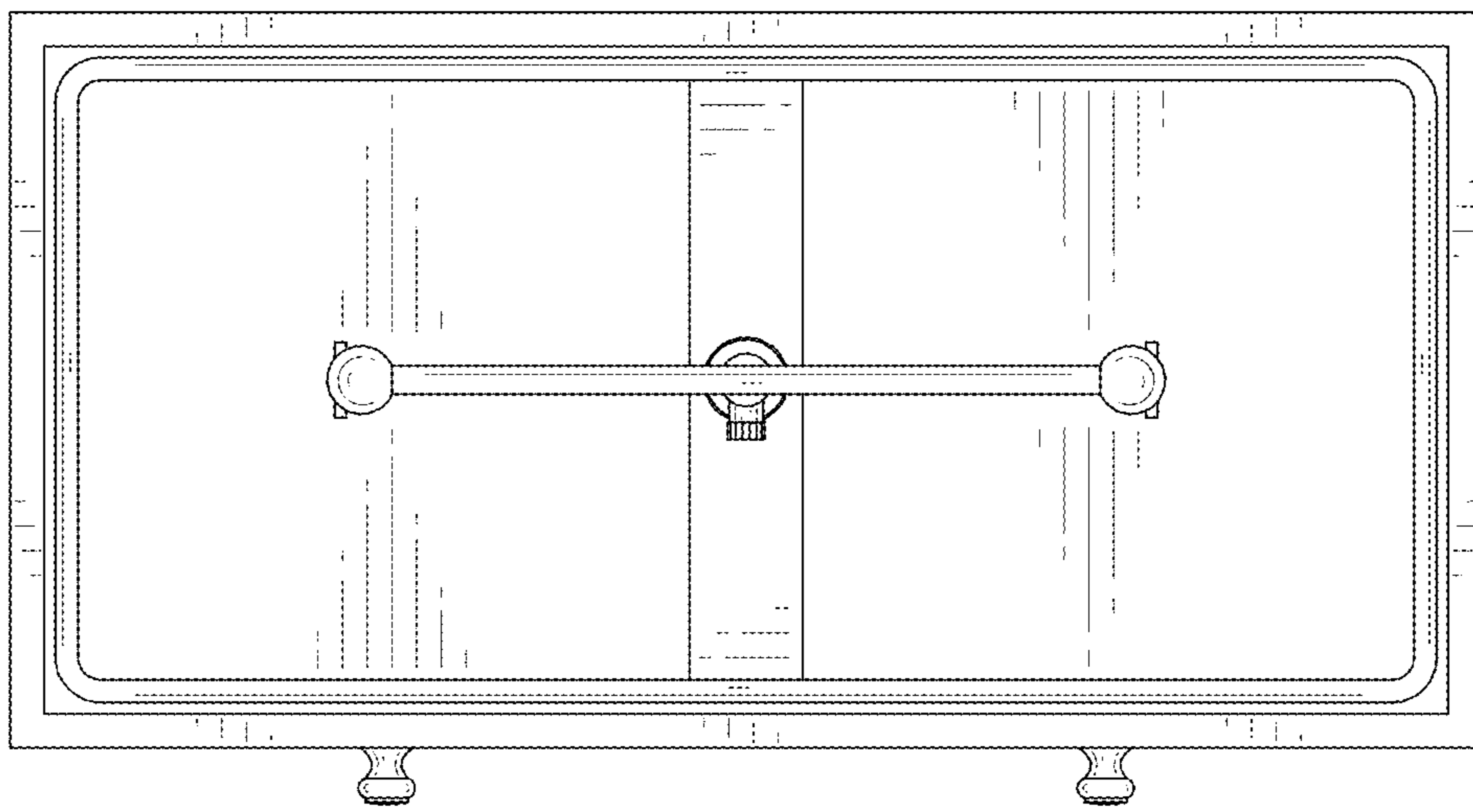


FIG. 7



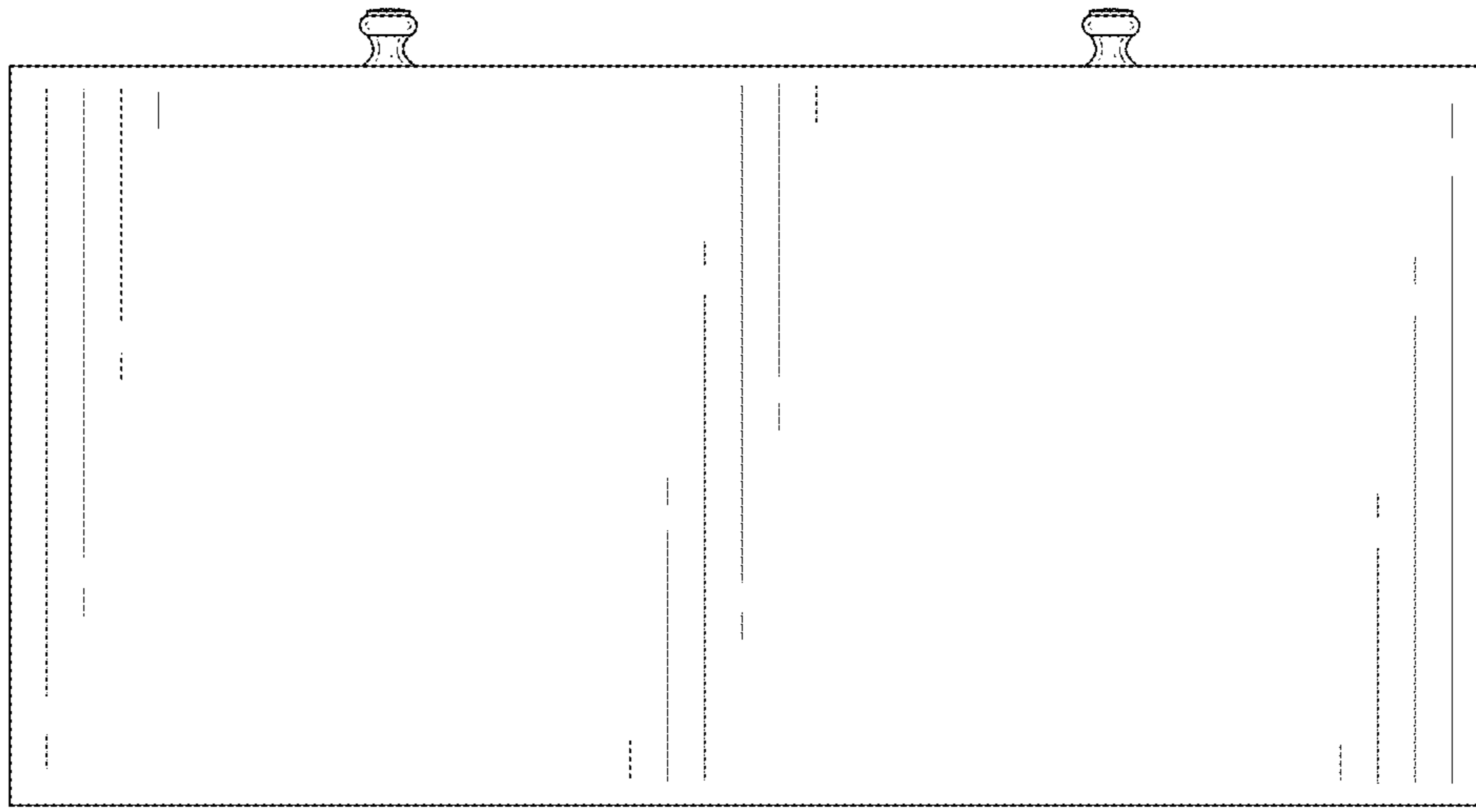


FIG. 8

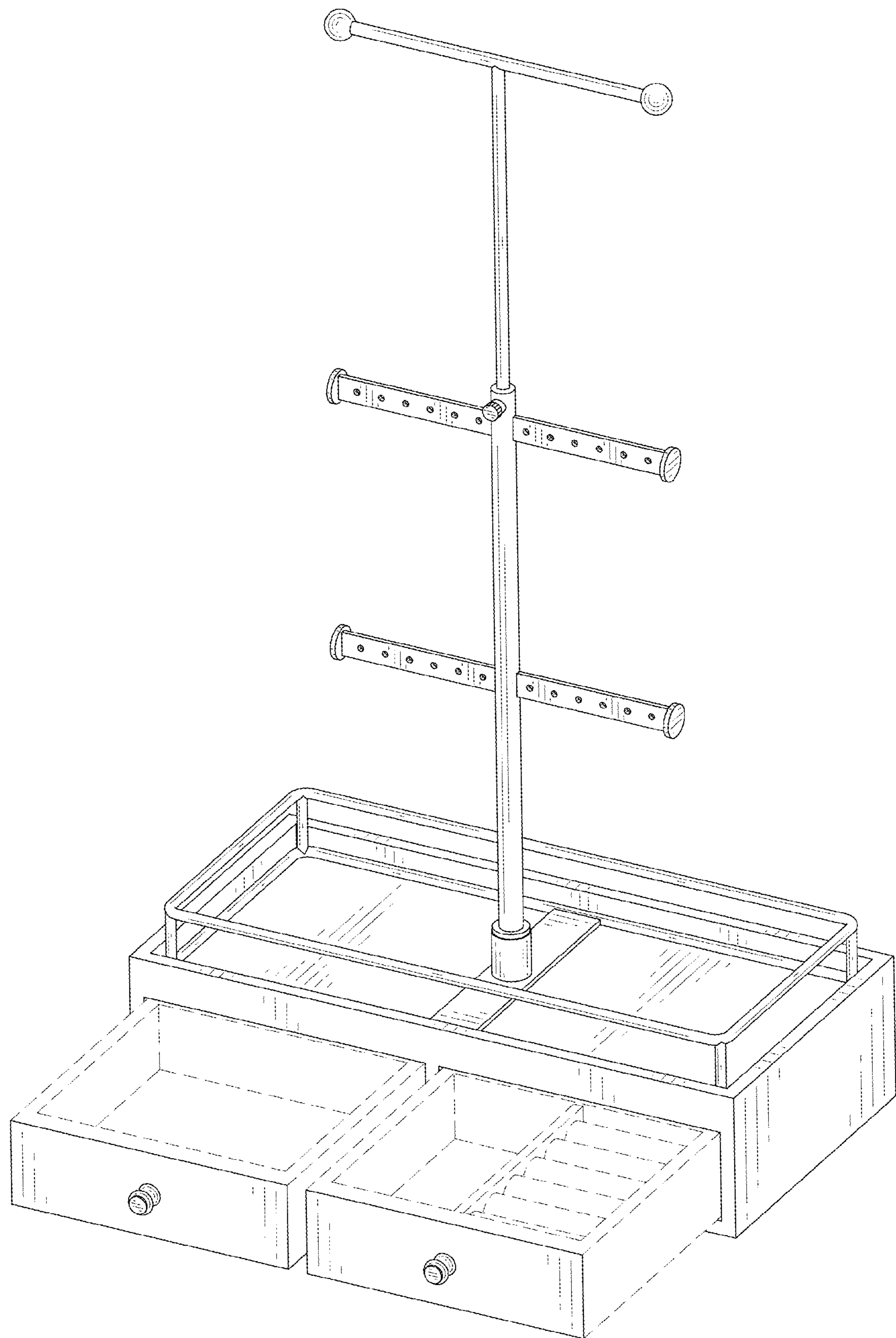


FIG. 9