



US00D888470S

(12) **United States Design Patent**  
**Denby**

(10) **Patent No.:** **US D888,470 S**  
(45) **Date of Patent:** **\*\* Jun. 30, 2020**

- (54) **UMBRELLA DISPLAY FIXTURE**
- (71) Applicant: **TARGET BRANDS, INC.**,  
Minneapolis, MN (US)
- (72) Inventor: **Scott E. Denby**, Minneapolis, MN (US)
- (73) Assignee: **TARGET BRANDS, INC.**,  
Minneapolis, MN (US)
- (\*\*) Term: **15 Years**
- (21) Appl. No.: **29/684,927**
- (22) Filed: **Mar. 25, 2019**
- (51) **LOC (12) Cl.** ..... **06-06**
- (52) **U.S. Cl.**  
USPC ..... **D6/675.1**
- (58) **Field of Classification Search**  
USPC ..... D6/449, 455, 464, 470-472, 474-475,  
D6/477-479, 567, 675, 675.1  
CPC ..... A47F 3/02; A47F 1/04; A47F 1/00; A47B  
63/00; A47B 81/00; A47B 81/005  
See application file for complete search history.

D530,541 S \* 10/2006 Raile ..... D6/675.1  
D537,655 S \* 3/2007 Hessell ..... D6/675.1  
D655,105 S \* 3/2012 Mason ..... D6/680  
(Continued)

**FOREIGN PATENT DOCUMENTS**

NZ 593462 A 7/2012

**OTHER PUBLICATIONS**

“High Quality Adjustable Umbrella Display Rack Stand With Wheel”, printed from [www.alibaba.com/product-detail/high-quality-Adjustable-umbrella-display-rack\\_1847435222.html](http://www.alibaba.com/product-detail/high-quality-Adjustable-umbrella-display-rack_1847435222.html), publicly available at least as early as Jan. 23, 2019 (5 pages).  
(Continued)

*Primary Examiner* — Kelley A Donnelly  
(74) *Attorney, Agent, or Firm* — JoAnn M. Seaton;  
Griffiths & Seaton PLLC

(57) **CLAIM**  
The ornamental design for a umbrella display fixture, as shown and described.

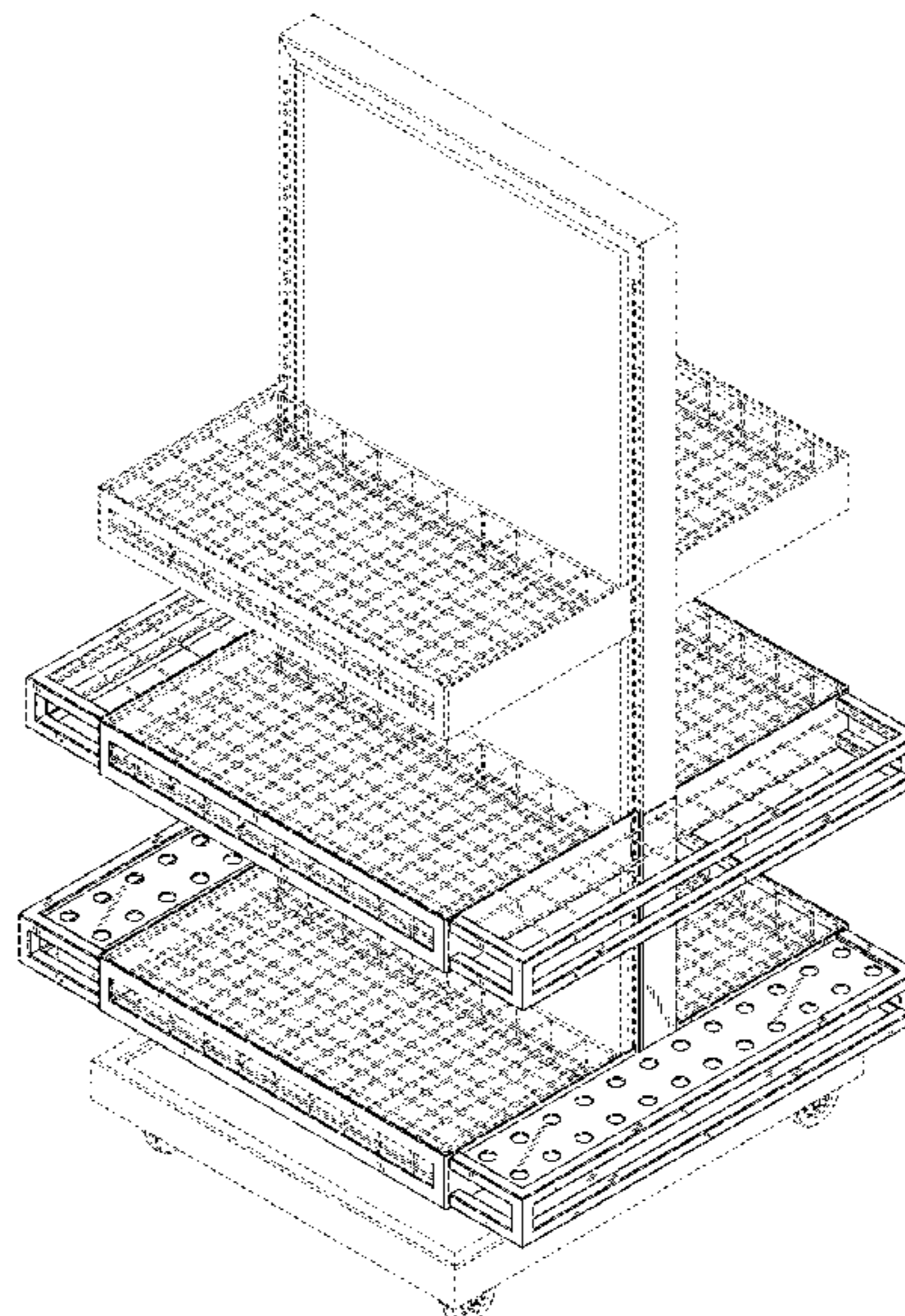
**DESCRIPTION**

FIG. 1 is a top and front perspective view of an umbrella display fixture, showing an embodiment of our new design; FIG. 2 is a front view thereof, the rear view being a mirror image of the front view; FIG. 3 is a right side view thereof, the left side view being a mirror image of the right side view; FIG. 4 is a top view thereof; FIG. 5 is a bottom view thereof; and, FIG. 6 is a top and front perspective view thereof, shown with additional unclaimed environmental subject matter. In the drawings, the broken lines depict unclaimed subject matter only. The bolded long dash-short dash broken lines indicate the bounds of the claimed design and otherwise form no part of the claimed design.

**1 Claim, 5 Drawing Sheets**

(56) **References Cited**  
**U.S. PATENT DOCUMENTS**

267,428 A	11/1882	Henrichs	
508,602 A	11/1893	Danner	
566,091 A	8/1896	Parker	
580,383 A	4/1897	Duffee	
984,955 A	2/1911	McMenamin	
D161,117 S *	12/1950	Moody	D6/675.2
2,595,542 A *	5/1952	Robbins	A47B 47/042
			108/101
D292,355 S *	10/1987	Headon	D6/675.1
D363,840 S *	11/1995	Weshler	D6/683.1
D381,841 S *	8/1997	Herbst	D6/675.1
D404,227 S *	1/1999	David	D6/675.1
5,921,414 A *	7/1999	Burke	A47B 57/42
			211/187
D486,982 S *	2/2004	Hessell	D6/675.4



(56)

**References Cited**

U.S. PATENT DOCUMENTS

D739,669 S \* 9/2015 Mason ..... D6/675.1  
D761,599 S \* 7/2016 Mason ..... D6/675.1  
D781,080 S \* 3/2017 Jordan ..... D6/675.1  
D790,261 S \* 6/2017 Rogers ..... D6/675.1

OTHER PUBLICATIONS

“Floorstand Metal Umbrella Stand”, printed from [www.polyfab-display.com/portfolio/metal-display-stands-and-racks/metal-umbrella-and-rain-gear-display/](http://www.polyfab-display.com/portfolio/metal-display-stands-and-racks/metal-umbrella-and-rain-gear-display/), publicly available at least as early as Jan. 23, 2019 (3 pages).

“Large Umbrella Display”, printed from [www.saraglove.com/products/large-umbrella-display-fits-82-tall-umbrellas-24-ponchos](http://www.saraglove.com/products/large-umbrella-display-fits-82-tall-umbrellas-24-ponchos), publicly available at least as early as Jan. 23, 2019 (3 pages).

Photo of Shed Rain Brand Display Fixture, 2019 (1 page).

\* cited by examiner



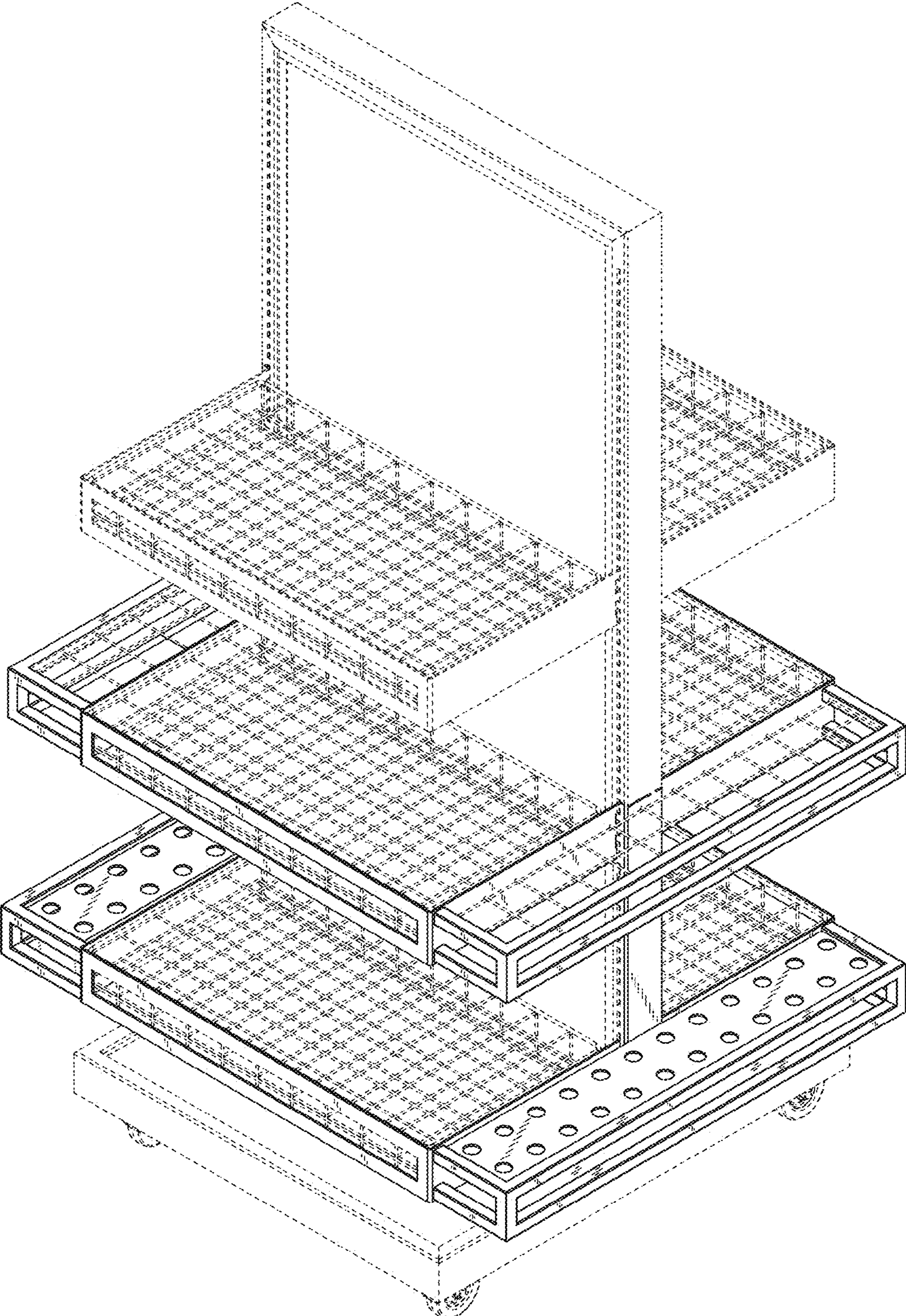


Fig. 1

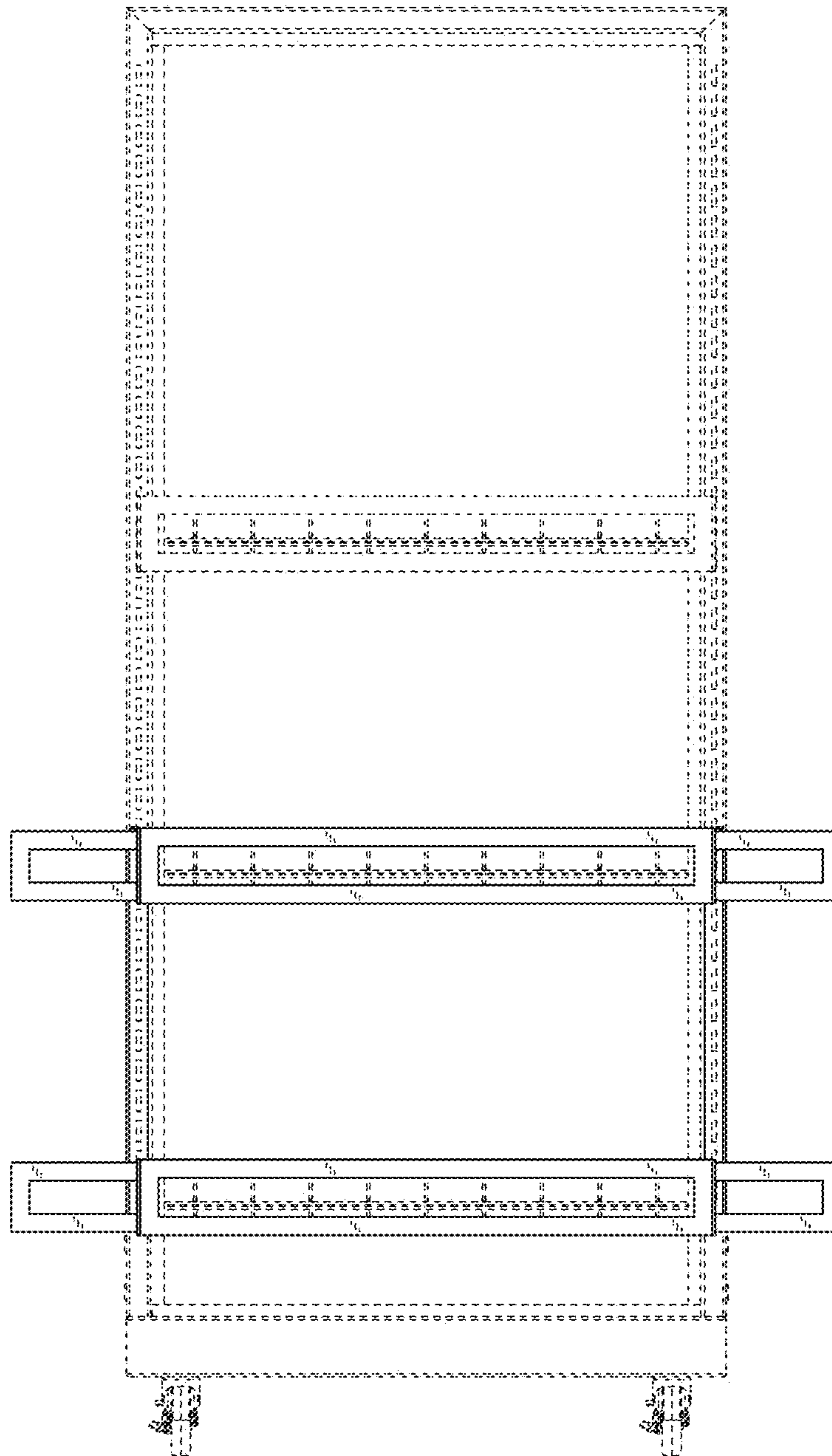


Fig. 2

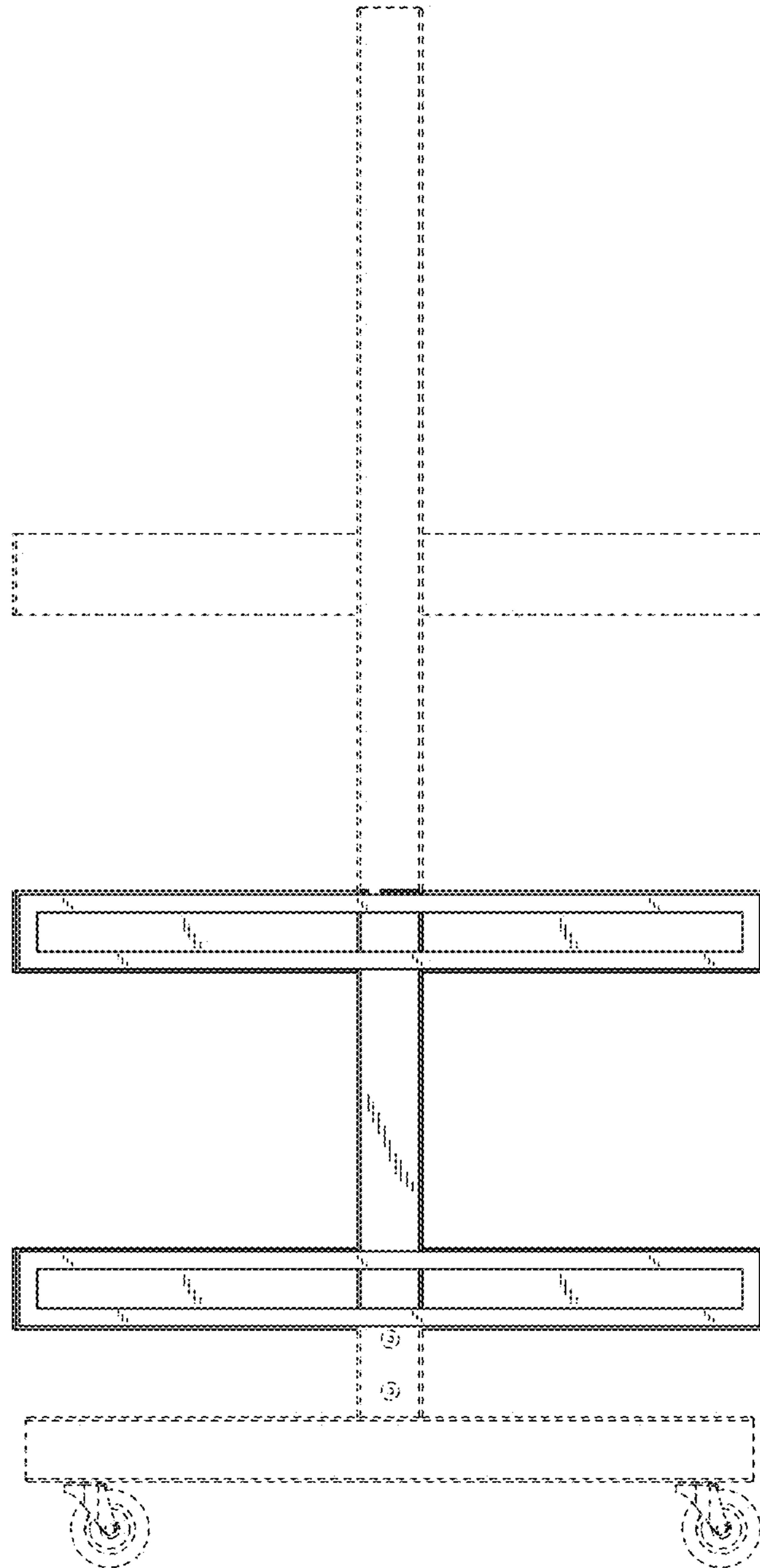


Fig. 3



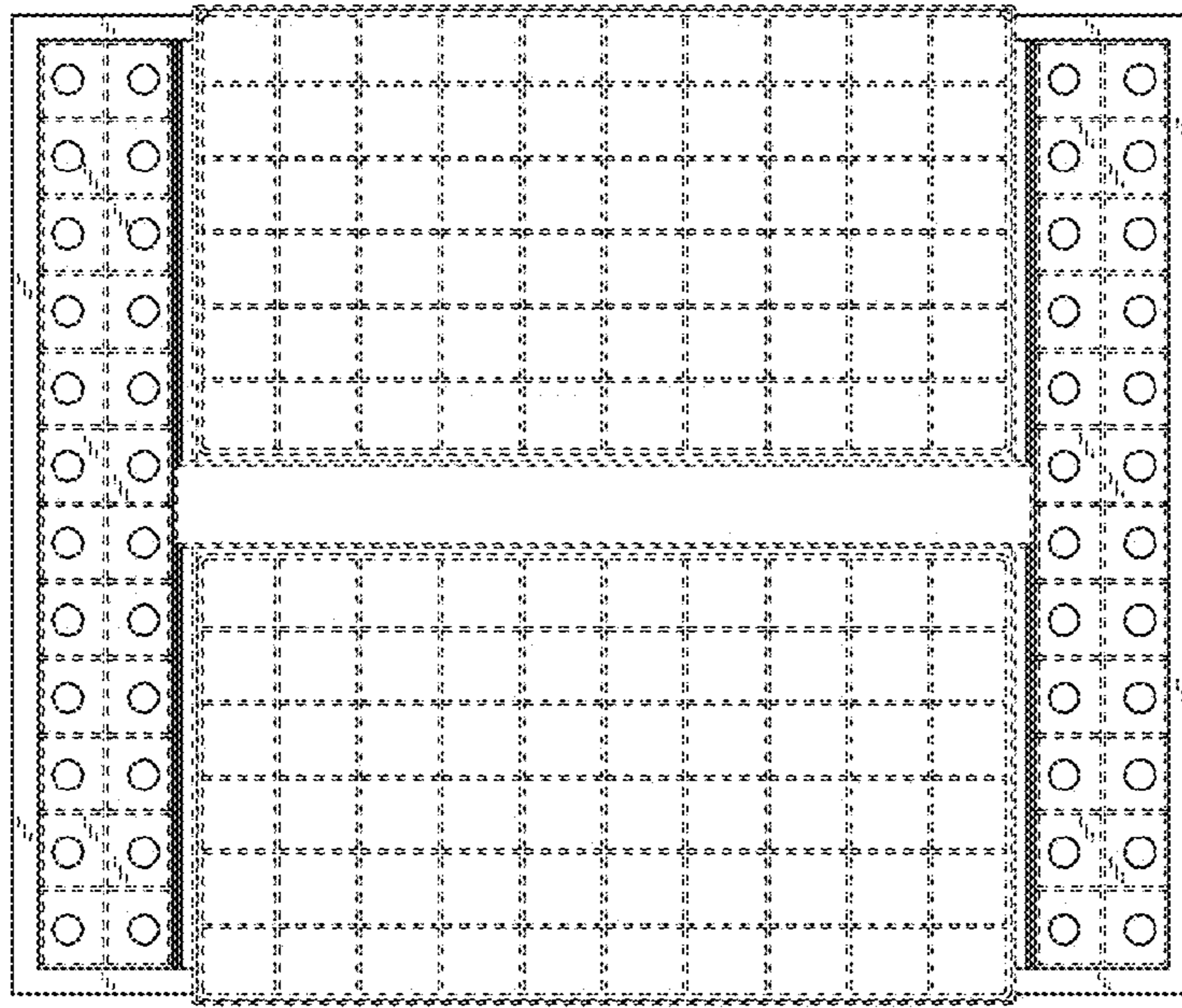


Fig. 4

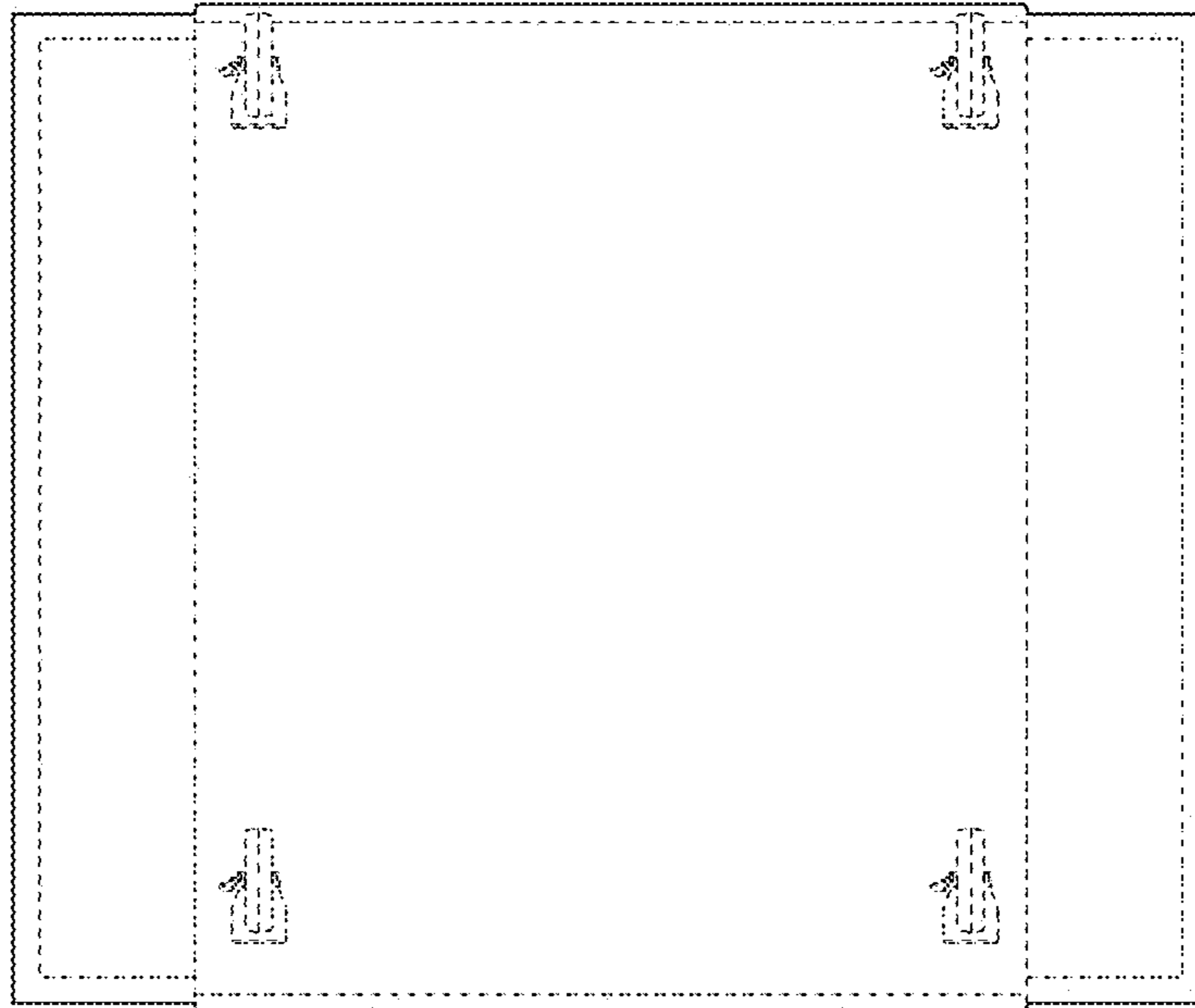


Fig. 5

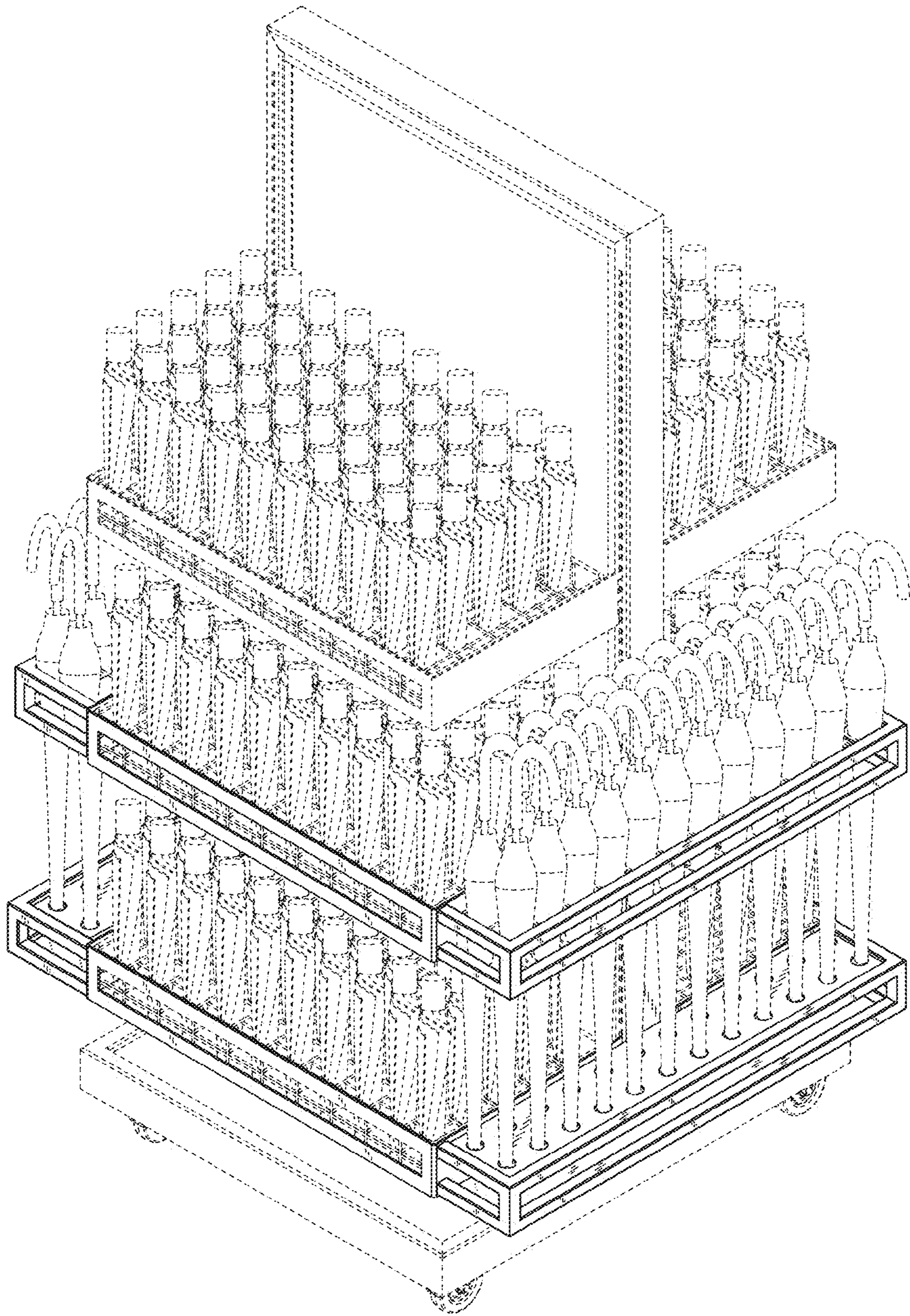


Fig. 6