



US00D888466S

(12) **United States Design Patent** (10) **Patent No.:** **US D888,466 S**
Li (45) **Date of Patent:** **** Jun. 30, 2020**

(54) **DESK**

(56) **References Cited**

(71) Applicant: **39F USA INC**, Rancho Cucamonga, CA (US)

U.S. PATENT DOCUMENTS

(72) Inventor: **Yuehai Li**, Rancho Cucamonga, CA (US)

D128,791 S *	8/1941	Ullery	D6/654.21
D176,490 S *	1/1956	Alder	D6/691
D180,288 S *	5/1957	Lippincott	D6/707.19
D188,200 S *	6/1960	Swarts	D6/707.15
D239,350 S *	3/1976	Vogt	D6/651.1
D278,583 S *	4/1985	Koguma	D6/654.17
D407,234 S *	3/1999	Moen	D6/650
D442,389 S *	5/2001	Hwang	D6/654.2
D588,850 S *	3/2009	Goldberg	D6/707.15
7,641,294 B1 *	1/2010	Goldberg	A47B 17/033 312/196
D632,900 S *	2/2011	Goldberg	A47B 17/033 D6/654
D875,440 S *	2/2020	Li	D6/654.11
2019/0374024 A1 *	12/2019	Elliott	A47B 13/088

(**) Term: **15 Years**

(21) Appl. No.: **29/692,007**

(22) Filed: **May 21, 2019**

(51) **LOC (12) Cl.** **06-03**

(52) **U.S. Cl.**
USPC **D6/654.1**

(58) **Field of Classification Search**
 USPC D6/640, 641, 642, 643, 643.1, 644, 645, D6/648, 648.1, 648.3, 648.4, 649, 650, D6/651, 652, 654, 654.1, 655, 655.1, D6/655.11, 655.12, 655.13, 655.14, D6/655.15, 655.16, 656, 656.1, 656.11, D6/656.16, 656.17, 656.18, 656.19, 668, D6/685, 688.11, 688.21, 688.27, 690, D6/695, 698, 691, 691.6, 696.1, 700, 707, D6/707.19, 707.24, 707.26, 708, 708.2, D6/708.21, 708.23, 709.22
 CPC A47B 9/00; A47B 9/04; A47B 9/06; A47B 3/08; A47B 21/00; A47B 21/02; A47B 21/06; A47B 21/007; A47B 21/0314; A47B 2009/185; A47B 2200/0013; A47B 2200/0026; A47B 2200/0085; A47B 2200/0087

See application file for complete search history.

* cited by examiner

Primary Examiner — Mary Ann Calabrese
Assistant Examiner — Catherine Ho
(74) *Attorney, Agent, or Firm* — Feng Qian

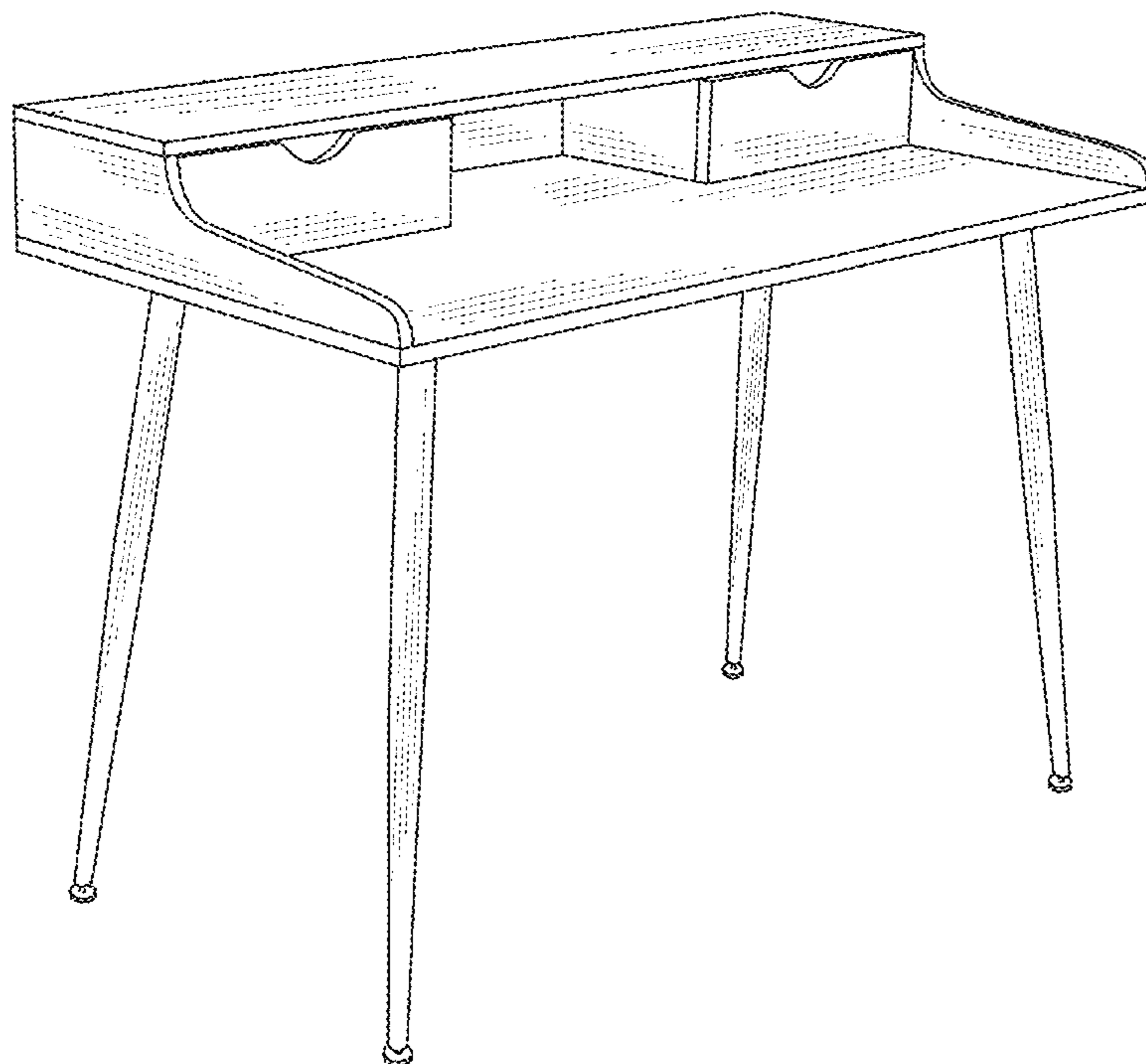
(57) **CLAIM**

The ornamental design for a desk, as shown and described.

DESCRIPTION

FIG. 1 is a front perspective view of a desk showing my new design;
FIG. 2 is a front elevation view thereof;
FIG. 3 is a rear elevation view thereof;
FIG. 4 is a left-side elevation view thereof;
FIG. 5 is a right-side elevation view thereof;
FIG. 6 is a top plan view thereof; and,
FIG. 7 is a bottom plan view thereof.

1 Claim, 7 Drawing Sheets



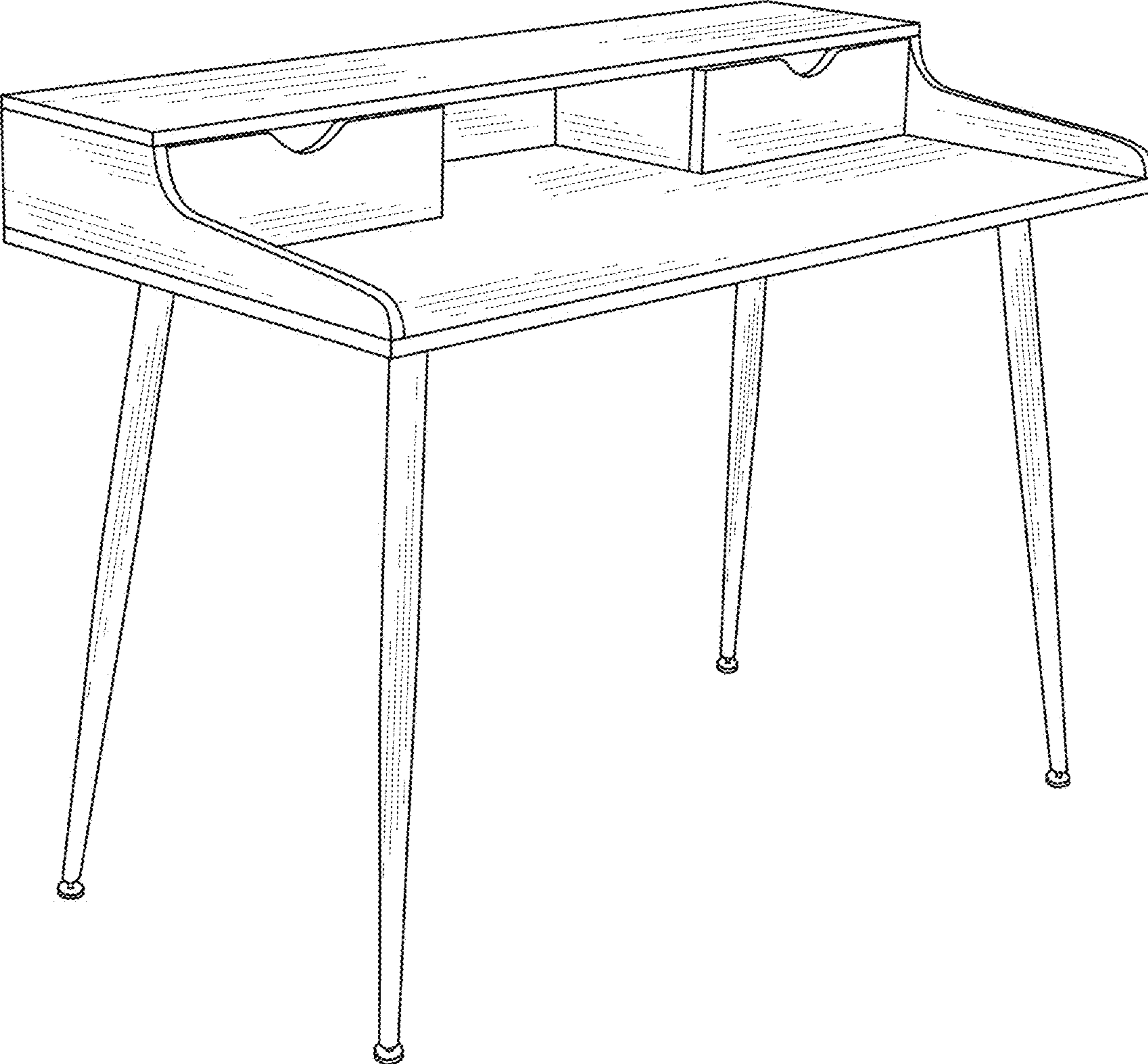


Fig.1

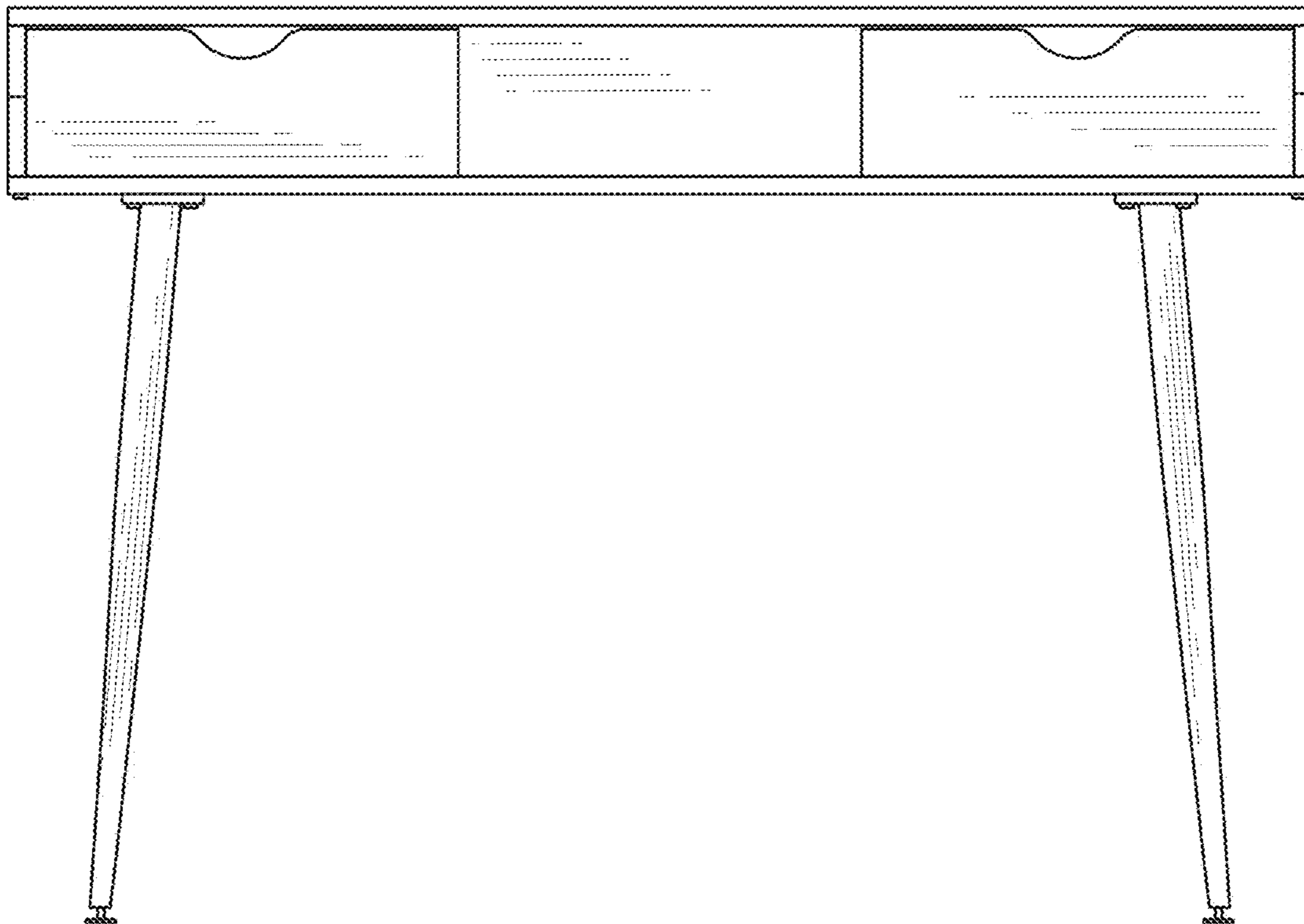


Fig.2

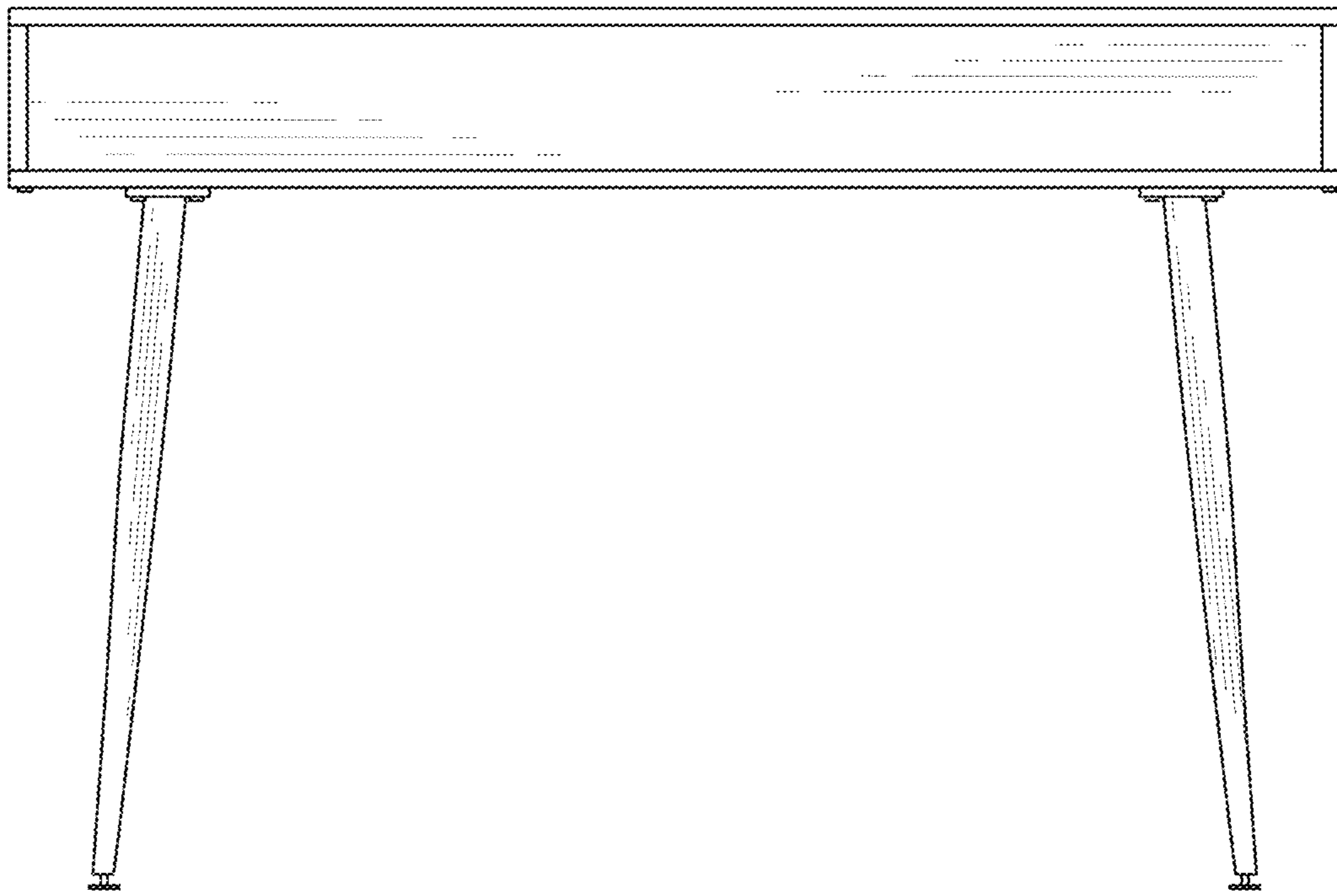


Fig.3

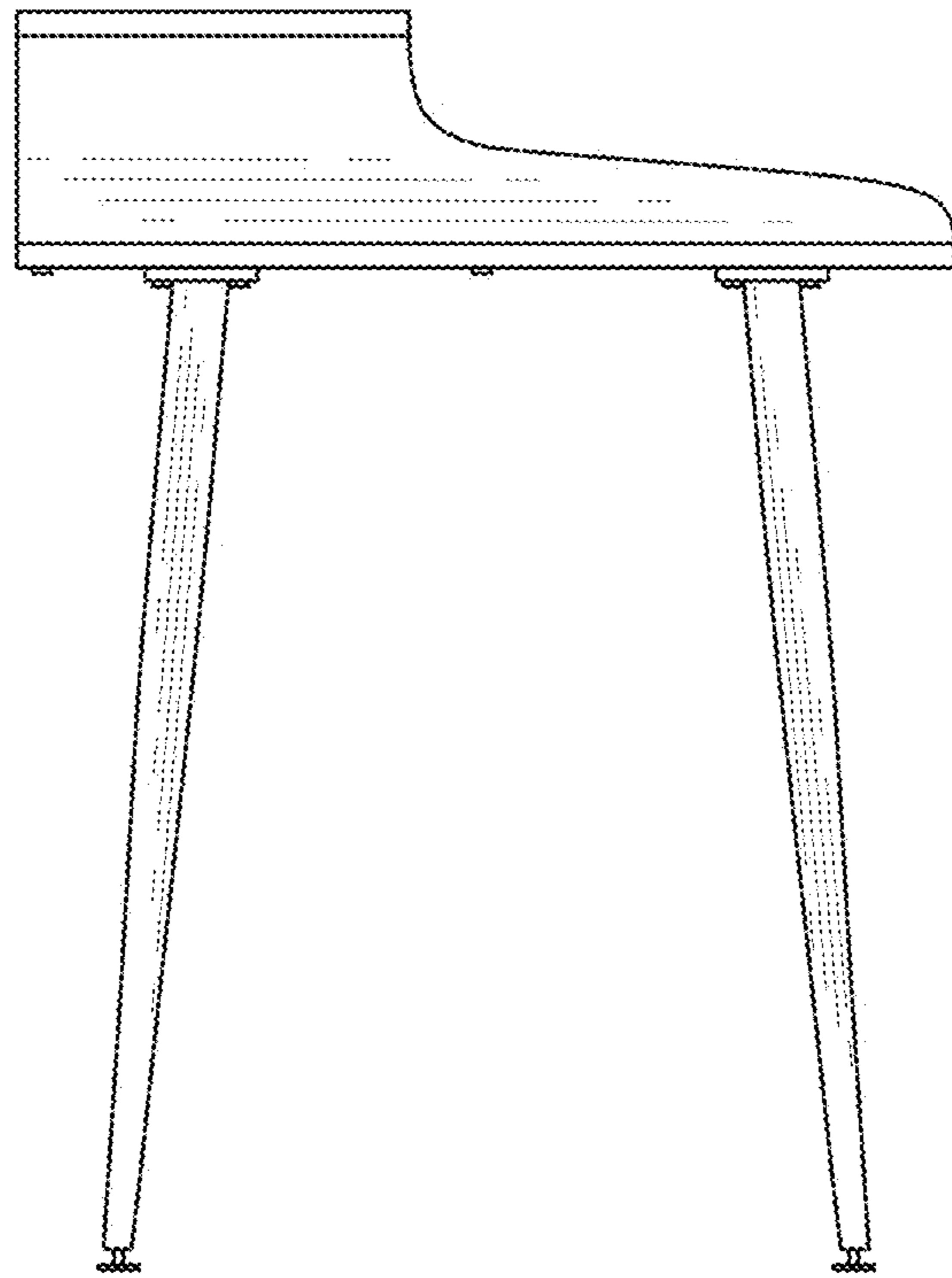


Fig.4

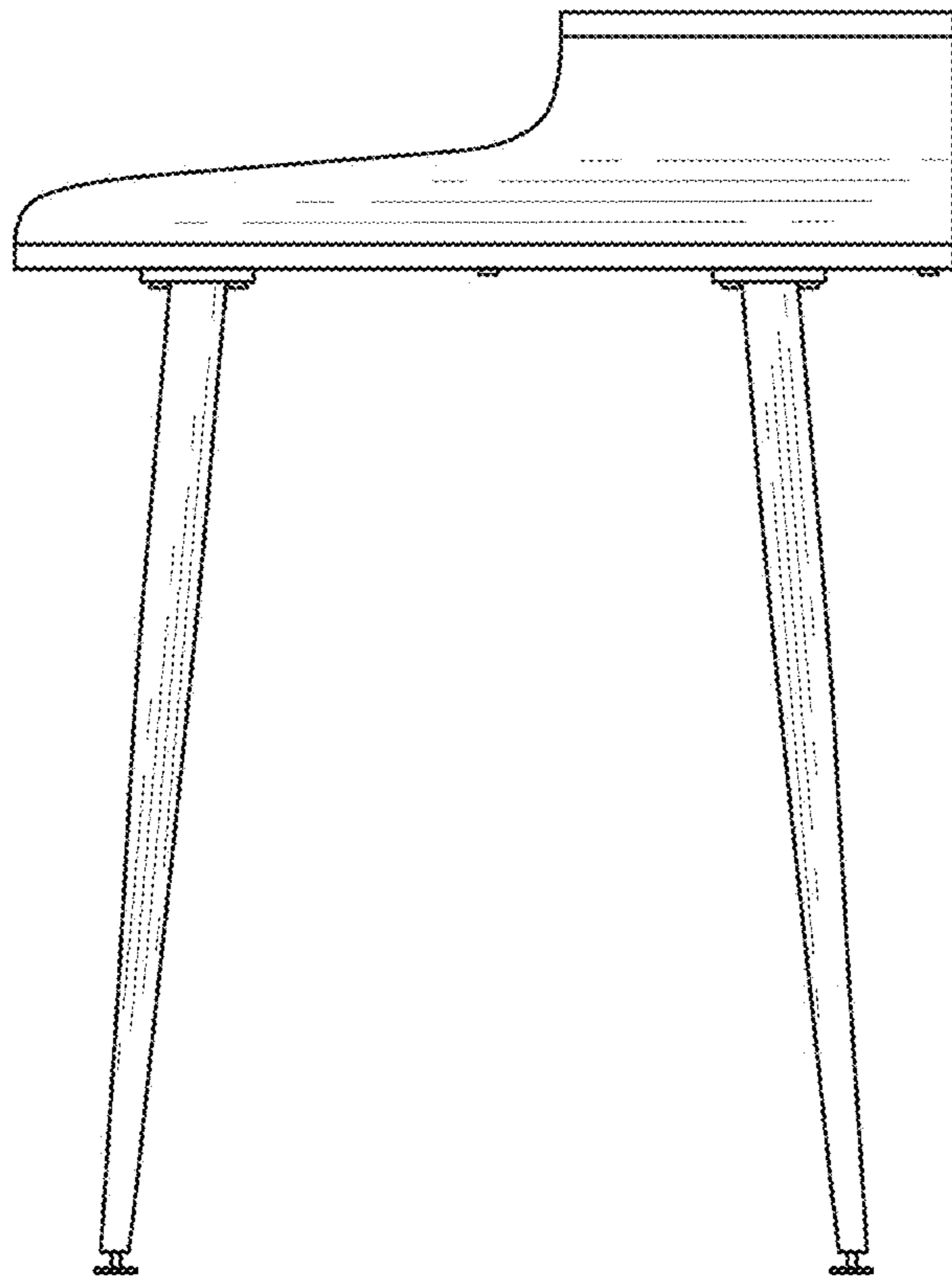


Fig.5

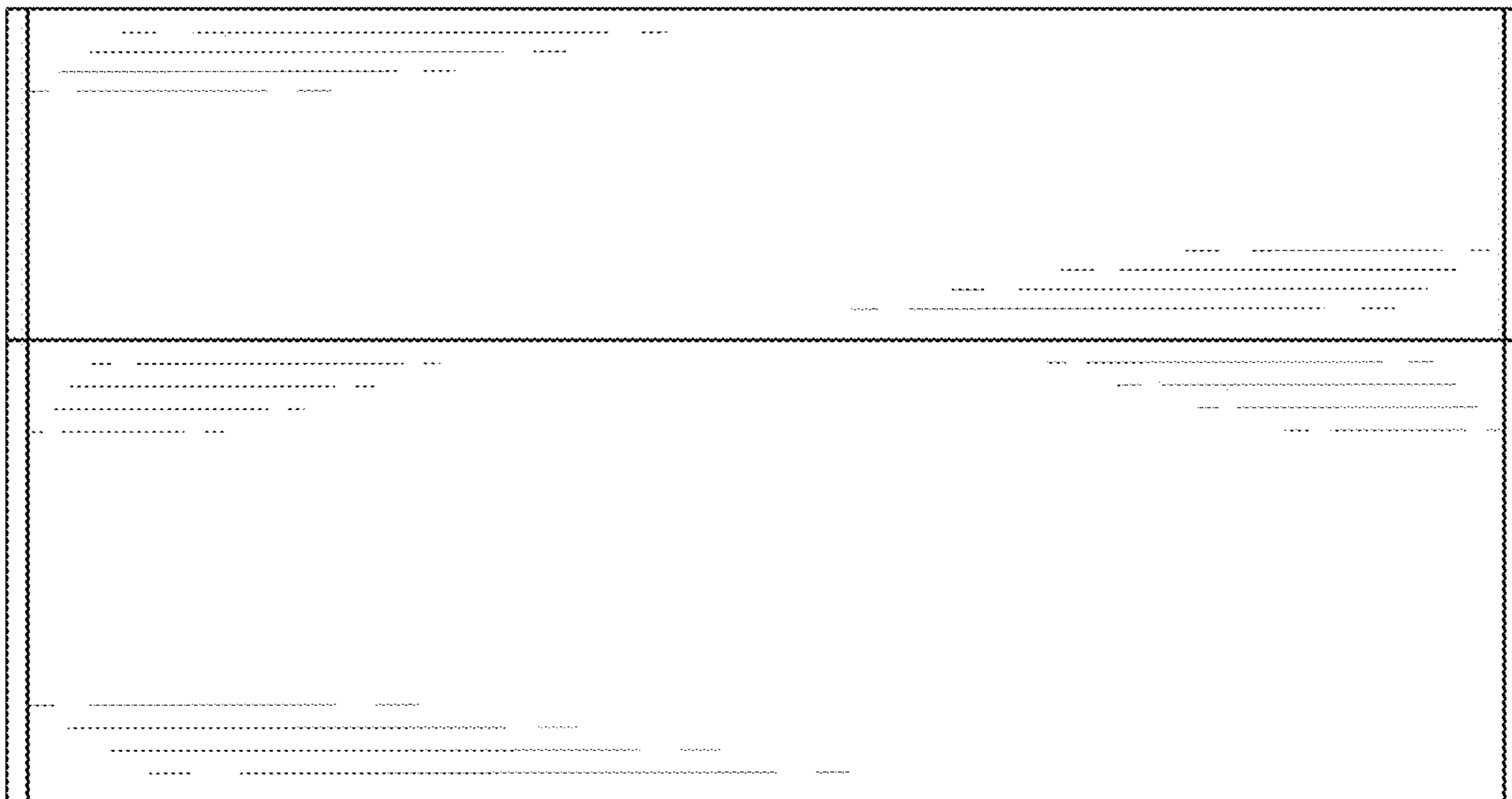


Fig.6

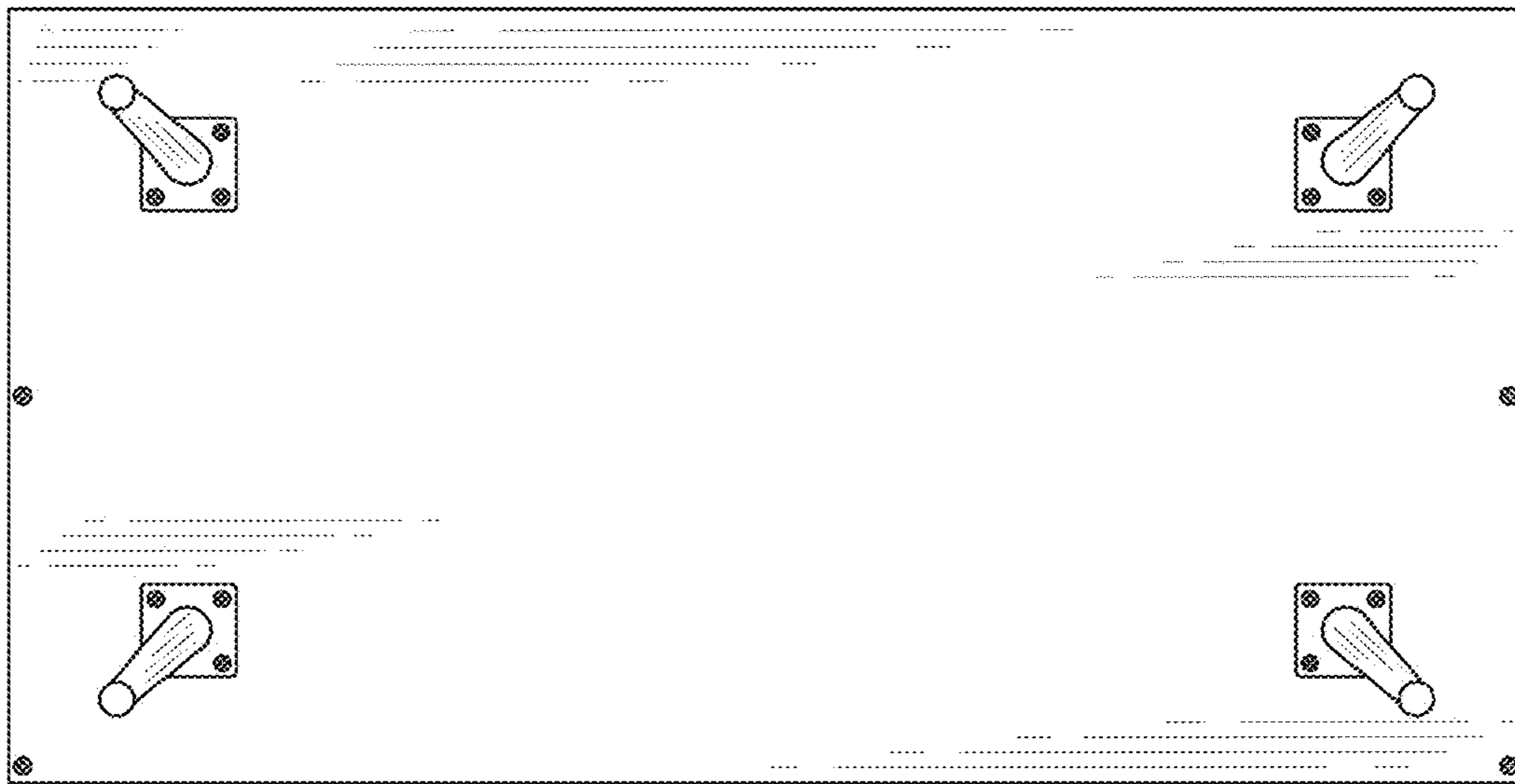


Fig.7