



US00D888465S

(12) **United States Design Patent**
Weng et al.

(10) **Patent No.:** **US D888,465 S**
(45) **Date of Patent:** **** Jun. 30, 2020**

(54) **CASE COVER**

(71) Applicant: **Jiashan Pinyuan Home Furnishing Products Co., Ltd., Jiaxing (CN)**

(72) Inventors: **Yongbang Weng, Miluo (CN); Qingping Liu, Miluo (CN)**

(73) Assignee: **Jiaxing Pinyuan Technology Co., Ltd. (CN)**

(**) Term: **15 Years**

(21) Appl. No.: **29/661,362**

(22) Filed: **Aug. 27, 2018**

(51) **LOC (12) Cl.** **06-13**

(52) **U.S. Cl.**
USPC **D6/610; D3/318**

(58) **Field of Classification Search**
USPC D3/279, 318, 321, 322; D6/610, 611, D6/616
CPC A45C 13/002; A45C 13/18; A45C 13/36; A45C 3/001; A45C 5/03
See application file for complete search history.

(56) **References Cited**

U.S. PATENT DOCUMENTS

| | | | | |
|-----------------|---------|--------|-------|------------------------|
| D250,223 S * | 11/1978 | Felix | | D15/78 |
| D458,451 S * | 6/2002 | Lusk | | D3/318 |
| D513,879 S * | 1/2006 | Waples | | D3/321 |
| 7,458,452 B2 * | 12/2008 | Beakey | | A45C 13/002 150/105 |
| D705,541 S * | 5/2014 | Harris | | D3/318 |
| 10,299,555 B1 * | 5/2019 | Yu | | A45C 13/002 |

| | | | | |
|-------------------|---------|---------------|-------|------------------------|
| D856,680 S * | 8/2019 | Acosta Favati | | D3/318 |
| 2010/0270115 A1 * | 10/2010 | Seamon | | A45C 13/002 190/26 |
| 2011/0259692 A1 * | 10/2011 | Warncke | | A45C 13/18 190/124 |
| 2016/0066669 A1 * | 3/2016 | Lien | | A45C 13/002 206/457 |
| 2018/0192754 A1 * | 7/2018 | Teran | | A45C 5/03 |

FOREIGN PATENT DOCUMENTS

| | | | |
|----|-----------|---|--------|
| CN | 305083967 | * | 3/2019 |
| CN | 305100991 | * | 4/2019 |

* cited by examiner

Primary Examiner — Cynthia Ramirez
Assistant Examiner — Xavier Marti-Santos

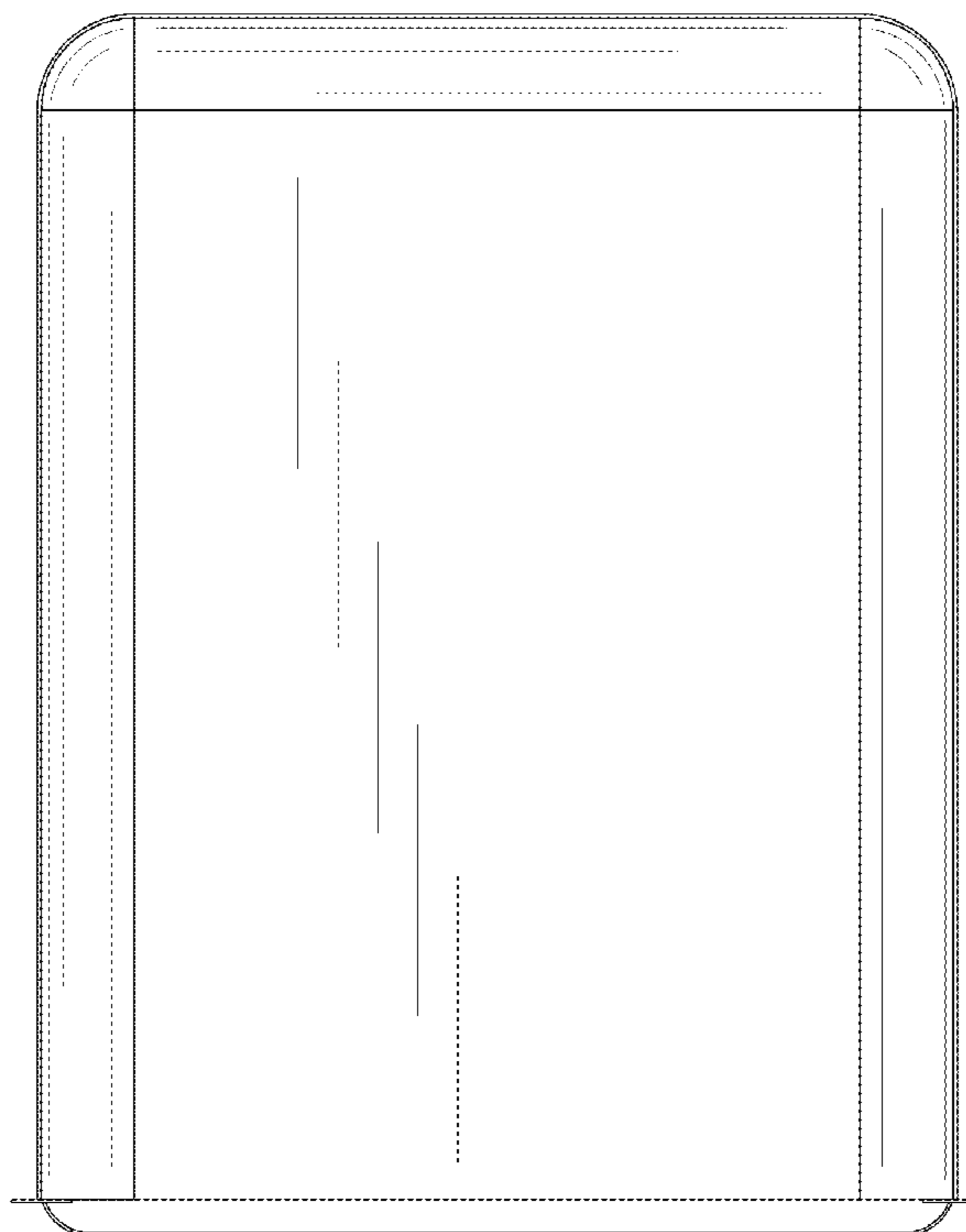
(57) **CLAIM**

The ornamental design for case cover, as shown and described.

DESCRIPTION

FIG. 1 is a front view of the case cover showing our new design;
FIG. 2 is a back view thereof;
FIG. 3 is a left side view thereof;
FIG. 4 is a right side view thereof;
FIG. 5 is a top view thereof;
FIG. 6 is a bottom view thereof;
FIG. 7 is a perspective view thereof; and,
FIG. 8 is another perspective view thereof.

1 Claim, 7 Drawing Sheets



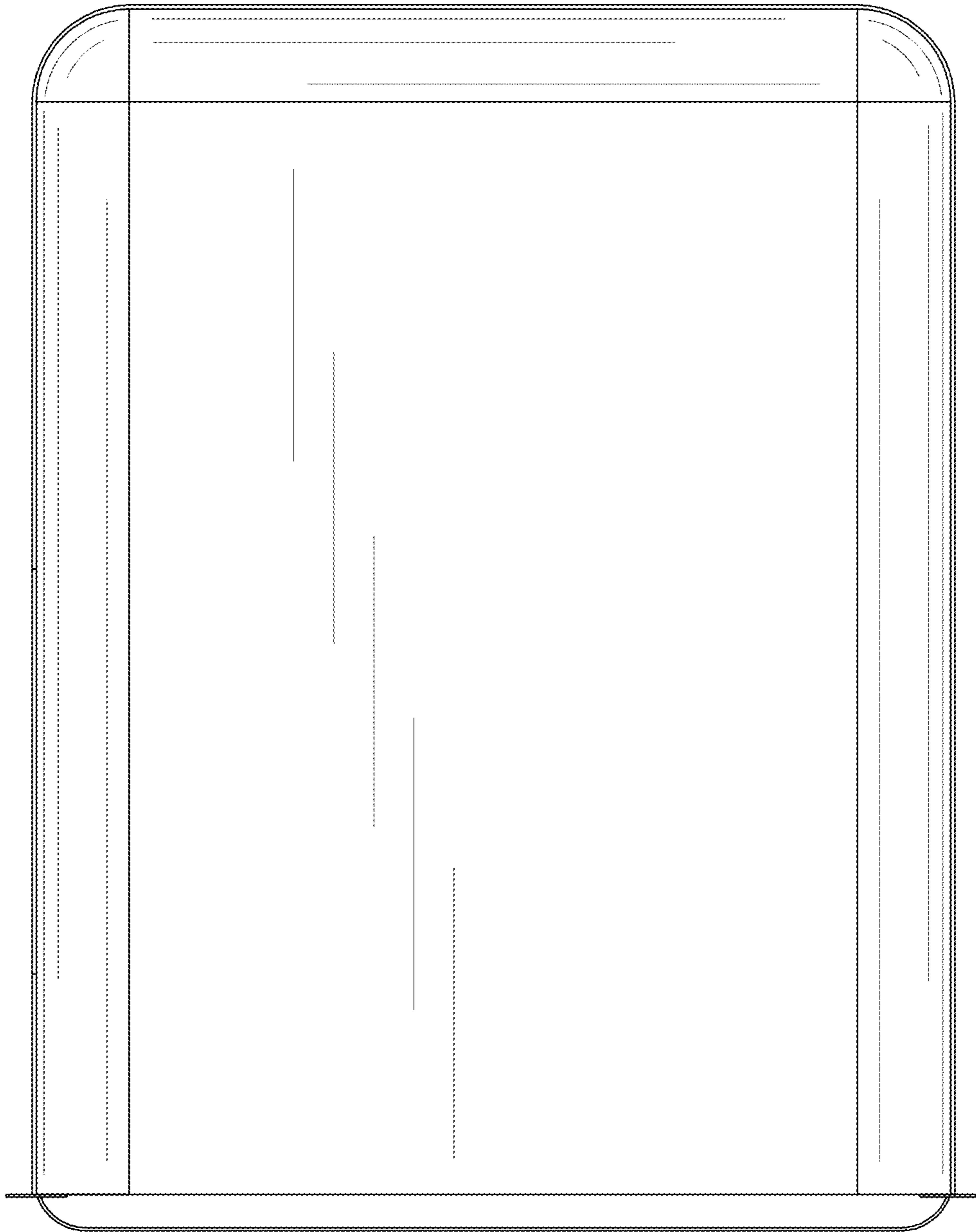


Fig.1

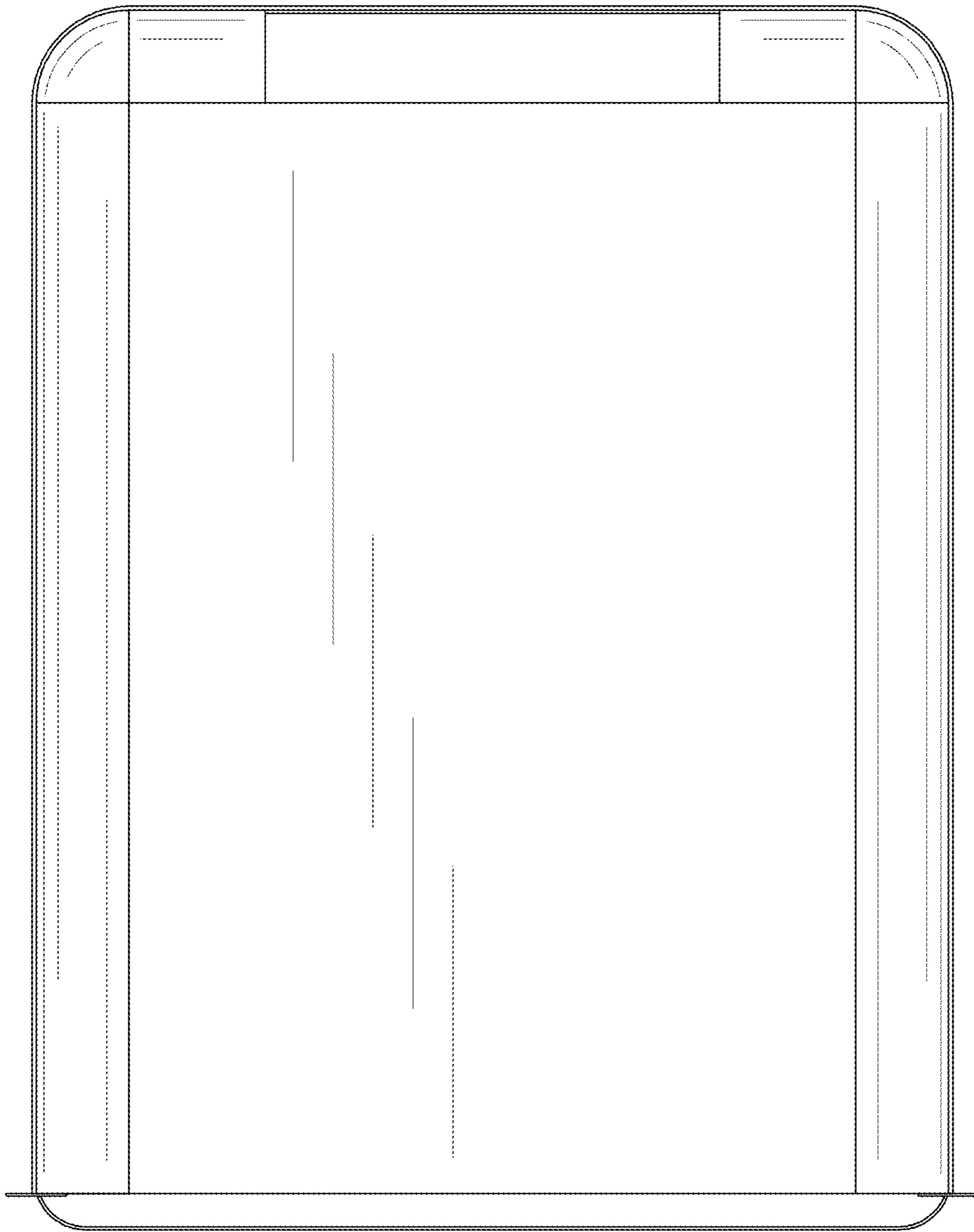


Fig.2

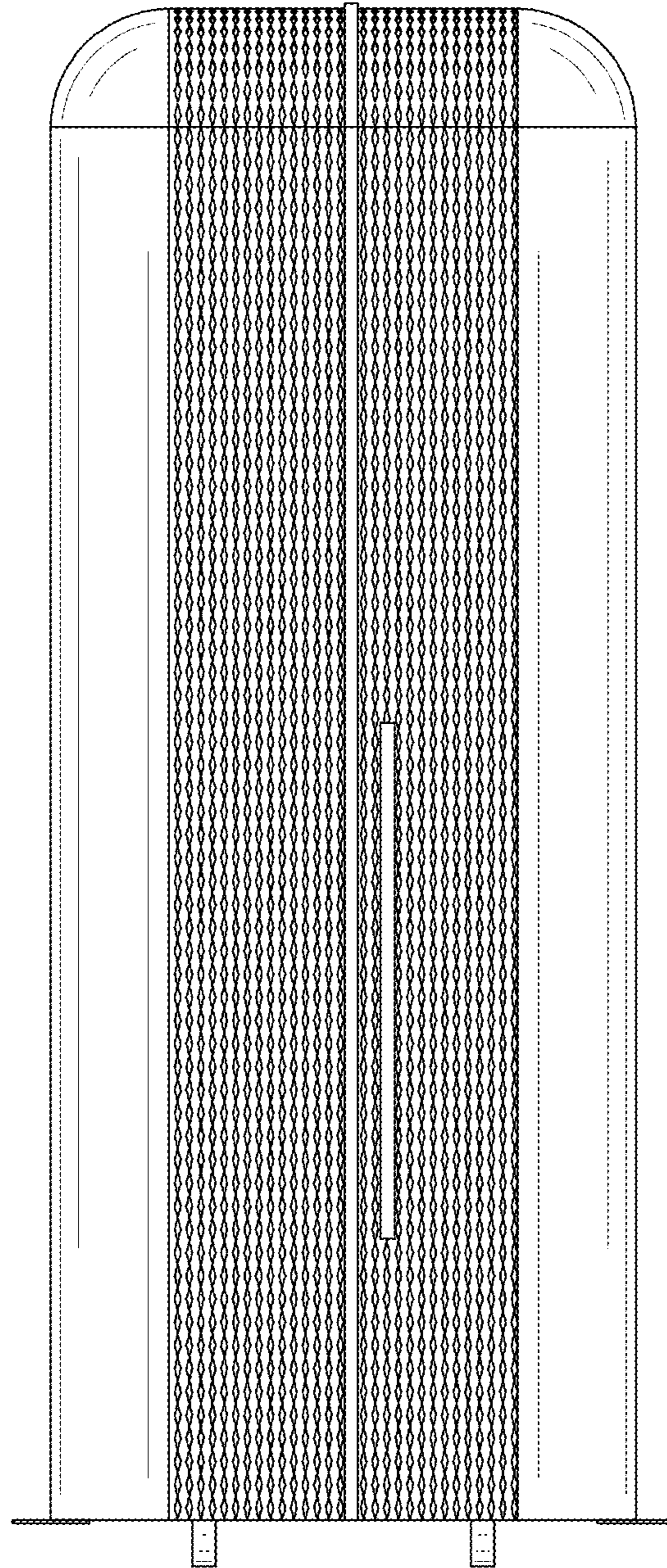


Fig3

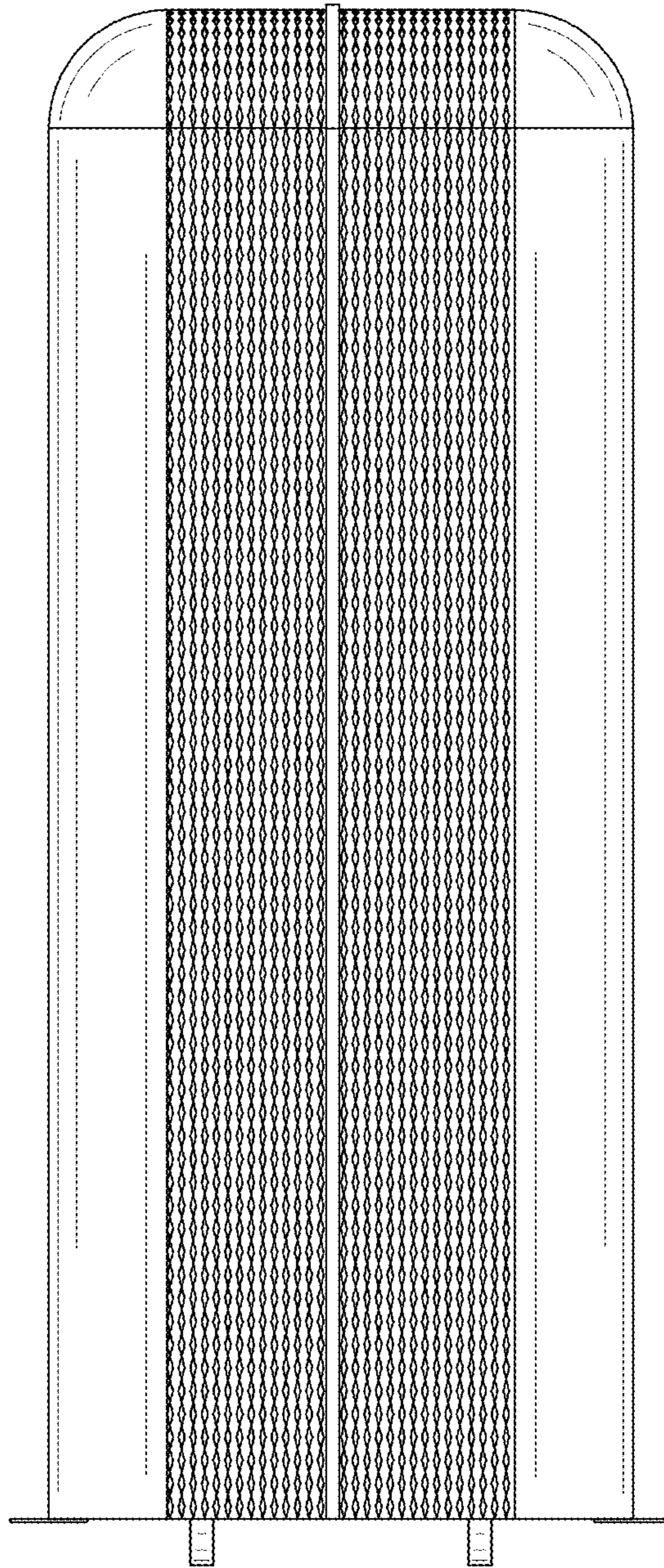


Fig.4

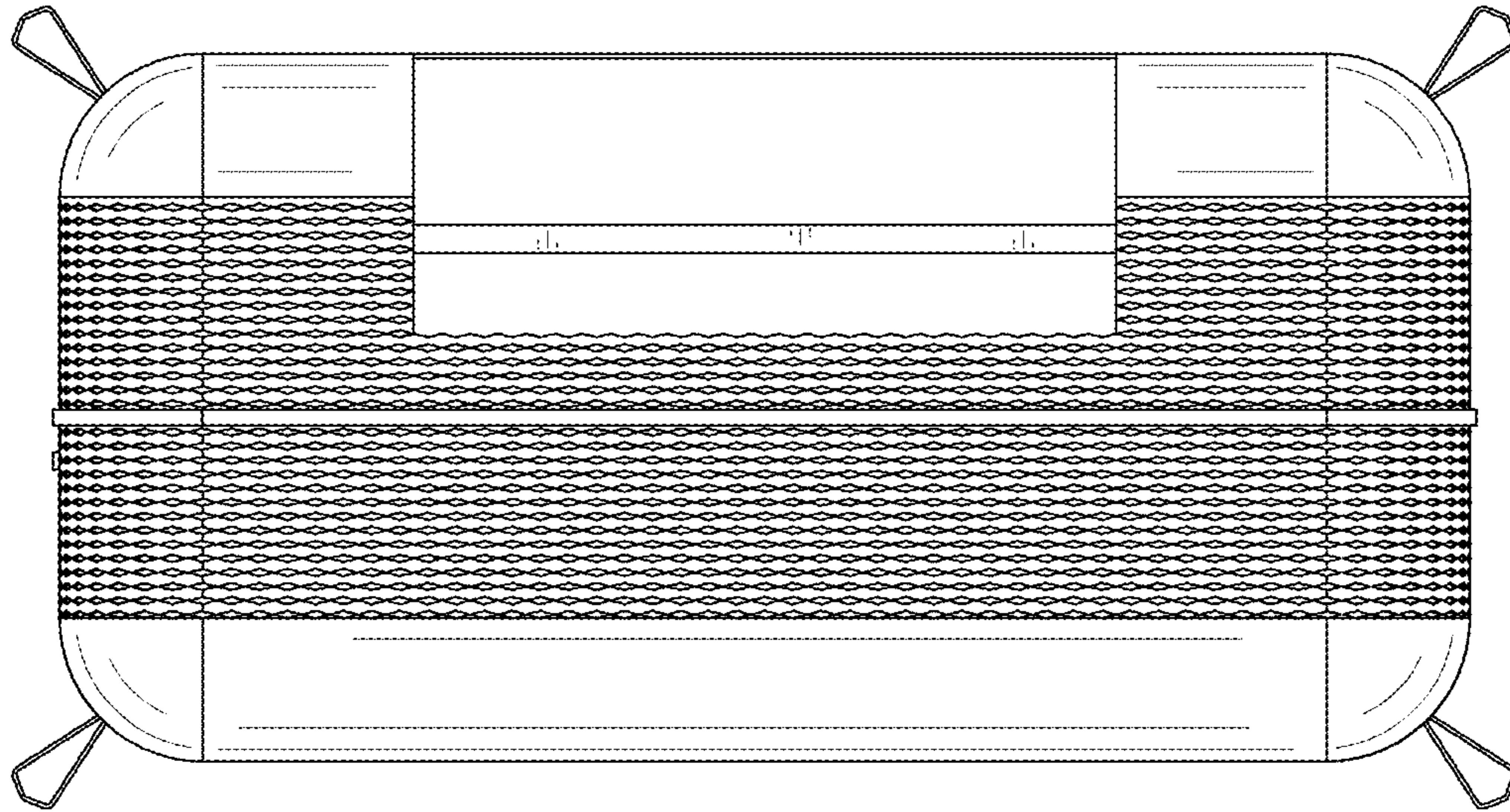


Fig.5

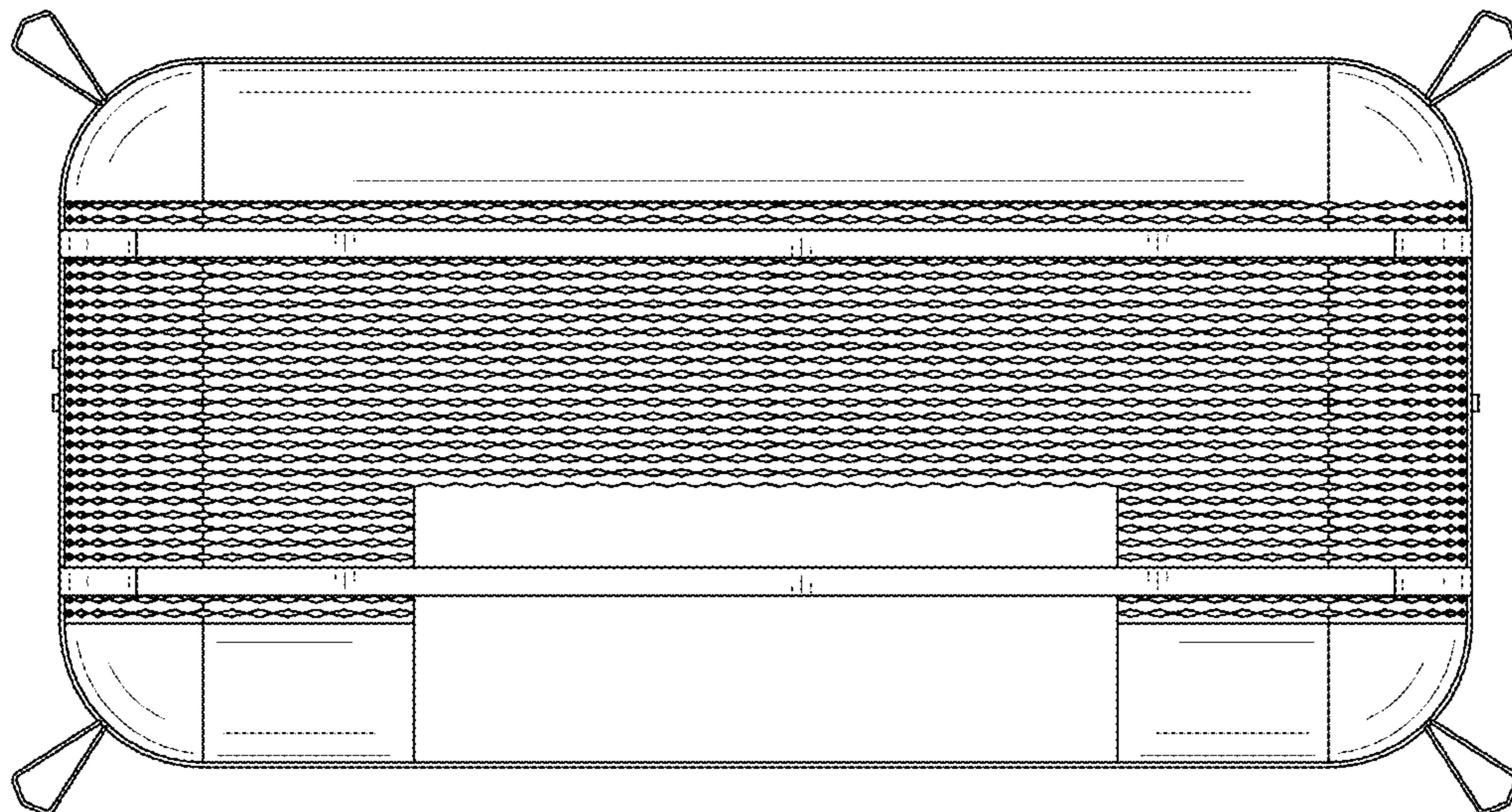


Fig.6

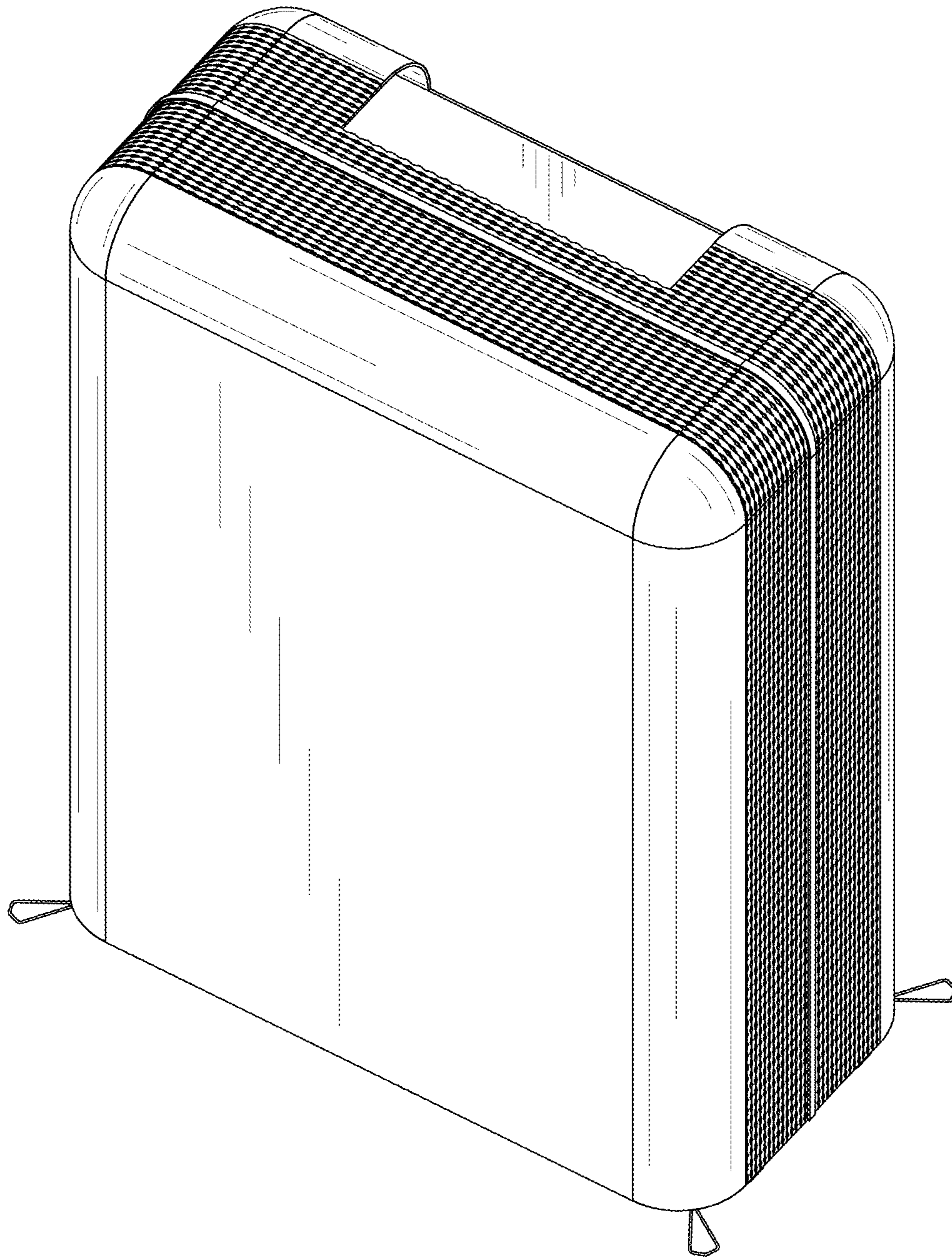


Fig.7

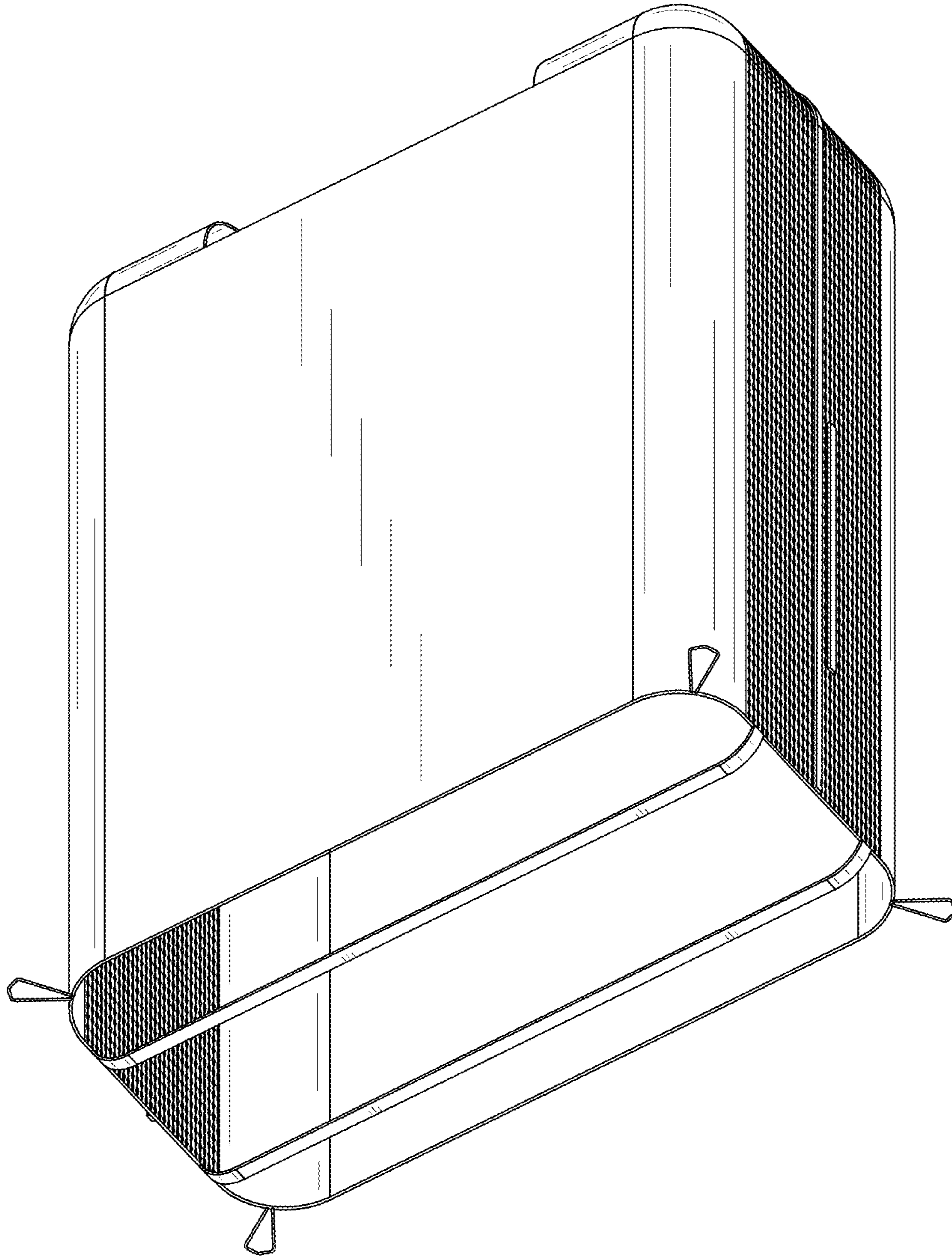


Fig.8