



US00D888464S

(12) **United States Design Patent**
Ruehlmann

(10) **Patent No.:** **US D888,464 S**

(45) **Date of Patent:** **** Jun. 30, 2020**

(54) **FOOT PROTECTION FOR A MATTRESS**

(71) Applicant: **DREAMWELL, LTD.**, Atlanta, GA
(US)

(72) Inventor: **Joseph D. Ruehlmann**, Sandy Springs,
GA (US)

(73) Assignee: **DREAMWELL, LTD.**, Doraville, GA
(US)

(**) Term: **15 Years**

(21) Appl. No.: **29/684,457**

(22) Filed: **Mar. 21, 2019**

(51) **LOC (12) Cl.** **06-09**

(52) **U.S. Cl.**
USPC **D6/606**

(58) **Field of Classification Search**

USPC D6/595–597, 601, 604–606

CPC A47C 27/00; A47C 27/08; A47C 27/12;

A47C 27/14; A47C 7/18; A47C 7/185;

A47C 7/20; A47C 23/00; A47C 27/001;

A47C 27/05; A47C 27/053; A47C

27/056; A47C 27/06; A47C 27/142; A47C

21/00; A47C 21/026; A47G 9/00; A47G

9/06; A47G 9/08; A47G 9/086; A47G

9/1009; A47G 9/10; A47G 9/1027; A47G

9/1054; A47G 9/1063; A47G 9/1072;

A47G 9/1045; A47G 9/1081; A47G

9/109; A47G 2009/1018; A47G 2009/003

See application file for complete search history.

(56) **References Cited**

U.S. PATENT DOCUMENTS

3,638,251 A * 2/1972 Weiss A47G 9/02
5/485

D587,952 S * 3/2009 Skipper D6/595
D655,965 S * 3/2012 Schachte D6/606
8,726,435 B2 * 5/2014 Briody 5/630
D707,466 S * 6/2014 Lancaster D6/603
D752,361 S * 3/2016 Cumby D6/601
D837,571 S * 1/2019 Keever D6/606
D873,584 S * 1/2020 Monfalcone, III D6/606
2013/0125435 A1 * 5/2013 Keever G09F 3/02
40/620

* cited by examiner

Primary Examiner — R. Johnson

(74) *Attorney, Agent, or Firm* — Cantor Colburn LLP

(57) **CLAIM**

I claim the ornamental design for a foot protector for a mattress, as shown and described.

DESCRIPTION

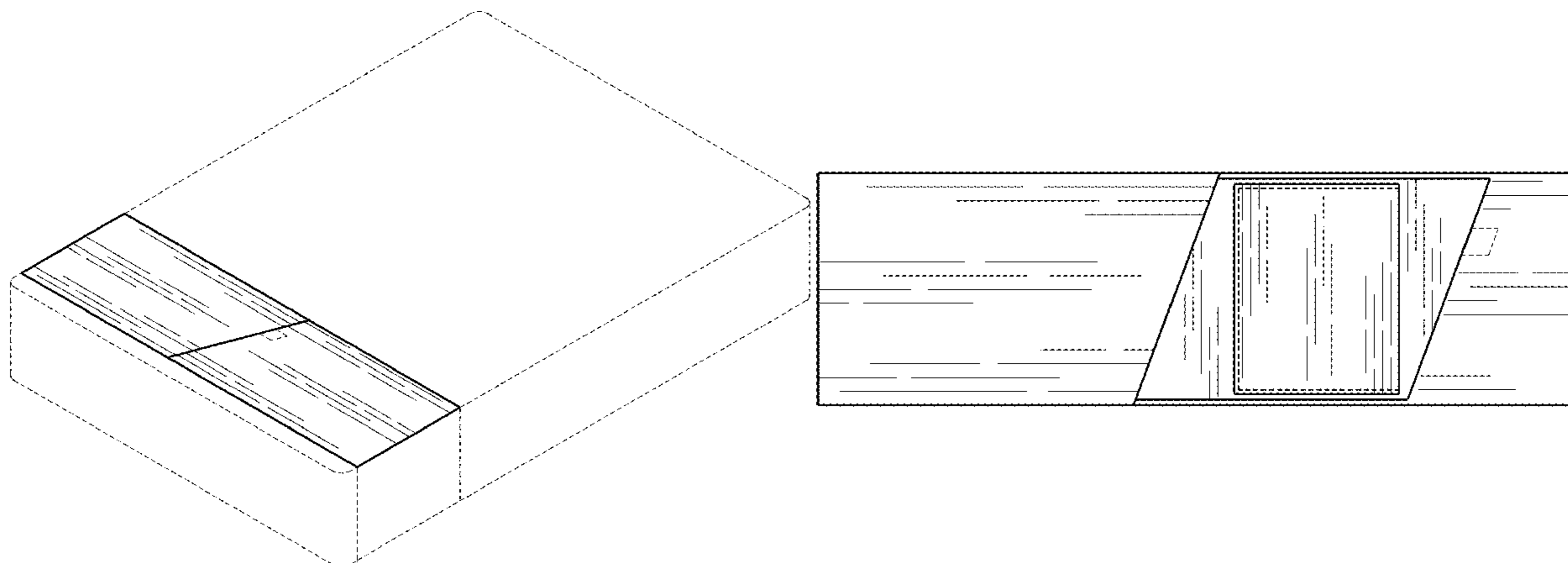
FIG. 1 is a perspective view of a foot protector for a mattress, showing my new design;

FIG. 2 is a top plan view of the foot protector for a mattress shown in FIG. 1 showing a hidden panel in an extended position; and,

FIG. 3 is a top plan view of the foot protector for a mattress shown in FIG. 1 showing a hidden panel in an extended and folded over position.

The broken lines represent a mattress, a tab for adjusting the position of the hidden panel, or seam lines, and form no part of the claimed design.

1 Claim, 2 Drawing Sheets



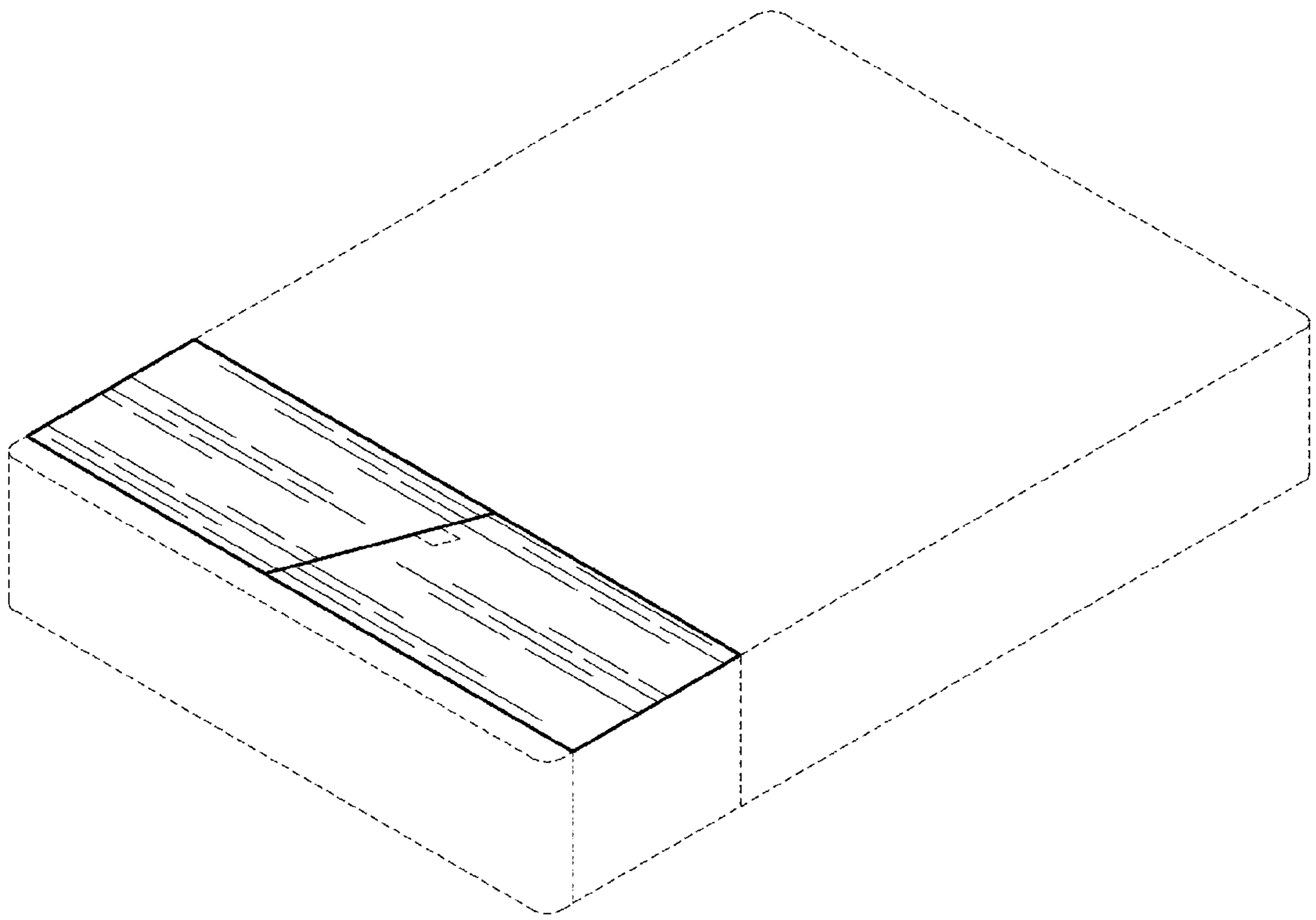


Fig. 1

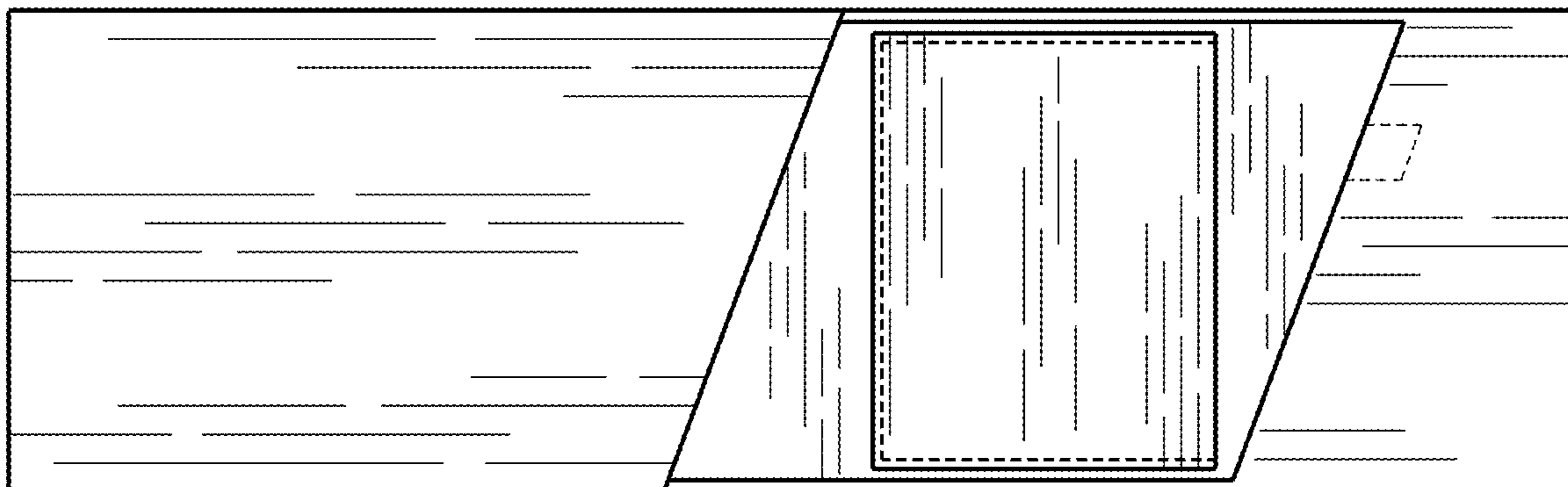


Fig. 2

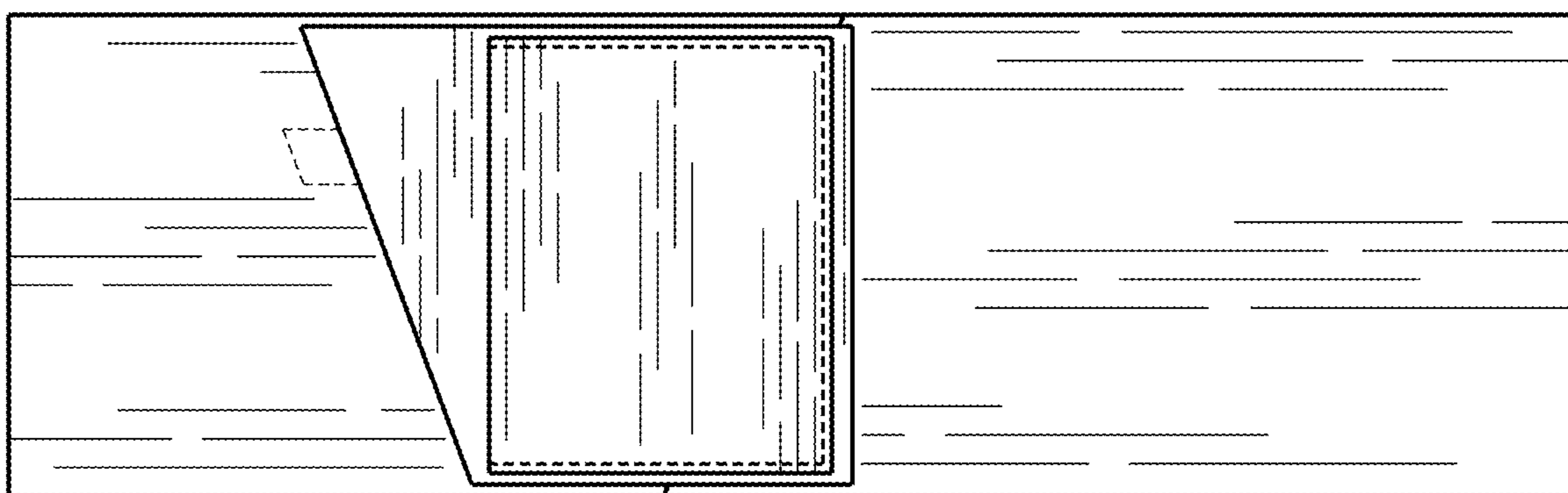


Fig. 3