



US00D888463S

(12) **United States Design Patent**
Lei

(10) **Patent No.:** **US D888,463 S**

(45) **Date of Patent:** **** Jun. 30, 2020**

(54) **MASSAGE MATTRESS**

(71) Applicant: **Guoping Lei**, Shangrao (CN)

(72) Inventor: **Guoping Lei**, Shangrao (CN)

(73) Assignee: **Shenzhen Shoujia Technology Co., Ltd.**, Shenzhen (CN)

(**) Term: **15 Years**

(21) Appl. No.: **29/682,815**

(22) Filed: **Mar. 8, 2019**

(51) **LOC (12) Cl.** **06-09**

(52) **U.S. Cl.**
USPC **D6/605**

(58) **Field of Classification Search**
USPC D6/595-597, 601, 604-606
CPC A47C 27/00; A47C 27/08; A47C 27/12;
A47C 27/14; A47C 7/18; A47C 7/185;
A47C 7/20; A47C 23/00; A47C 27/001;
A47C 27/05; A47C 27/053; A47C
27/056; A47C 27/06; A47C 27/142; A47C
21/00; A47C 21/026; A47G 9/00; A47G
9/06; A47G 9/08; A47G 9/086; A47G
9/1009; A47G 9/10; A47G 9/1027; A47G
9/1054; A47G 9/1063; A47G 9/1072;
A47G 9/1045; A47G 9/1081; A47G
9/109; A47G 2009/1018; A47G 2009/003
See application file for complete search history.

(56) **References Cited**

U.S. PATENT DOCUMENTS

5,758,372 A * 6/1998 Lopez Diaz A47C 17/86
5/200.1
7,882,581 B2 * 2/2011 Felix, Jr. A47C 19/024
5/200.1

9,538,851 B2 * 1/2017 Craver A47C 19/005
9,924,804 B2 * 3/2018 Hartley A47C 19/025
2010/0043148 A1 * 2/2010 Rose A47C 27/053
5/711
2011/0239373 A1 * 10/2011 Miller, Jr. A47C 27/14
5/710
2017/0251816 A1 * 9/2017 Schulz, Jr. A47C 31/123

FOREIGN PATENT DOCUMENTS

CH 673389 A5 * 3/1990 A61H 23/0263
DE 4136157 A1 * 5/1993 A61G 7/05776
JP 09262262 A * 10/1997
JP 2000350755 A * 12/2000
JP 2017046827 A * 3/2017 A47C 21/00
JP 2018029889 A * 3/2018 A47C 21/02

* cited by examiner

Primary Examiner — R. Johnson

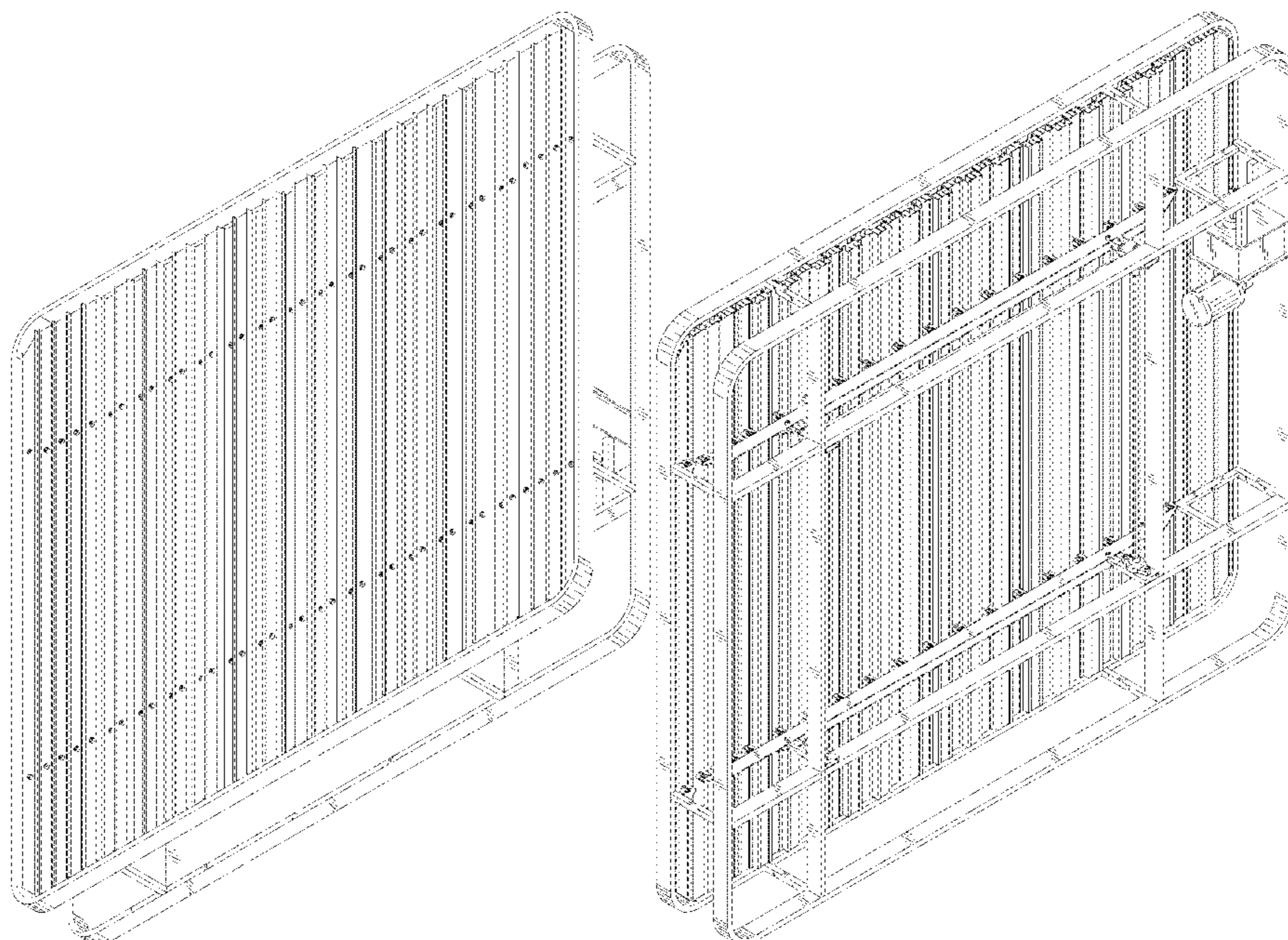
(57) **CLAIM**

The ornamental design for a massage mattress, as shown and described.

DESCRIPTION

FIG. 1 is a front perspective view of the massage mattress showing my new design;
FIG. 2 is a rear perspective view thereof;
FIG. 3 is a front elevational view thereof;
FIG. 4 is a rear elevational view thereof;
FIG. 5 is a left side elevational view thereof;
FIG. 6 is a right side elevational view thereof;
FIG. 7 is a top plan view thereof;
FIG. 8 is a bottom plan view thereof; and,
FIG. 9 is a top, front perspective view thereof.

1 Claim, 7 Drawing Sheets



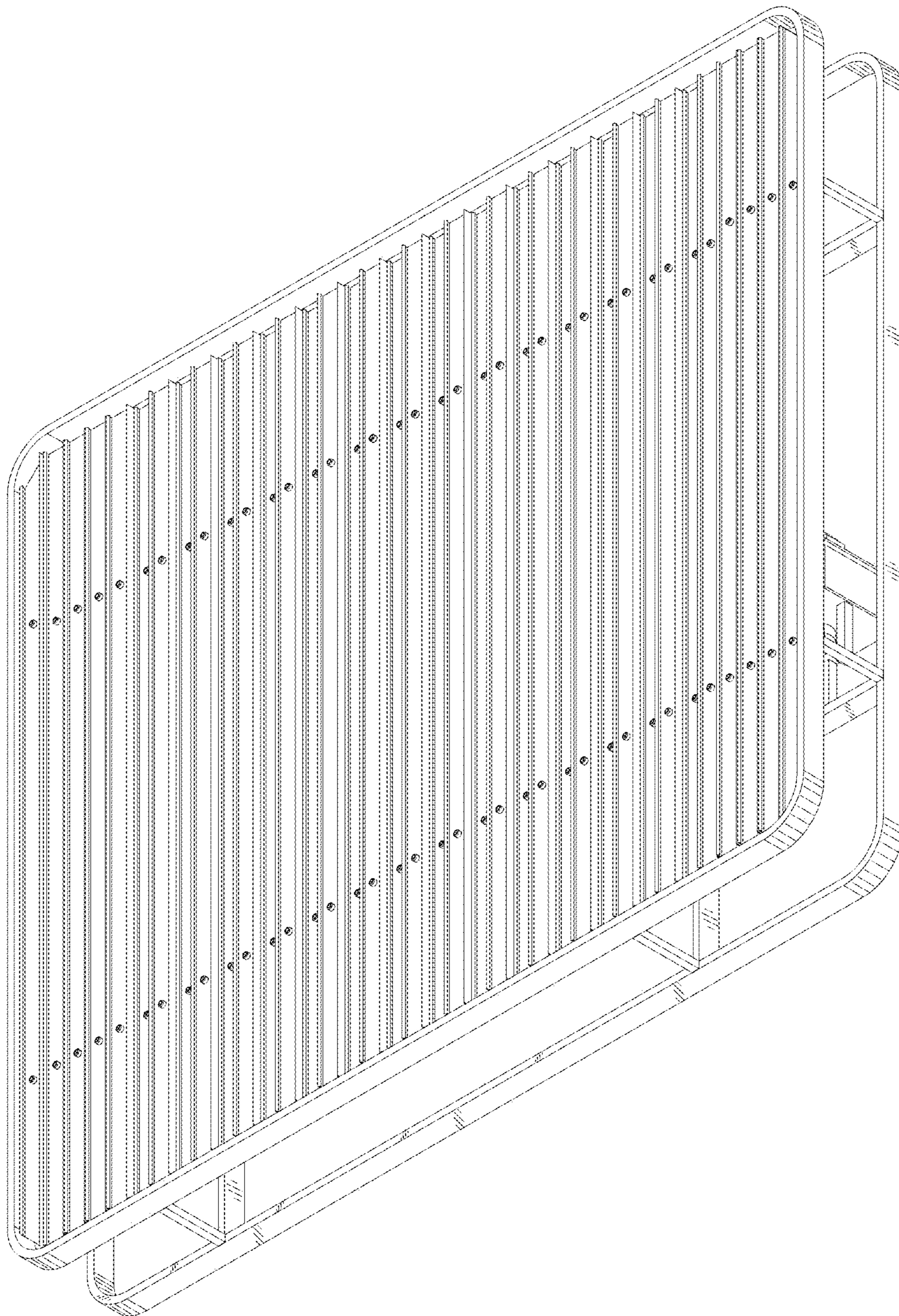


FIG. 1

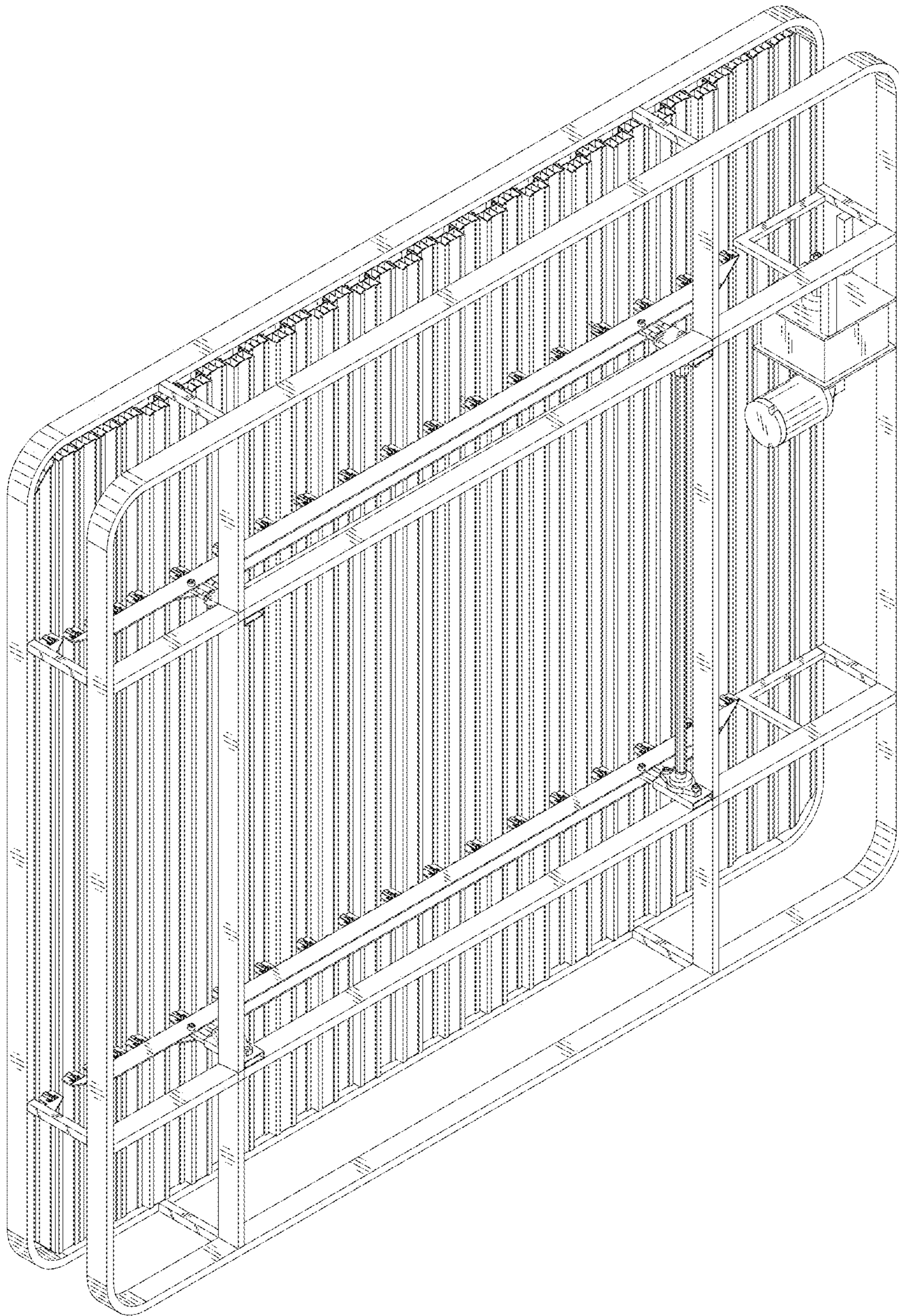


FIG.2

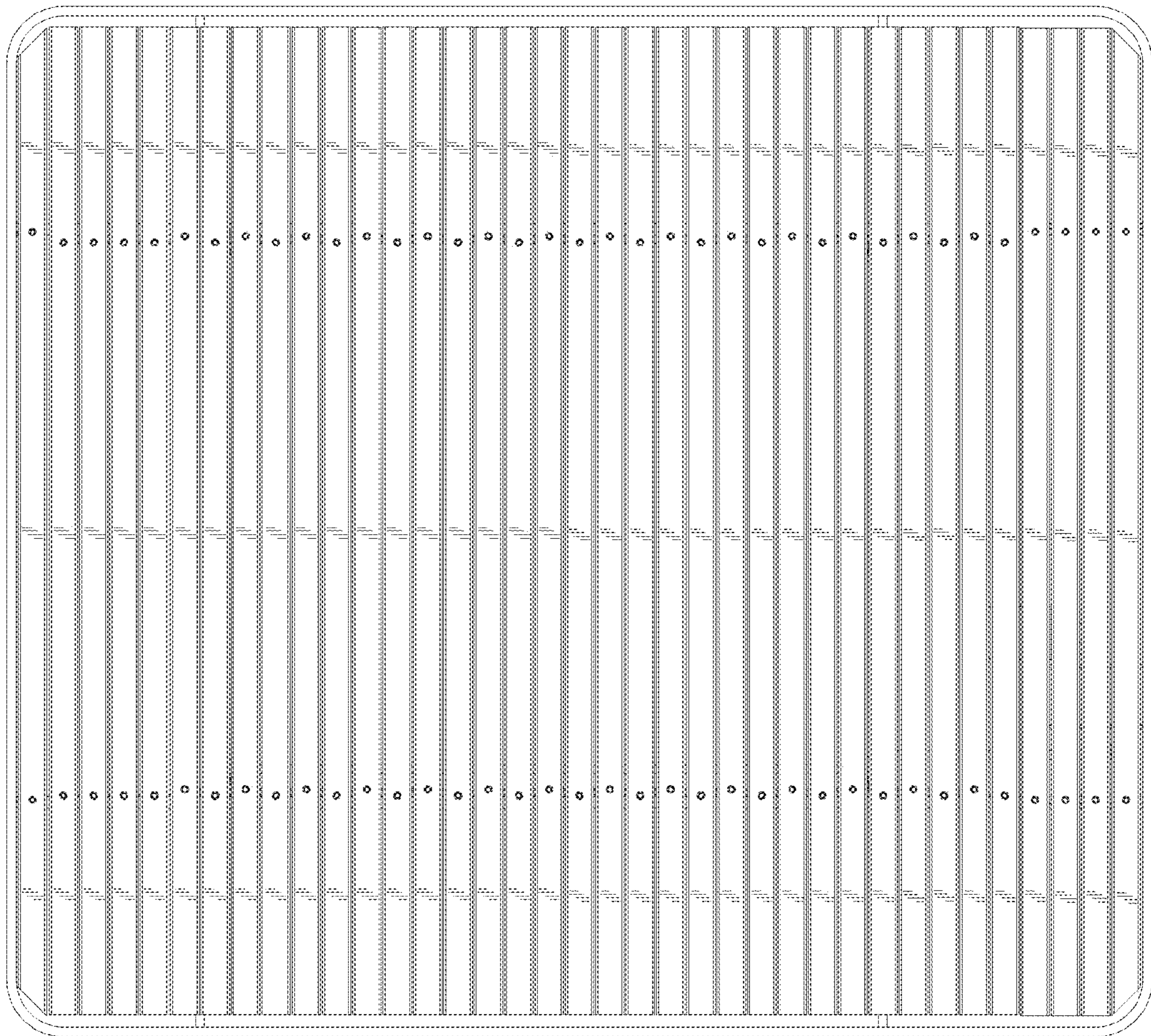


FIG.3

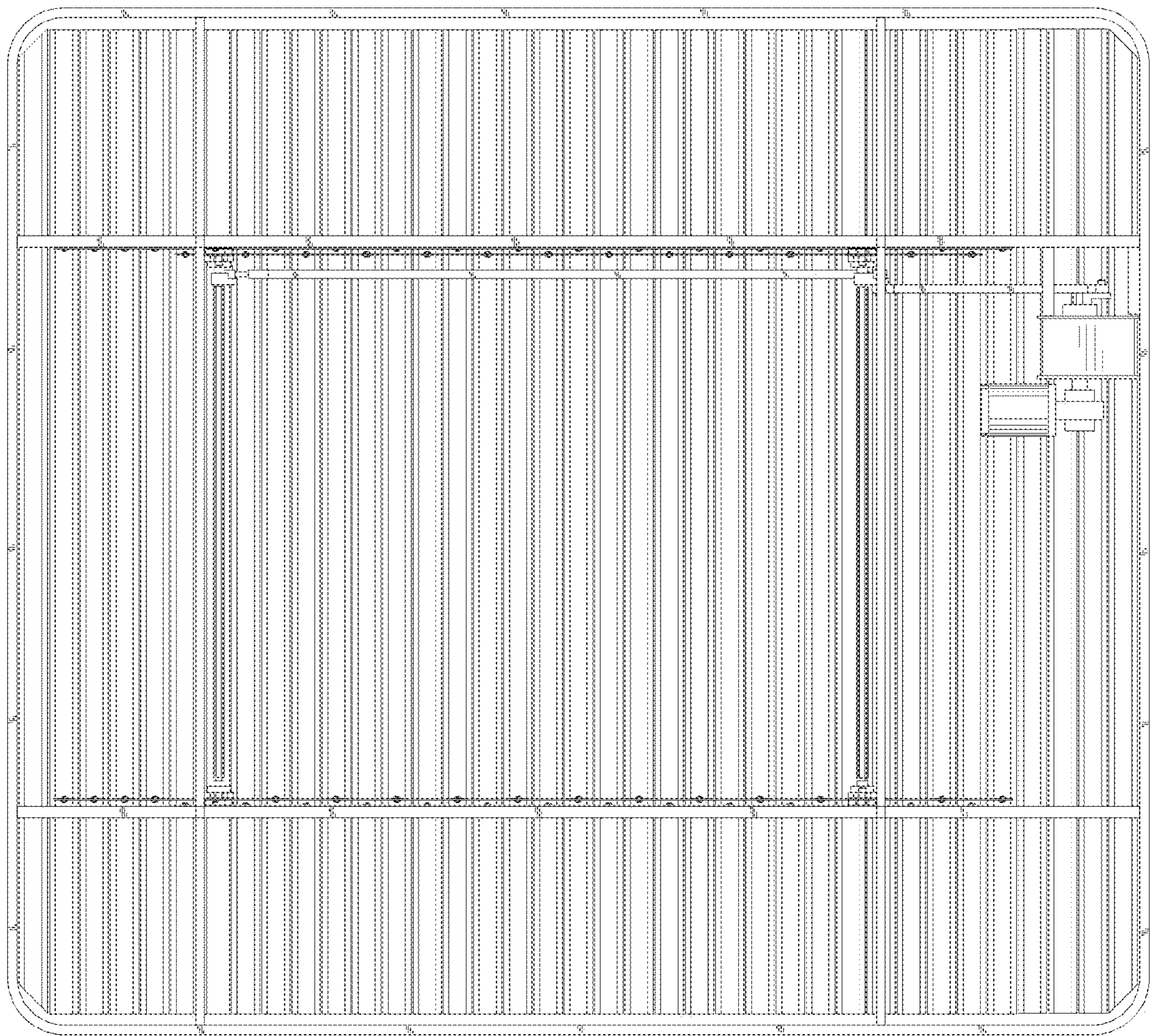


FIG.4

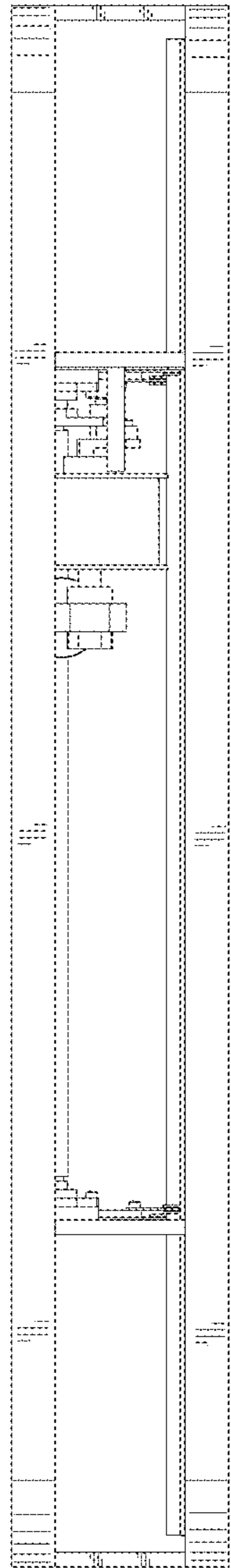


FIG. 5

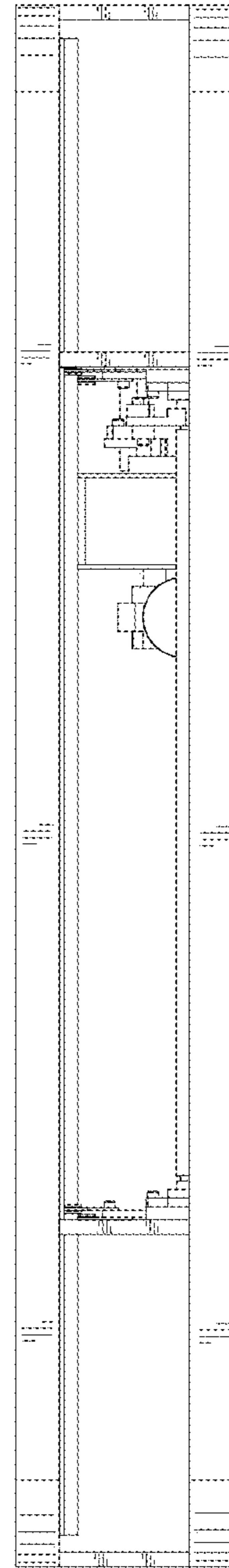


FIG. 6

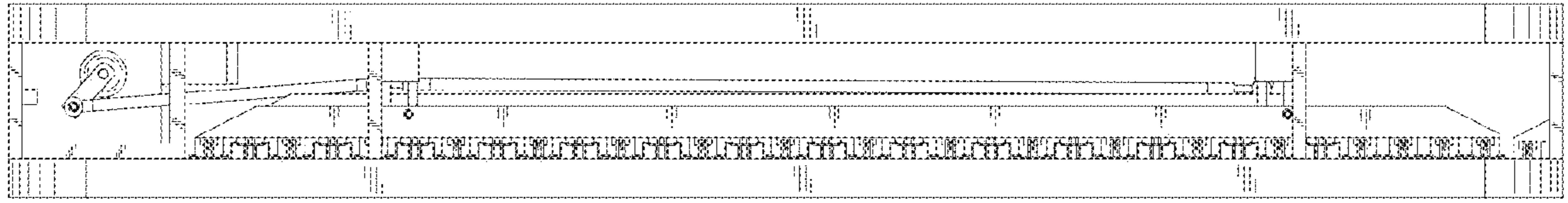


FIG. 7

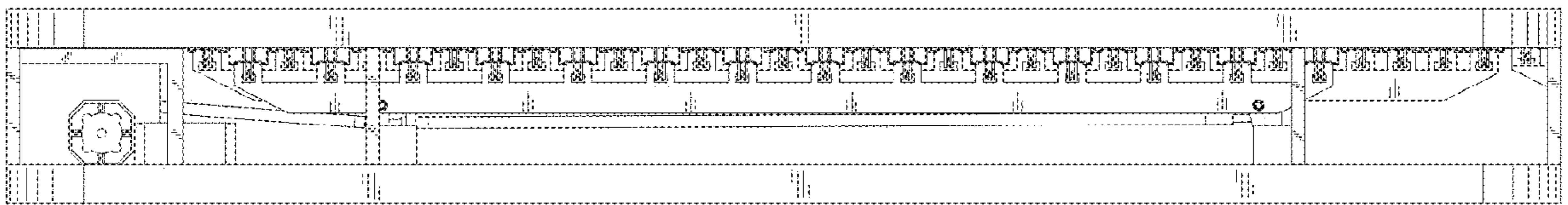


FIG. 8

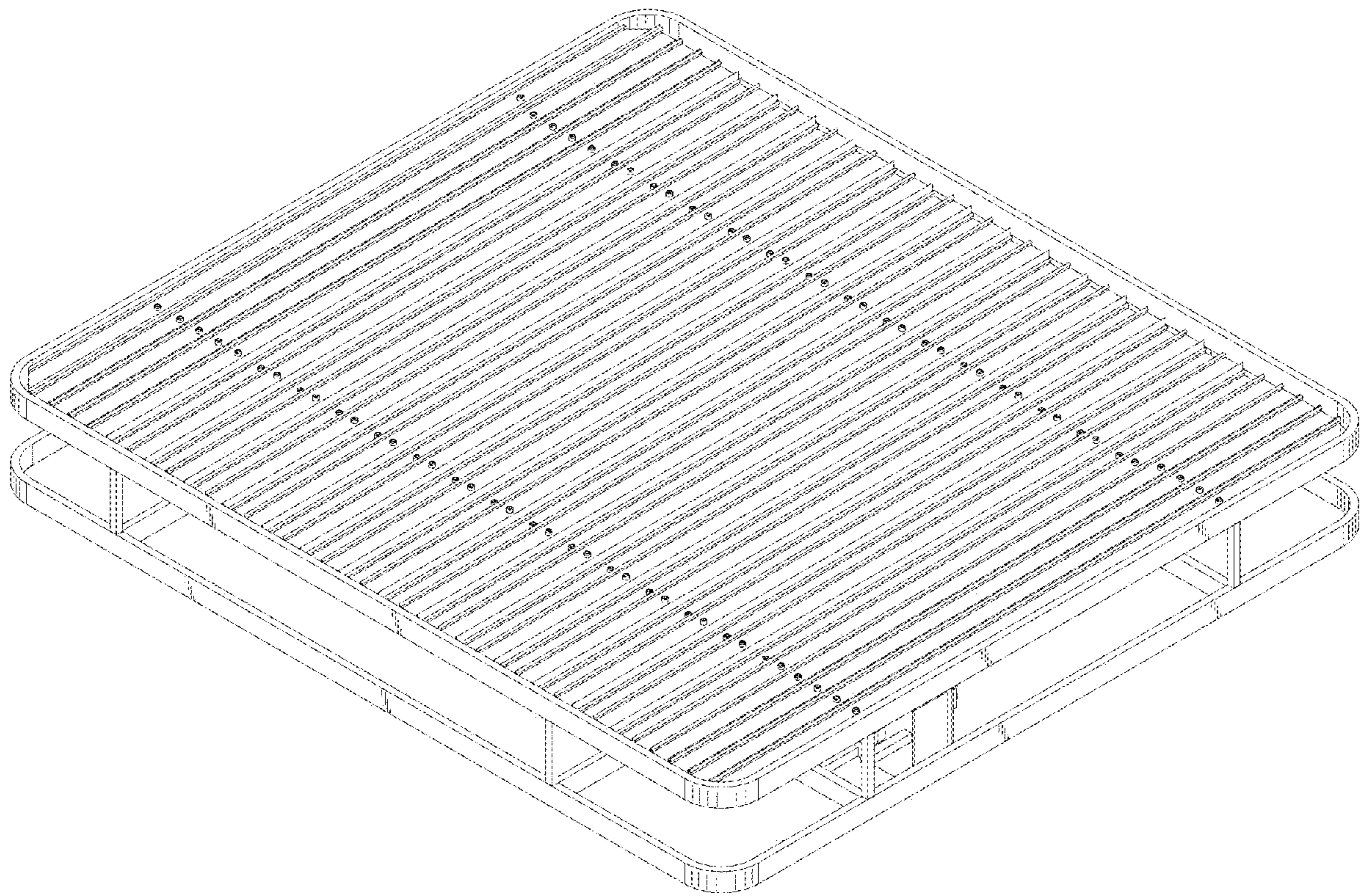


FIG.9