



US00D888460S

(12) **United States Design Patent**
Bickers et al.

(10) **Patent No.:** **US D888,460 S**

(45) **Date of Patent:** **** Jun. 30, 2020**

(54) **STORAGE TRACK**

(71) Applicant: **WHIRLPOOL CORPORATION**,
Benton Harbor, MI (US)

(72) Inventors: **Brian S. Bickers**, Stevensville, MI (US); **Sarah Jane Clinard**, Rolling Prairie, IN (US); **Allan Hasse, Jr.**, Benton Harbor, MI (US); **Matthew E. Pennington**, St. Joseph, MI (US); **Christina L. Schuette**, St. Joseph, MI (US); **Alethea Swiecicki**, South Haven, MI (US); **Deborah VanDrasek Visin**, St. Joseph, MI (US)

(73) Assignee: **Whirlpool Corporation**, Benton Harbor, MI (US)

(**) Term: **15 Years**

(21) Appl. No.: **29/672,509**

(22) Filed: **Dec. 6, 2018**

(51) **LOC (12) Cl.** **06-04**

(52) **U.S. Cl.**
USPC **D6/553**

(58) **Field of Classification Search**
USPC D6/553, 462, 468, 515, 564, 566, 567, D6/569, 570, 571, 572, 574, 629; D8/71, D8/72-74; D15/140; 108/28-29; 211/11, 13.1, 42, 57.1, 59.1, 71.01, 86.01, 211/87.01, 88.01, 88.03, 90.01, 94.01, 211/90.04, 126.1, 133.5, 134, 153, 182; 248/220.31, 222.51, 222.14, 225.11, 235, 248/309.1
CPC .. A47K 1/09; F16B 2/06; F16B 21/02; F16M 13/02; F16M 11/041; A47F 5/08
See application file for complete search history.

(56) **References Cited**

U.S. PATENT DOCUMENTS

6,050,426 A * 4/2000 Leurdijk A47B 96/067
211/57.1
D668,945 S * 10/2012 Fernandez D8/377

D699,049 S * 2/2014 Chou D6/553
D855,445 S * 8/2019 Moris D8/374
D867,087 S * 11/2019 Kao D8/71
2017/0280875 A1 * 10/2017 Buckley A47B 47/021

* cited by examiner

Primary Examiner — Wan Laymon

Assistant Examiner — Mark Booker

(74) *Attorney, Agent, or Firm* — Price Heneveld LLP

(57) **CLAIM**

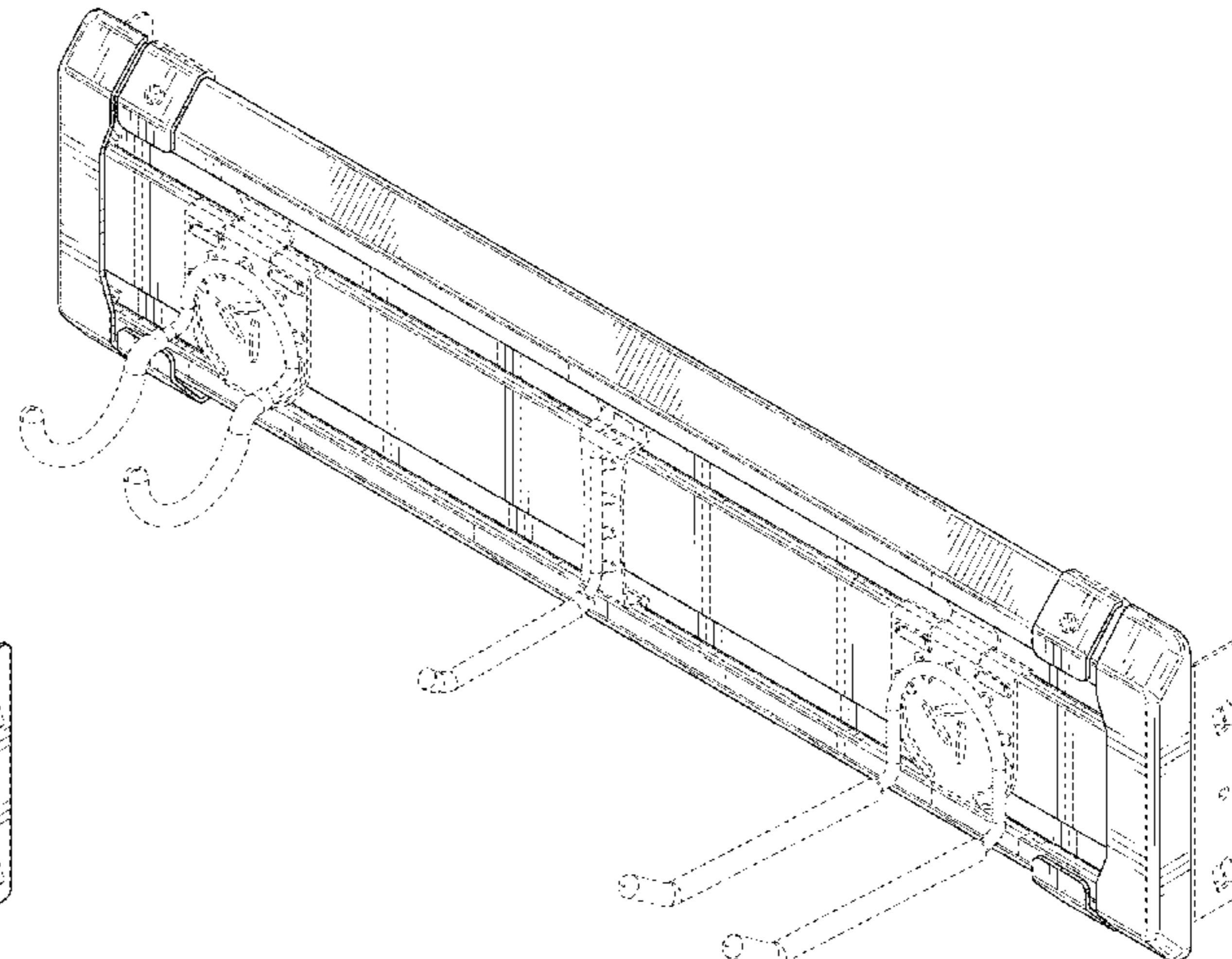
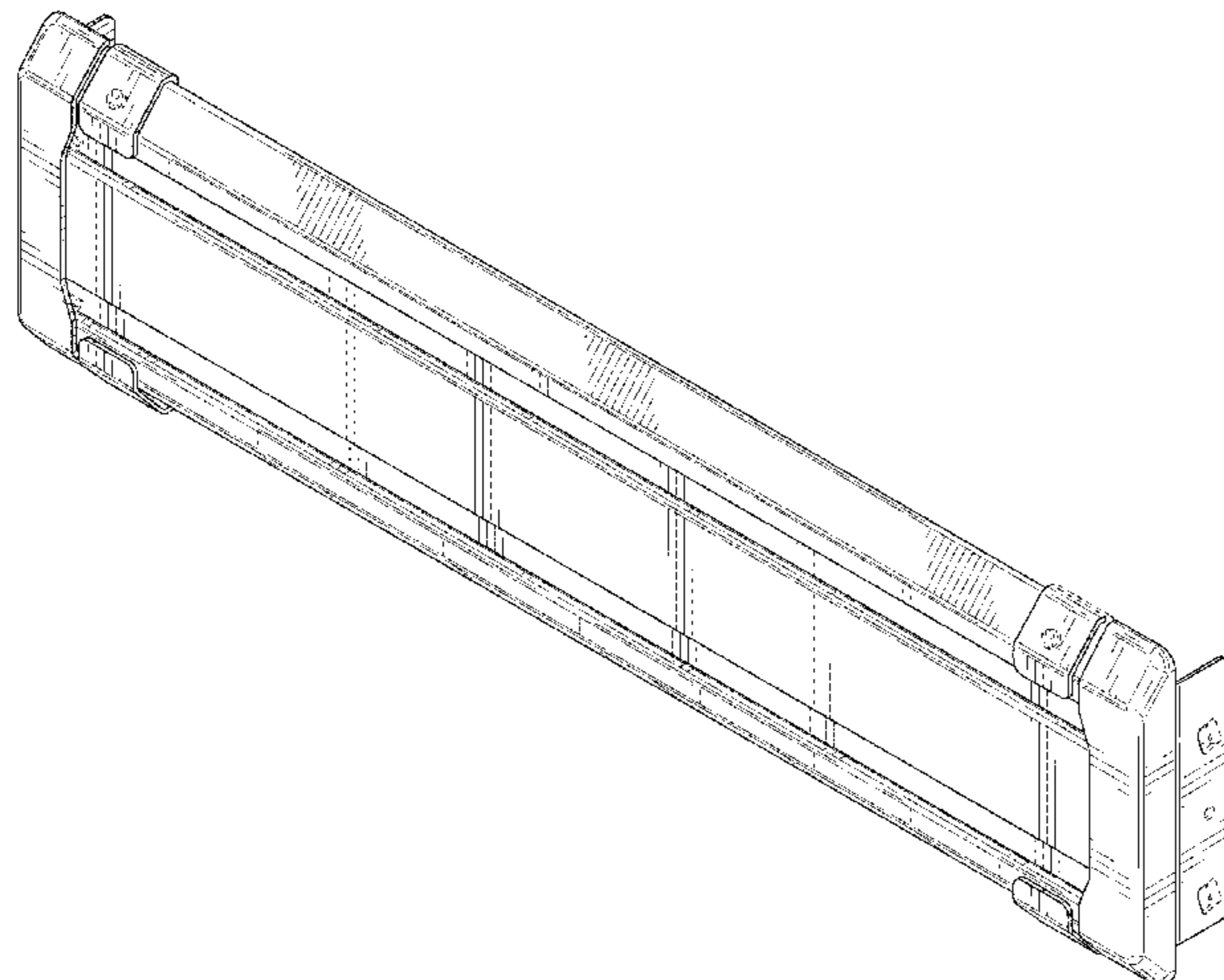
The ornamental design for a storage track, as shown and described.

DESCRIPTION

FIG. 1 is a front perspective view of a storage track according to a first embodiment of our design; FIG. 2 is a front elevation view thereof; FIG. 3 is a back elevation view thereof; FIG. 4 is a left side elevation view thereof; FIG. 5 is a right side elevation view thereof; FIG. 6 is a top plan view thereof; FIG. 7 is a bottom plan view thereof; FIG. 8 is a front perspective view of a storage track according to a second embodiment of our design; FIG. 9 is a front elevation view thereof; FIG. 10 is a back elevation view thereof; FIG. 11 is a left side elevation view thereof; FIG. 12 is a right side elevation view thereof; FIG. 13 is a top plan view thereof; FIG. 14 is a bottom plan view thereof; and, FIG. 15 is a front perspective view thereof shown in place on an unclaimed support element.

The broken lines shown in the figures represent portions of the storage track that form no part of the claimed design. The additional broken lines shown in FIG. 15 represent environment and form no part of the claimed design.

1 Claim, 12 Drawing Sheets



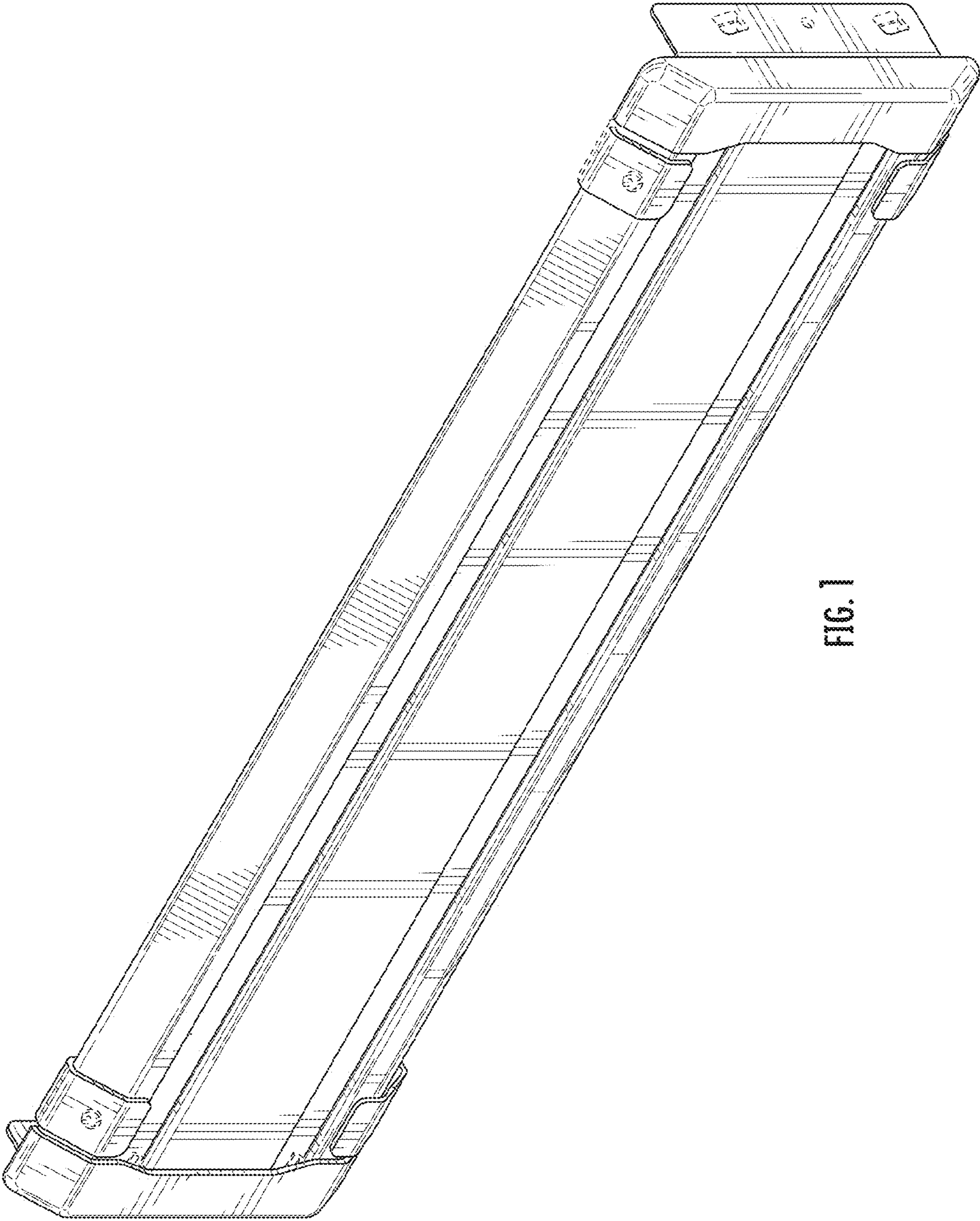


FIG. 1

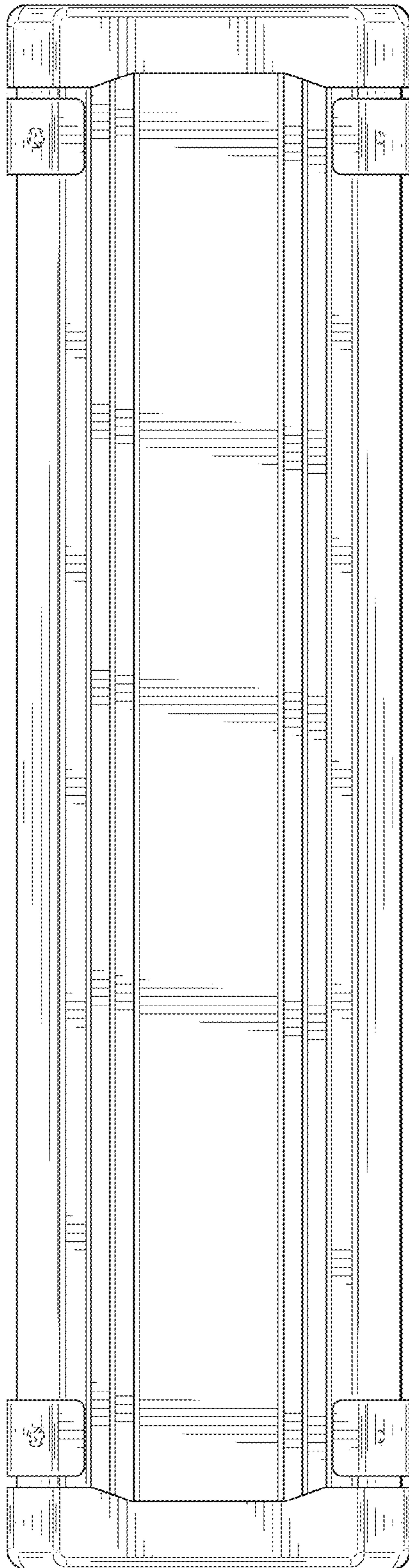


FIG. 2

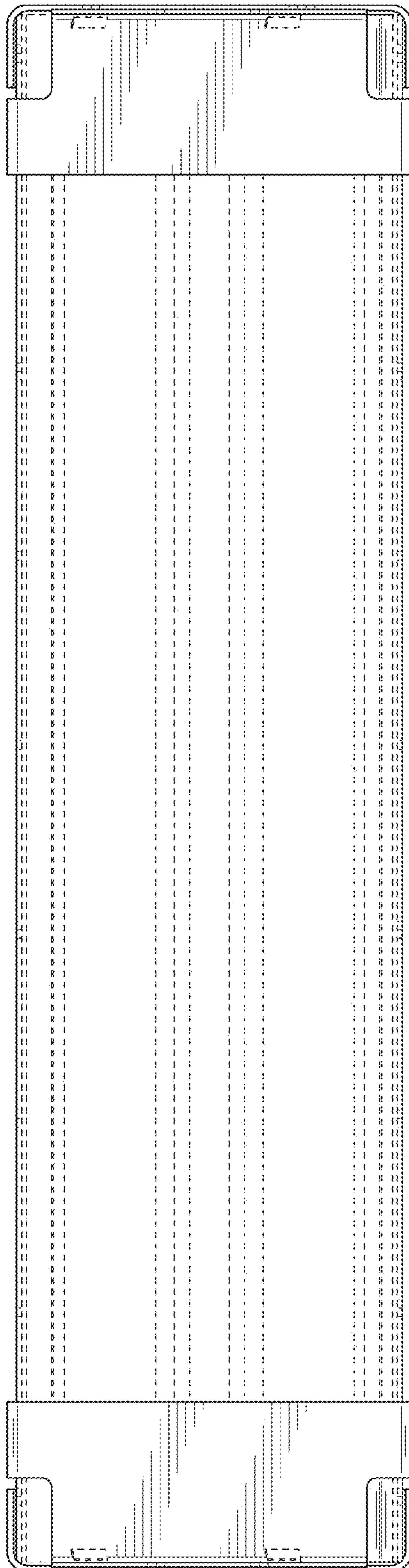


FIG. 3

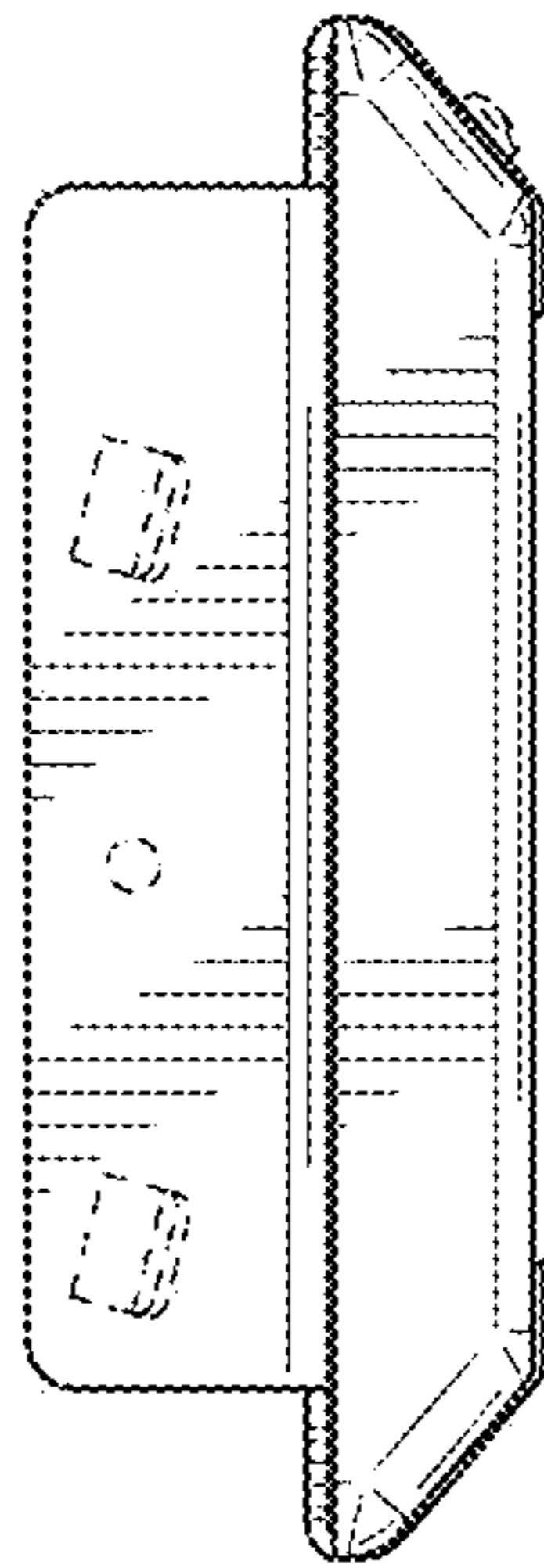


FIG. 4

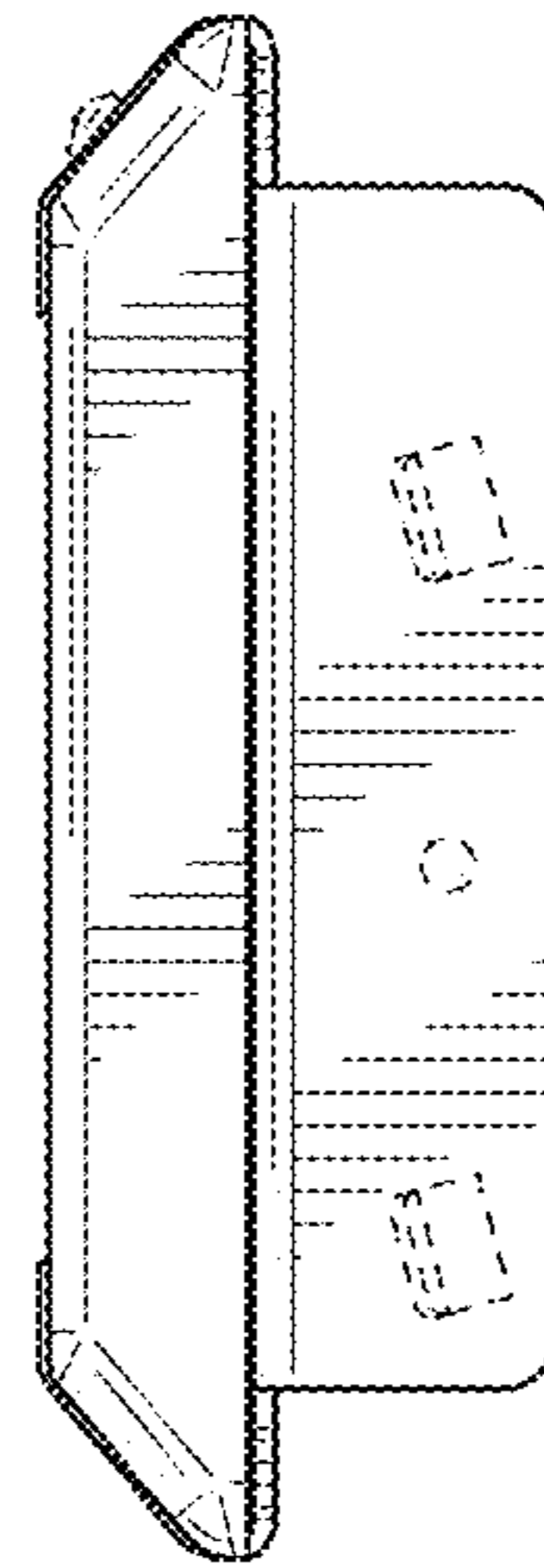


FIG. 5

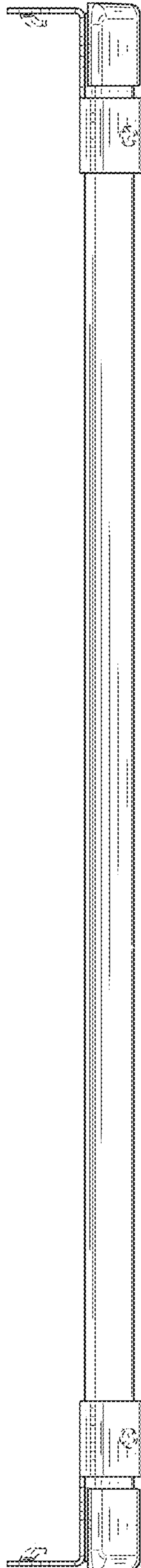


FIG. 6

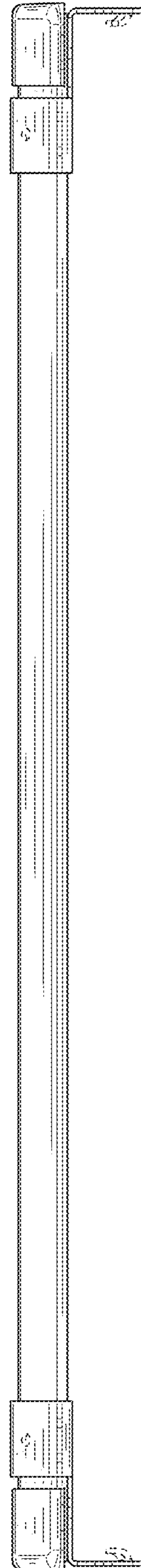


FIG. 7

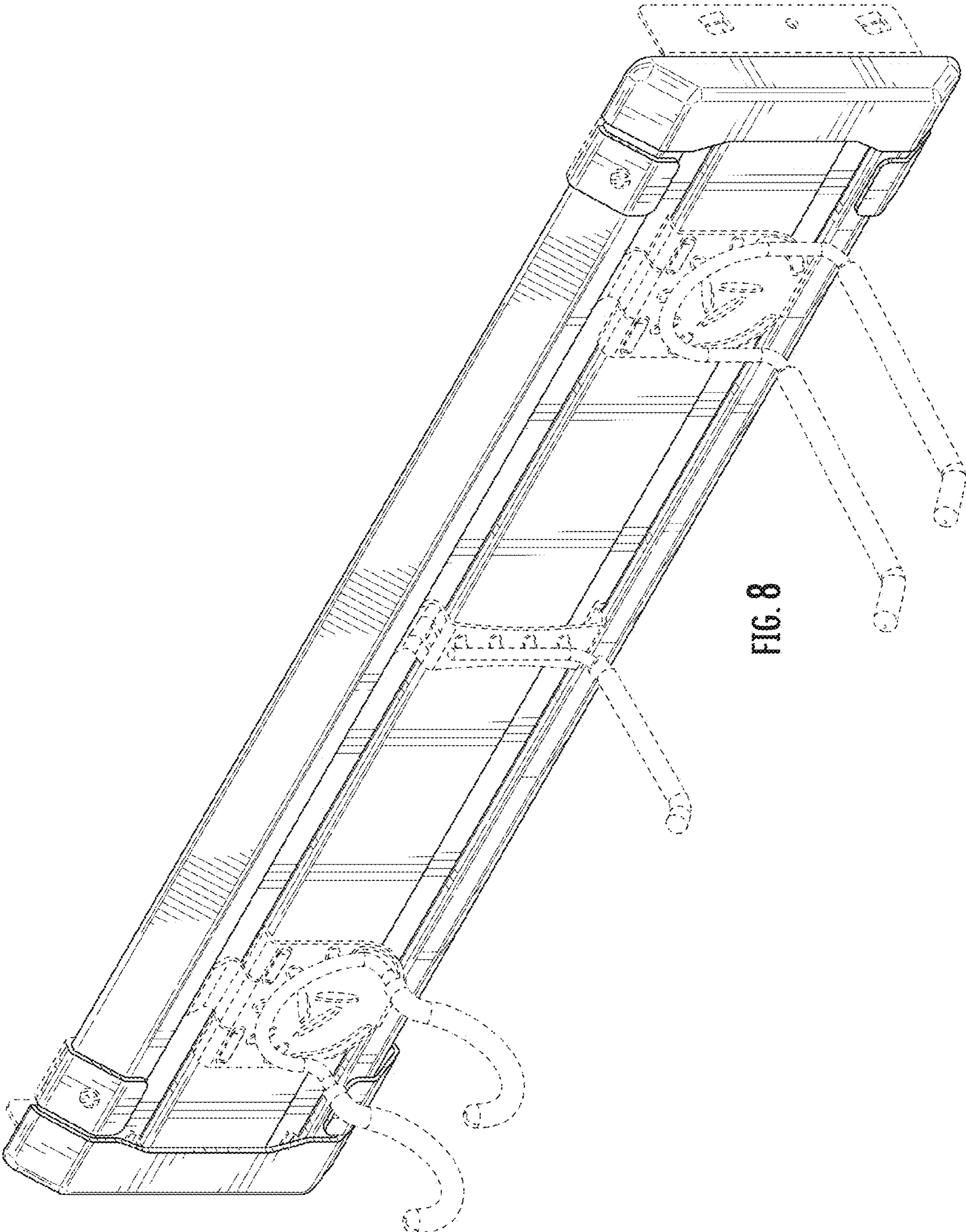


FIG. 8

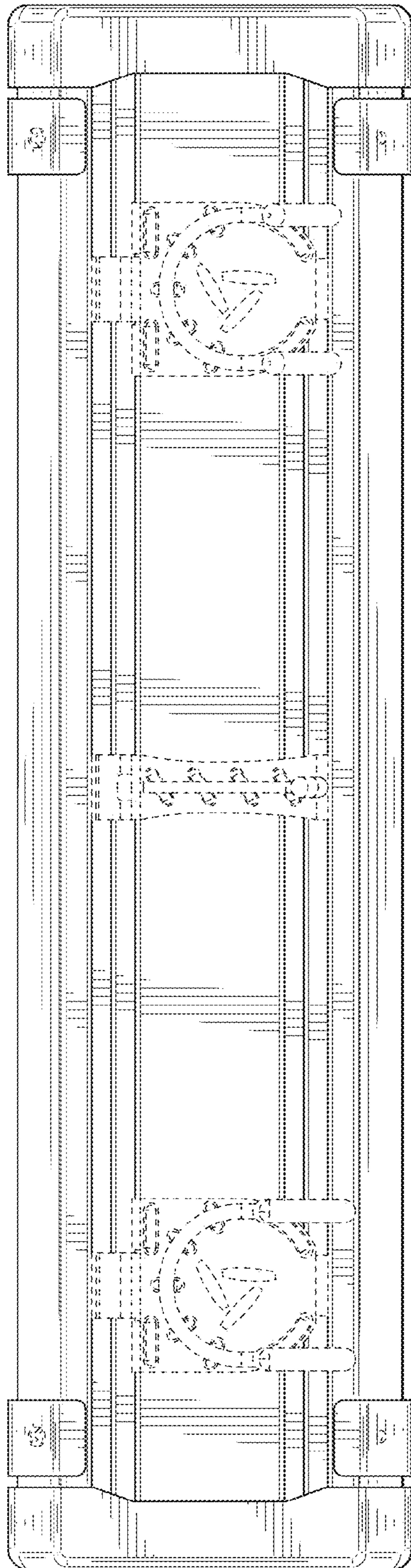


FIG. 9

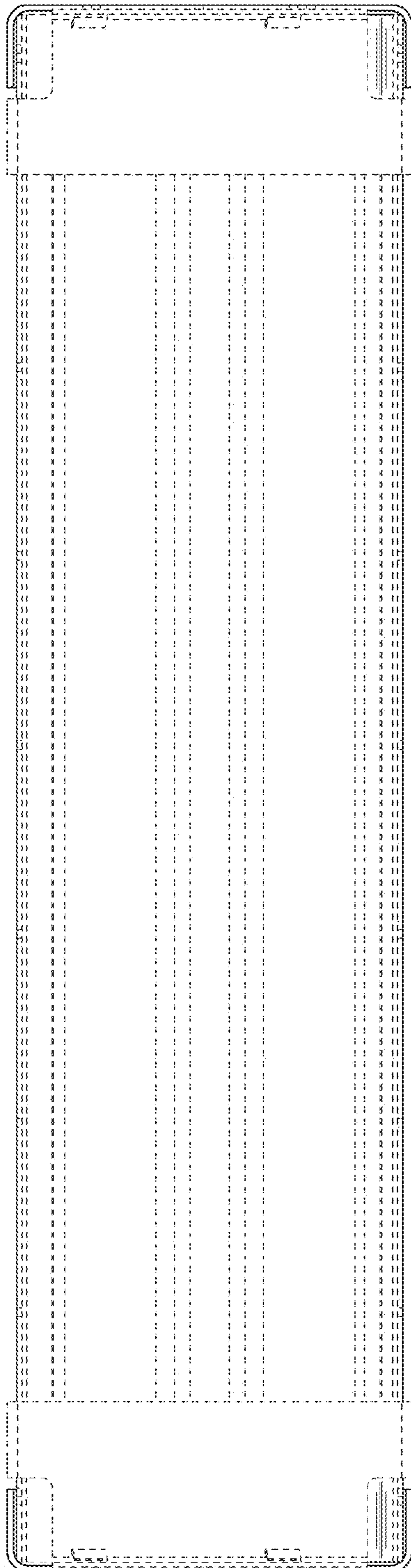


FIG. 10

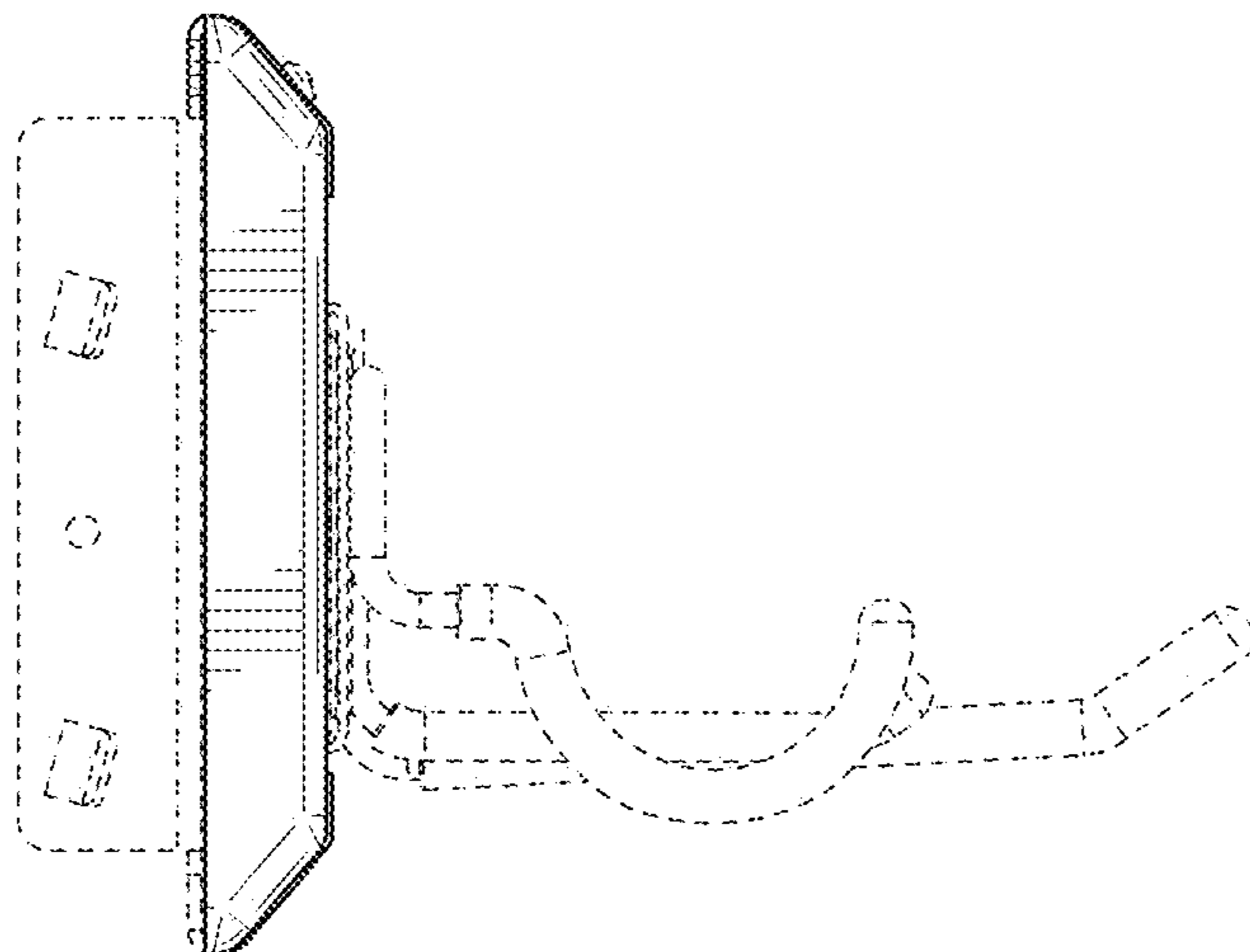


FIG. 11

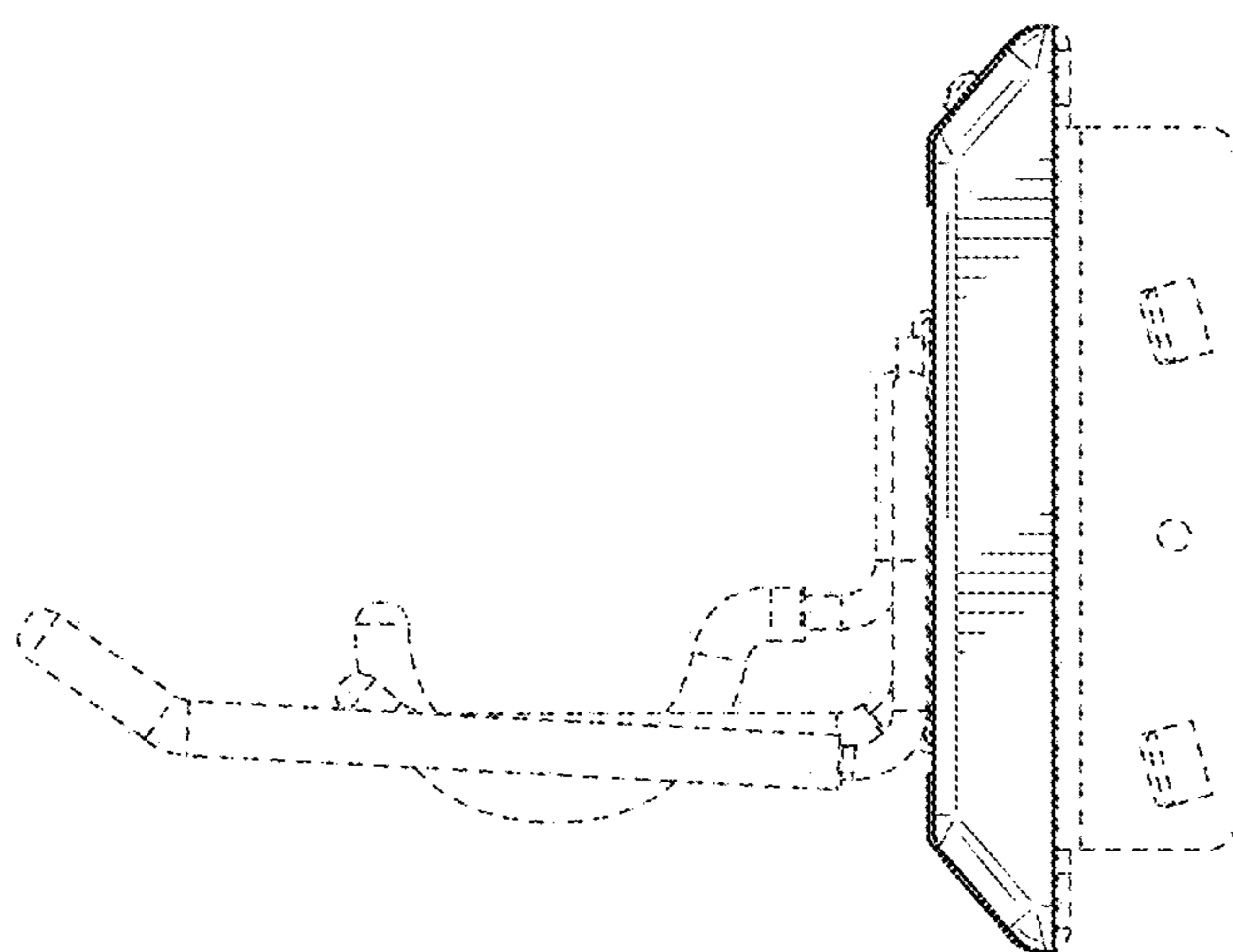


FIG. 12

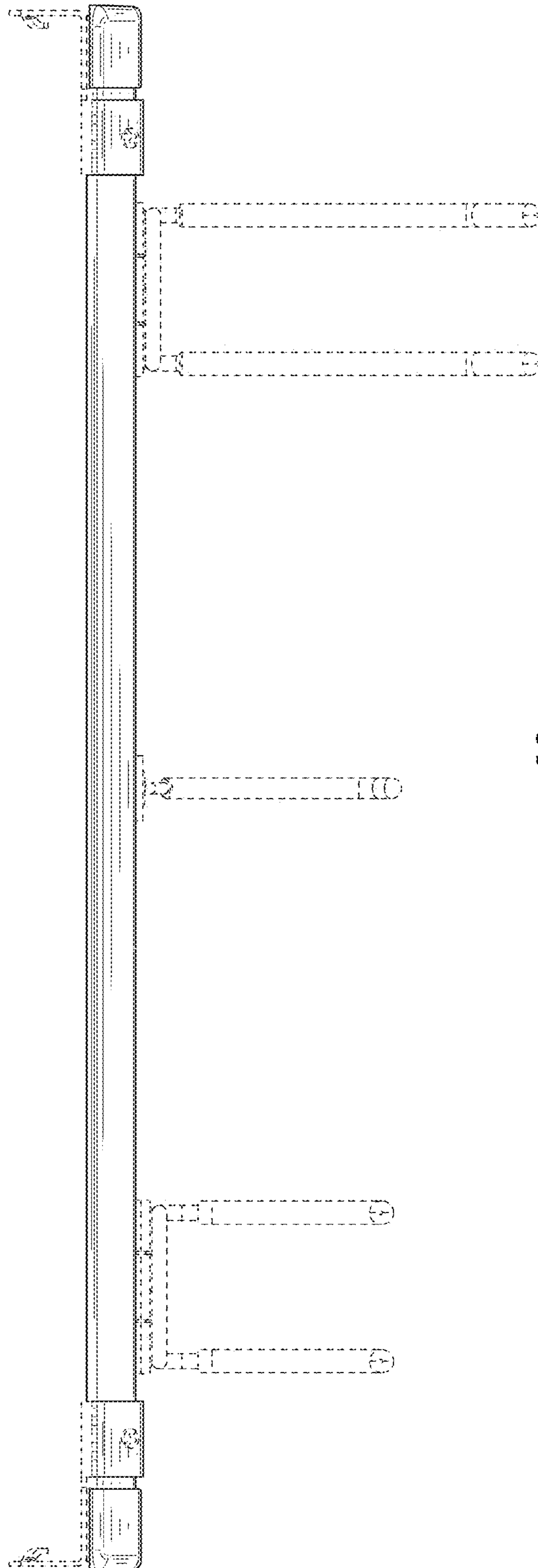


FIG. 13

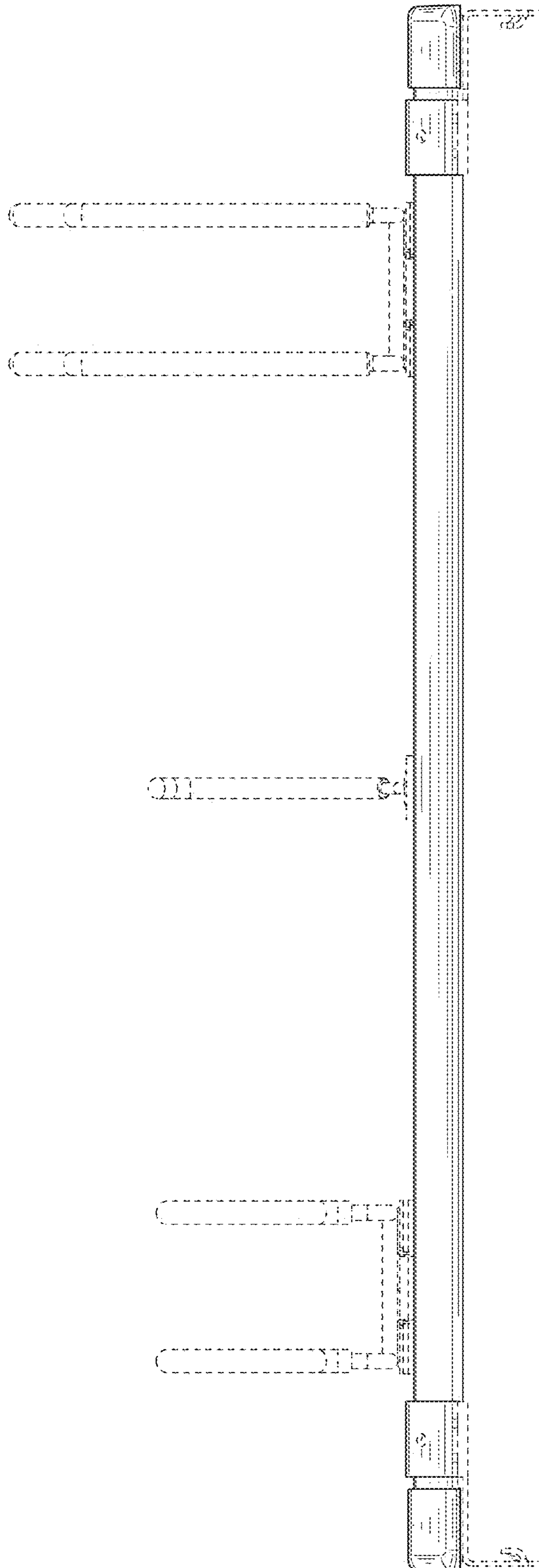


FIG. 14

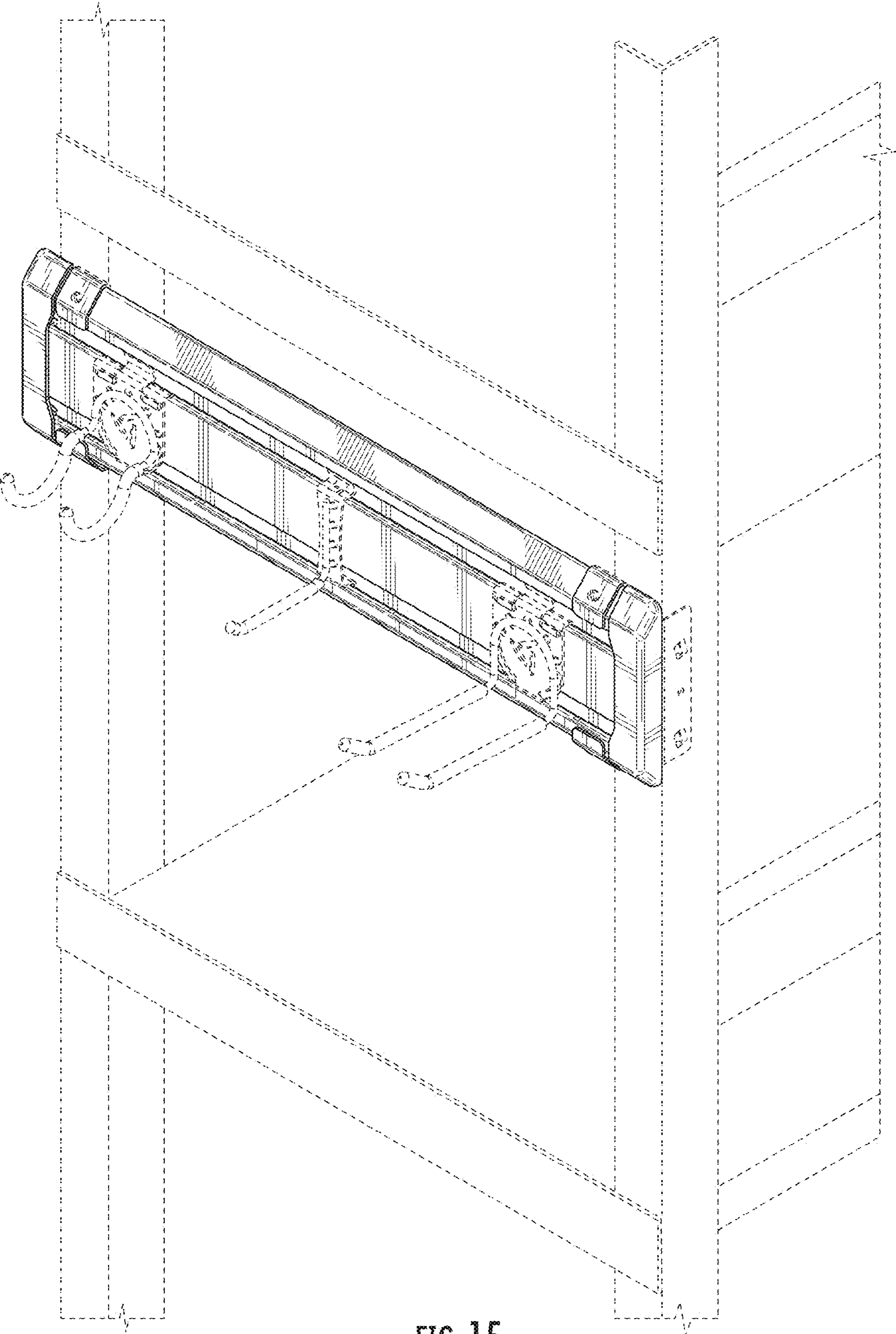


FIG. 15