



US00D888459S

(12) **United States Design Patent** (10) **Patent No.:** **US D888,459 S**  
**Fox** (45) **Date of Patent:** **\*\* Jun. 30, 2020**

(54) **SHELF FOR A SHOWER**  
(71) Applicant: **Nicole Fox**, Linfield, PA (US)  
(72) Inventor: **Nicole Fox**, Linfield, PA (US)  
(\*\*) Term: **15 Years**

(21) Appl. No.: **29/648,347**  
(22) Filed: **May 21, 2018**  
(51) **LOC (12) Cl.** ..... **06-04**  
(52) **U.S. Cl.**  
USPC ..... **D6/524**  
(58) **Field of Classification Search**  
USPC ..... D6/574, 320-324, 524, 567; D7/698;  
D2/672; D26/72; 108/28-29, 152;  
211/13.1, 42, 86.01, 88.01, 90.01, 90.03,  
211/126.1, 134, 153; 248/205.3, 235,  
248/243, 247, 250; D23/305  
CPC ..... A47B 43/00; A47B 43/04; A47B 47/0066;  
A47B 47/04; A47B 63/00; A47B 69/00;  
A47B 71/00  
See application file for complete search history.

(56) **References Cited**  
**U.S. PATENT DOCUMENTS**  
6,196,139 B1 3/2001 Jensen et al.  
6,848,368 B2 2/2005 Leith  
D545,604 S \* 7/2007 Eyman ..... D6/574  
D763,024 S 8/2016 Hsu  
D816,372 S \* 5/2018 Berkowitz ..... D6/567

D846,304 S \* 4/2019 Allen ..... D6/574  
D856,024 S \* 8/2019 Kovesdi ..... D6/524  
D880,199 S \* 4/2020 Xia ..... D6/642  
2005/0005824 A1 1/2005 McLemore  
2017/0049237 A1 2/2017 Nocik, Jr.

**OTHER PUBLICATIONS**

Marble Shelf by Fort Standard. Product listing [online]. Chaira Colombini. Interior Design [retrieved on Jan. 29, 2018]. Retrieved from the Internet: <URL: <https://www.chiaracolombini.com/en/home-accessories-3/wall-hooks-shelves-20/marble-shelf-466.html>>.

\* cited by examiner

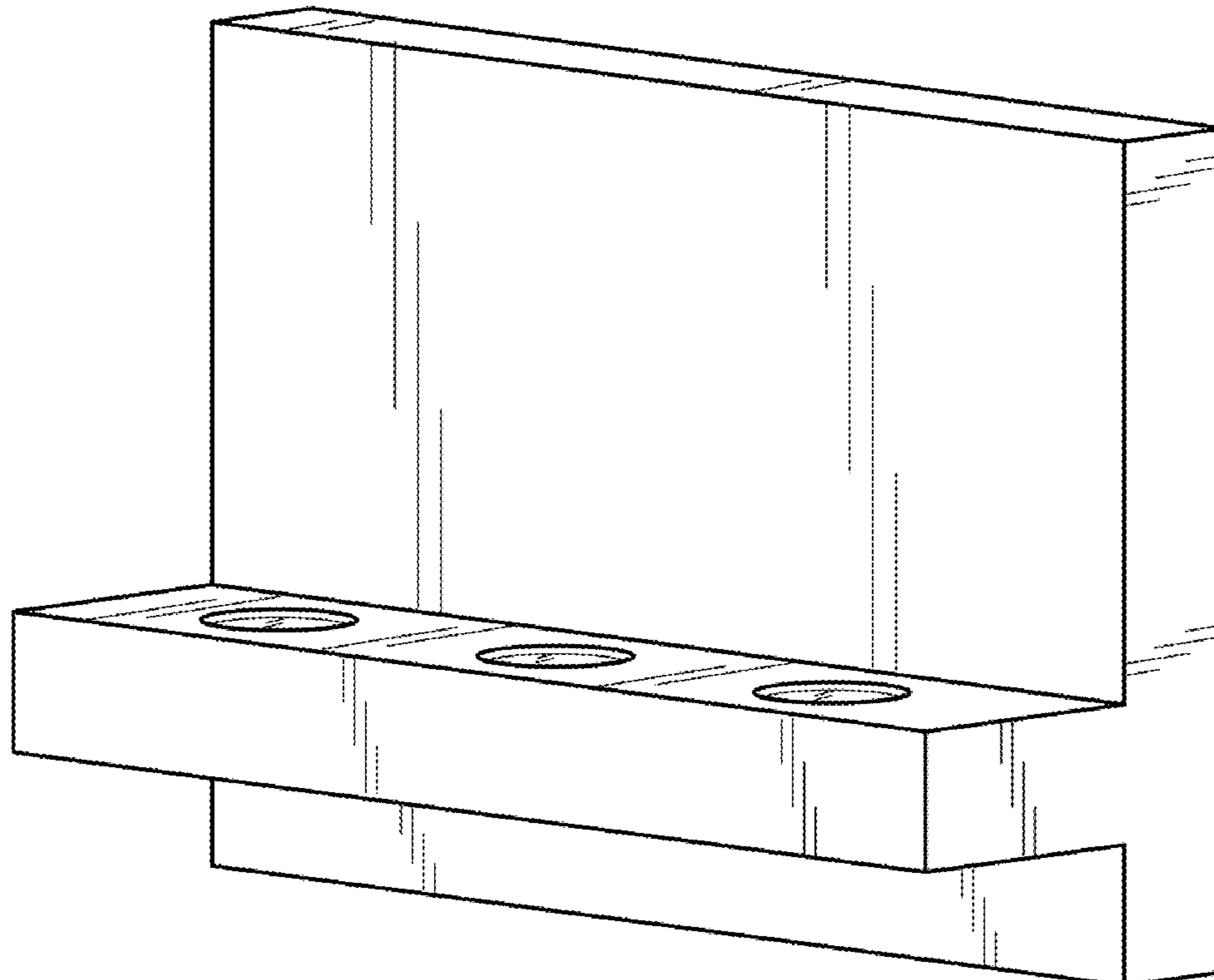
*Primary Examiner* — Wan Laymon  
*Assistant Examiner* — Mark Booker  
(74) *Attorney, Agent, or Firm* — Cramer Patent & Design, PLLC; Aaron R. Cramer

(57) **CLAIM**  
The ornamental design for a shelf for a shower, as shown and described.

**DESCRIPTION**

FIG. 1 is a perspective top front right view of a shelf for a shower, showing my new design;  
FIG. 2 is a perspective top rear left view thereof;  
FIG. 3 is a front elevation view thereof;  
FIG. 4 is a rear elevation view thereof;  
FIG. 5 is a right elevation view thereof;  
FIG. 6 is a left elevation view thereof;  
FIG. 7 is a top plan view thereof; and,  
FIG. 8 is a bottom plan view thereof.

**1 Claim, 8 Drawing Sheets**



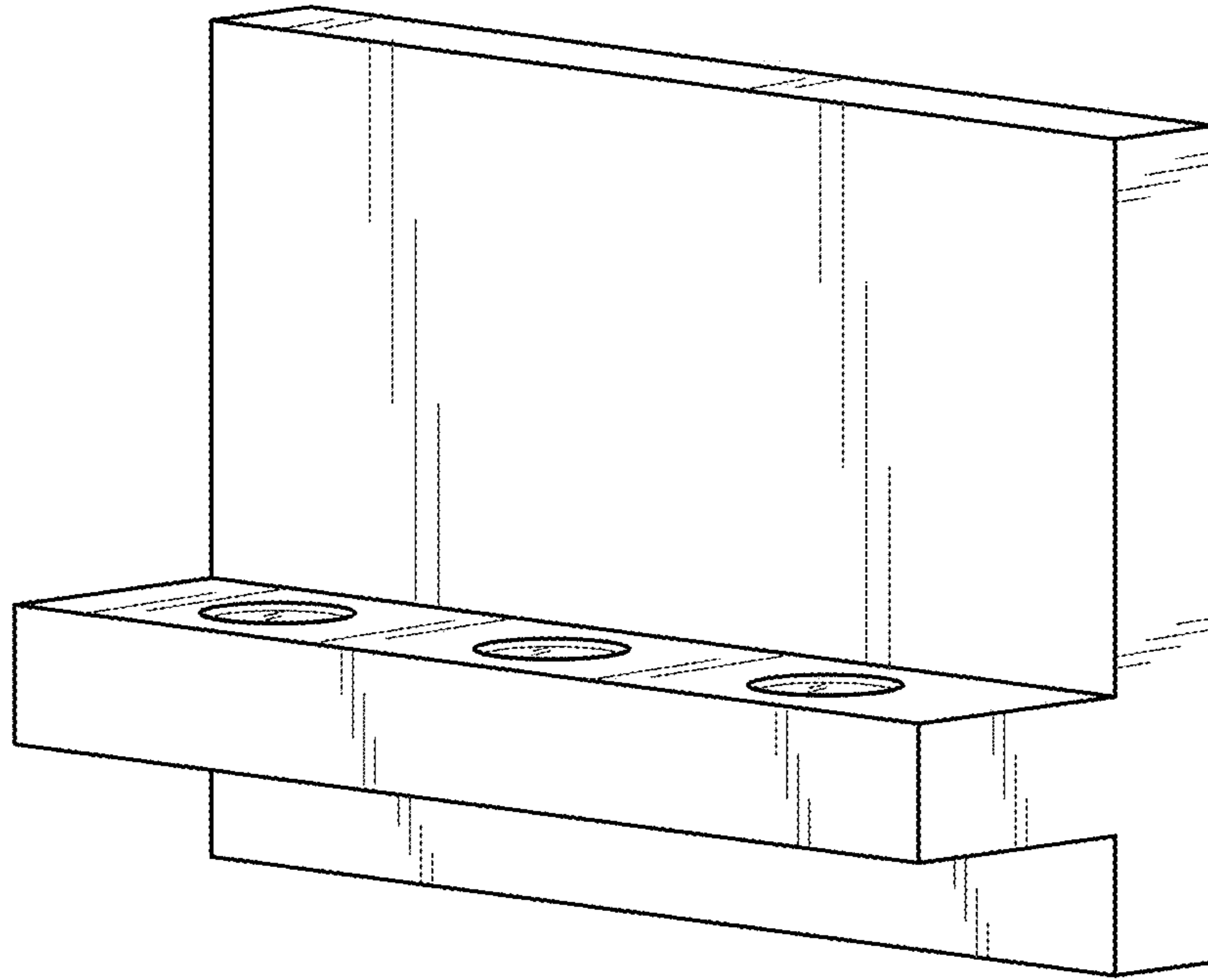


FIG. 1

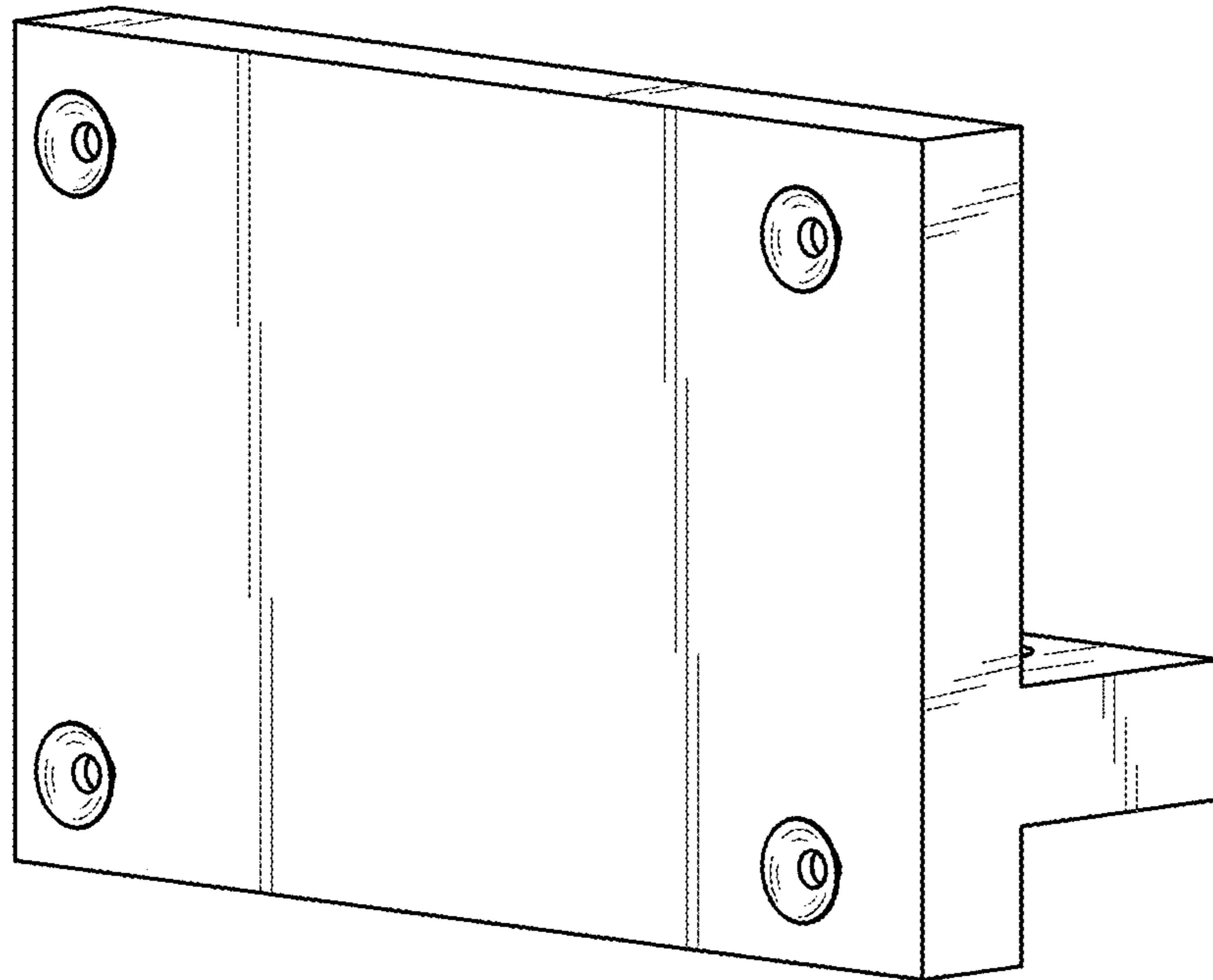


FIG. 2

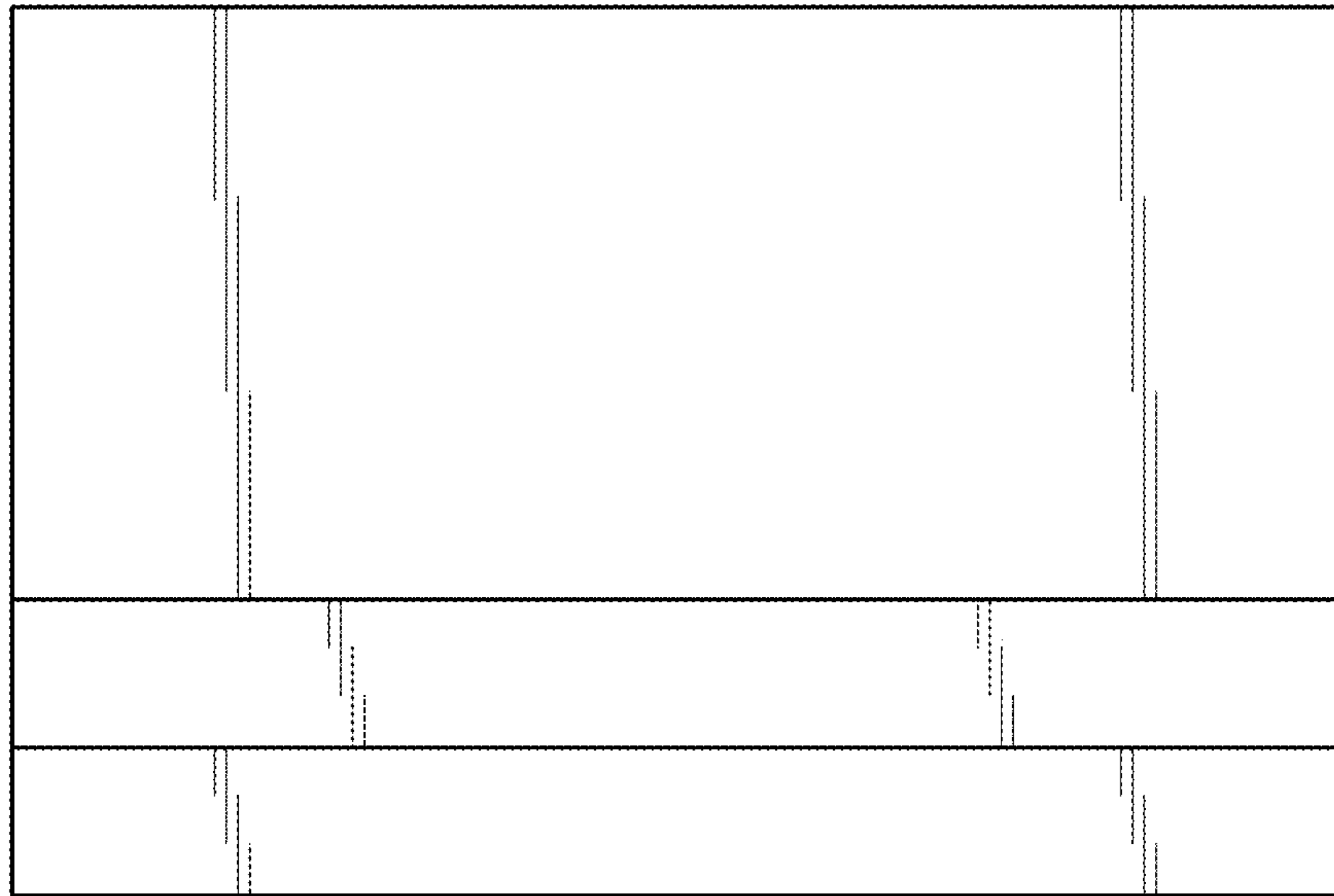


FIG. 3

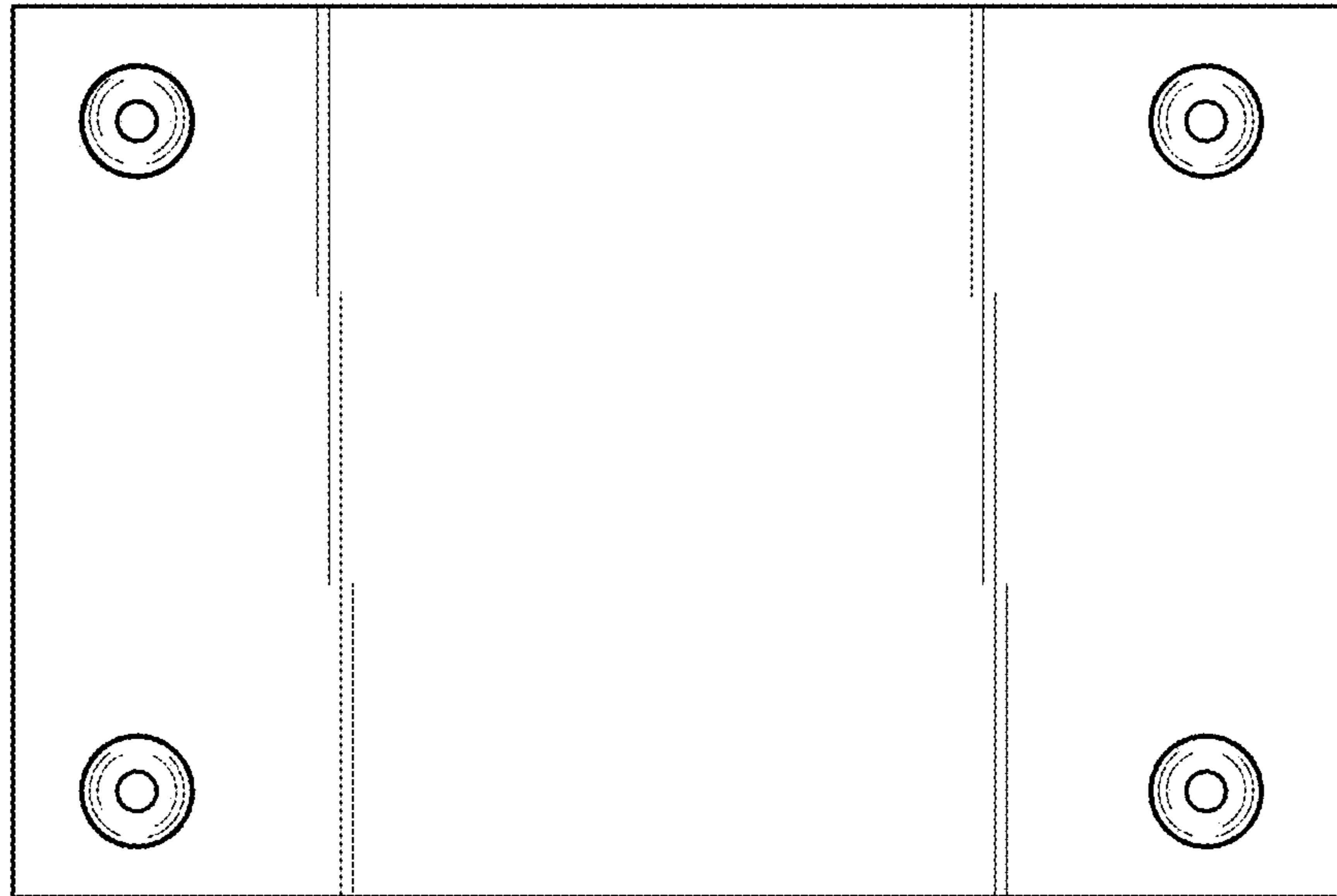


FIG. 4

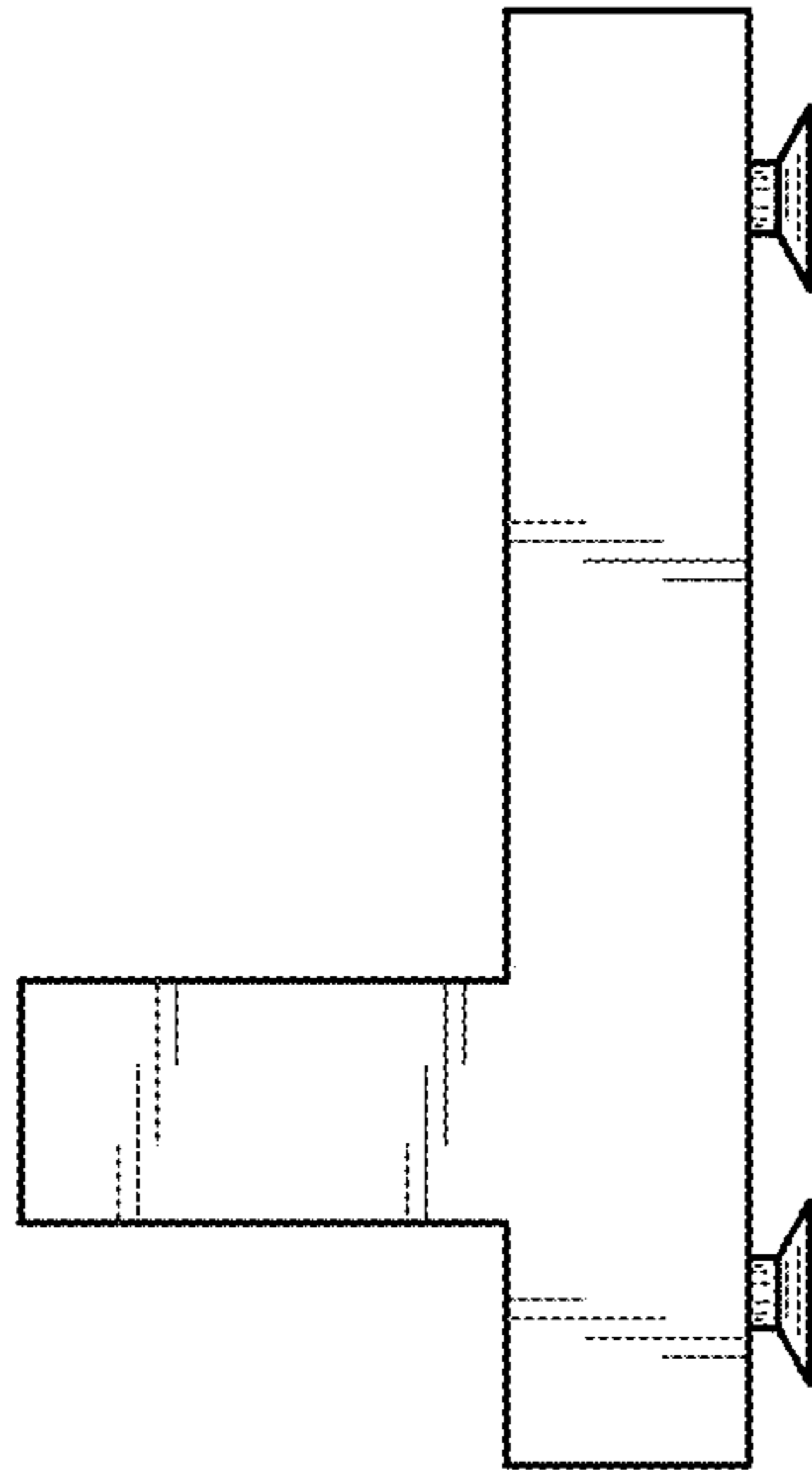


FIG. 5

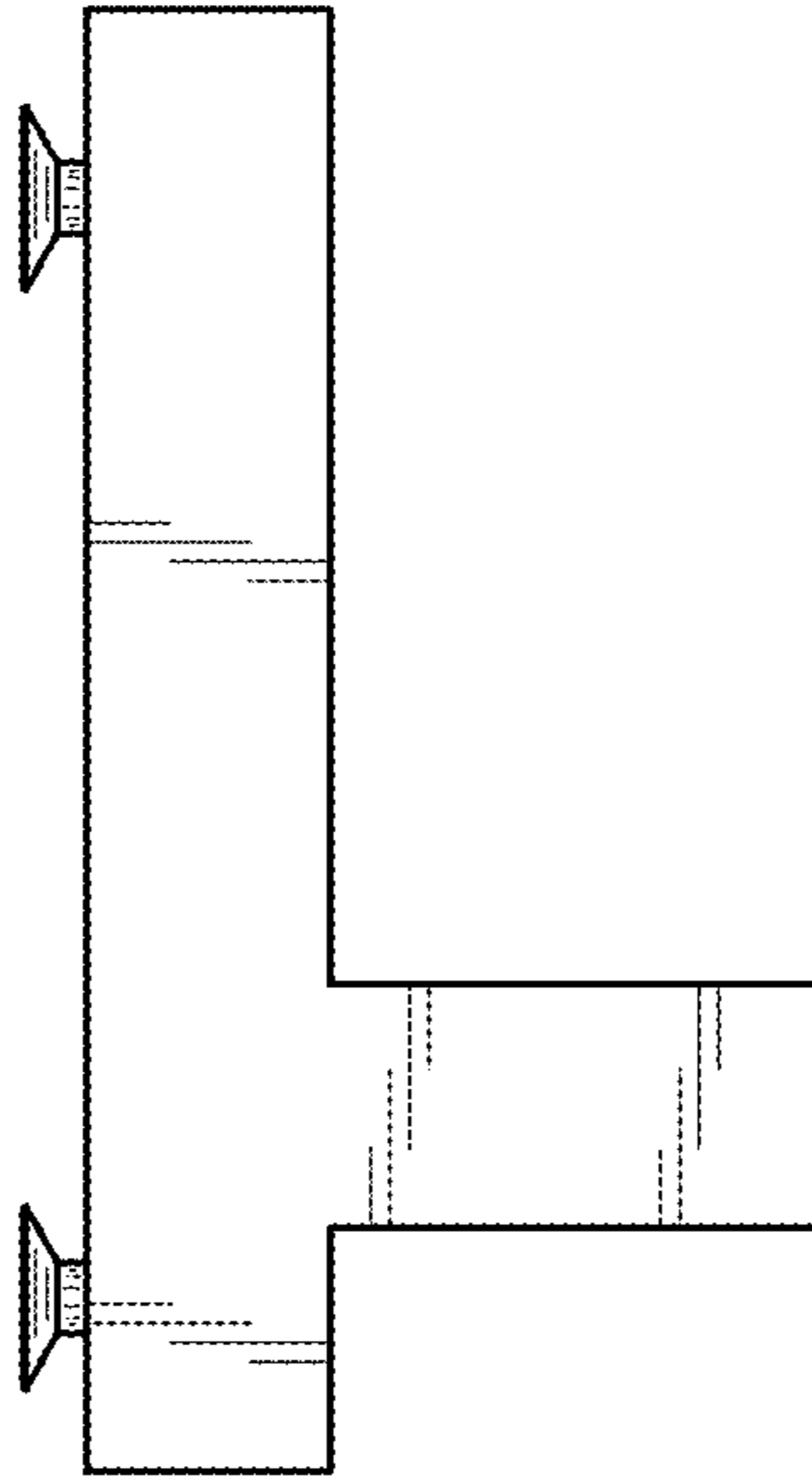


FIG. 6

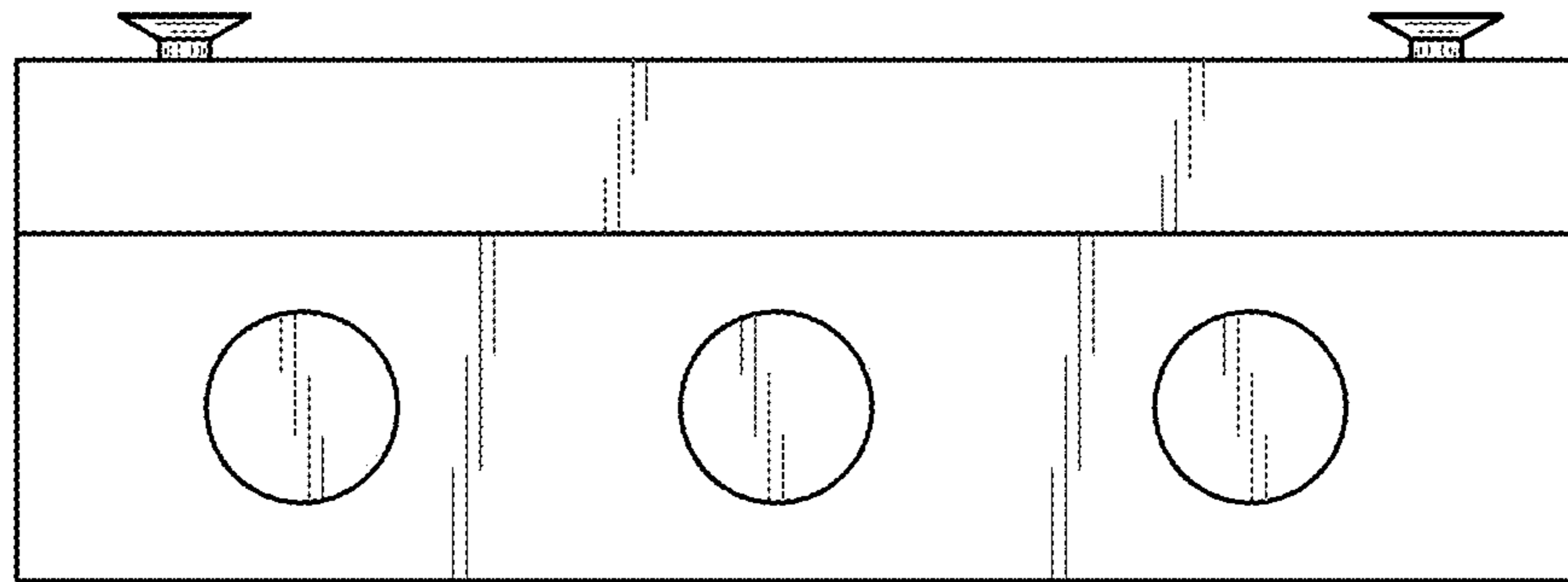


FIG. 7



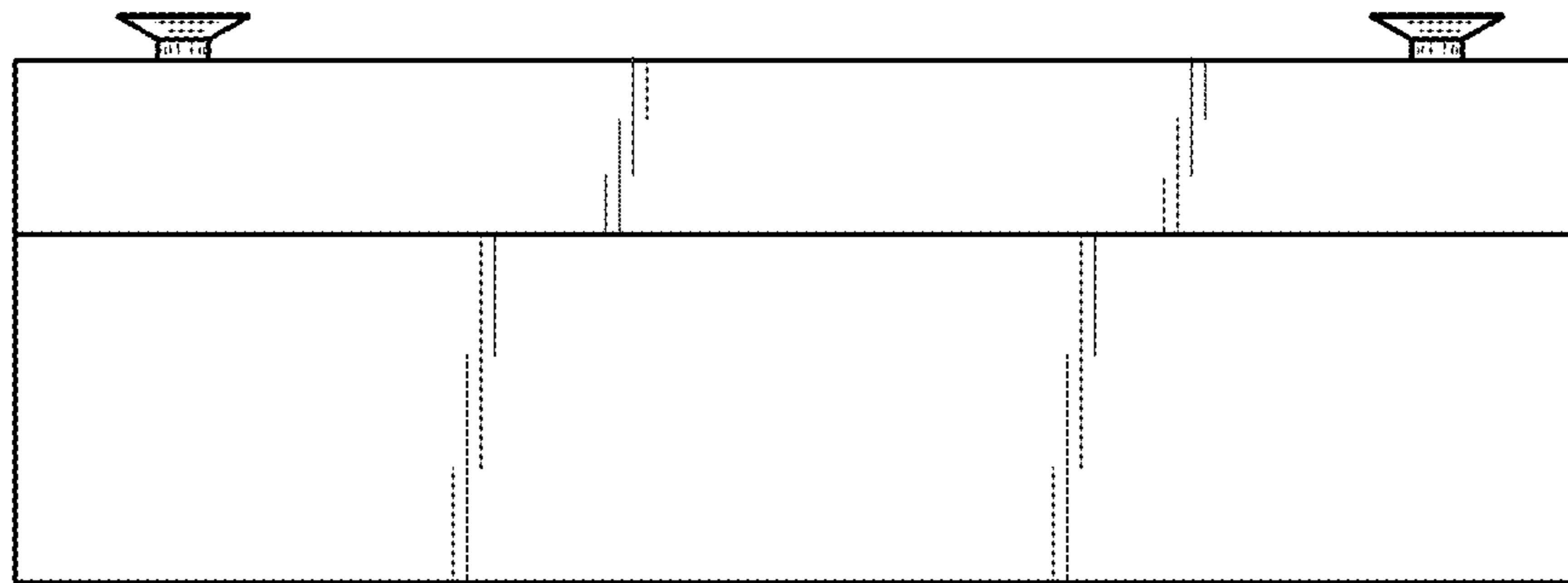


FIG. 8