



US00D888456S

(12) **United States Design Patent**  
**Koophavonrerk**

(10) **Patent No.:** **US D888,456 S**  
(45) **Date of Patent:** **\*\* Jun. 30, 2020**

(54) **CHAIR**

- (71) Applicant: **Shun Thai Co., Ltd.**, Samutsakorn (TH)
- (72) Inventor: **Teerana Koophavonrerk**, Samutsakorn (TH)
- (73) Assignee: **SHUN THAI CO., LTD** (TH)
- (\*\*) Term: **15 Years**
- (21) Appl. No.: **29/677,156**
- (22) Filed: **Jan. 17, 2019**
- (51) **LOC (12) Cl.** ..... **06-01**
- (52) **U.S. Cl.**  
USPC ..... **D6/379; D6/380**
- (58) **Field of Classification Search**  
USPC ..... D6/373, 374, 375, 716, 369, 716.4, 360, D6/380, 348, 334, 361, 364, 377, 677, D6/341, 349, 350, 352, 353, 379, 381, D6/370, 717, 358, 708.16, 336, 357, 362, D6/363, 365, 366, 371; 297/217.1, 440.1, 297/440.21, 452.14  
CPC .. A47C 11/00; A47C 4/02; A47C 4/03; A47C 4/08; A47C 4/024; A47C 4/025; A47C 4/028; A47C 5/04; A47C 7/16; A47C 5/12; A47C 7/36; A47C 7/40; A47C 13/023; A47C 5/08; A47C 9/007; A47C 17/175; A47C 13/005; A47C 11/005  
See application file for complete search history.

(56) **References Cited**

**U.S. PATENT DOCUMENTS**

- D324,786 S \* 3/1992 Saiger ..... D6/370
- D333,576 S \* 3/1993 Burdick ..... D6/379
- D424,825 S \* 5/2000 Tihany ..... D6/369

(Continued)

**FOREIGN PATENT DOCUMENTS**

- CN 305272415 \* 10/2018
- CN 305584148 \* 12/2018

(Continued)

**OTHER PUBLICATIONS**

Shunthai,dinning chair, [online]retrieved Apr. 30, 2020, available from internet, <https://www.shunthai.com/> (Year: 2020).\*

*Primary Examiner* — Keli L Hill

*Assistant Examiner* — Sara S Sahneh

(74) *Attorney, Agent, or Firm* — Kim IP Law Group PLLC

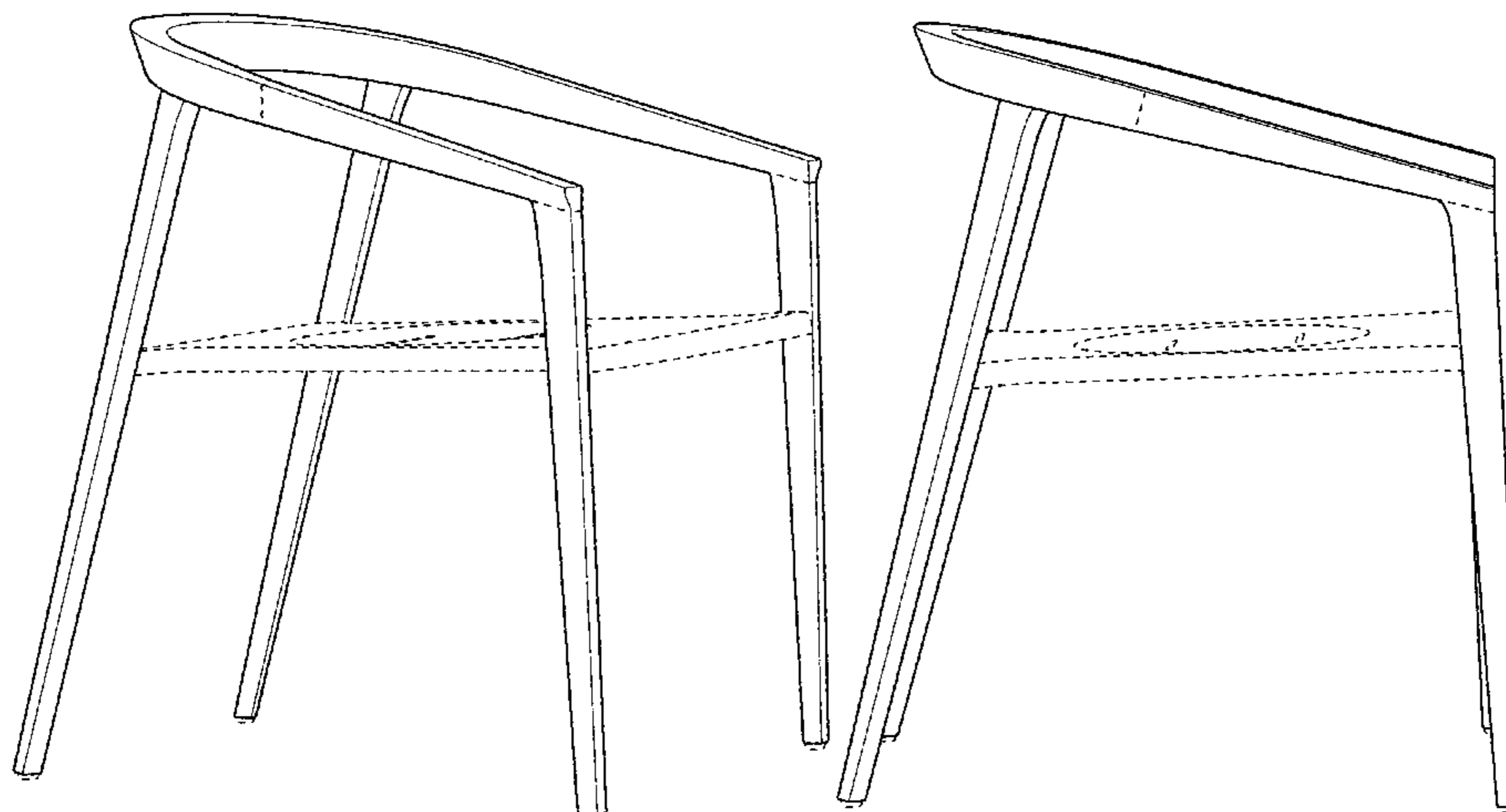
(57) **CLAIM**

The ornamental design for a chair, as shown and described.

**DESCRIPTION**

FIG. 1 is a perspective view of a chair in accordance with a first embodiment of the new design;  
 FIG. 2 is a front view of the chair of FIG. 1;  
 FIG. 3 is a rear view of the chair of FIG. 1;  
 FIG. 4 is a right side view of the chair of FIG. 1, the left side being a mirror image;  
 FIG. 5 is a top view of the chair of FIG. 1;  
 FIG. 6 is a perspective view of a chair in accordance with a second embodiment of the new design;  
 FIG. 7 is a front view of the chair of FIG. 6;  
 FIG. 8 is a rear view of the chair of FIG. 6;  
 FIG. 9 is a right side view of the chair of FIG. 6, the left side being a mirror image;  
 FIG. 10 is a top view of the chair of FIG. 6;  
 FIG. 11 is a perspective view of a chair in accordance with a third embodiment of the new design;  
 FIG. 12 is a front view of the chair of FIG. 11;  
 FIG. 13 is a rear view of the chair of FIG. 11;  
 FIG. 14 is a right side view of the chair of FIG. 11, the left side being a mirror image; and,  
 FIG. 15 is a top view of the chair of FIG. 11.  
 In the drawings, the broken lines illustrate portions of the chair that form no part of the claimed design.

**1 Claim, 15 Drawing Sheets**



(56)

**References Cited**

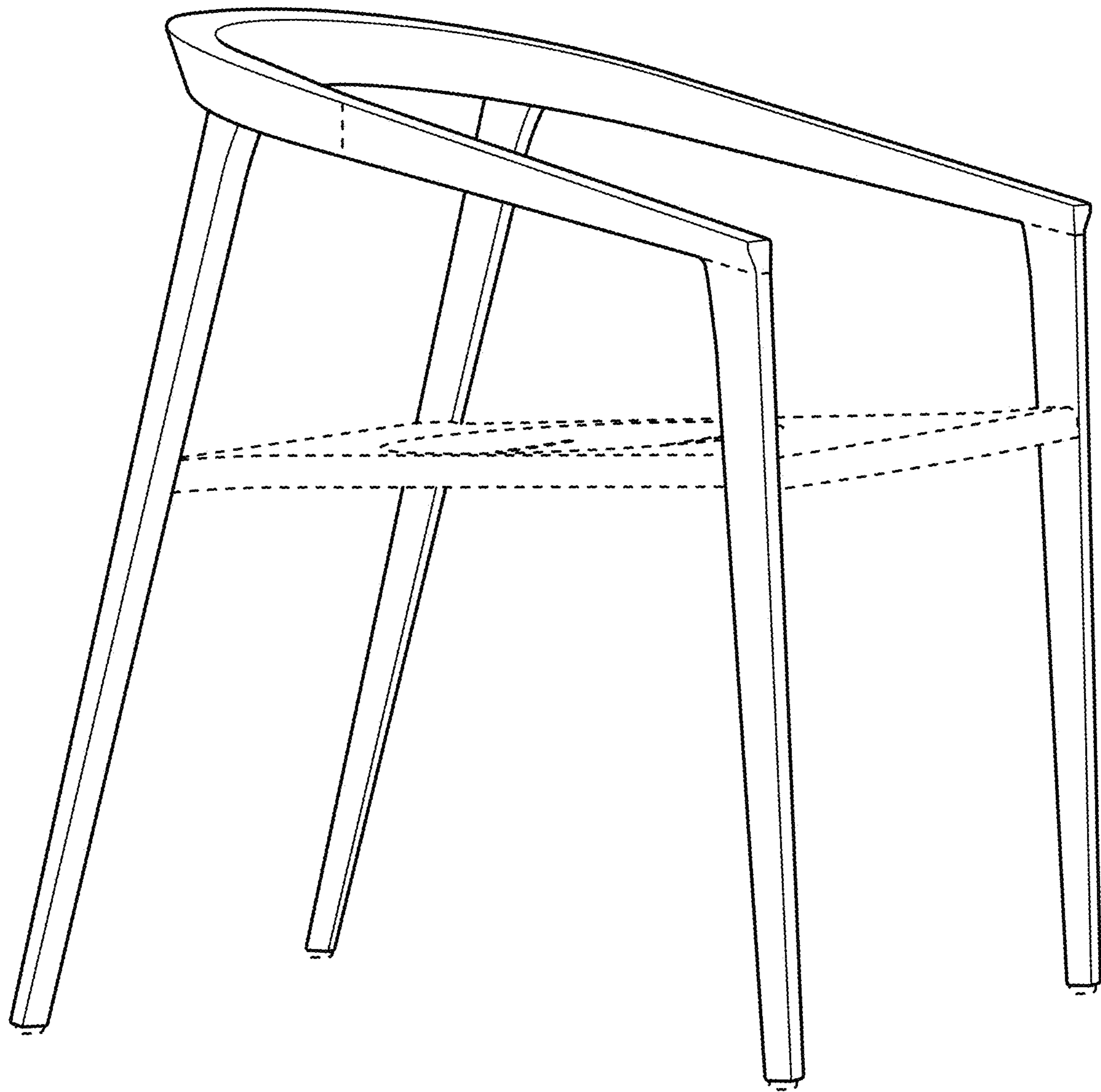
U.S. PATENT DOCUMENTS

|          |   |   |         |                                |        |
|----------|---|---|---------|--------------------------------|--------|
| D474,621 | S | * | 5/2003  | Pesso .....                    | D6/379 |
| D526,137 | S | * | 8/2006  | Rech .....                     | D6/376 |
| D569,643 | S | * | 5/2008  | Camp, Jr. ....                 | D6/370 |
| D640,067 | S | * | 6/2011  | Weimer .....                   | D6/379 |
| D690,953 | S | * | 10/2013 | Alken .....                    | D6/380 |
| D724,859 | S | * | 3/2015  | Young .....                    | D6/379 |
| D774,793 | S | * | 12/2016 | Cazzaniga .....                | D6/369 |
| D816,365 | S | * | 5/2018  | de Oliveira Pires Junior ..... | D6/379 |
| D876,855 | S | * | 3/2020  | Vanderminde .....              | D6/379 |

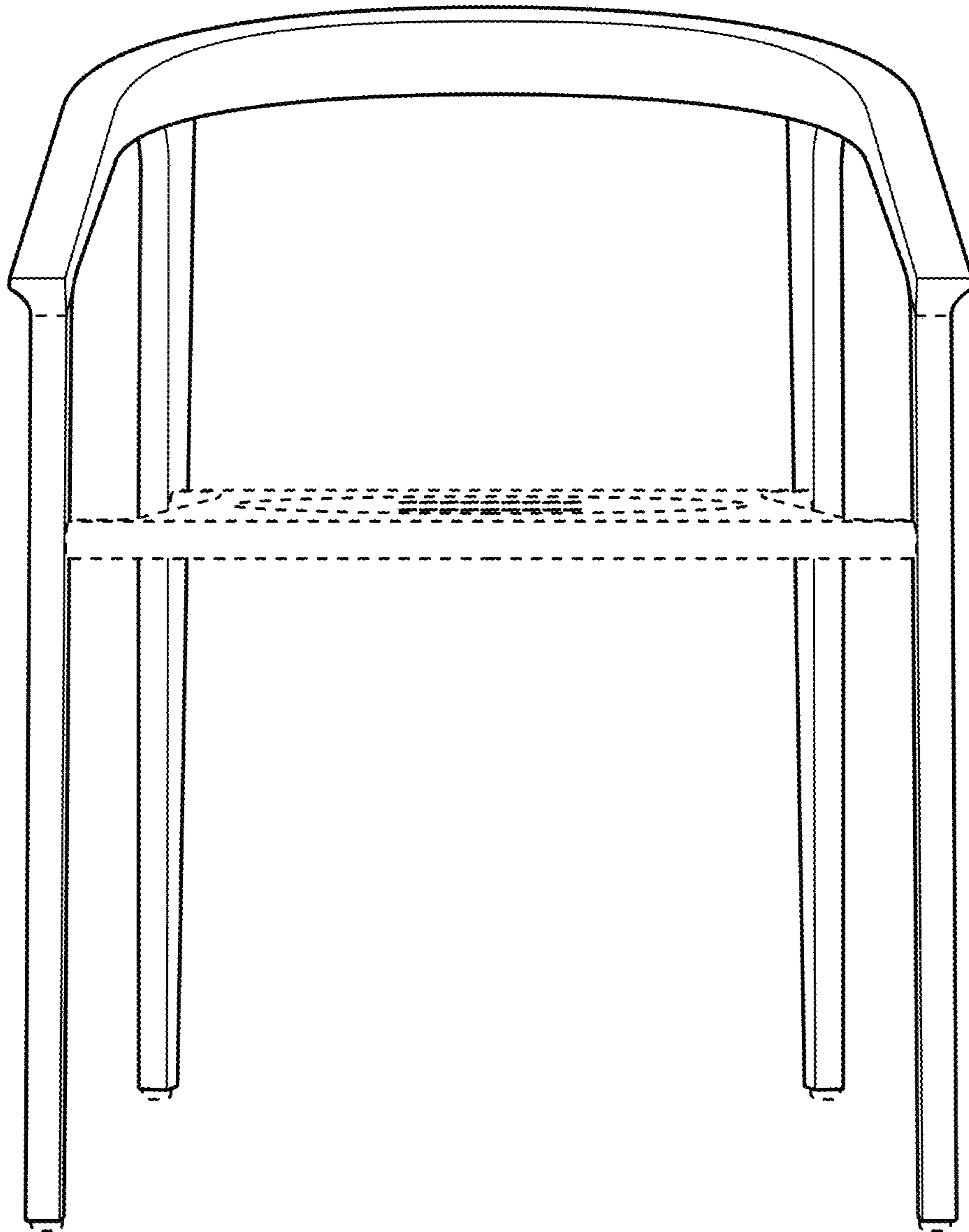
FOREIGN PATENT DOCUMENTS

|    |                |   |         |
|----|----------------|---|---------|
| CN | 305374778      | * | 4/2019  |
| CN | 305629401      | * | 8/2019  |
| CN | 305606101      | * | 9/2019  |
| CN | 305730439      | * | 11/2019 |
| KR | 300625053.0000 | * | 6/2010  |

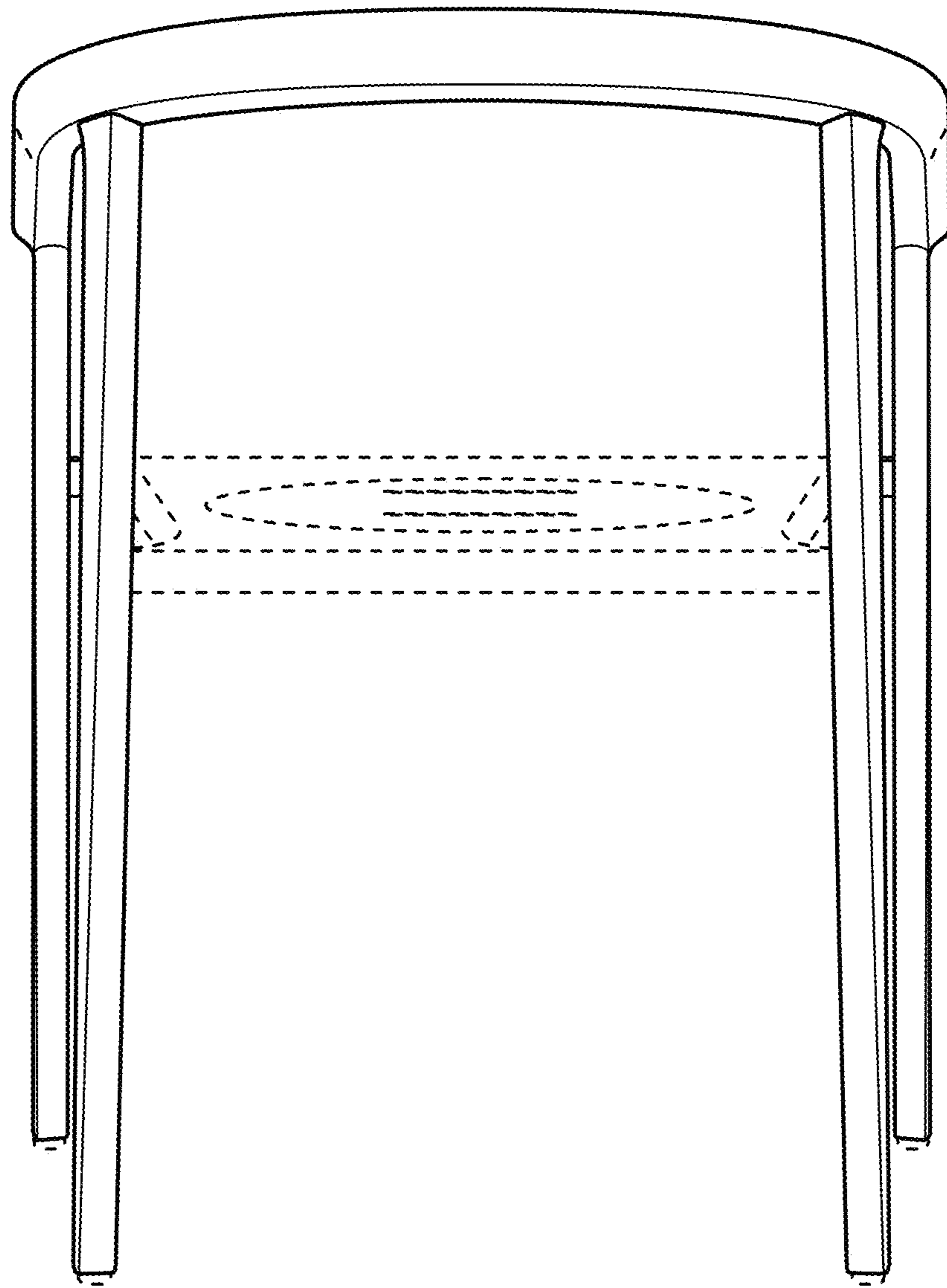
\* cited by examiner



**FIG. 1**



**FIG. 2**



**FIG. 3**

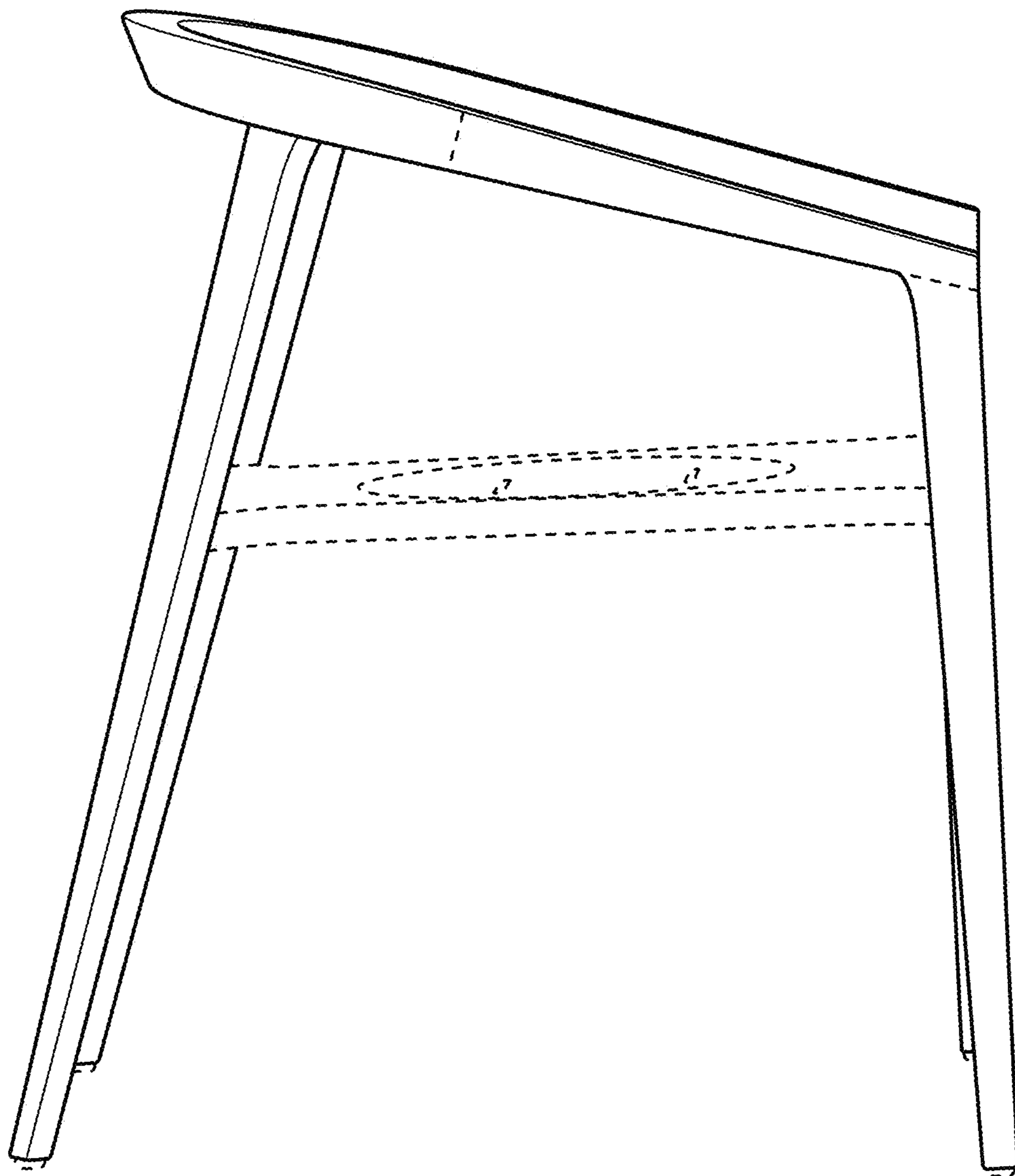
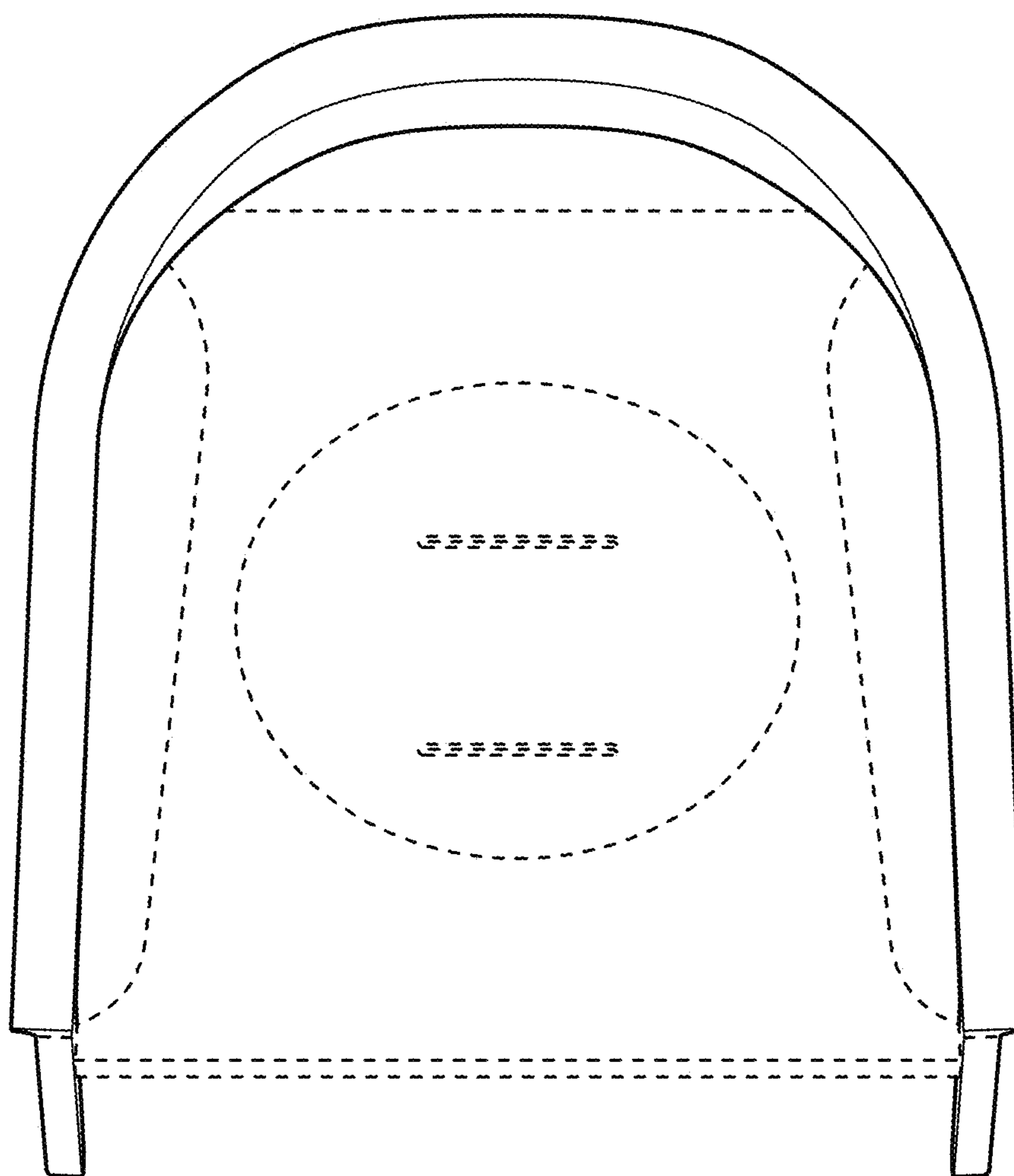
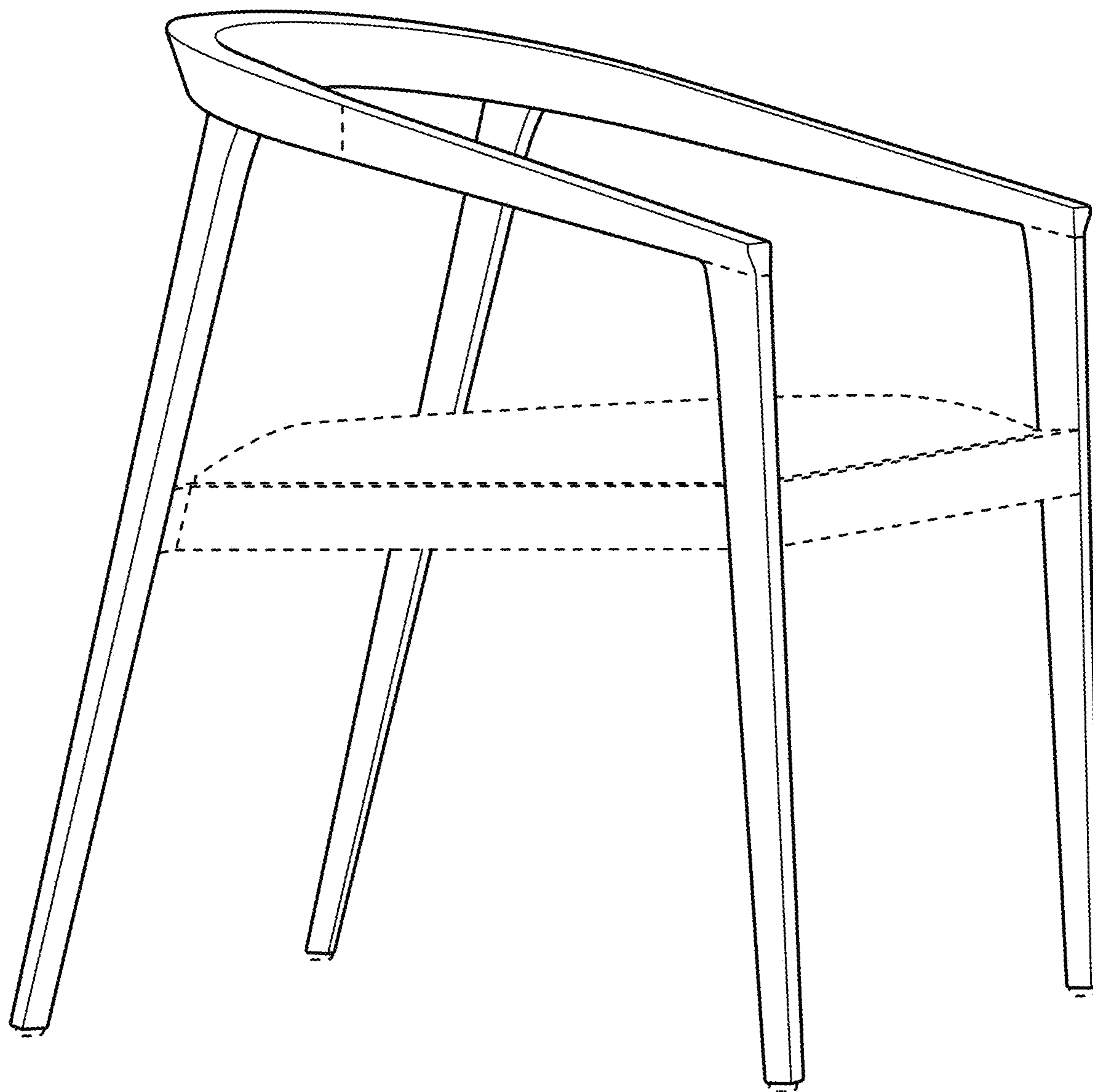


FIG. 4

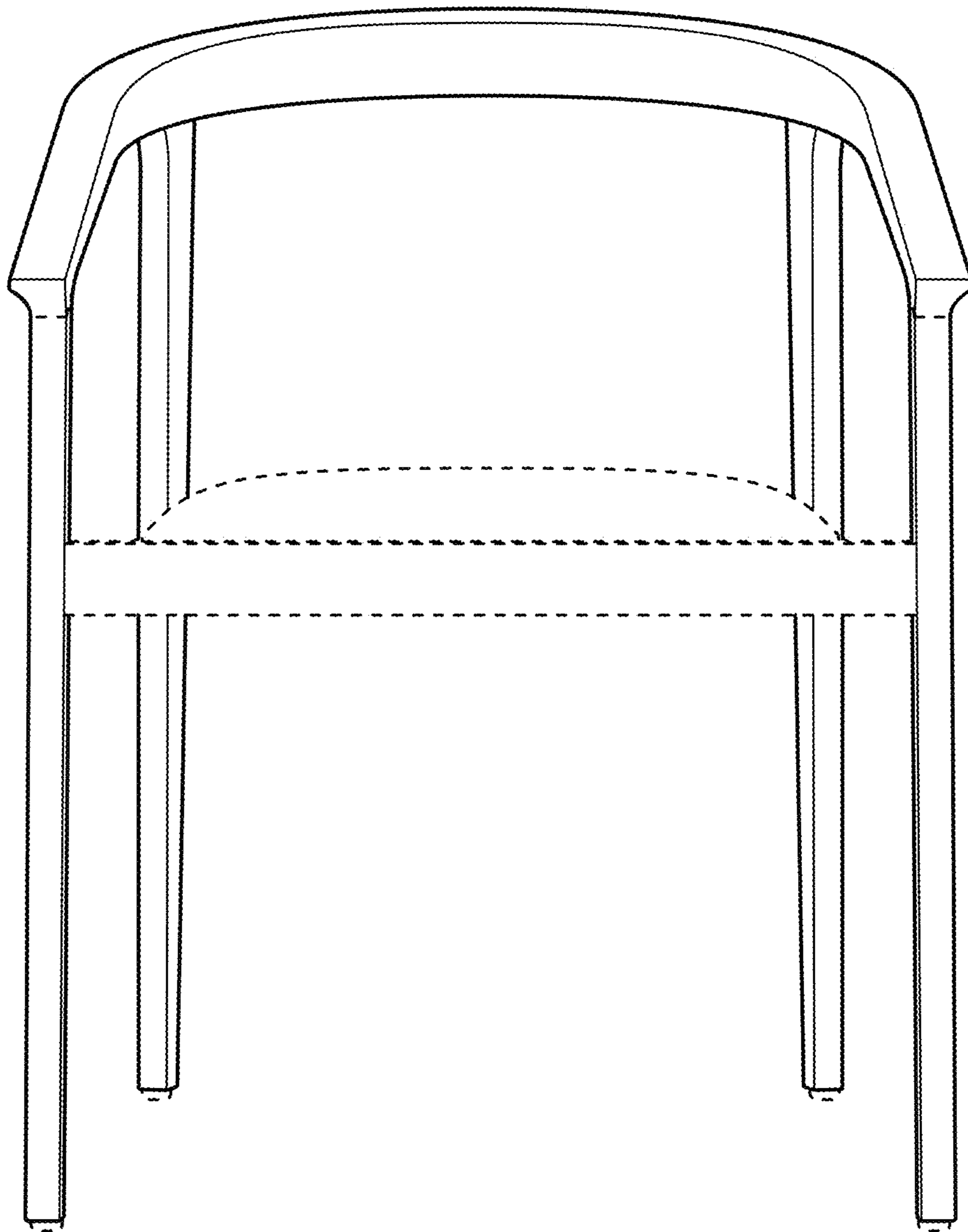


**FIG. 5**

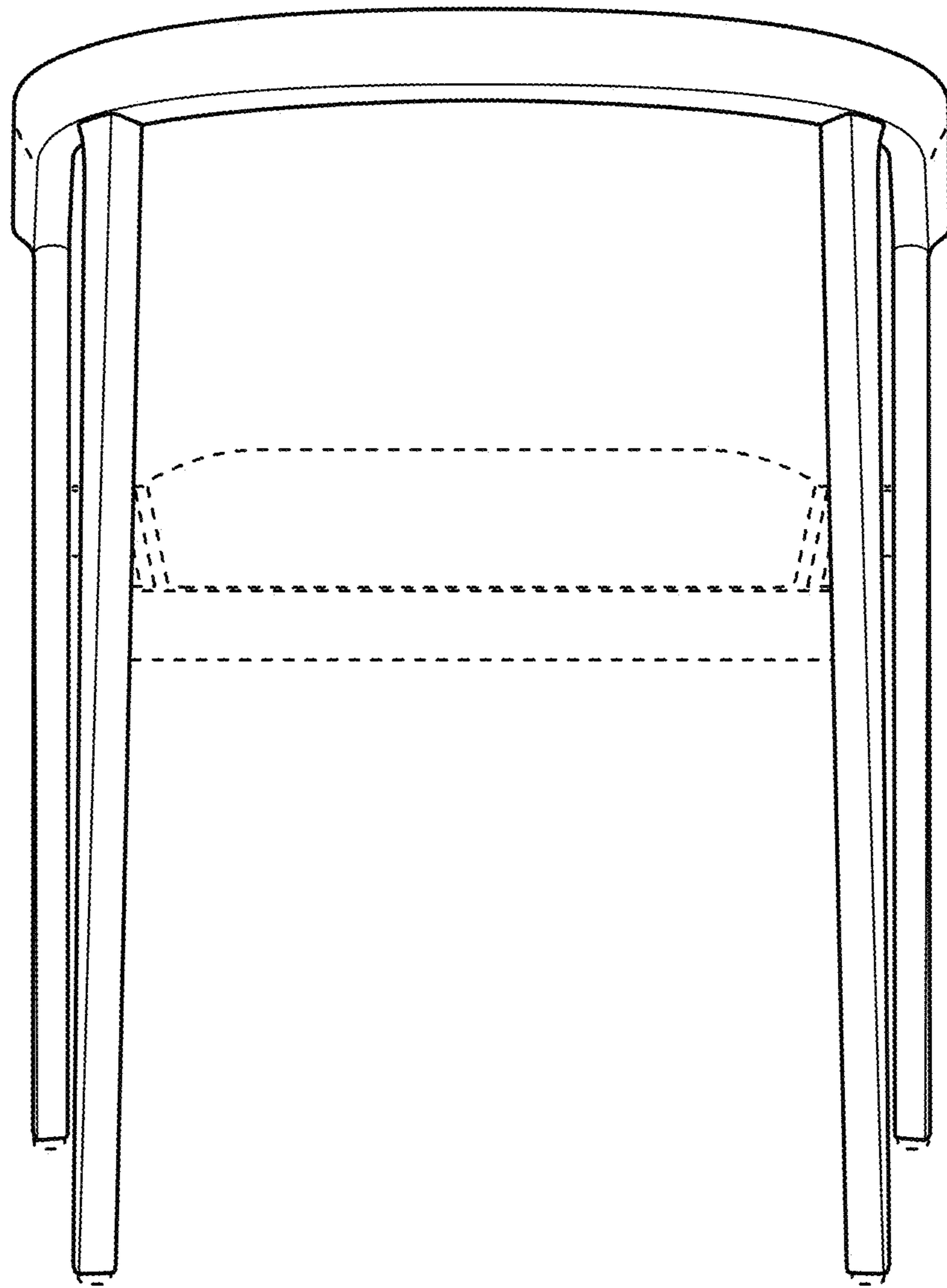


**FIG. 6**

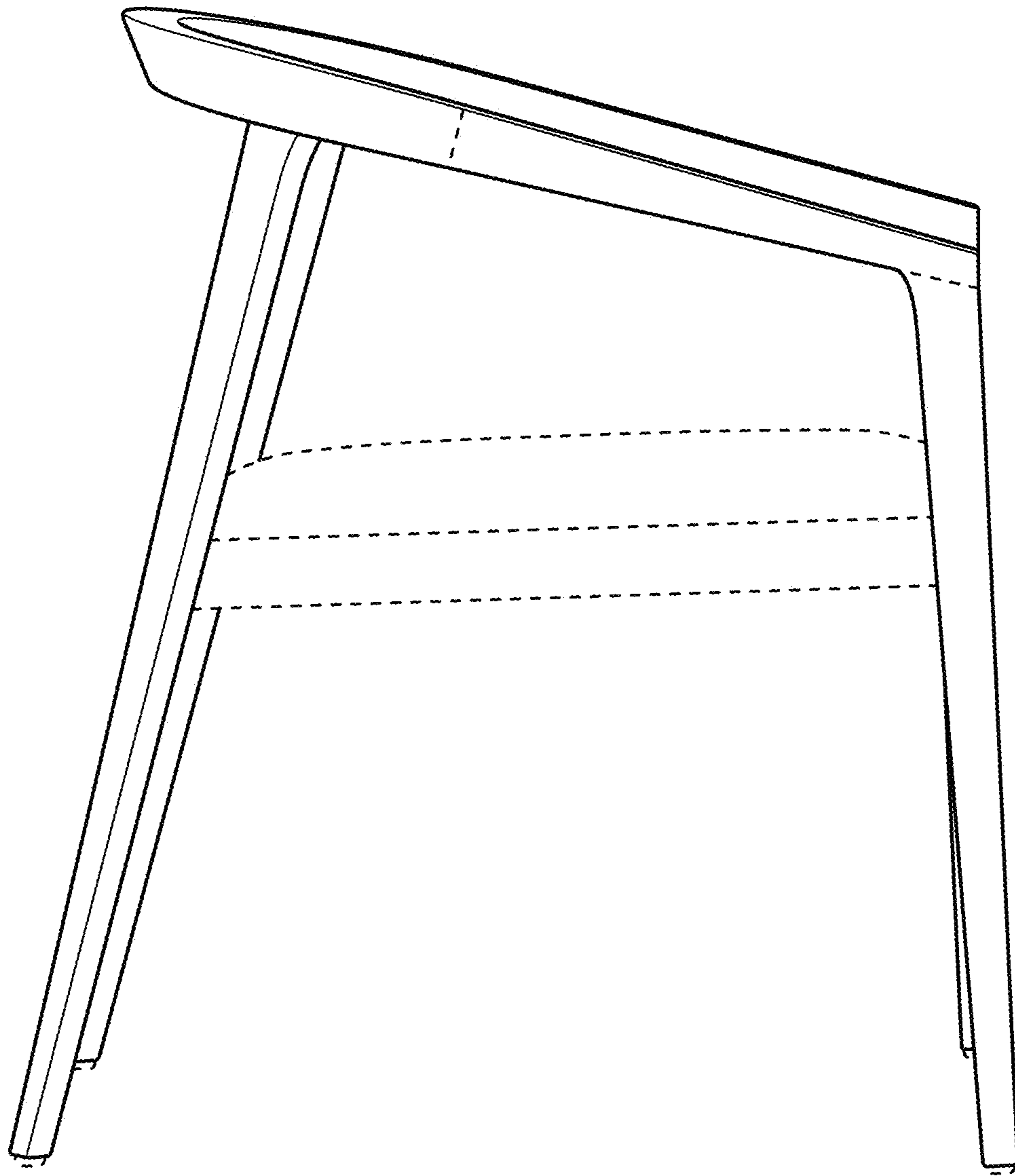




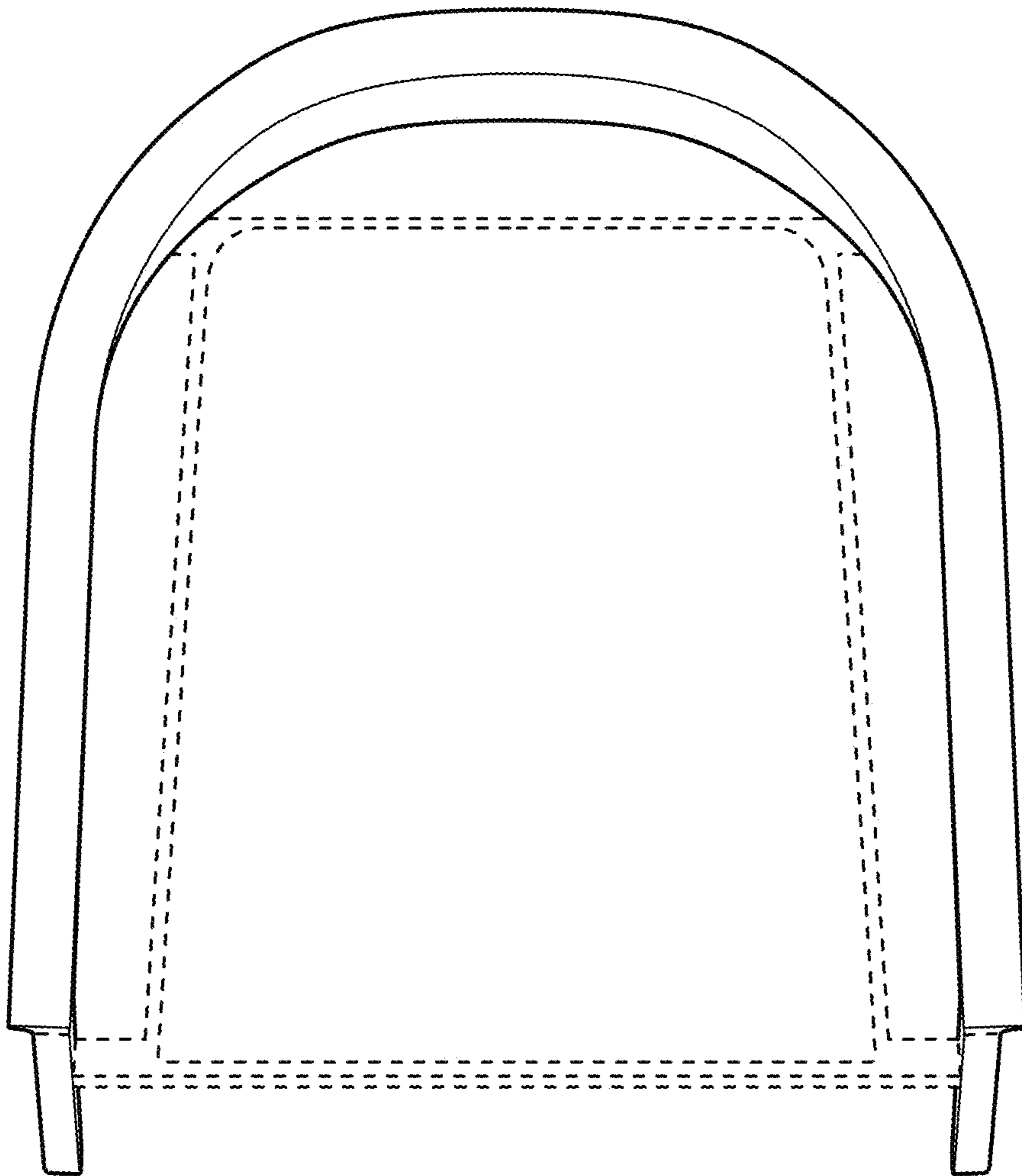
**FIG. 7**



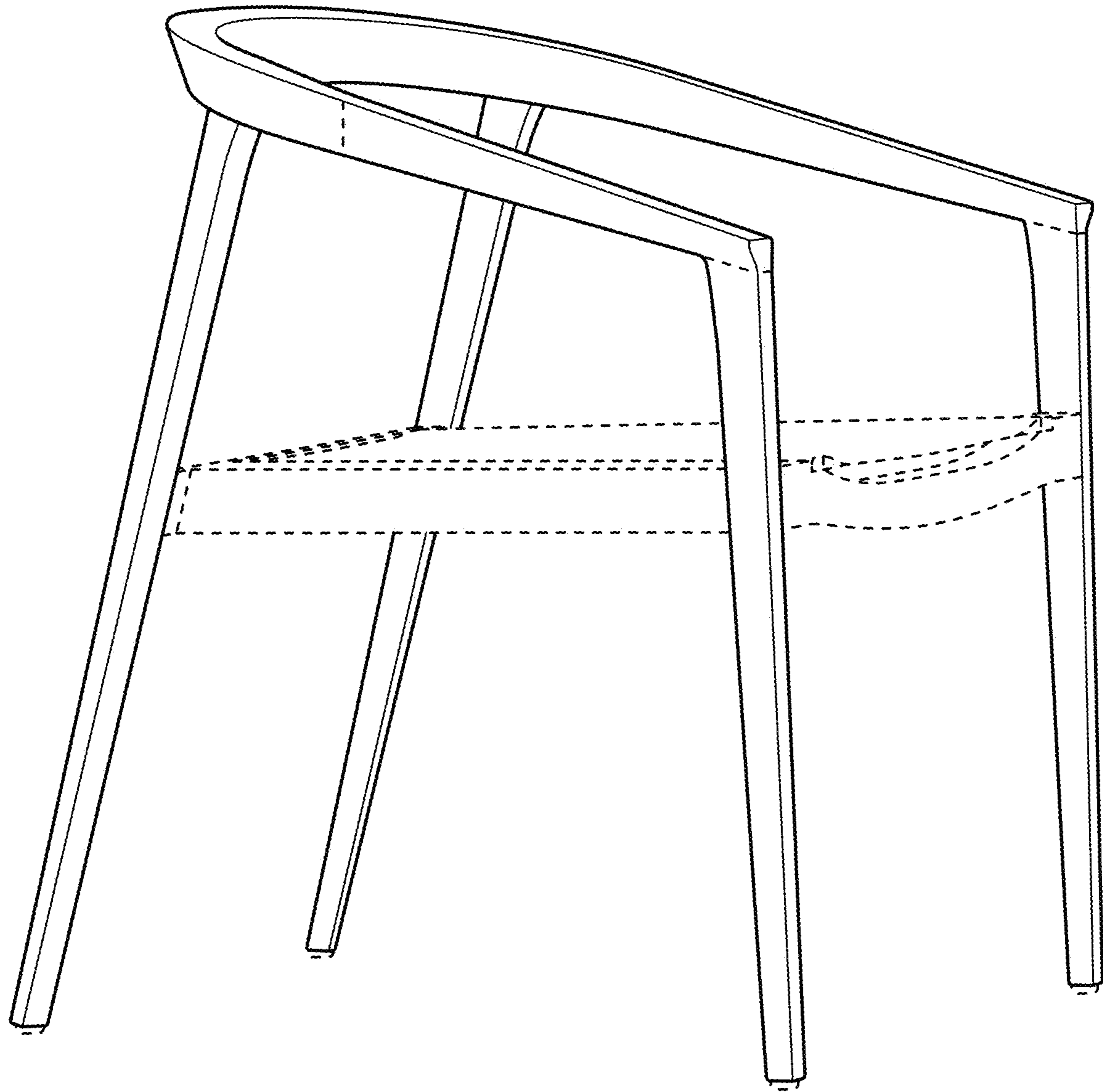
*FIG. 8*



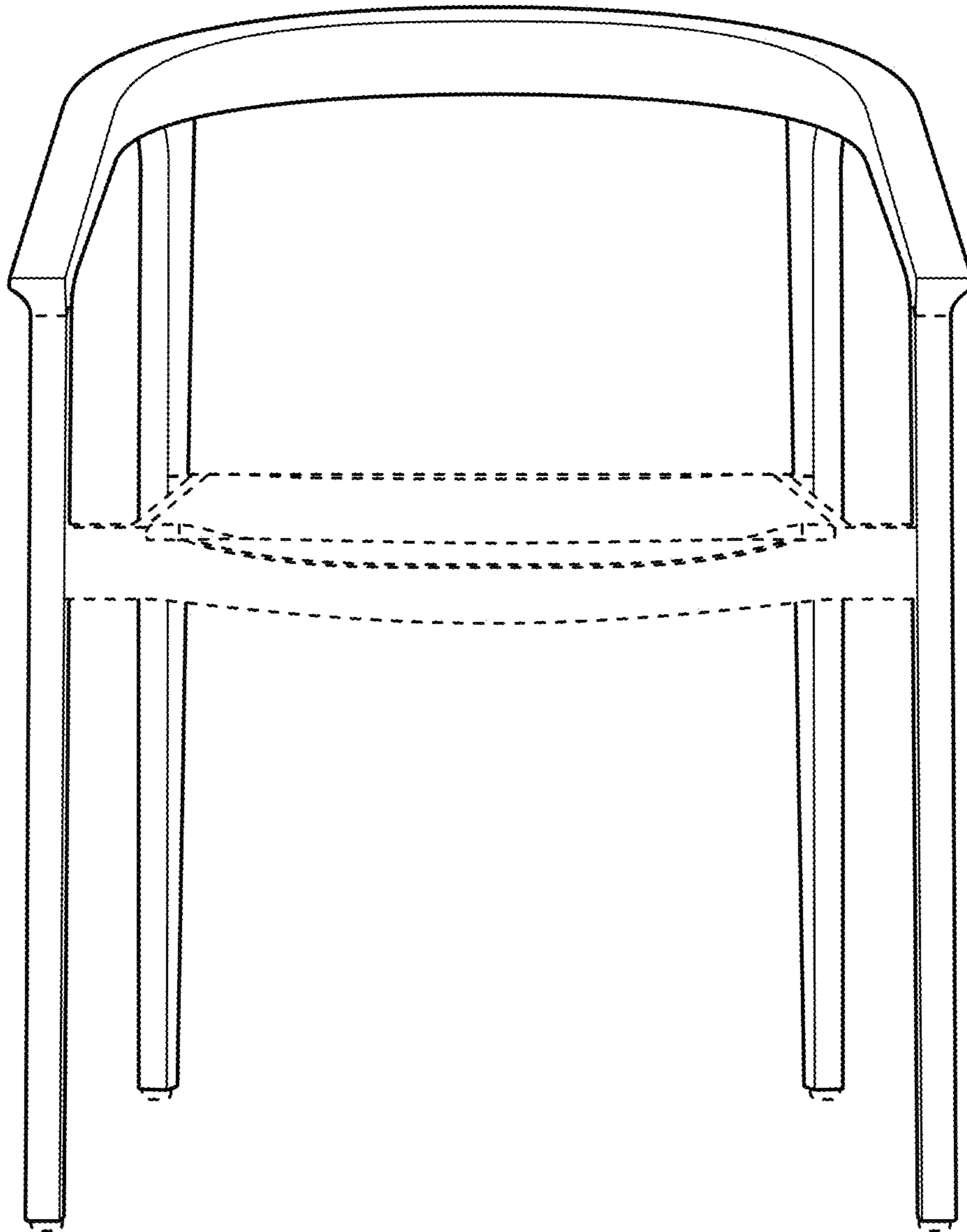
**FIG. 9**



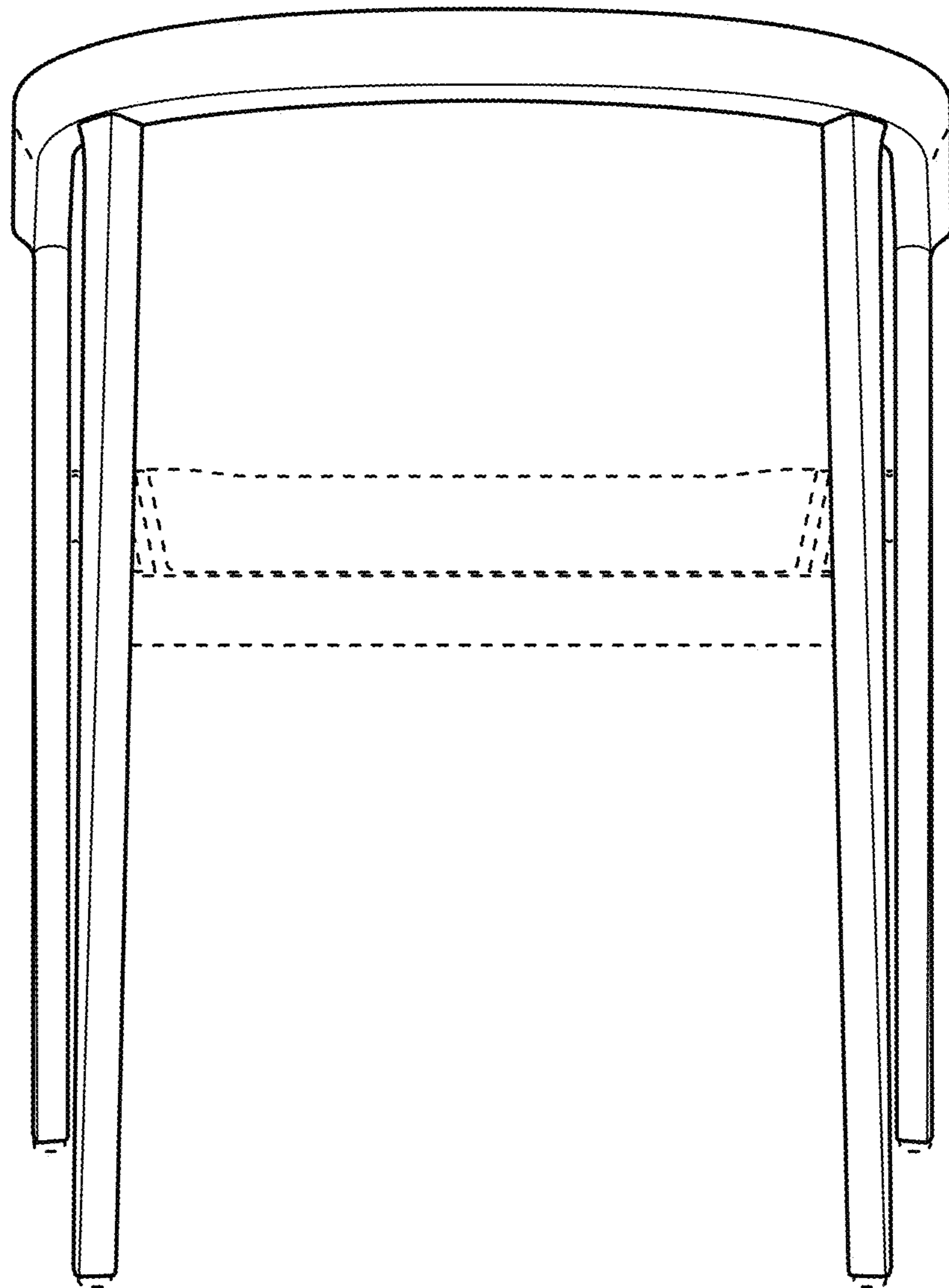
**FIG. 10**



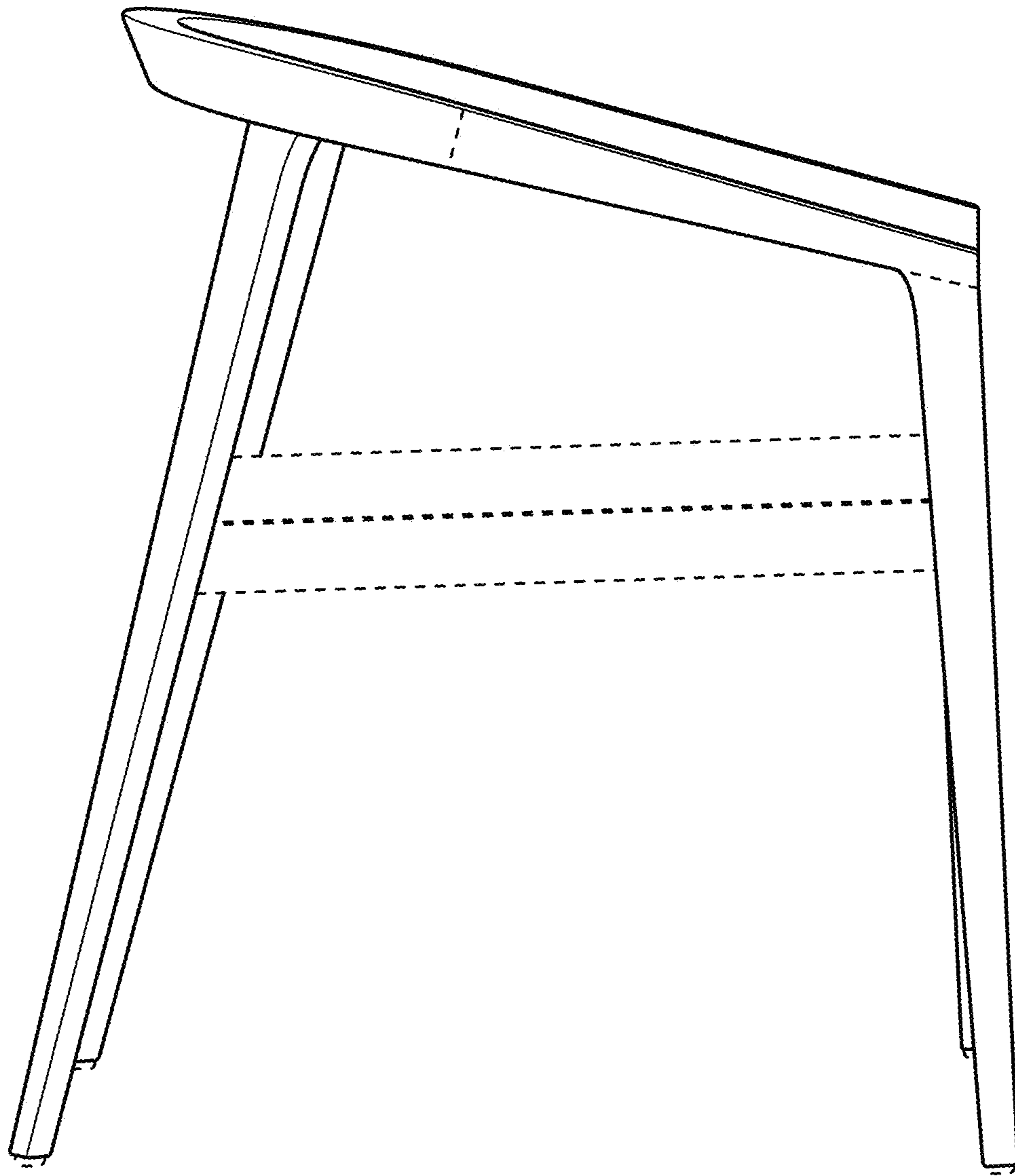
**FIG. 11**



**FIG. 12**

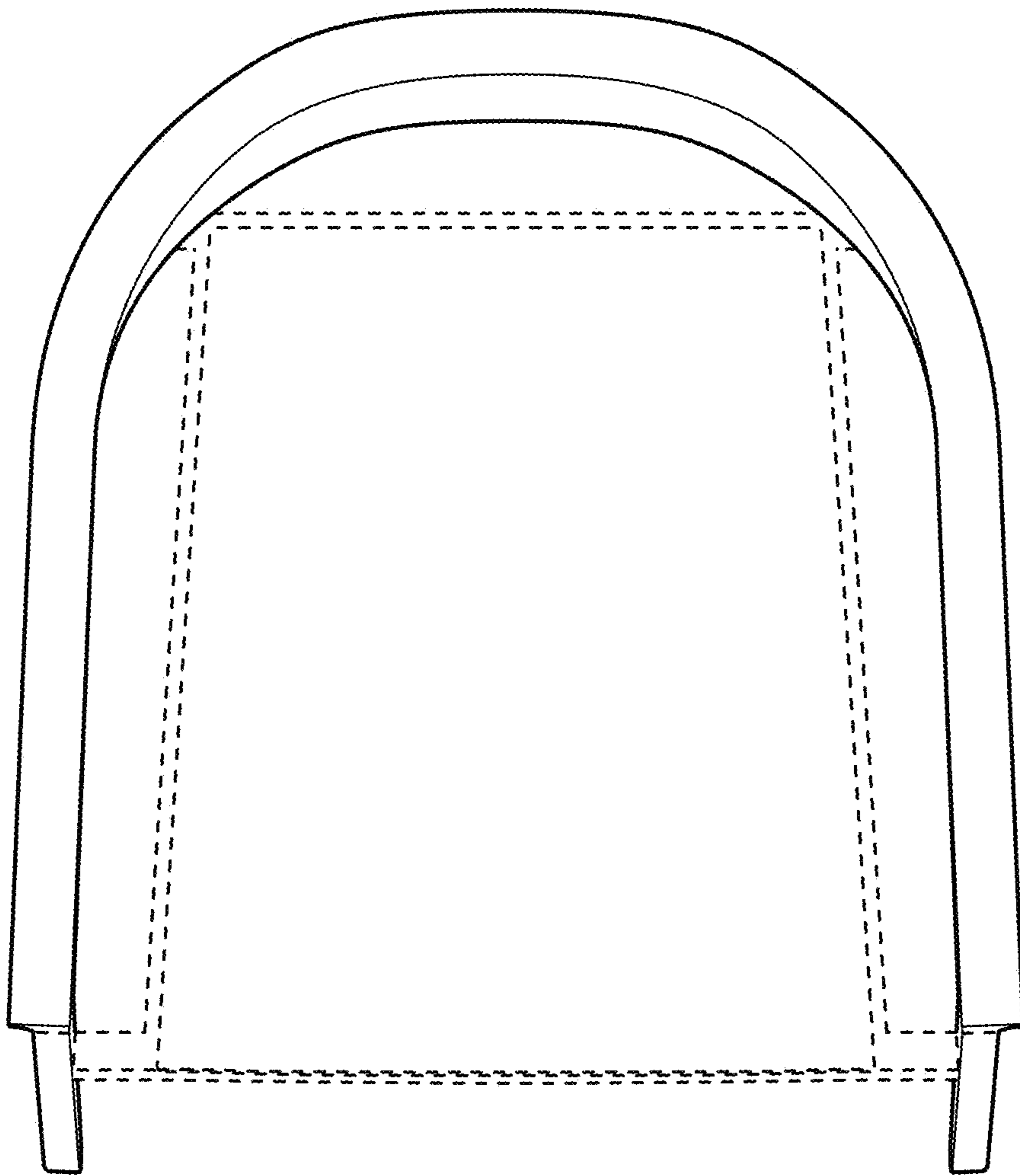


**FIG. 13**



**FIG. 14**





**FIG. 15**

UNITED STATES PATENT AND TRADEMARK OFFICE  
**CERTIFICATE OF CORRECTION**

PATENT NO. : D888,456 S  
APPLICATION NO. : 29/677156  
DATED : June 30, 2020  
INVENTOR(S) : Koopthavonrerk

Page 1 of 1

It is certified that error appears in the above-identified patent and that said Letters Patent is hereby corrected as shown below:

On the Title Page

Please add Item (30) Foreign Application Priority Data:

--"July 18, 2018 (EM) ..... 005506292-0001  
July 18, 2018 (EM) ..... 005506292-0003  
July 18, 2018 (EM) ..... 005506292-0004"--

Signed and Sealed this  
First Day of March, 2022



Drew Hirshfeld  
*Performing the Functions and Duties of the  
Under Secretary of Commerce for Intellectual Property and  
Director of the United States Patent and Trademark Office*