



US00D888454S

(12) **United States Design Patent**  
**Li**

(10) **Patent No.:** **US D888,454 S**  
(45) **Date of Patent:** **\*\* Jun. 30, 2020**

- (54) **SOFA**
- (71) Applicant: **39F USA INC**, Rancho Cucamonga, CA (US)
- (72) Inventor: **Yuehai Li**, Rancho Cucamonga, CA (US)
- (\*\*) Term: **15 Years**
- (21) Appl. No.: **29/693,452**
- (22) Filed: **Jun. 3, 2019**
- (51) **LOC (12) Cl.** ..... **06-01**
- (52) **U.S. Cl.**  
USPC ..... **D6/375**
- (58) **Field of Classification Search**  
USPC ..... D6/334, 349, 369, 374–376, 379–382, D6/711, 708.16, 716, 716.1  
CPC .... A47C 3/04; A47C 3/12; A47C 5/04; A47C 5/12; A47C 5/14; A47C 7/02; A47C 7/16; A47C 7/18; A47C 7/24; A47C 11/00; A47C 15/002; A47C 17/02  
See application file for complete search history.

D284,624 S *	7/1986	Culler	.....	D6/334
D335,779 S *	5/1993	Newhouse	.....	D6/334
D600,466 S *	9/2009	Cramer	.....	D6/381
D643,643 S *	8/2011	Lievore	.....	D6/381
D766,006 S *	9/2016	Lewis	.....	D6/381
D807,066 S *	1/2018	Vance	.....	D6/334
D878,797 S *	3/2020	Killinger	.....	D6/381

\* cited by examiner

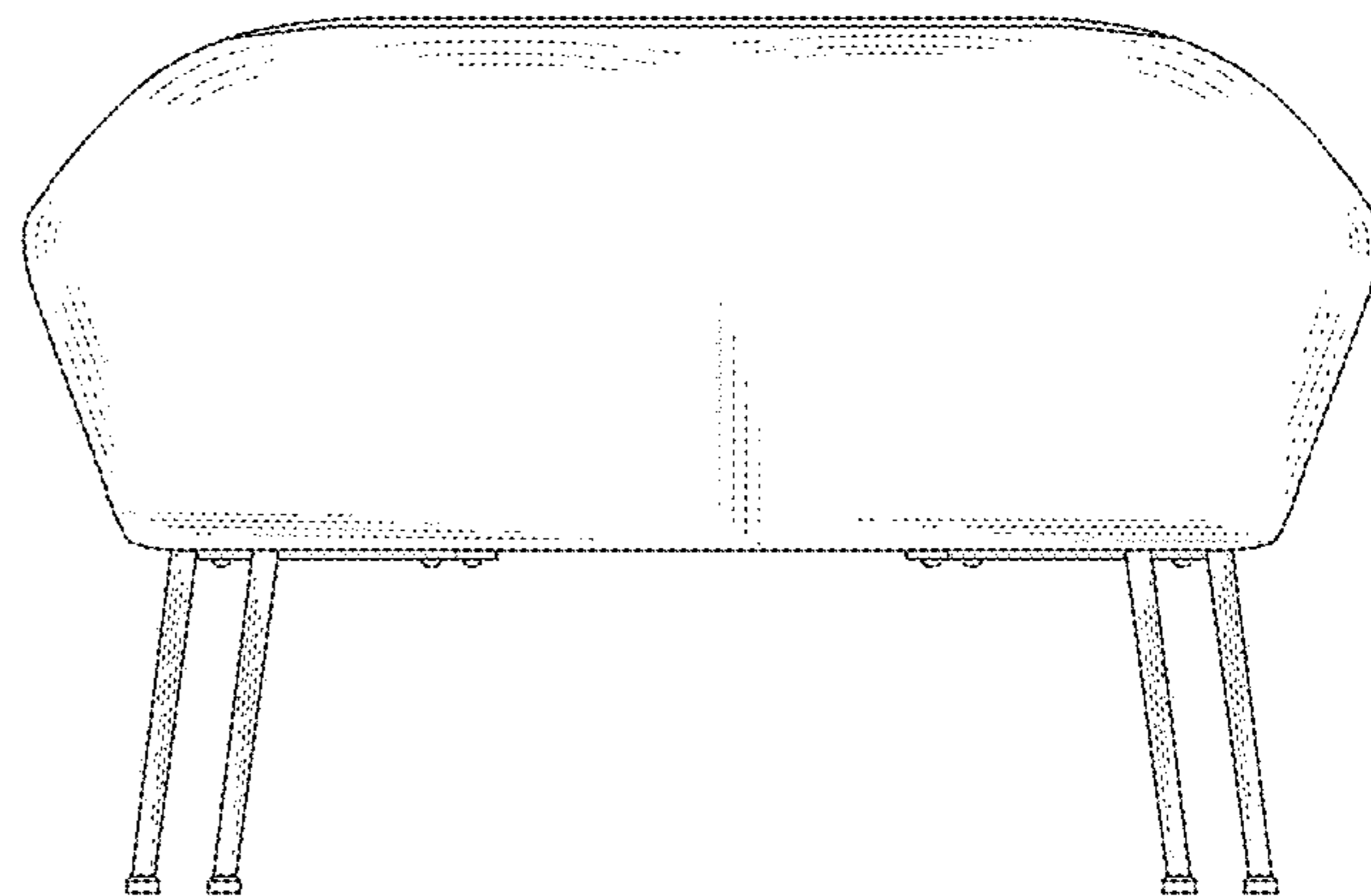
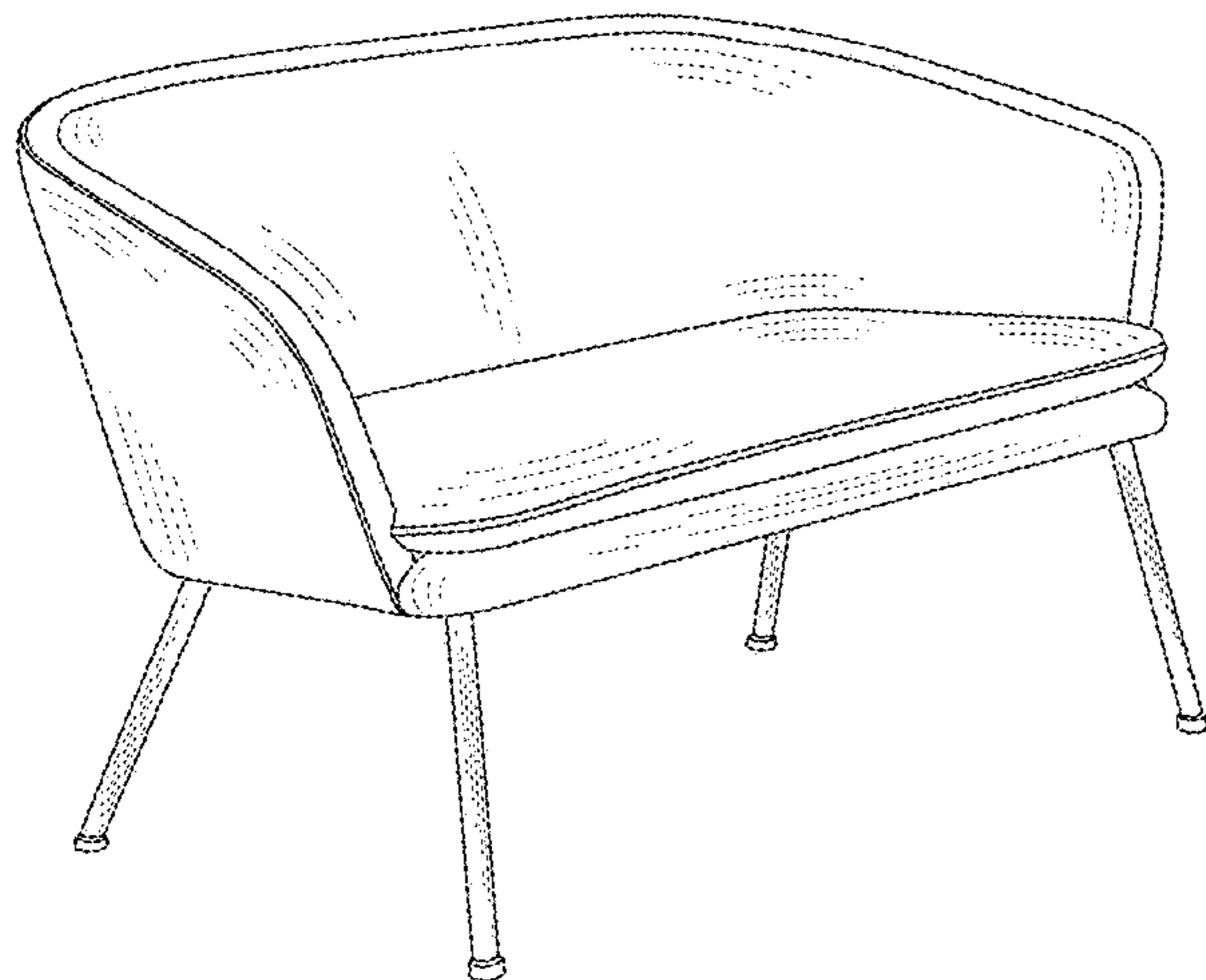
*Primary Examiner* — R. Johnson  
(74) *Attorney, Agent, or Firm* — Feng Qian

- (56) **References Cited**  
U.S. PATENT DOCUMENTS  
2,544,787 A \* 3/1951 Hand ..... A47C 17/02 297/3  
D177,455 S \* 4/1956 Young ..... D6/381

(57) **CLAIM**  
The ornamental design for a sofa, as shown and described.

**DESCRIPTION**  
FIG. 1 is a front perspective view of a sofa showing my new design;  
FIG. 2 is a front elevation view thereof;  
FIG. 3 is a rear elevation view thereof;  
FIG. 4 is a left-side elevation view thereof;  
FIG. 5 is a right-side elevation view thereof;  
FIG. 6 is a top plan view thereof; and,  
FIG. 7 is a bottom plan view thereof.

**1 Claim, 7 Drawing Sheets**



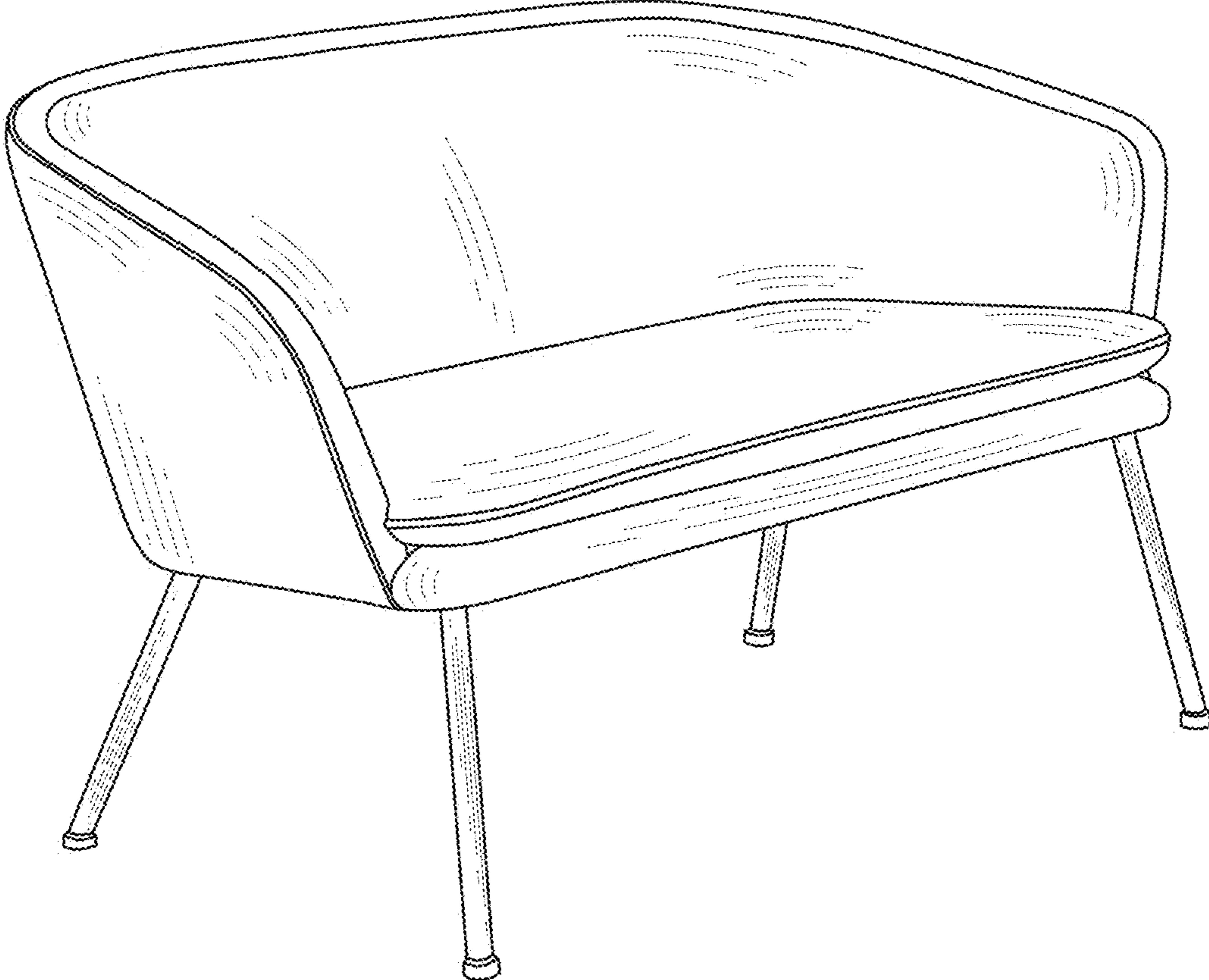


Fig.1

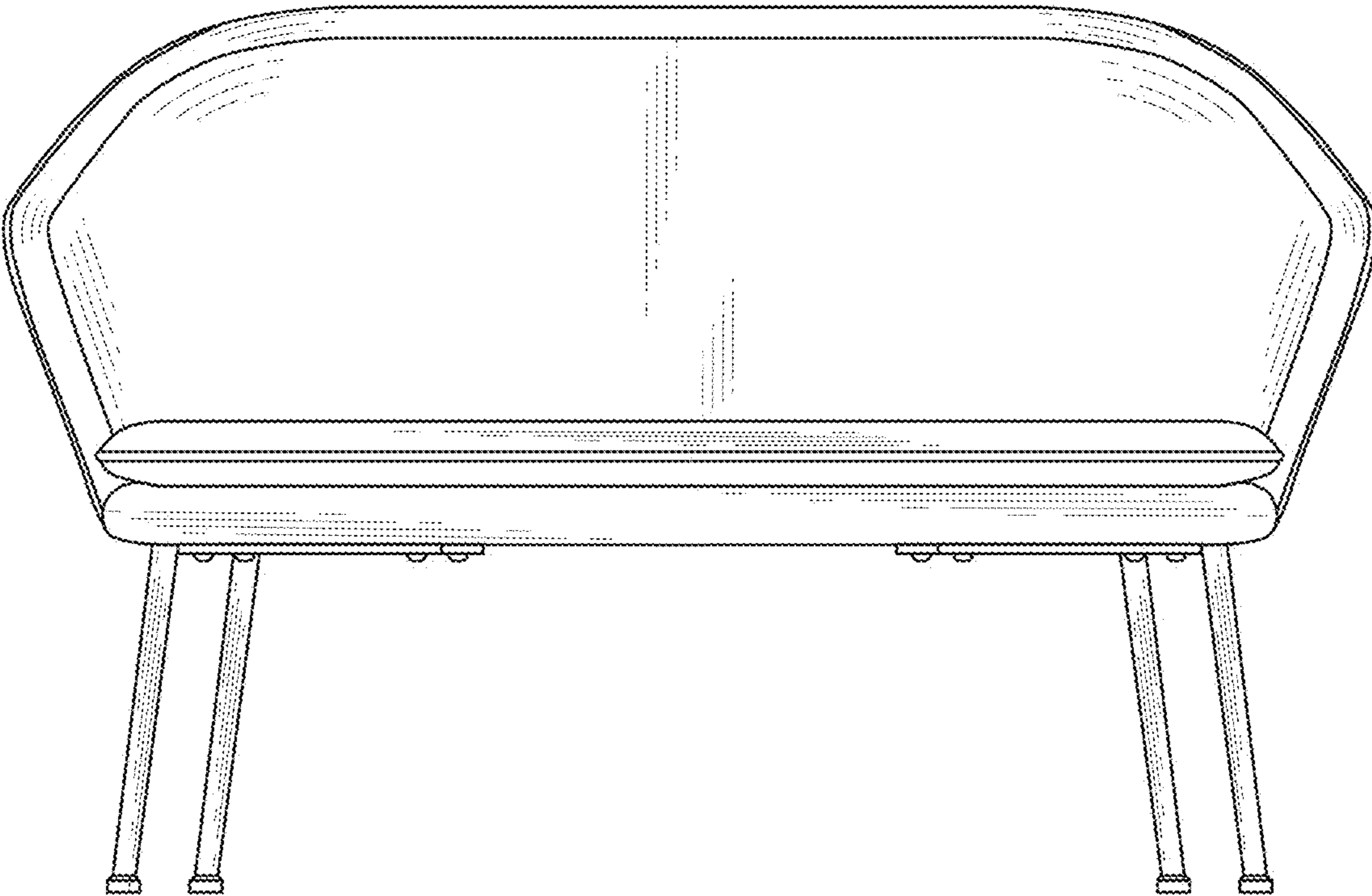


Fig.2

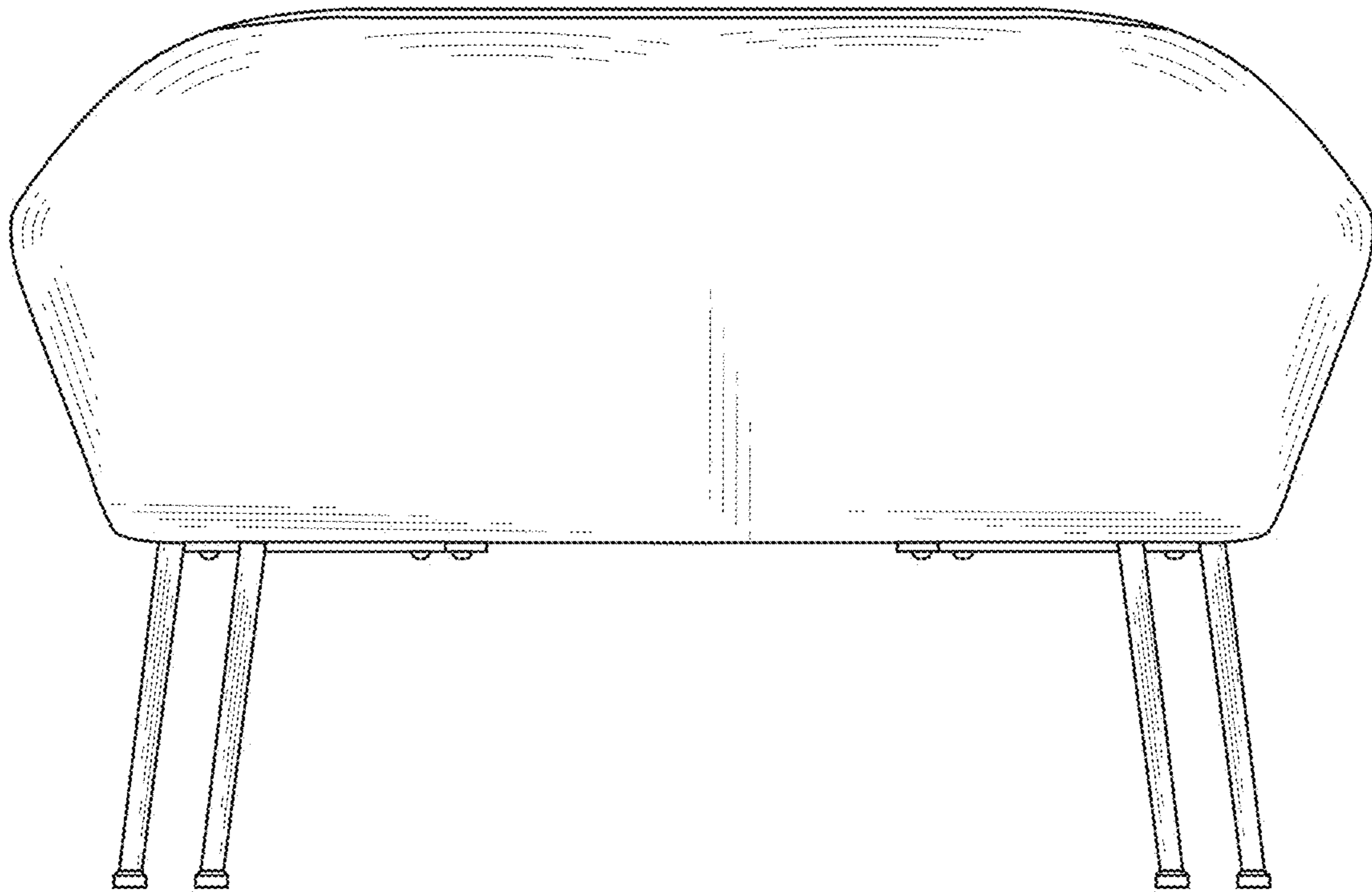


Fig.3

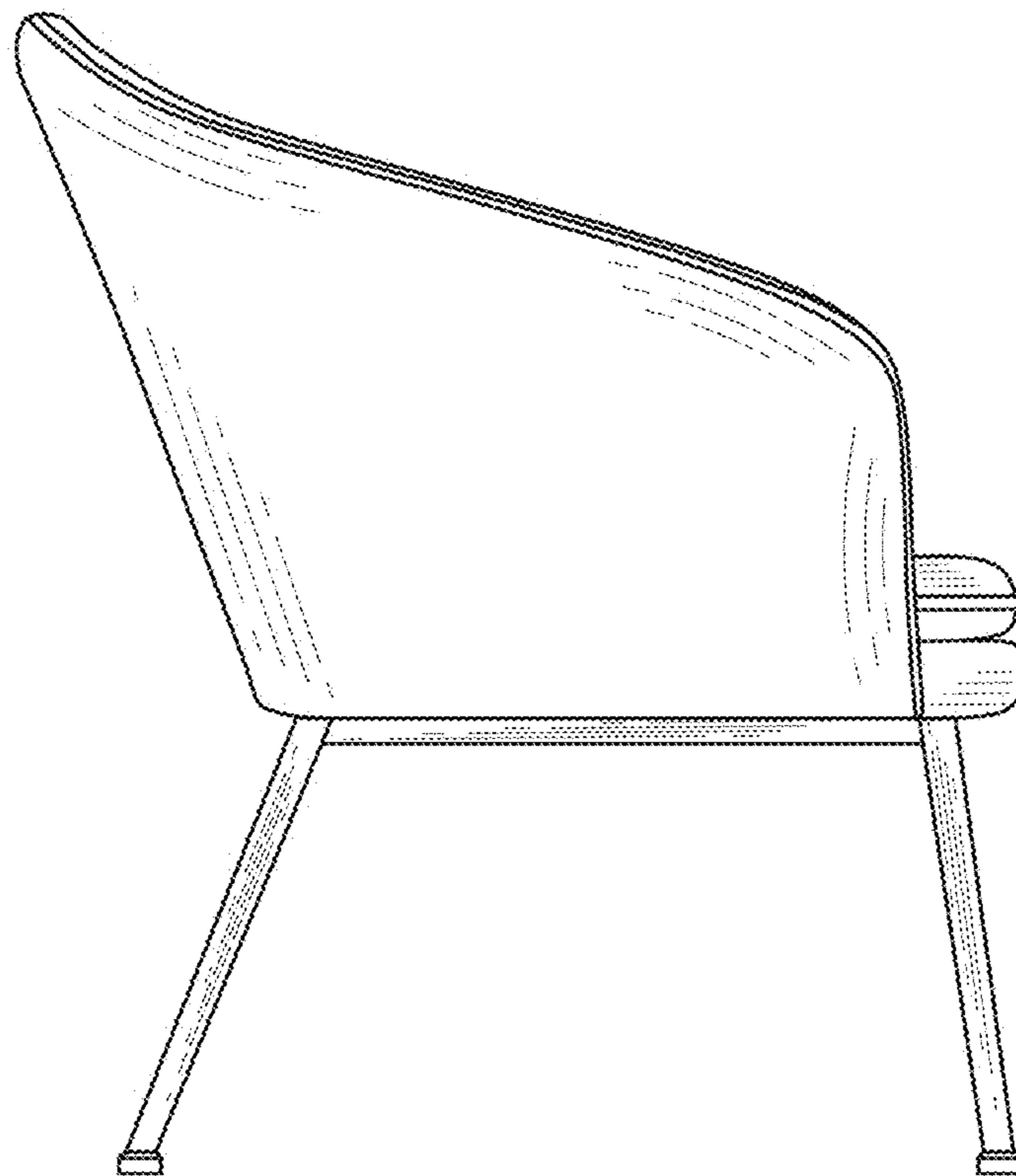


Fig.4

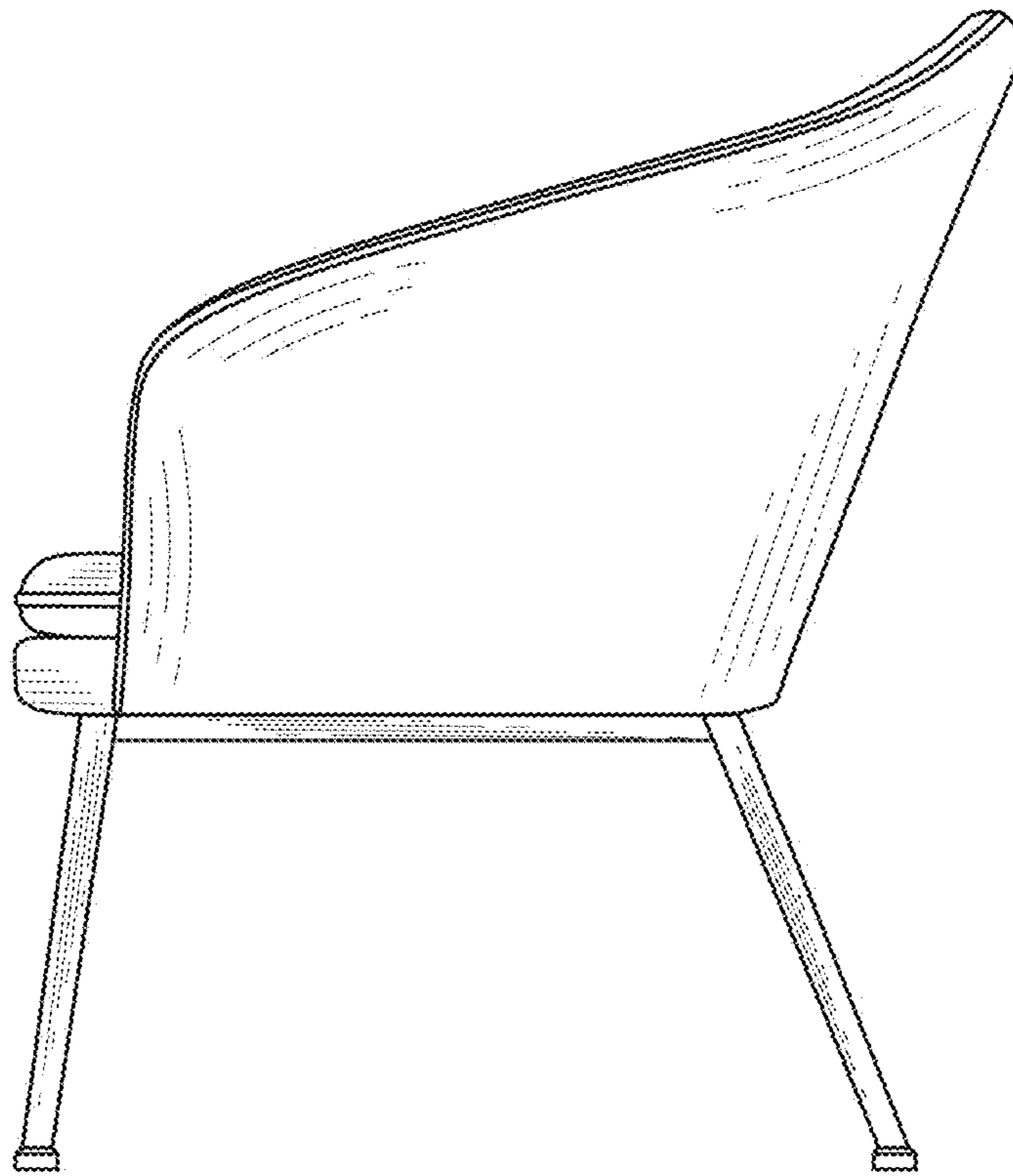


Fig.5

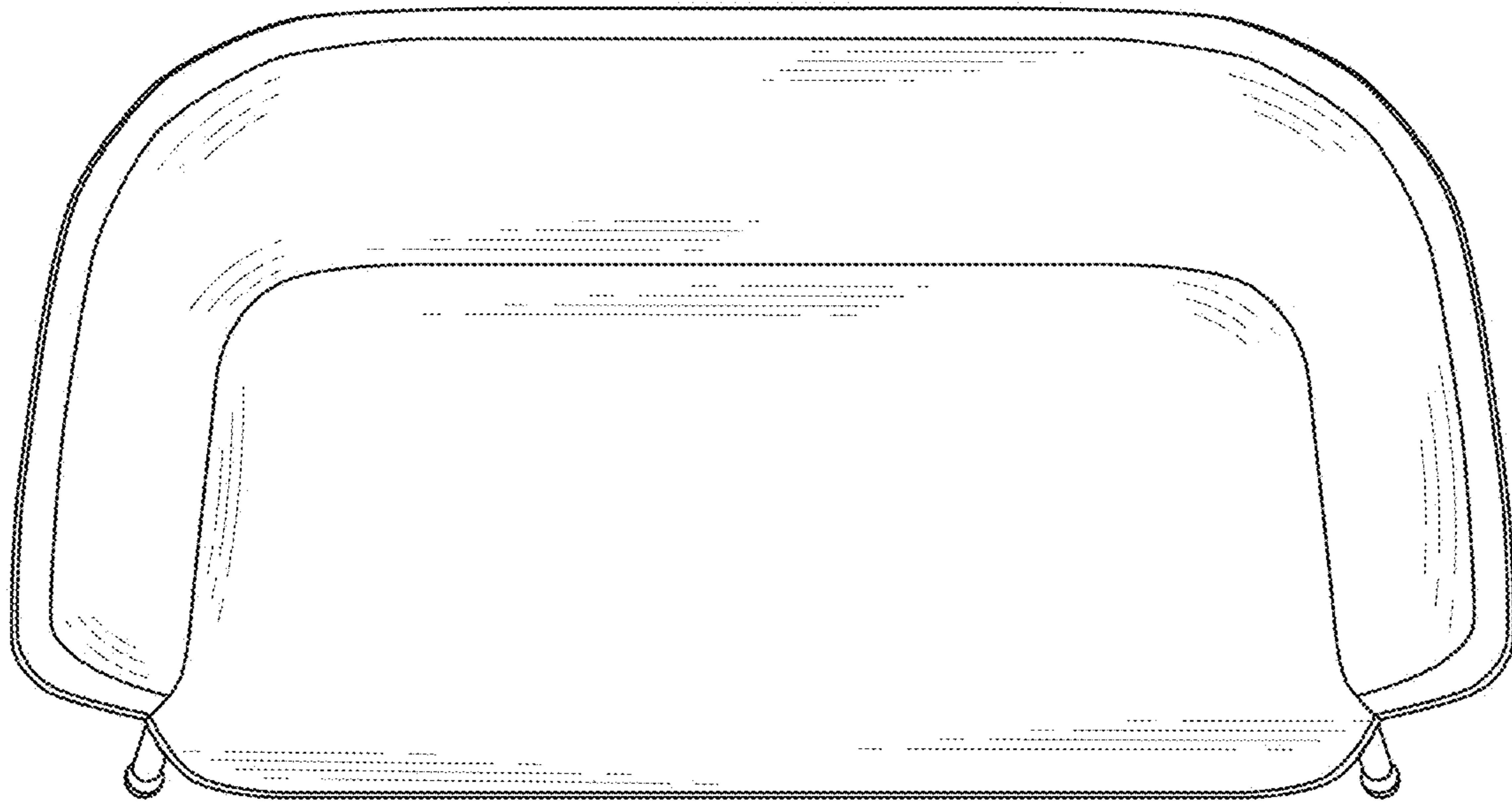


Fig.6

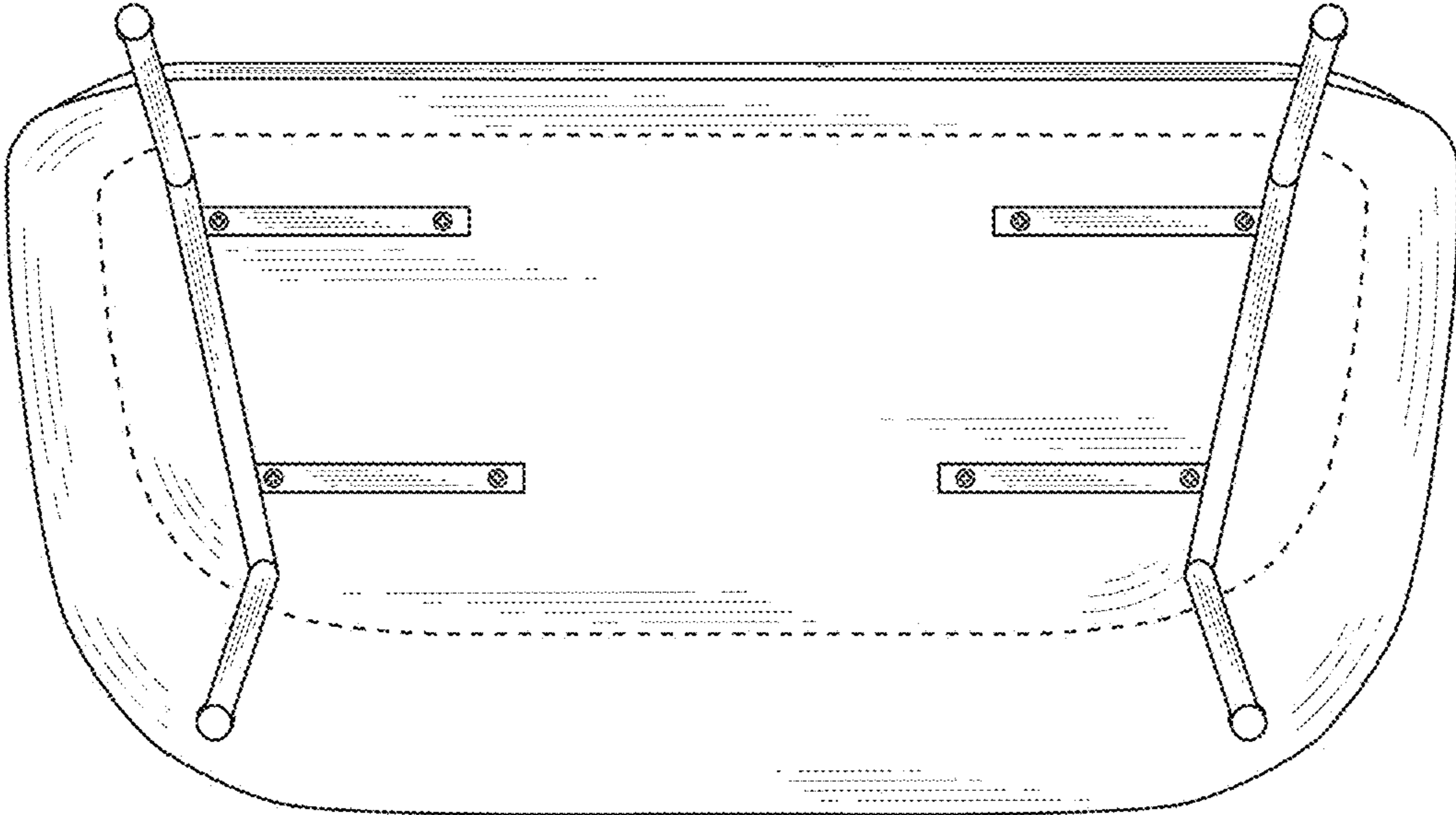


Fig.7