



US00D888449S

(12) **United States Design Patent**
Magnusson

(10) **Patent No.:** **US D888,449 S**

(45) **Date of Patent:** **** Jun. 30, 2020**

(54) **CHAIR**

(71) Applicant: **ALLSEATING CORPORATION**,
Mississauga (CA)

(72) Inventor: **Carl Gustav Magnusson**, New York,
NY (US)

(73) Assignee: **Allseating Corporation**, Mississauga,
ON

(**) Term: **15 Years**

(21) Appl. No.: **29/694,593**

(22) Filed: **Jun. 12, 2019**

(51) **LOC (12) Cl.** **06-01**

(52) **U.S. Cl.**
USPC **D6/366**

(58) **Field of Classification Search**
USPC D6/334, 344, 348, 364, 366, 369, 370,
D6/371, 373, 381, 708, 716; D21/521,
D21/695

CPC A47C 3/029; A47C 3/027; A47C 3/02;
A47C 3/04; A47C 3/12; A47C 4/03;
A47C 4/04; A47C 5/12; A47C 7/18;
A47D 13/10; Y10S 297/01

See application file for complete search history.

(56) **References Cited**

U.S. PATENT DOCUMENTS

D414,950 S * 10/1999 James D6/366
D603,177 S * 11/2009 Kubryk D6/366
D645,672 S * 9/2011 Lievore D6/366
D660,055 S * 5/2012 Kane D6/716

D664,381 S * 7/2012 Kubryk D6/366
D683,570 S * 6/2013 Kubryk D6/366
D751,846 S * 3/2016 Schweikarth D6/364
D758,750 S * 6/2016 Lievore D6/366
D759,397 S * 6/2016 Wu D6/366
D762,407 S * 8/2016 Kubryk D6/716
D794,370 S * 8/2017 Swy D6/366
D817,056 S * 5/2018 Neil D6/716
D849,434 S * 5/2019 Hale D6/364
D859,867 S * 9/2019 Young D6/366
D860,668 S * 9/2019 Magnusson D6/366
D874,167 S * 2/2020 Tian D6/334

* cited by examiner

Primary Examiner — Kevin K Rudzinski

Assistant Examiner — Paul D Bohannon

(74) *Attorney, Agent, or Firm* — Lorelei G. Graham

(57) **CLAIM**

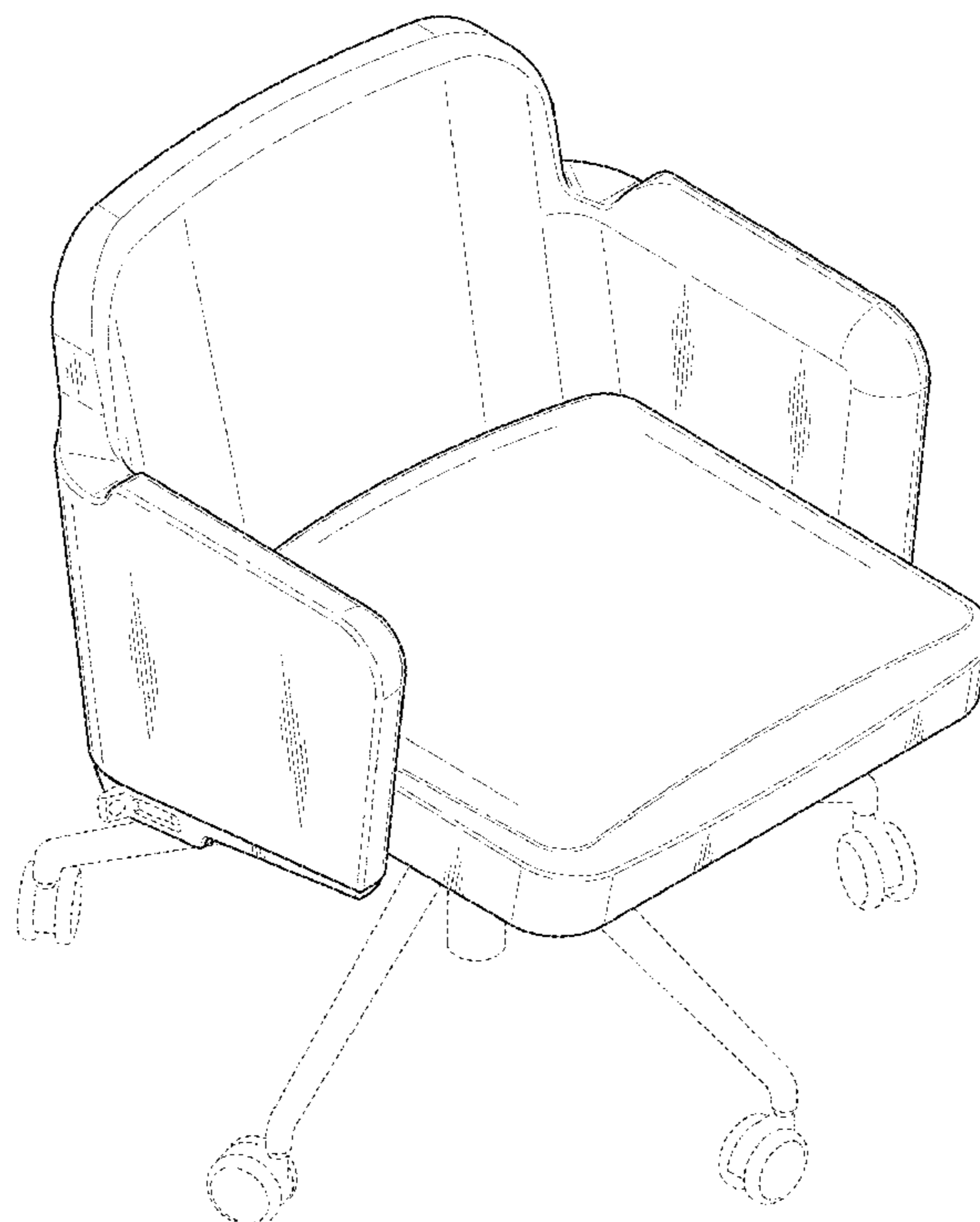
The ornamental design for the chair, as shown and described.

DESCRIPTION

FIG. 1 is a front perspective view of the chair.
FIG. 2 is a bottom perspective view of the chair.
FIG. 3 is a front view of the chair.
FIG. 4 is a back view of the chair.
FIG. 5 is a right side view of the chair.
FIG. 6 is a left side view of the chair.
FIG. 7 is a top view of the chair; and,
FIG. 8 is a bottom view of the chair.

The broken lines shown in the drawings are for the purpose of illustrating portions of the article that form no part of the claim design.

1 Claim, 8 Drawing Sheets



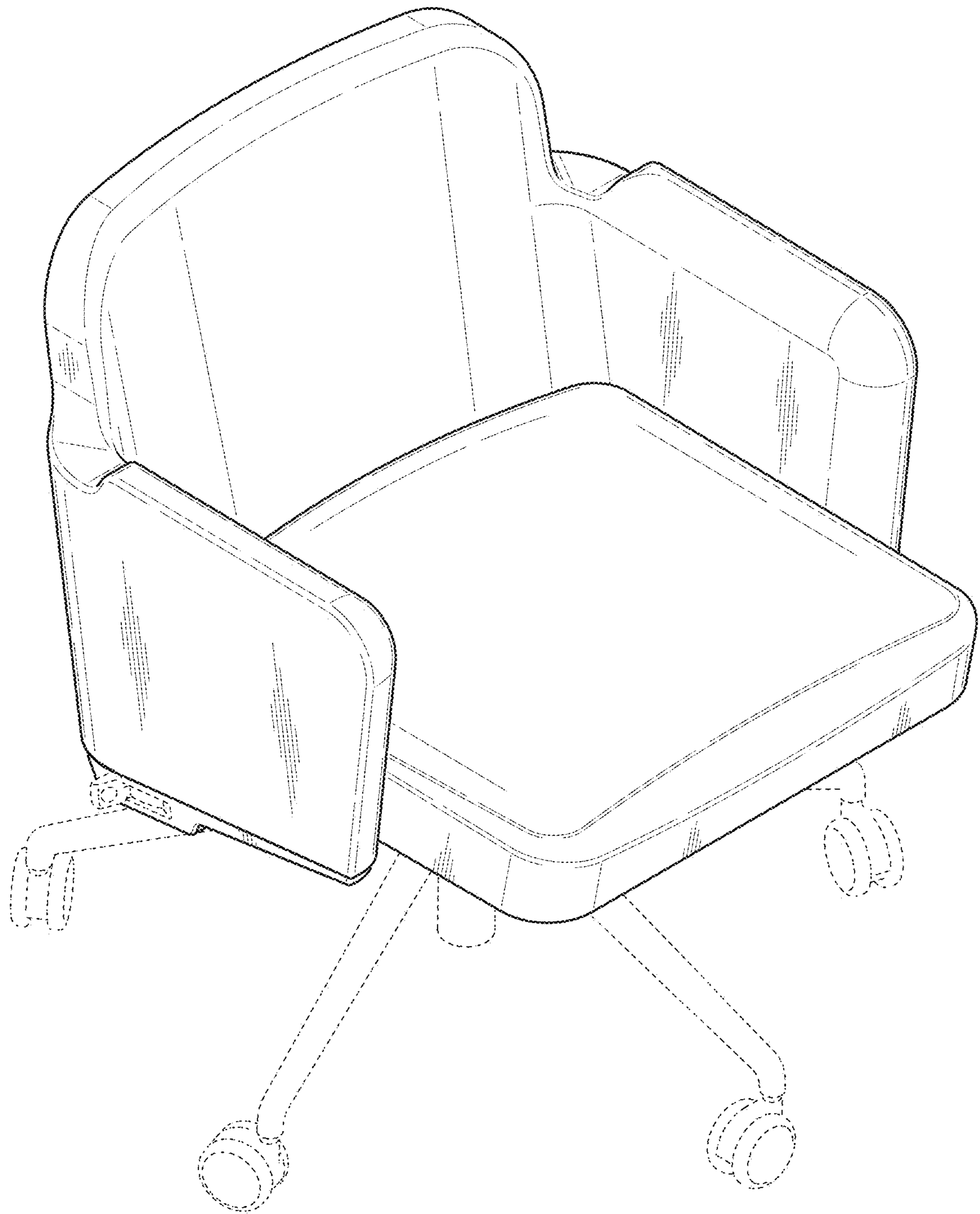


FIG. 1

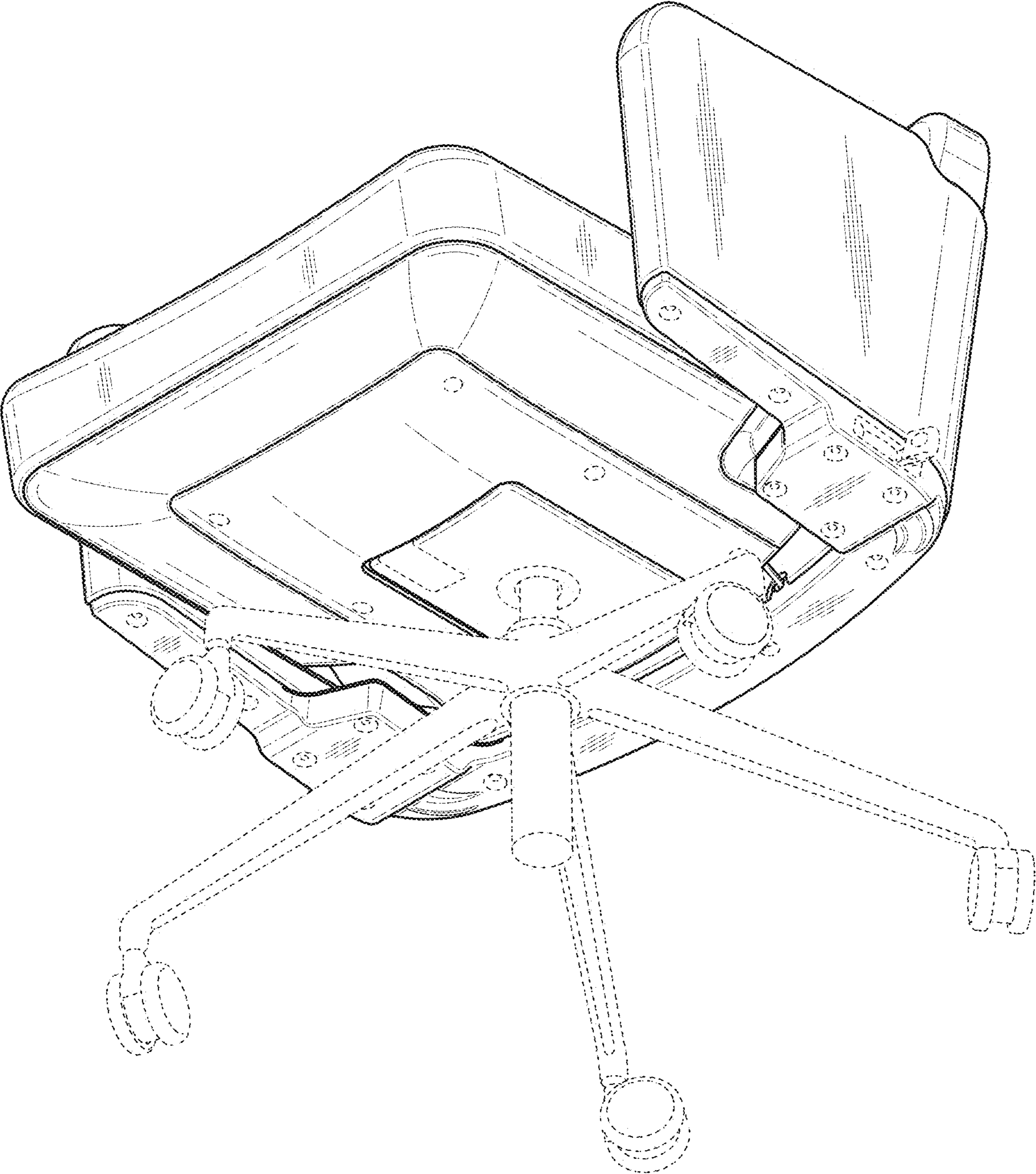


FIG. 2

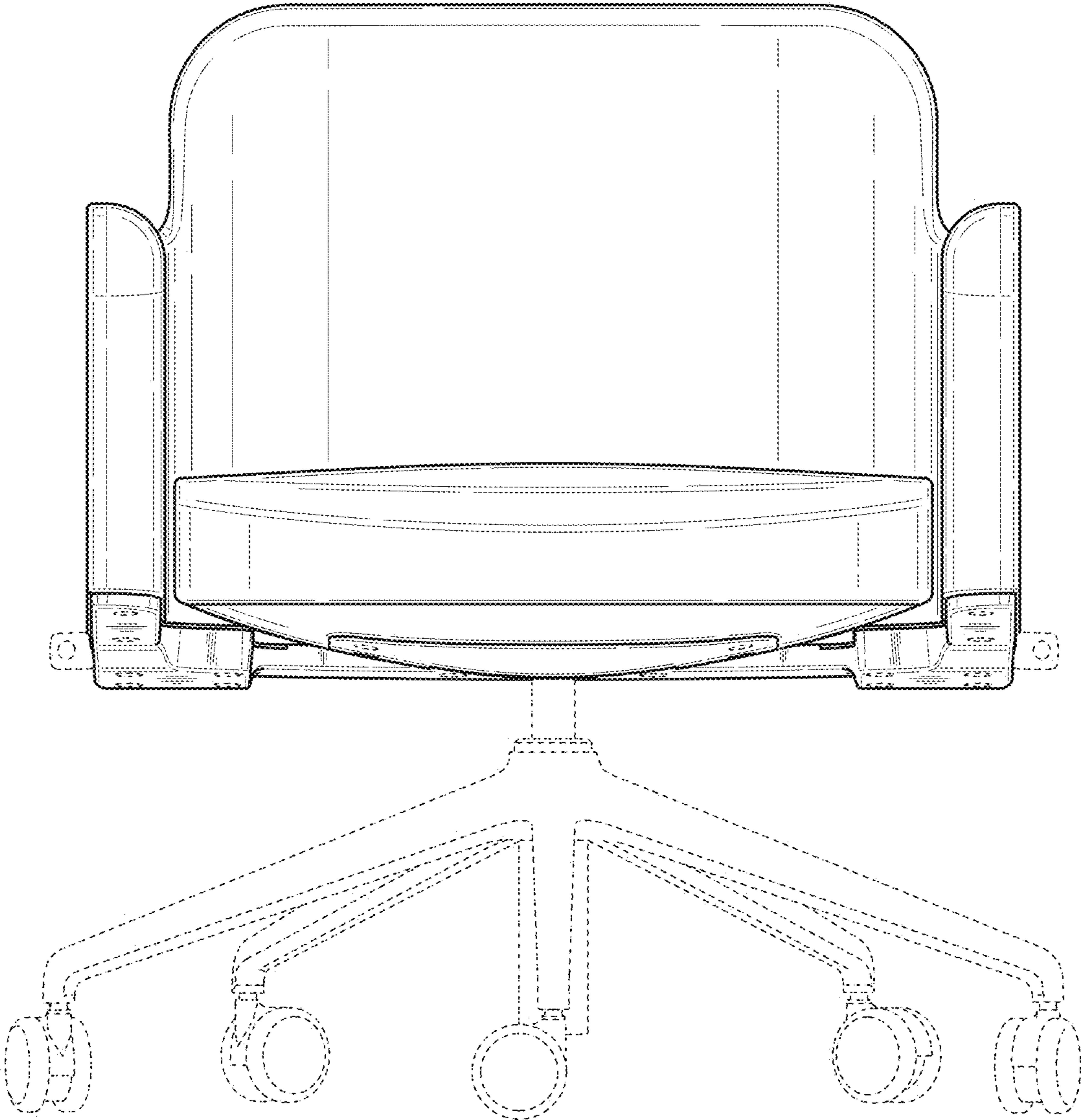


FIG. 3

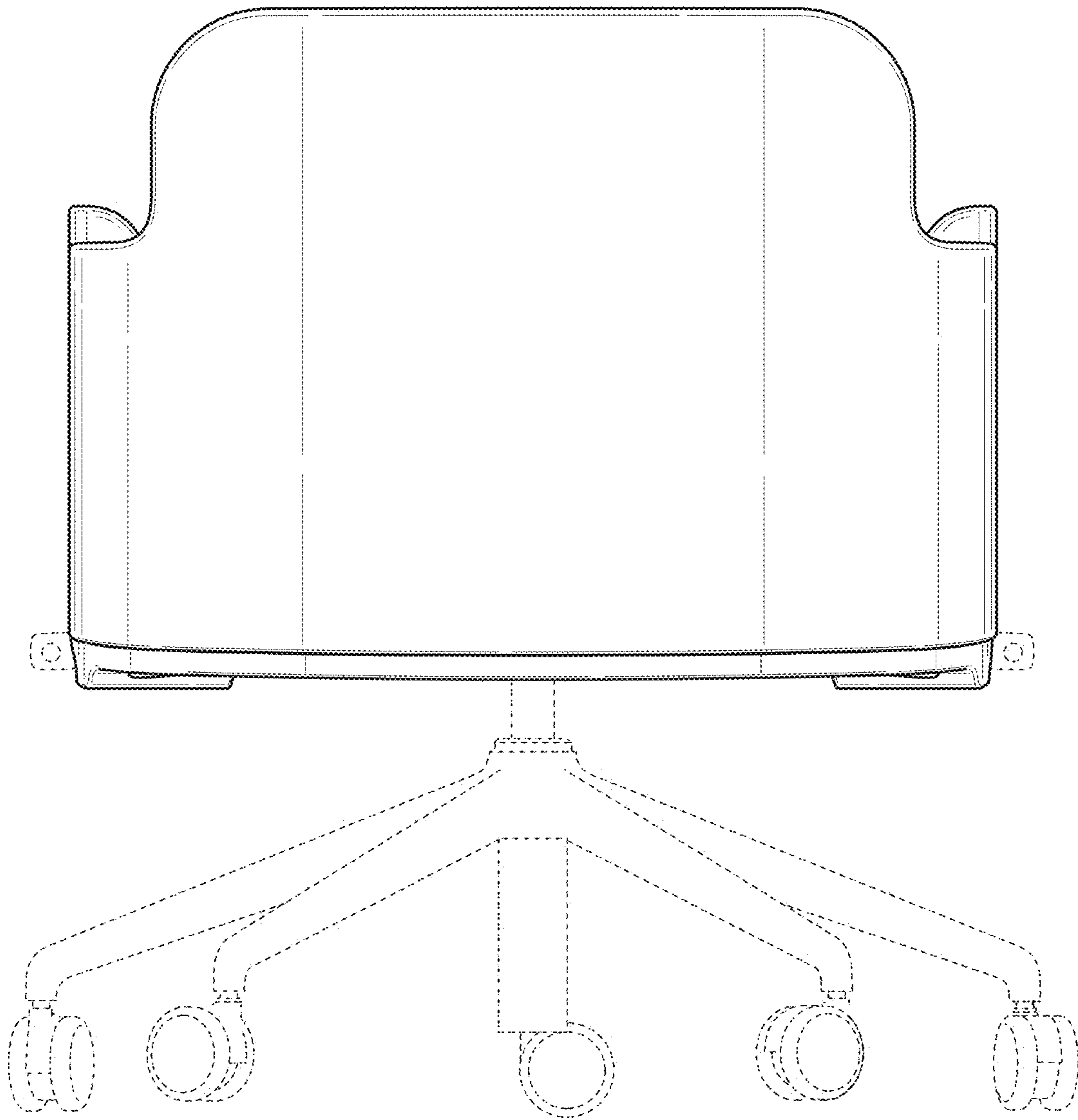


FIG. 4

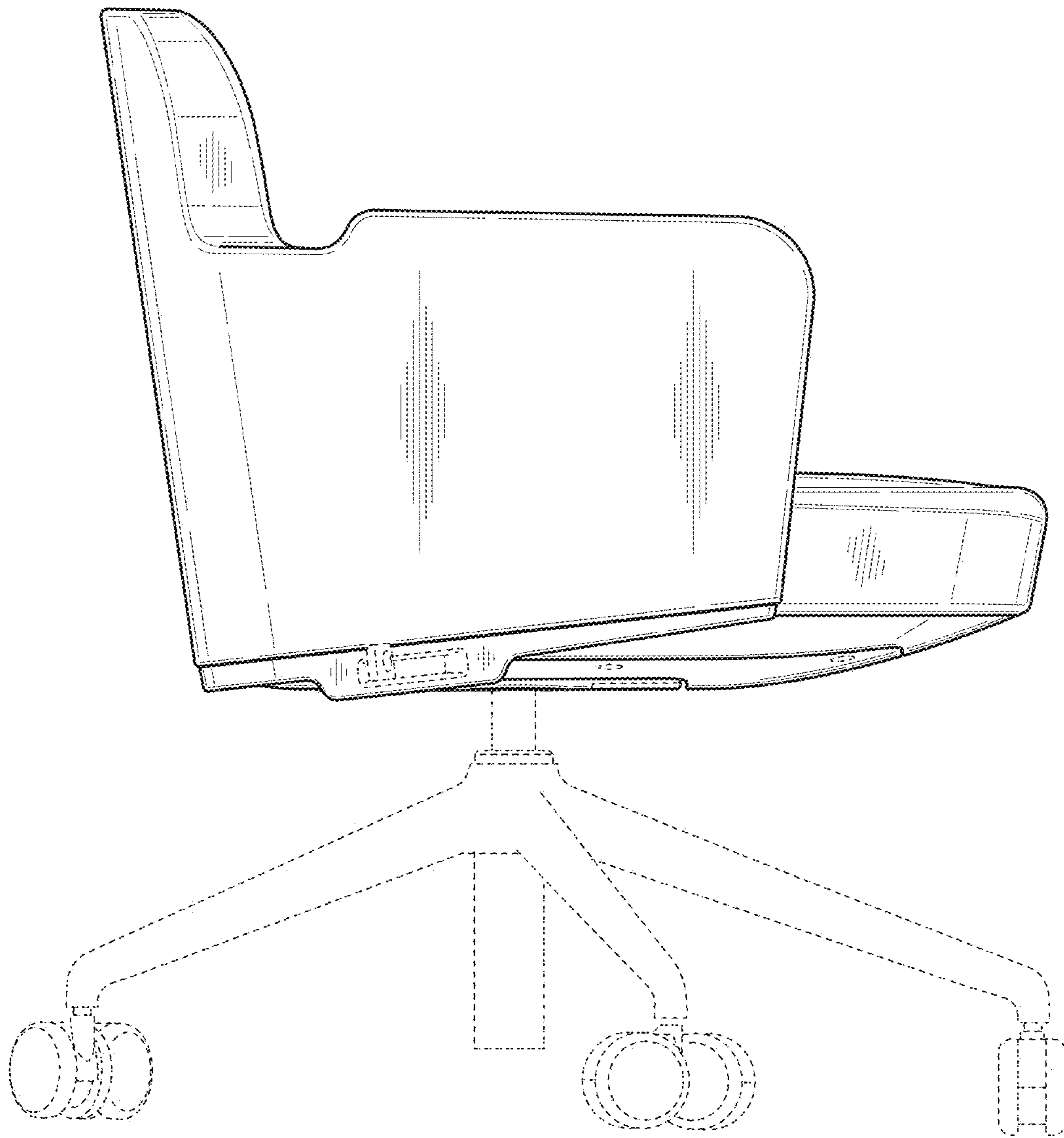


FIG. 5

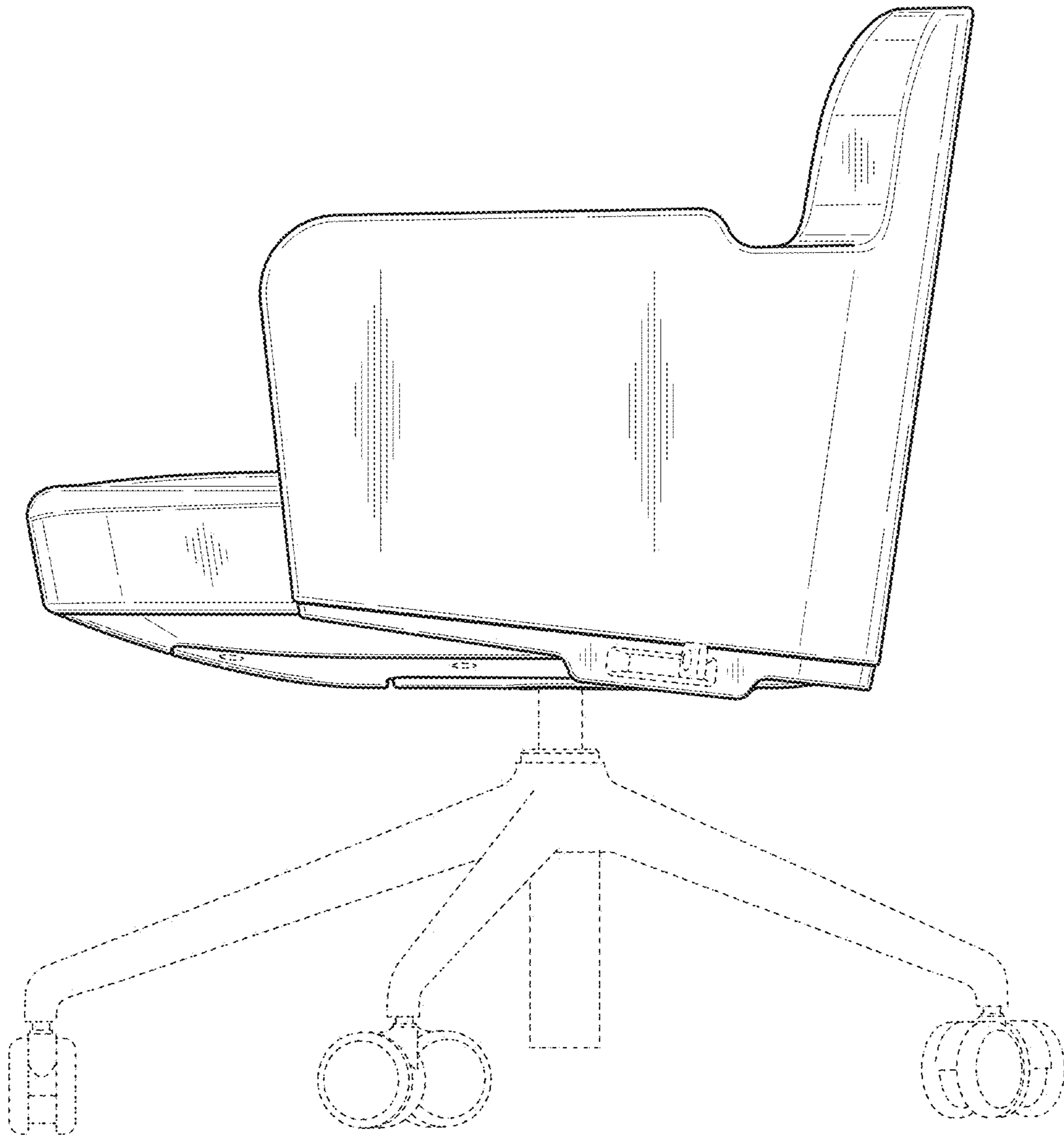


FIG. 6

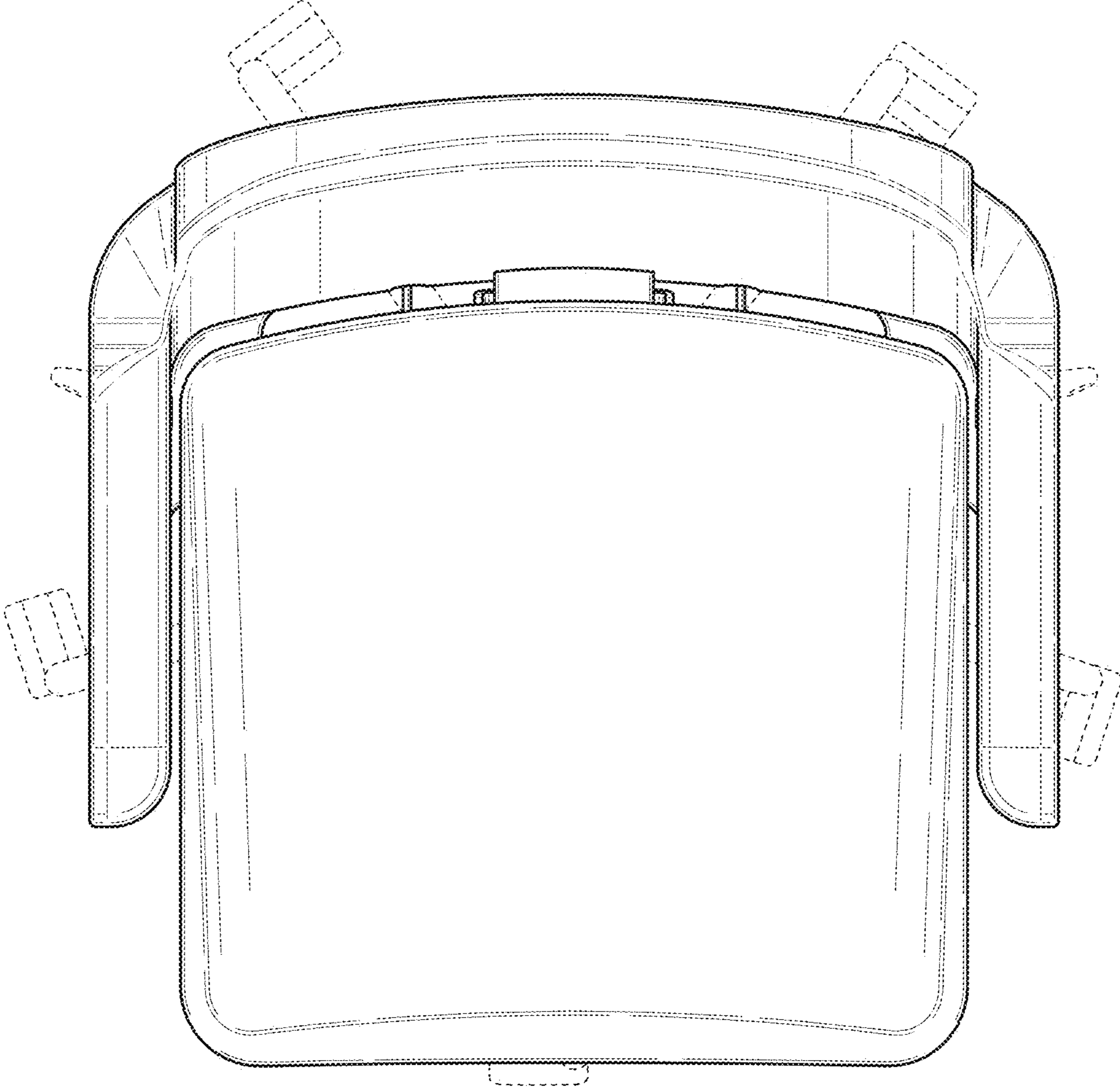


FIG. 7

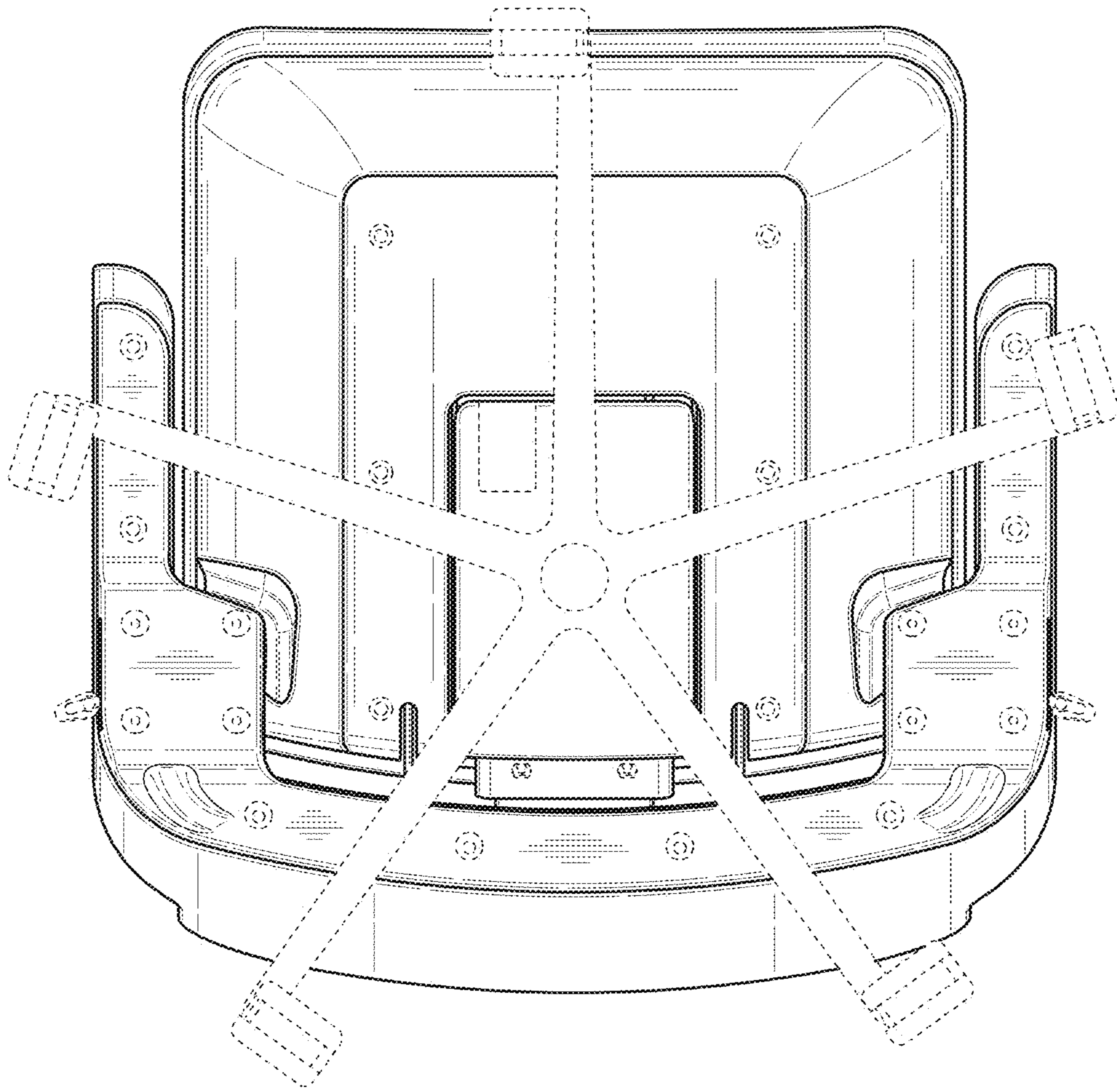


FIG. 8