



US00D888447S

(12) **United States Design Patent** (10) **Patent No.:** **US D888,447 S**
Xu (45) **Date of Patent:** **** Jun. 30, 2020**

(54) **METAL BAR CHAIR WITH SWIVEL SEAT**

(71) Applicant: **Anji Hengda Spring Co., Ltd., Anji (CN)**

(72) Inventor: **Zhenjie Xu, Anji (CN)**

(**) Term: **15 Years**

(21) Appl. No.: **29/681,043**

(22) Filed: **Feb. 22, 2019**

(51) **LOC (12) Cl.** **06-01**

(52) **U.S. Cl.**
USPC **D6/360**

(58) **Field of Classification Search**
USPC D6/334, 341, 349, 352, 353, 360, 364,
D6/373, 375, 677, 692, 700, 708, 716,
D6/350, 369, 708.16, 374, 379, 380
CPC A47C 3/34; A47C 7/506; A47C 9/007;
A47C 13/023; A47C 4/028; A47C 4/02
See application file for complete search history.

(56) **References Cited**

U.S. PATENT DOCUMENTS

D199,979 S *	1/1965	Bates et al.	D6/350
3,227,243 A *	1/1966	Bates	A47C 4/20 182/156
6,070,941 A *	6/2000	Chung	A47C 4/02 297/440.1
D433,829 S *	11/2000	Barile	D6/360
D433,830 S *	11/2000	Barile	D6/360
D617,567 S *	6/2010	Stiker Metral	D6/360
D684,782 S *	6/2013	Adams	D6/360
D691,820 S *	10/2013	Adams	D6/360
D696,036 S *	12/2013	Starck	D6/360
D816,360 S *	5/2018	Saotome	D6/360
2019/0191882 A1 *	6/2019	Coleman	A47C 7/42

* cited by examiner

Primary Examiner — Kevin K Rudzinski

Assistant Examiner — Paul D Bohannon

(74) *Attorney, Agent, or Firm* — KA Filing LLC; Wayne V. Harper

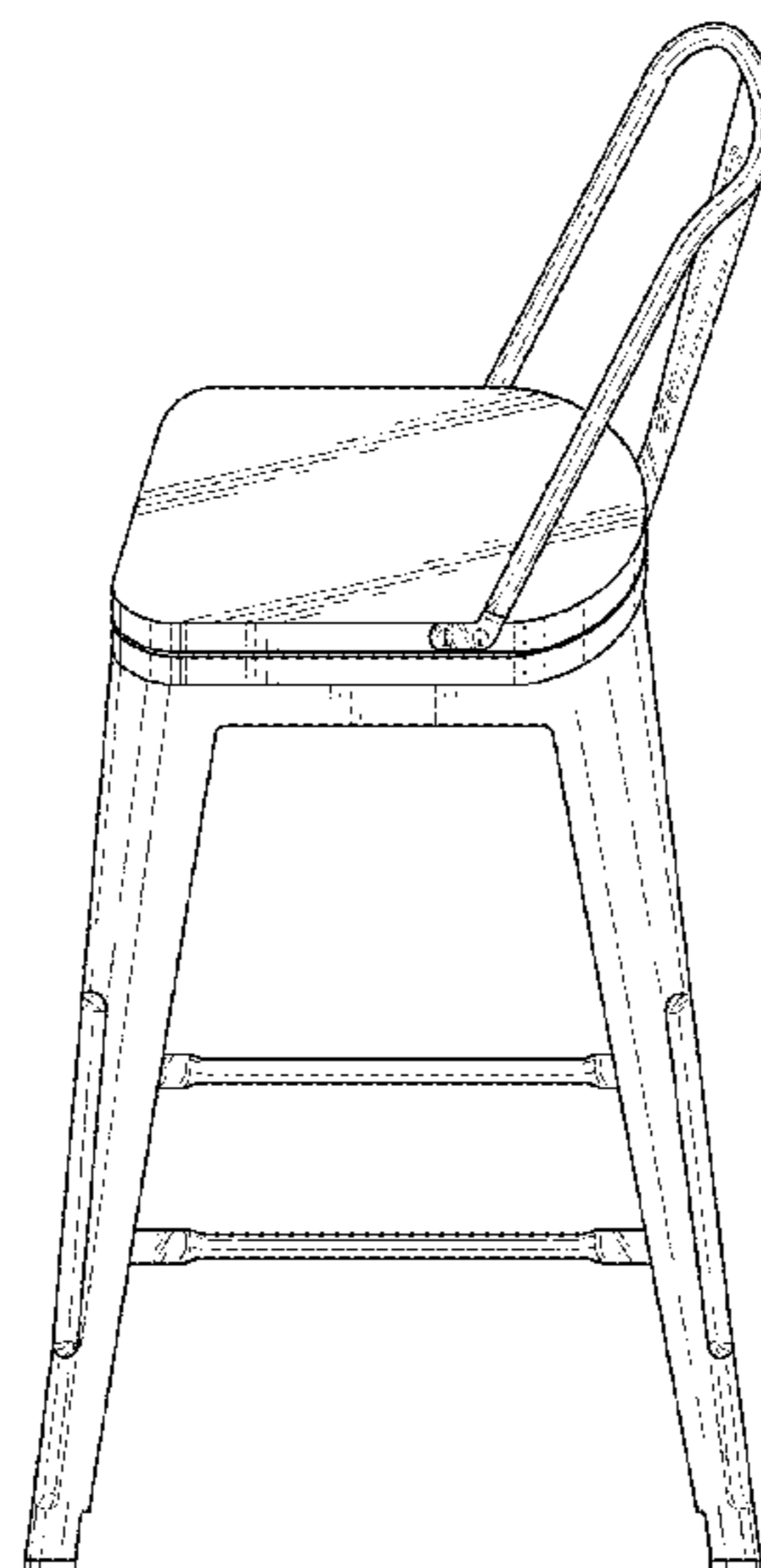
(57) **CLAIM**

I claim the ornamental design for a metal bar chair with swivel seat, as shown and described.

DESCRIPTION

FIG. 1 is a Perspective view of a metal bar chair with swivel seat showing my new design;
 FIG. 2 is a front view of the metal bar chair with swivel seat as shown in FIG. 1;
 FIG. 3 is a back view of the metal bar chair with swivel seat as shown in FIG. 1;
 FIG. 4 is a right-side view of the metal bar chair with swivel seat as shown in FIG. 1;
 FIG. 5 is a left-side view of the metal bar chair with swivel seat as shown in FIG. 1;
 FIG. 6 is a top view of the metal bar chair with swivel seat as shown in FIG. 1;
 FIG. 7 is a bottom view of the metal bar chair with swivel seat as shown in FIG. 1;
 FIG. 8 is another Perspective view of a metal bar chair with swivel seat showing my new design in a new position;
 FIG. 9 is another front view of the metal bar chair with swivel seat as shown in FIG. 1 in the new position;
 FIG. 10 is another back view of the metal bar chair with swivel seat as shown in FIG. 1 in the new position;
 FIG. 11 is another left-side view of the metal bar chair with swivel seat as shown in FIG. 1 in the new position;
 FIG. 12 is another right-side view of the metal bar chair with swivel seat as shown in FIG. 1 in the new position;
 FIG. 13 is another top view of the metal bar chair with swivel seat as shown in FIG. 1 in the new position; and,
 FIG. 14 is another bottom view of the metal bar chair with swivel seat as shown in FIG. 1 in the new position.
 The broken lines shown in the drawings are for the purpose of illustrating environmental structure and form no part of the claimed design.

1 Claim, 12 Drawing Sheets



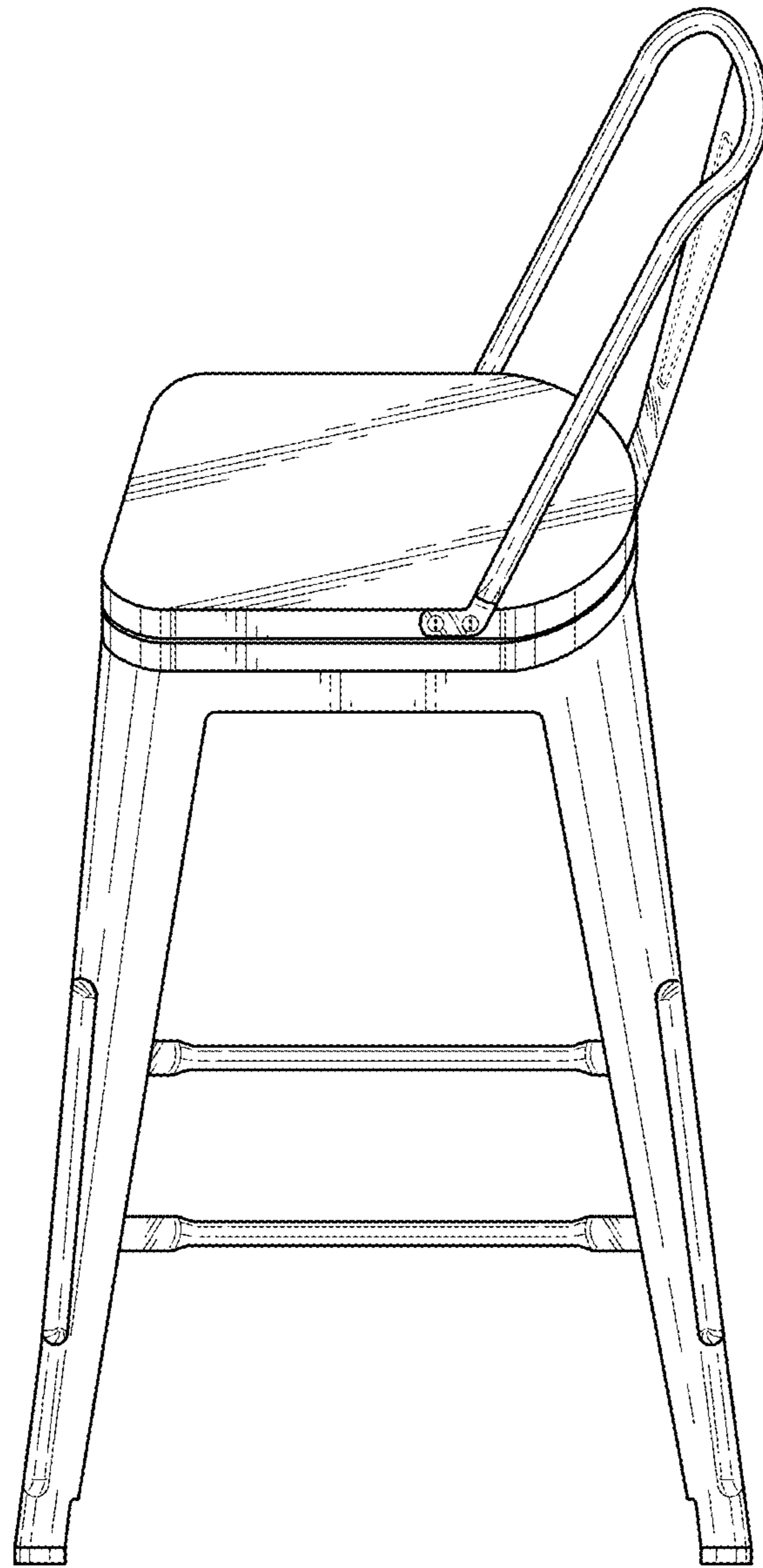


FIG. 1

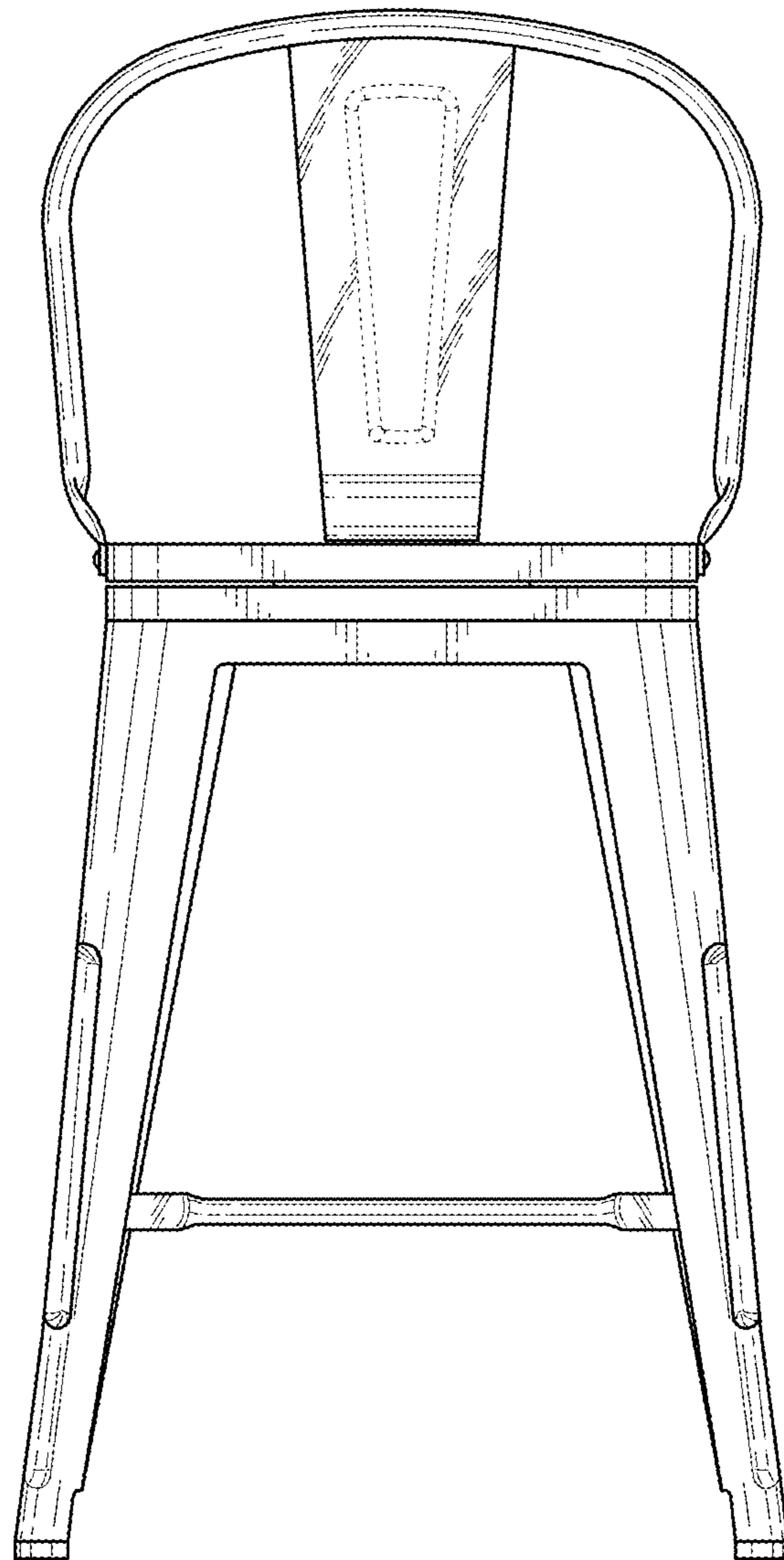


FIG. 2

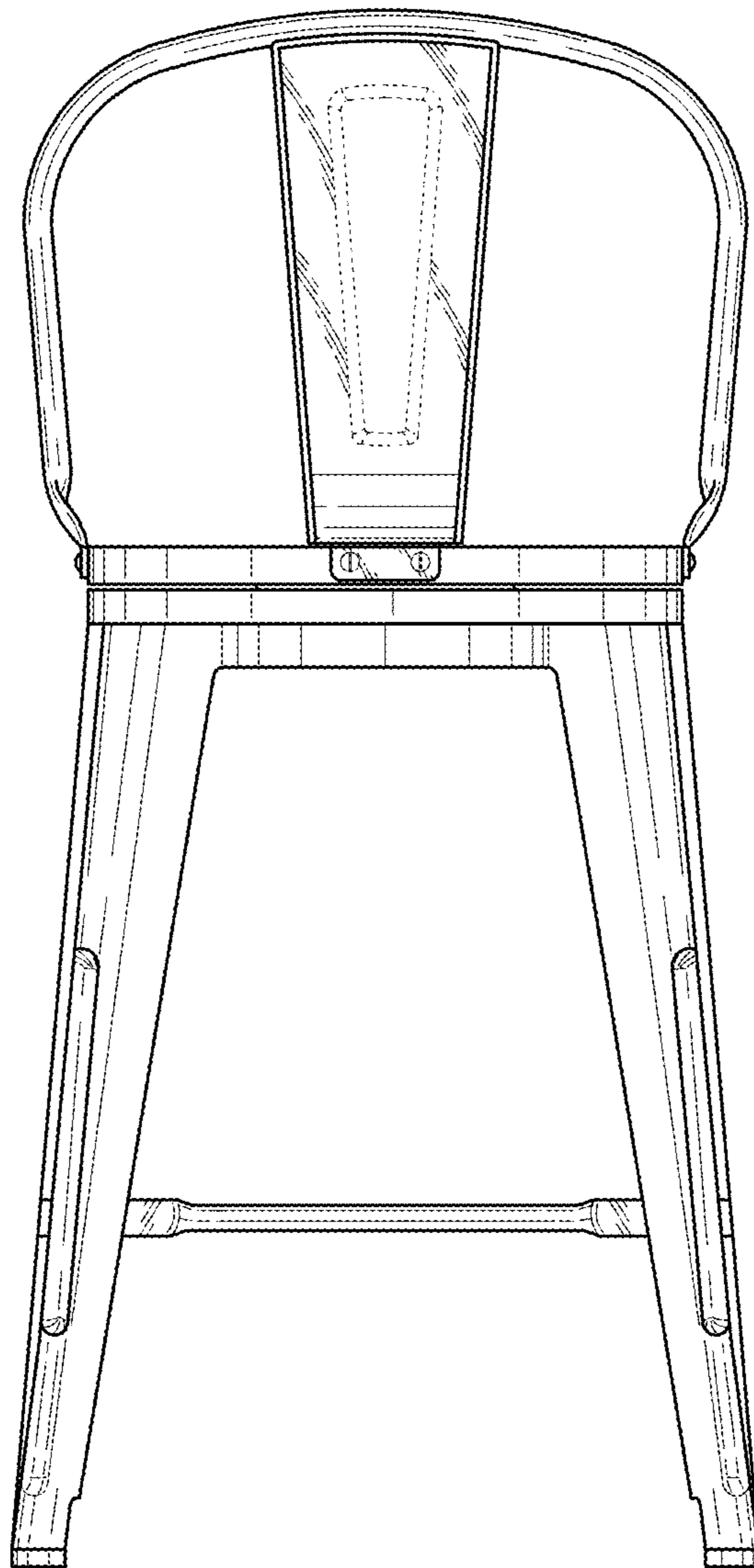


FIG. 3

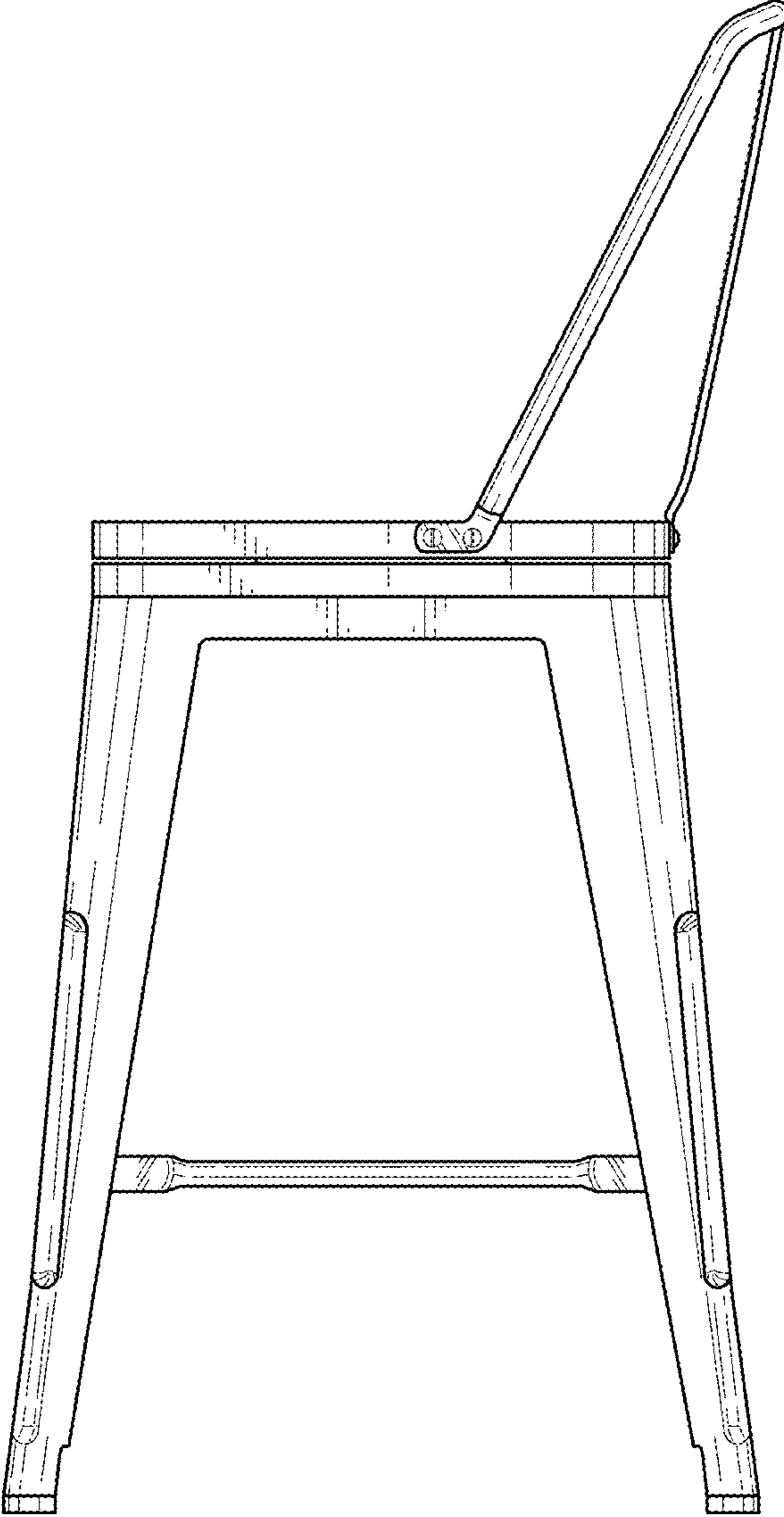


FIG. 4

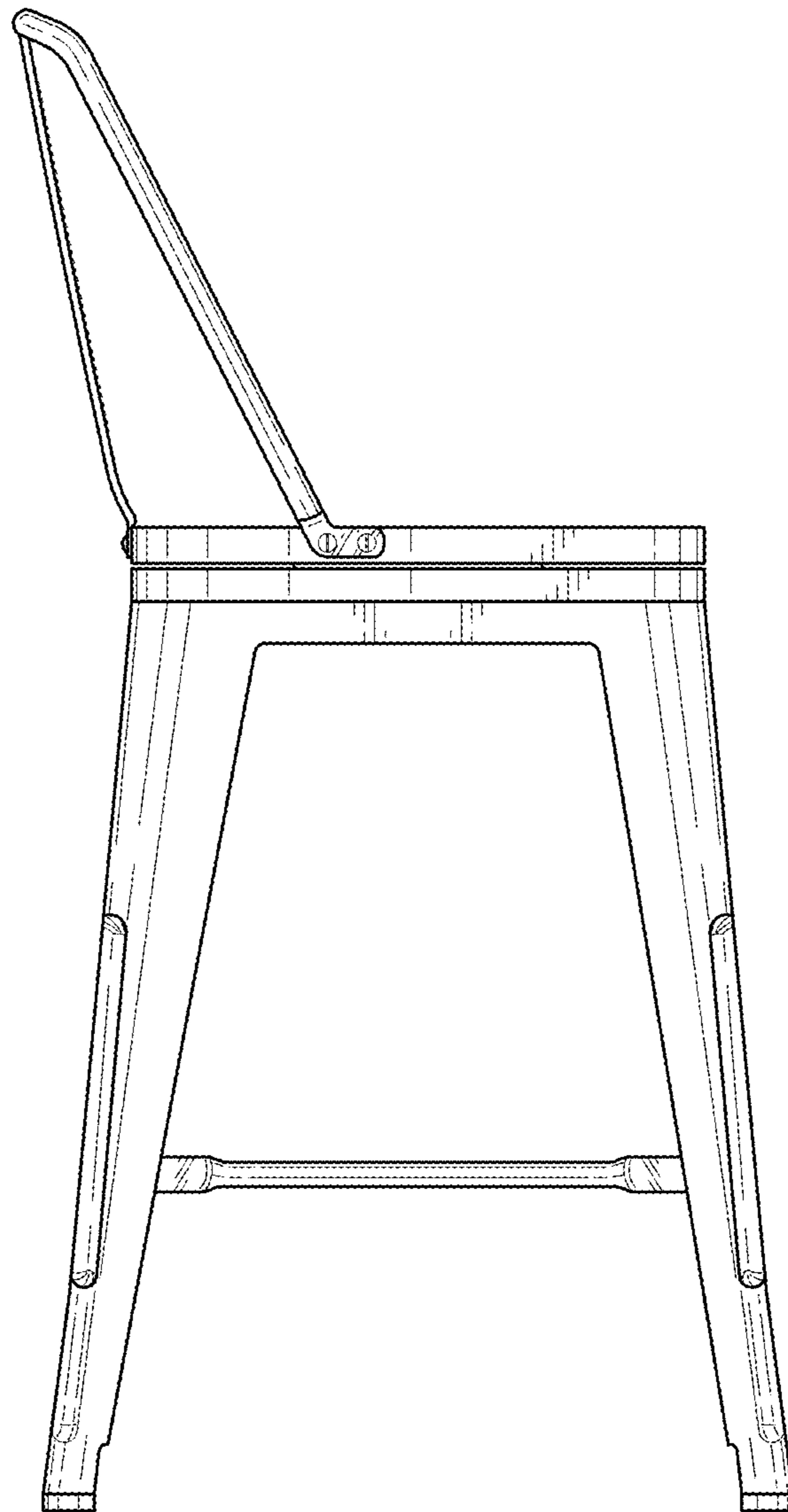


FIG. 5

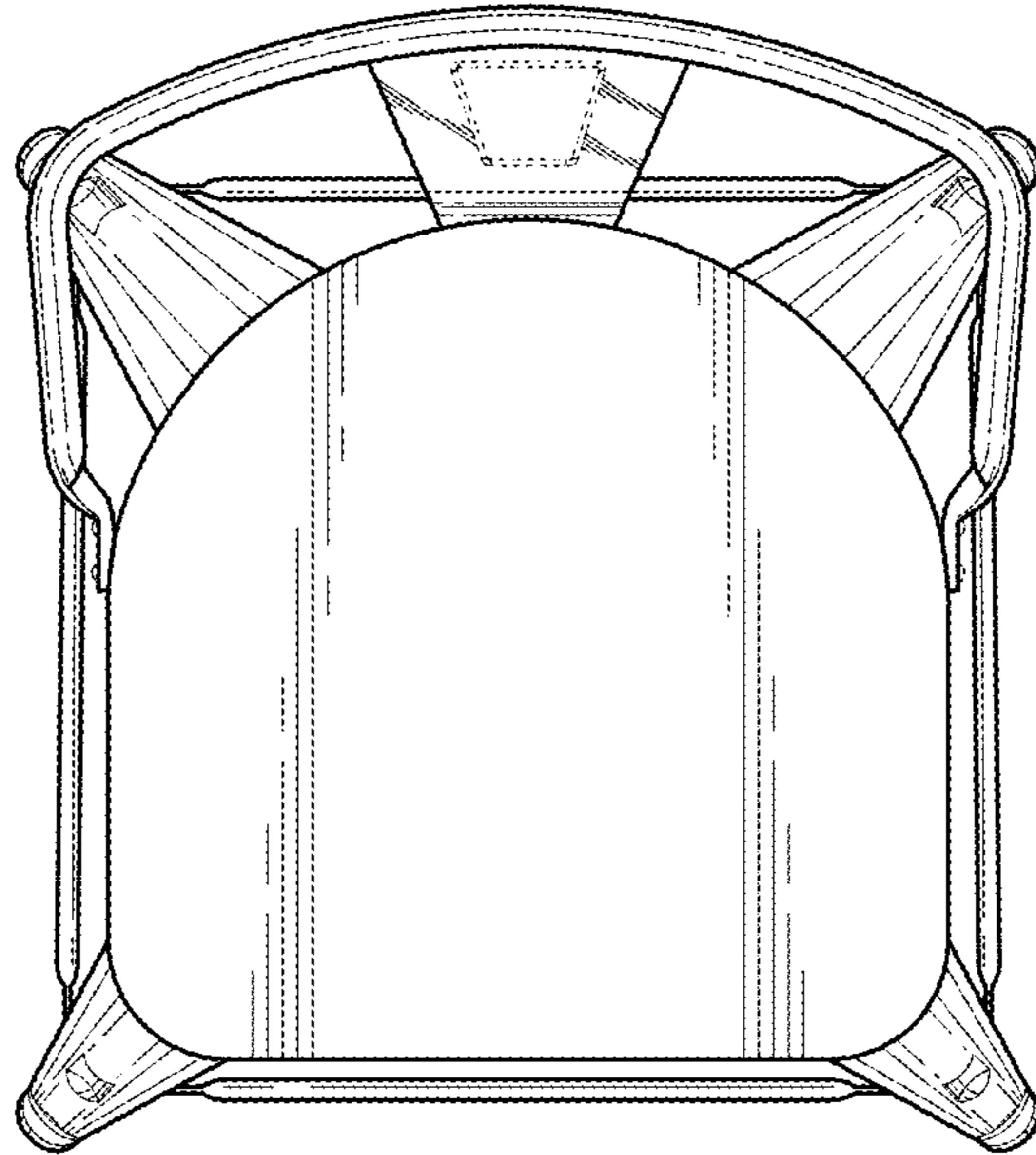


FIG. 6

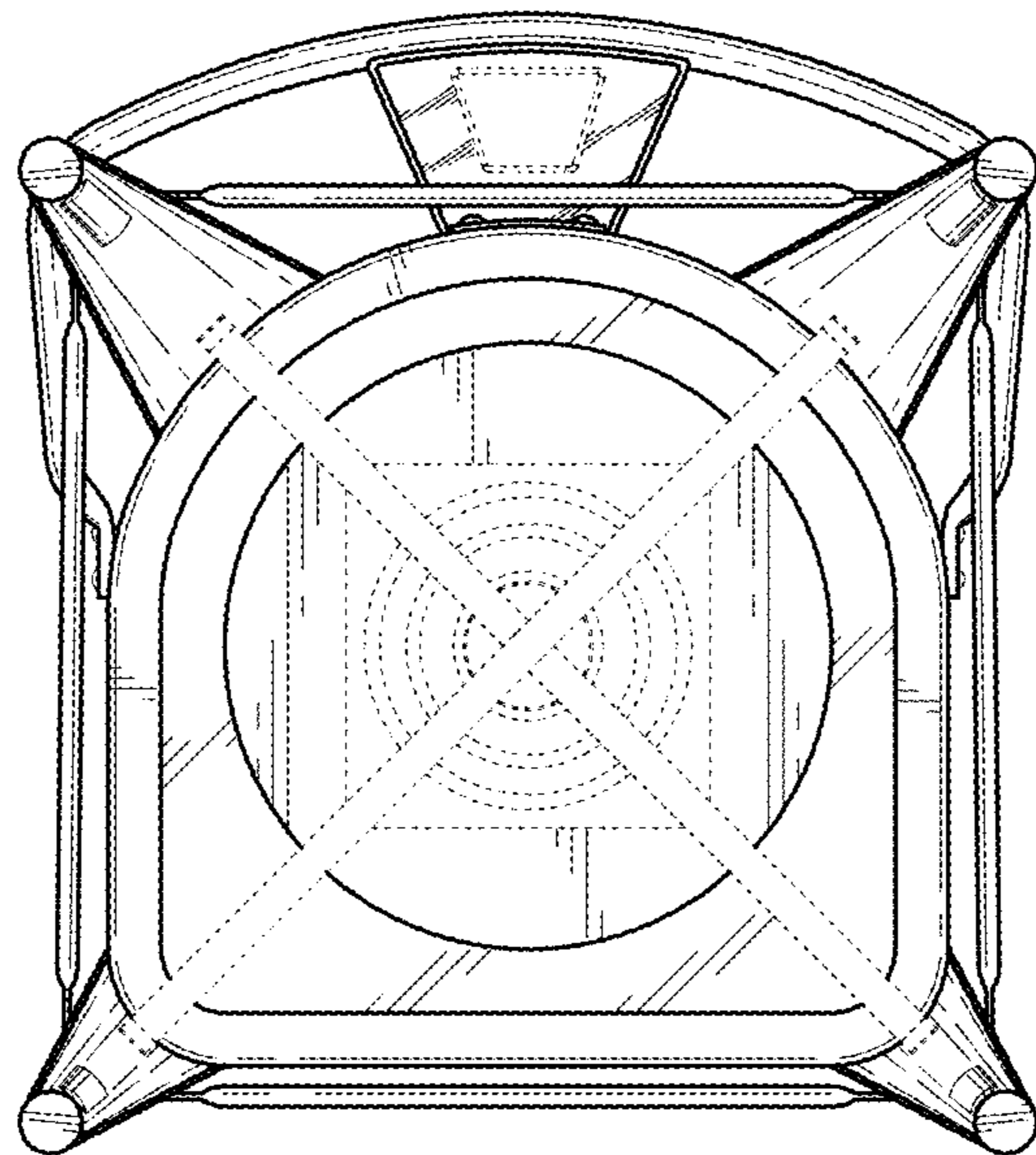


FIG. 7

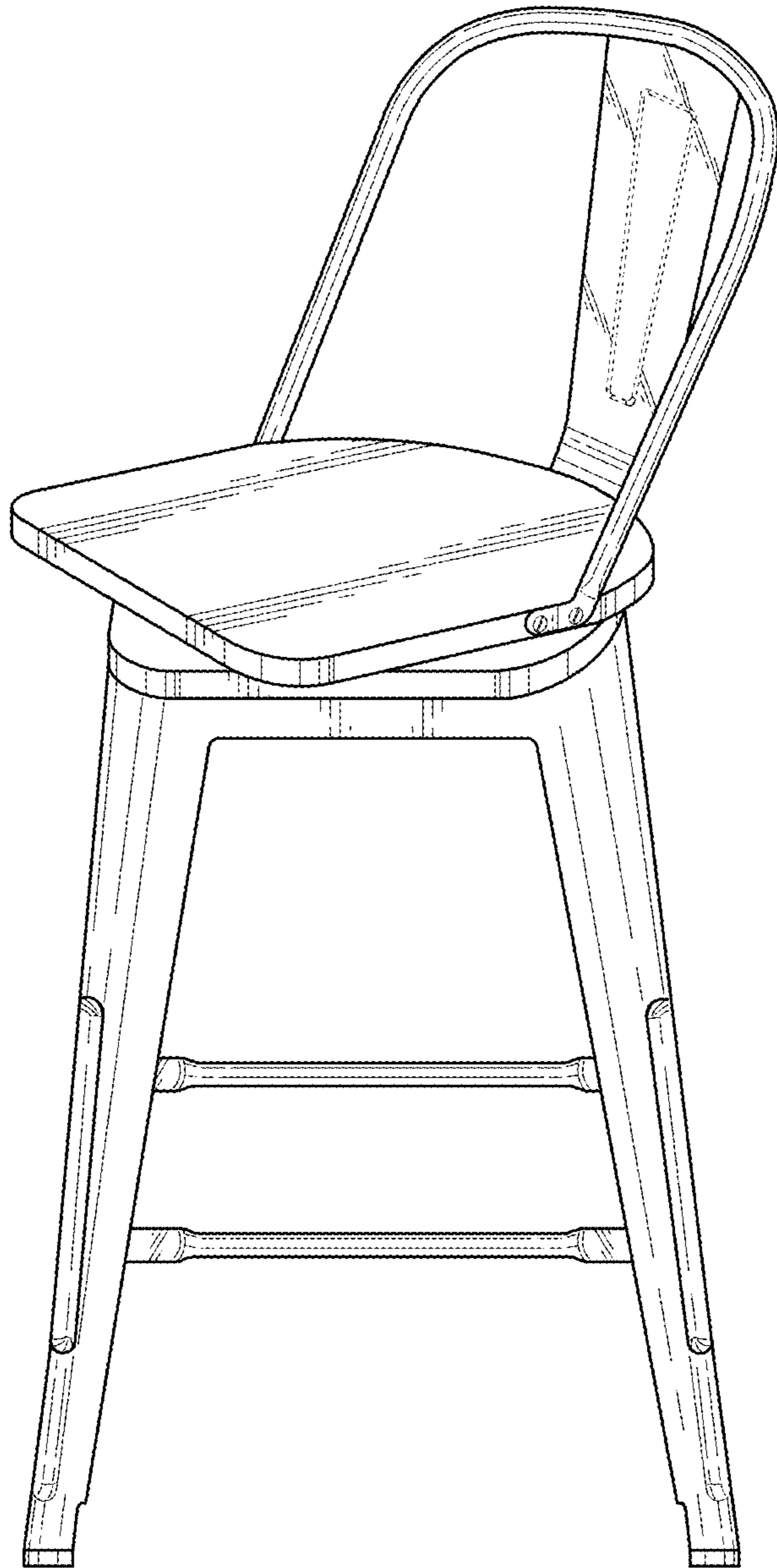


FIG. 8

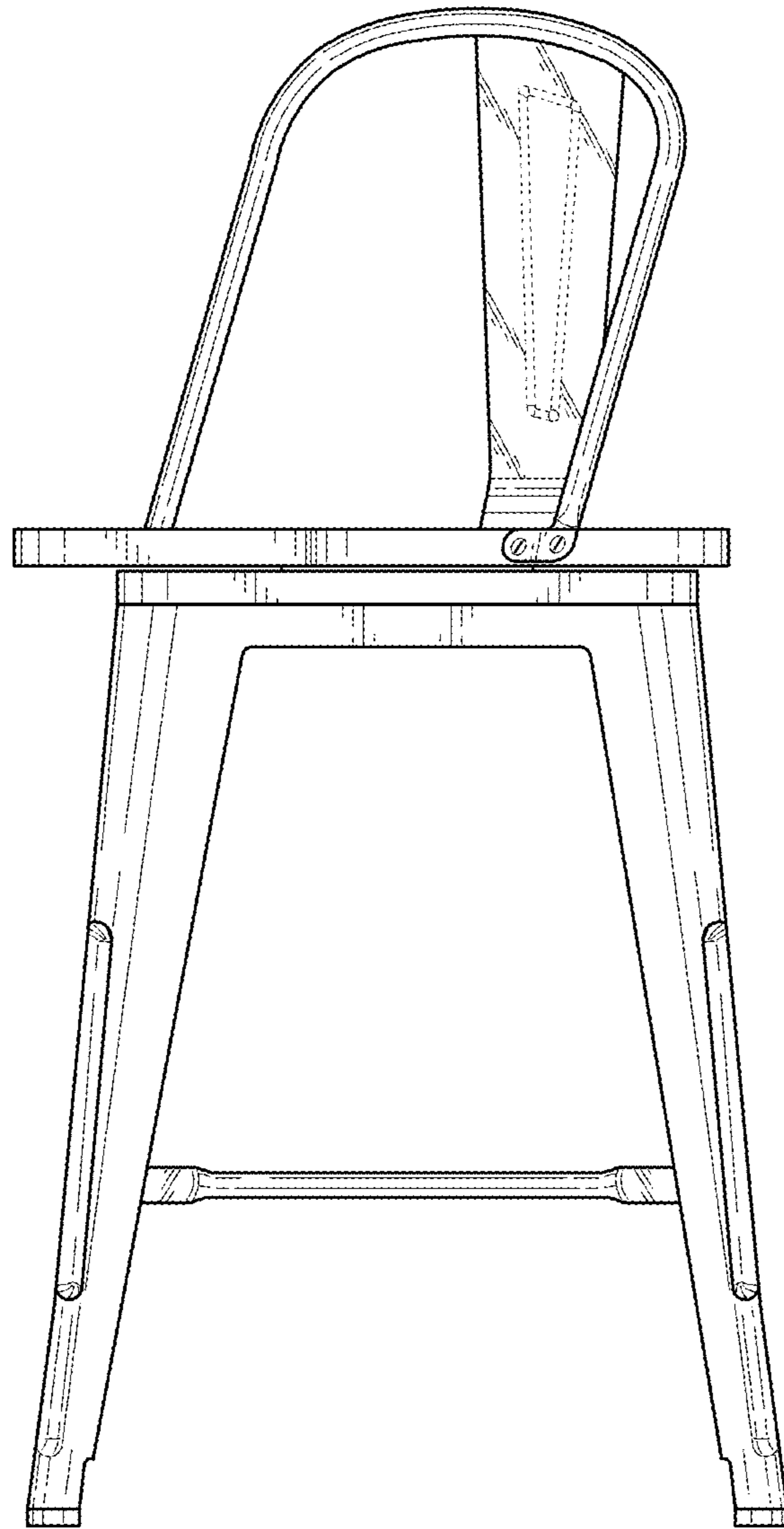


FIG. 9

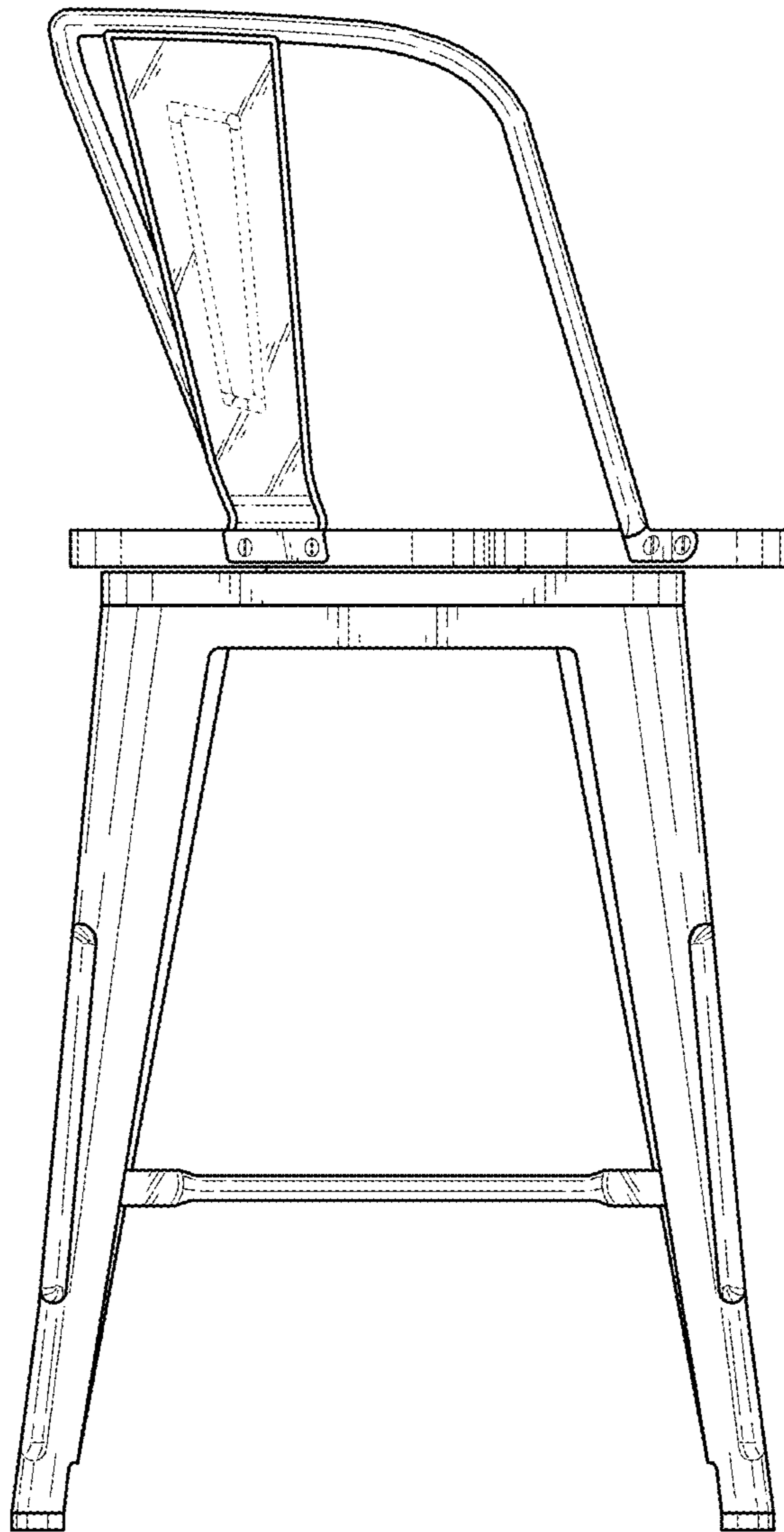


FIG. 10

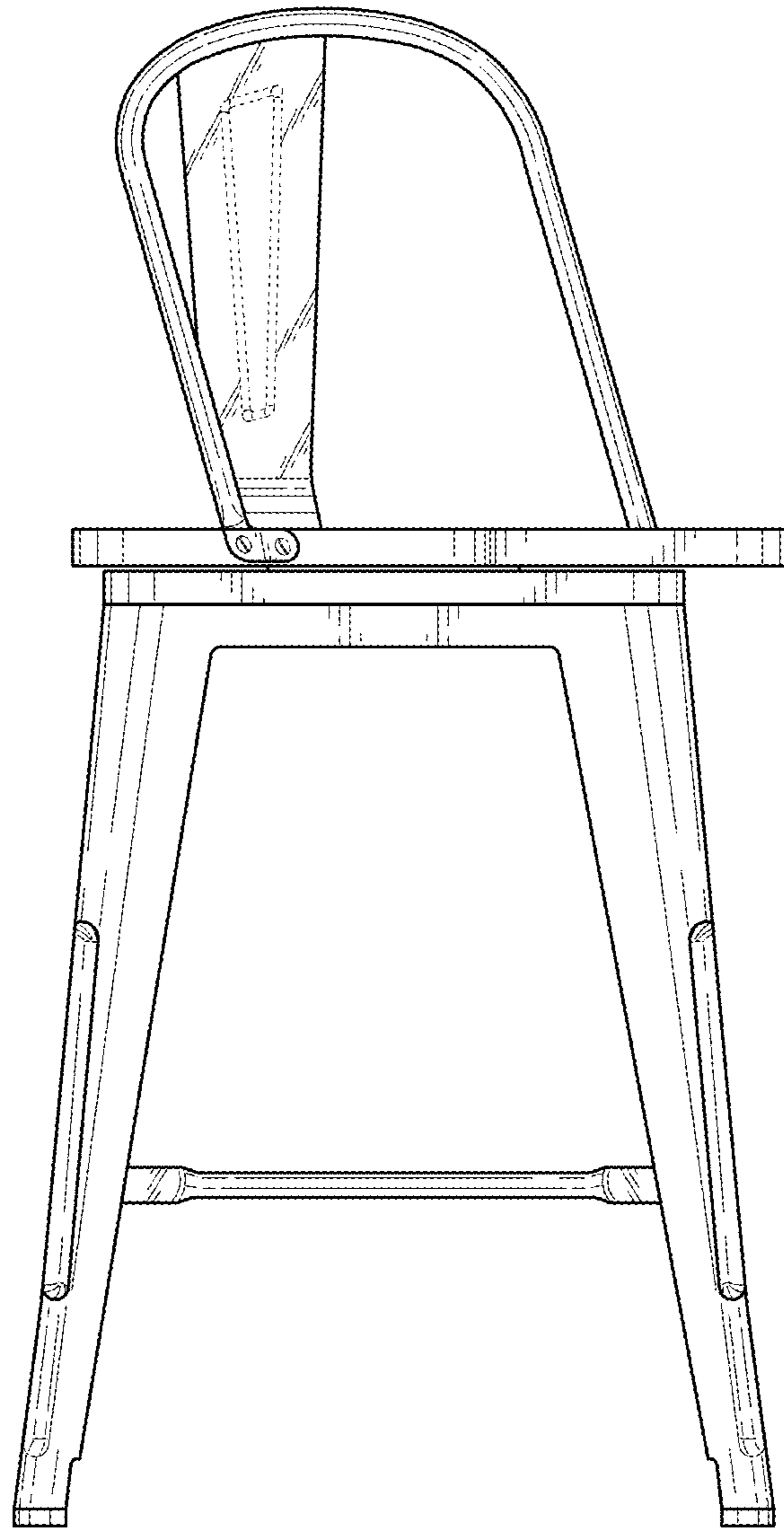


FIG. 11

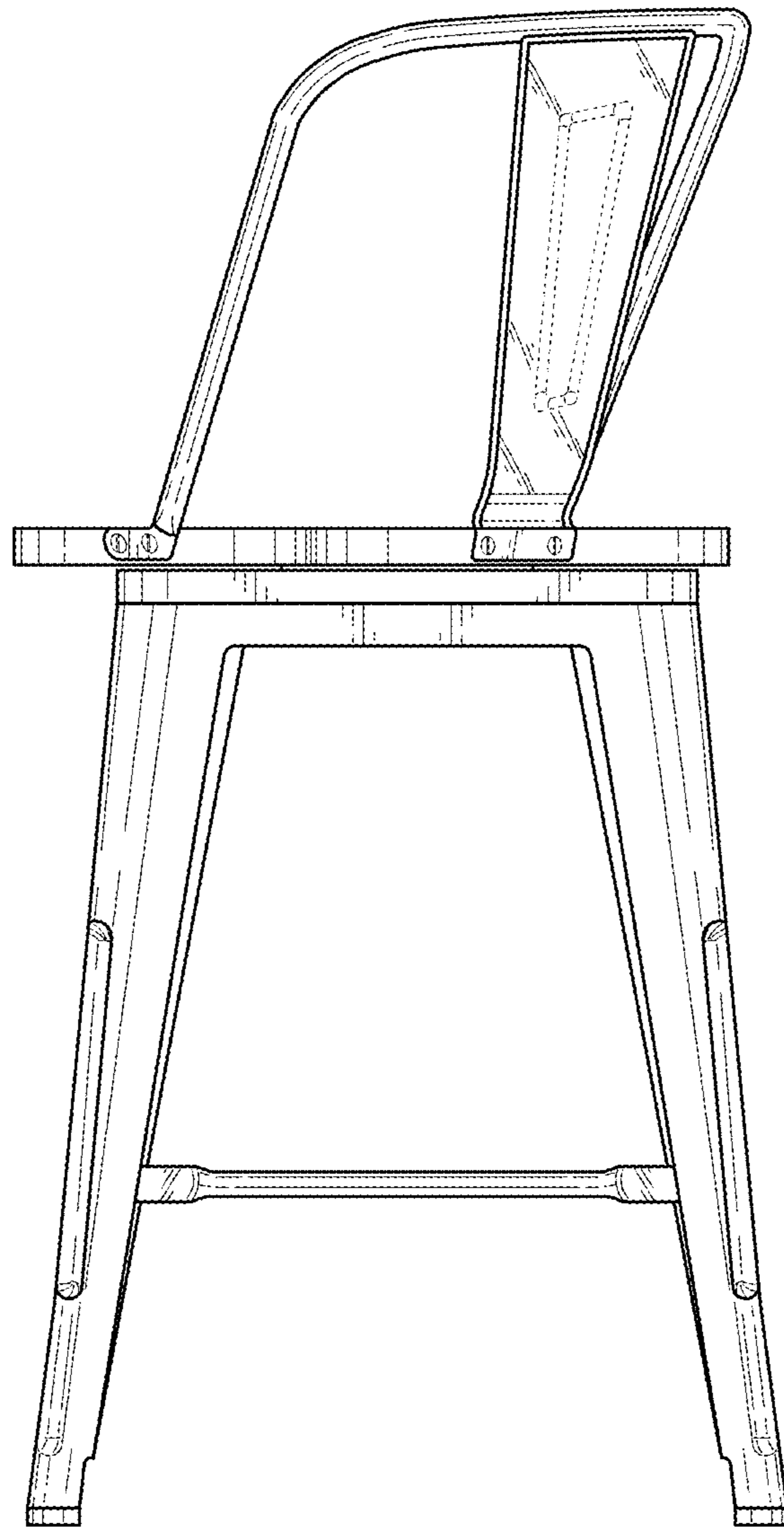


FIG. 12

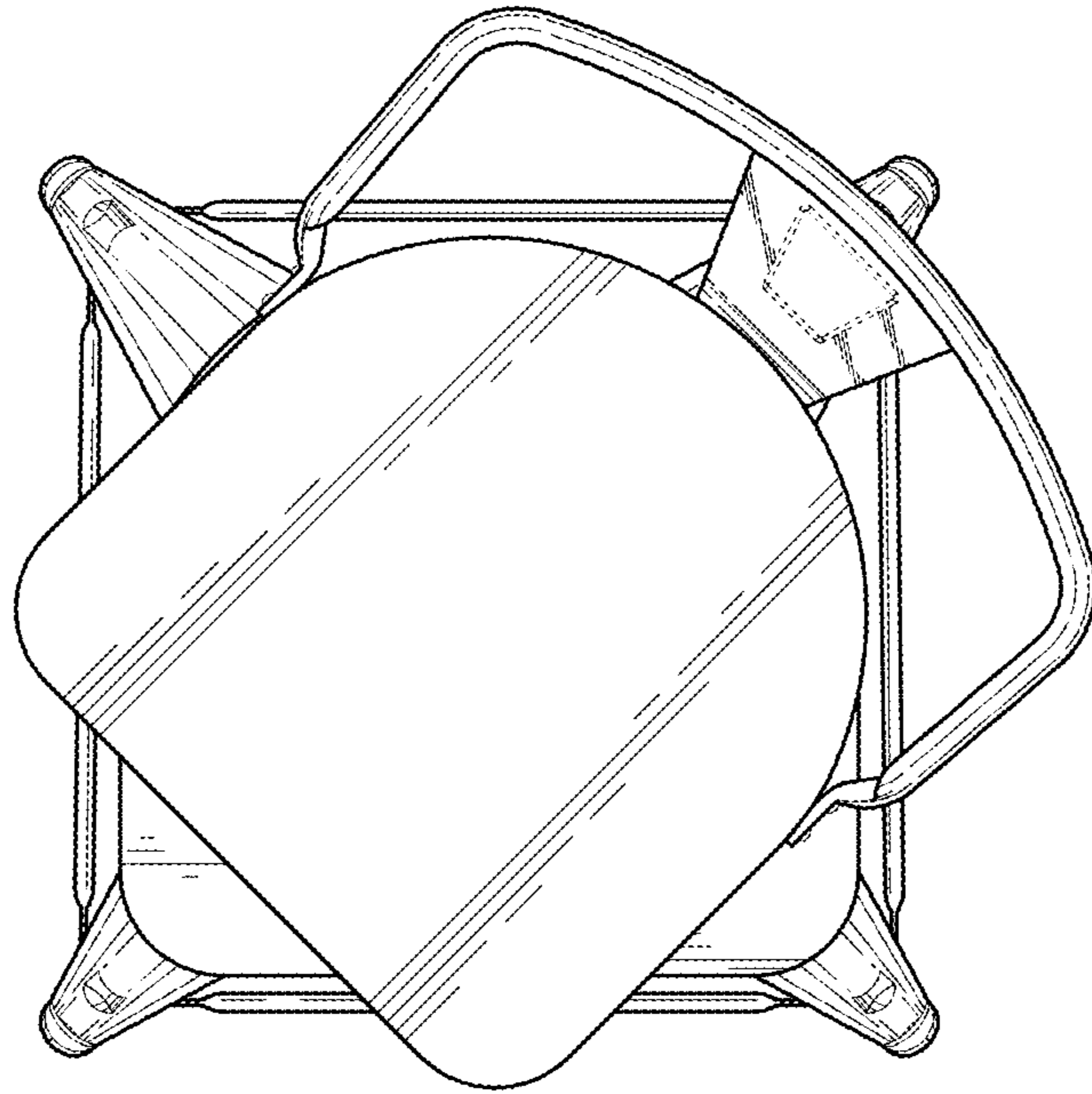


FIG. 13

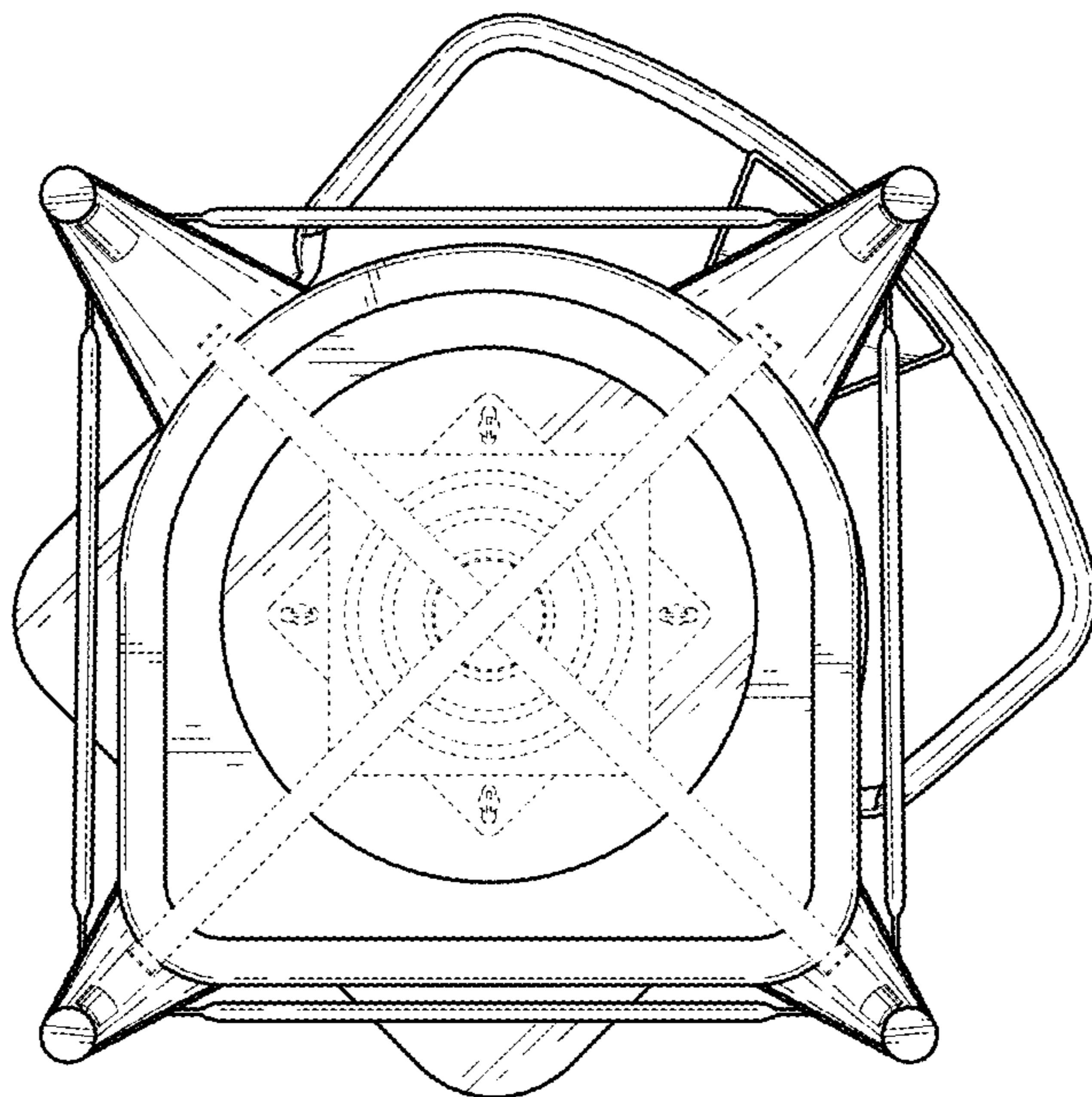


FIG. 14