



US00D888443S

(12) **United States Design Patent** (10) **Patent No.:** **US D888,443 S**  
**Nethercott et al.** (45) **Date of Patent:** **\*\* Jun. 30, 2020**

(54) **TOILET FOOTREST**  
(71) Applicant: **Squatty Potty, LLC**, St. George, UT (US)  
(72) Inventors: **Tony Nethercott**, St. George, UT (US); **Phillip Dietz**, St. George, UT (US); **Bernard R. Kropfelder**, St. George, UT (US)

(73) Assignee: **Squatty Potty, LLC**, St. George, UT (US)

(\*\*) Term: **15 Years**

(21) Appl. No.: **29/639,944**

(22) Filed: **Mar. 9, 2018**

(51) **LOC (12) Cl.** ..... **06-01**

(52) **U.S. Cl.**  
USPC ..... **D6/349**

(58) **Field of Classification Search**  
USPC ..... D6/334, 349-353, 355, 364-365, D6/691-691.9, 692-692.6, 709, 710, D6/716-716.1, 716.5, 719; D25/65  
CPC ..... A47B 7/00-02; A47C 11/00; A47C 12/00; A47C 13/00; A47C 16/00; A47C 16/02-04; A47C 9/00-105; A47K 17/02; A47K 17/028

See application file for complete search history.

(56) **References Cited**

**U.S. PATENT DOCUMENTS**

D268,796 S \* 5/1983 Kola ..... D6/349  
D567,562 S \* 4/2008 Nash ..... D6/601  
D652,222 S \* 1/2012 Edwards ..... D6/349  
D677,478 S \* 3/2013 Edwards ..... D6/349  
D698,163 S \* 1/2014 Edwards ..... D6/349  
D749,330 S \* 2/2016 Jahns ..... D6/349  
D766,604 S \* 9/2016 Edwards ..... A47K 17/02  
D6/353  
D767,291 S \* 9/2016 Edwards ..... A47C 16/025  
D6/353  
D797,466 S \* 9/2017 Zioni ..... D6/353

D813,560 S \* 3/2018 Zioni ..... D6/353  
D840,166 S \* 2/2019 Nethercott ..... D6/353  
D840,167 S \* 2/2019 Nethercott ..... D6/353  
D842,618 S \* 3/2019 Nethercott ..... D6/353  
D847,521 S \* 5/2019 Lisnic ..... D6/353  
D854,840 S \* 7/2019 Sato ..... D6/349  
2014/0123376 A1\* 5/2014 Edwards ..... A47K 17/028  
4/254  
2019/0150682 A1\* 5/2019 Nethercott ..... A47K 17/028  
2019/0274495 A1\* 9/2019 Leavitt ..... F21V 23/0464

**OTHER PUBLICATIONS**

Squatty Potty Toilet Stool, Curve Lightweight. [online] Retrieved Jan. 1, 200 from URL: [https://www.amazon.com/Squatty-Potty-Curve-Toilet-Stool/dp/B07CZ3SC1T?ref\\_=ast\\_sto\\_dp&th=1&psc=1](https://www.amazon.com/Squatty-Potty-Curve-Toilet-Stool/dp/B07CZ3SC1T?ref_=ast_sto_dp&th=1&psc=1).

\* cited by examiner

*Primary Examiner* — Vy N Koenig

(74) *Attorney, Agent, or Firm* — Gurr Brande & Spendlove, PLLC; Robert A. Gurr

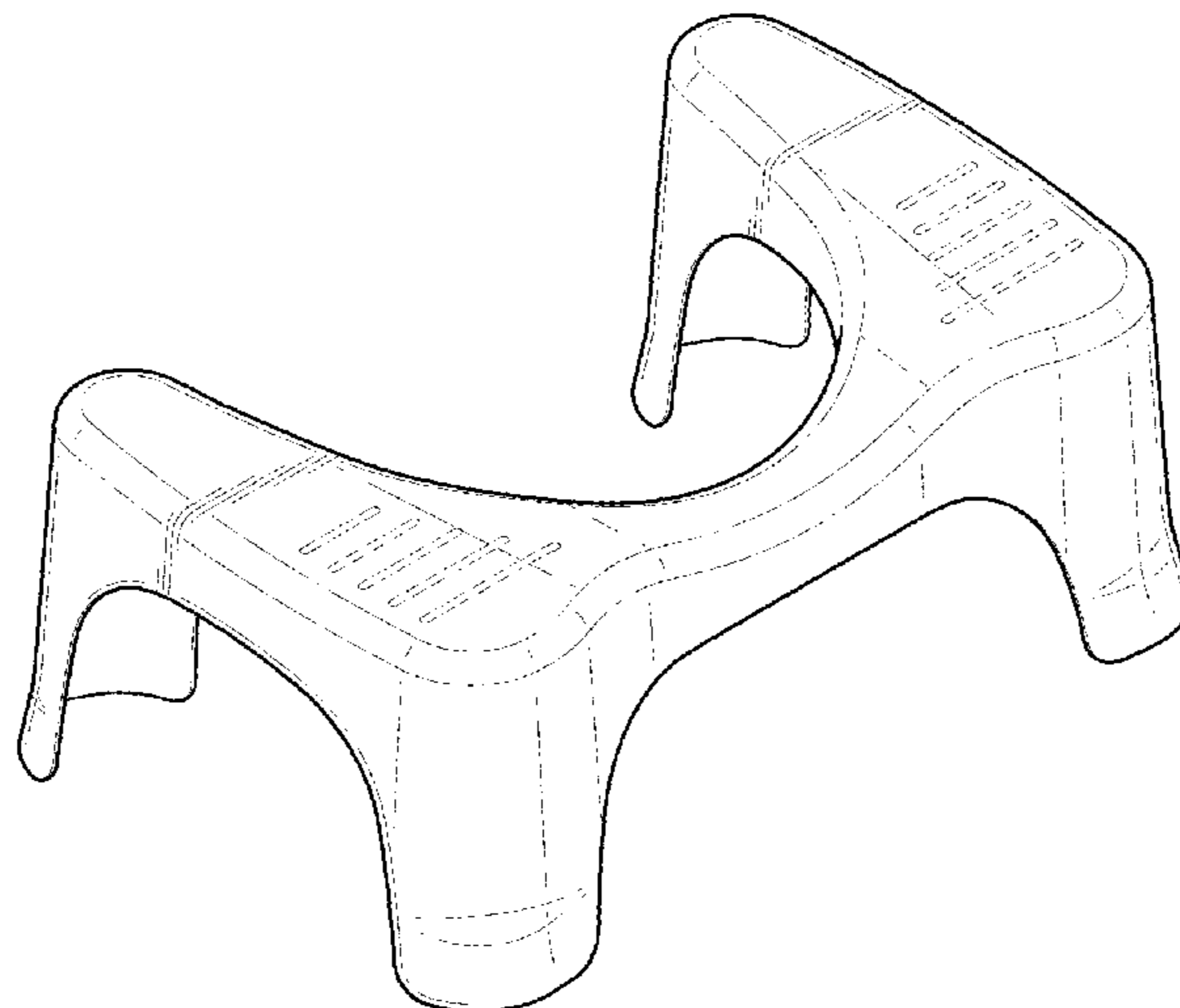
(57) **CLAIM**

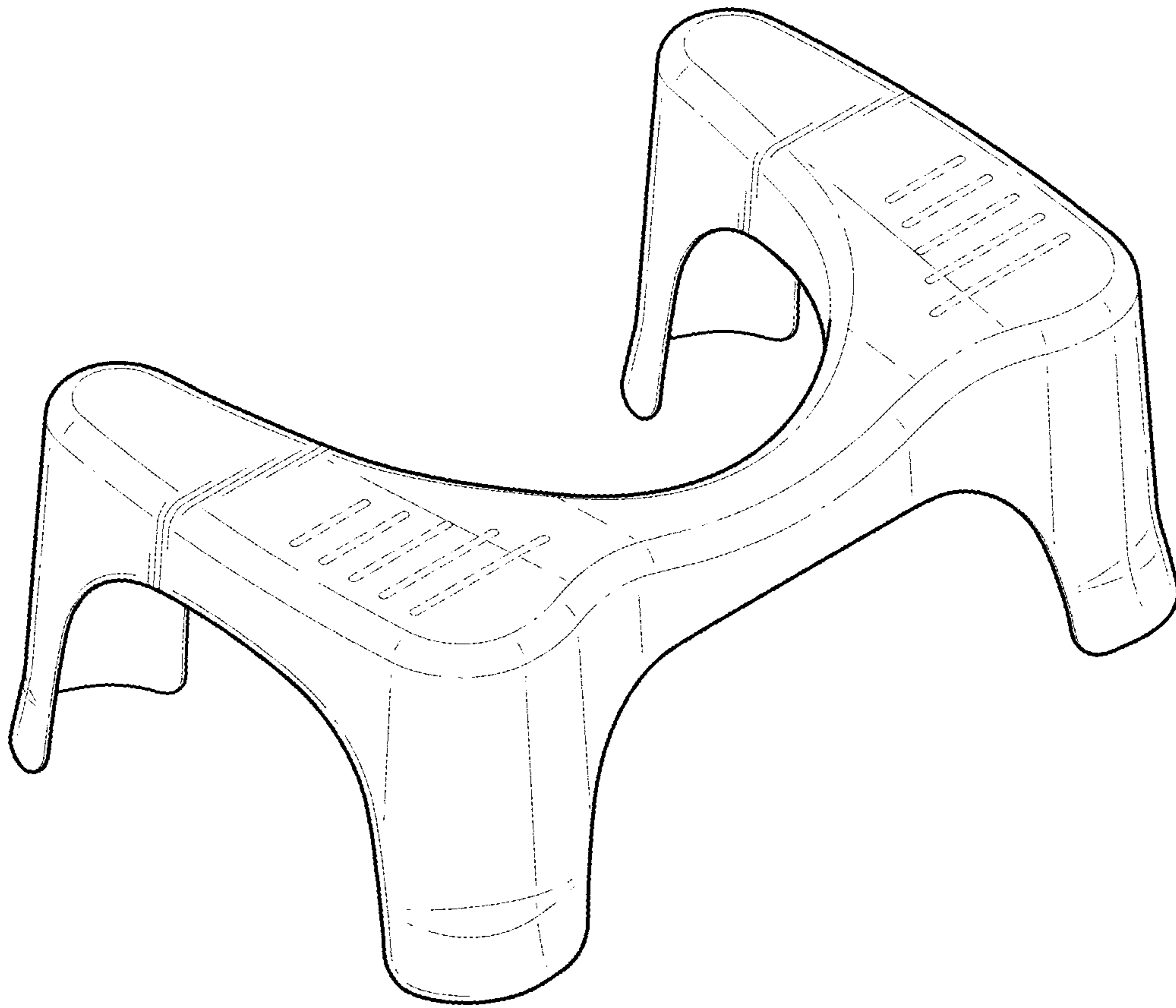
The ornamental design for a toilet footrest, as shown and described.

**DESCRIPTION**

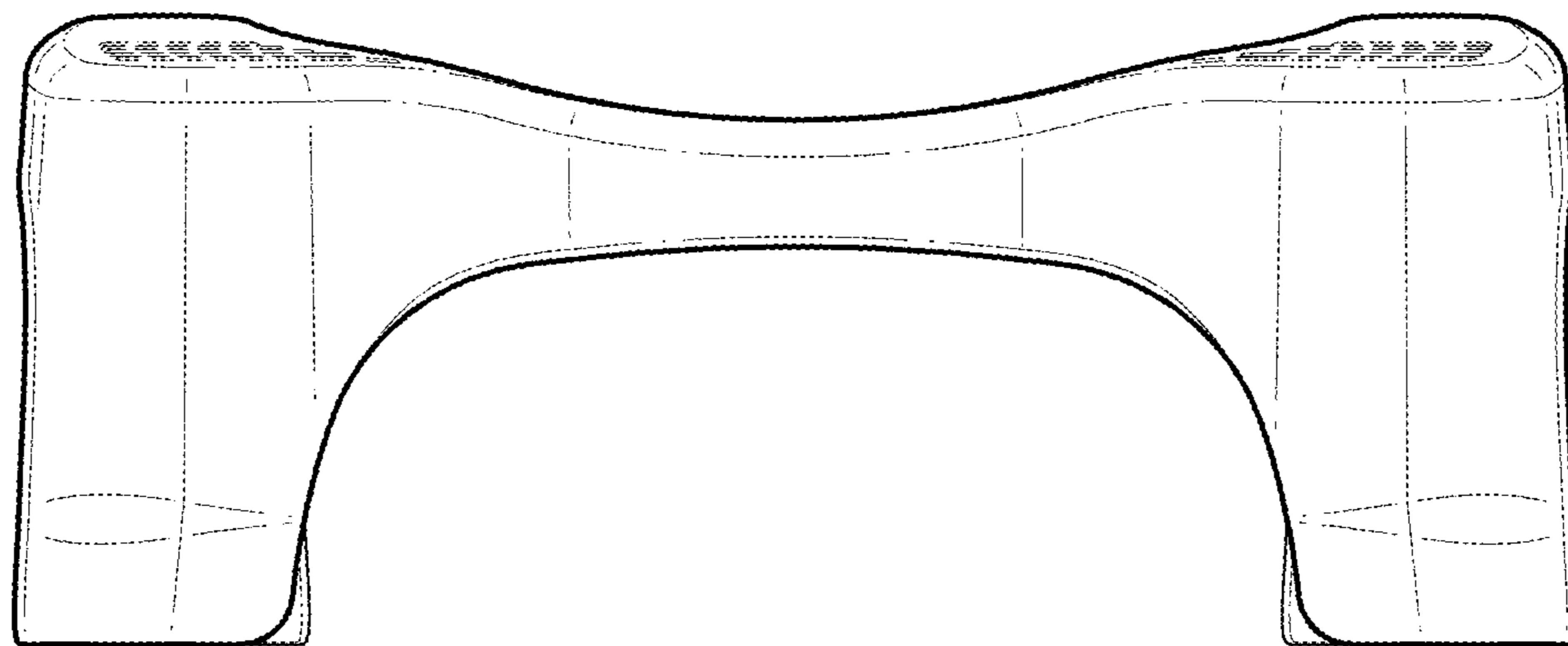
FIG. 1 is a front perspective view of a toilet footrest showing the new design;  
FIG. 2 is a front elevation view of the toilet footrest;  
FIG. 3 is a top plan view of the toilet footrest;  
FIG. 4 is a rear elevation view of the toilet footrest;  
FIG. 5 is a bottom plan view of the toilet footrest;  
FIG. 6 is a left side elevation view of the toilet footrest; and,  
FIG. 7 is a right side elevation view of the toilet footrest.  
The broken lines shown in the drawings are for the purpose of illustrating portions of the toilet footrest that form no part of the claimed design.

**1 Claim, 4 Drawing Sheets**

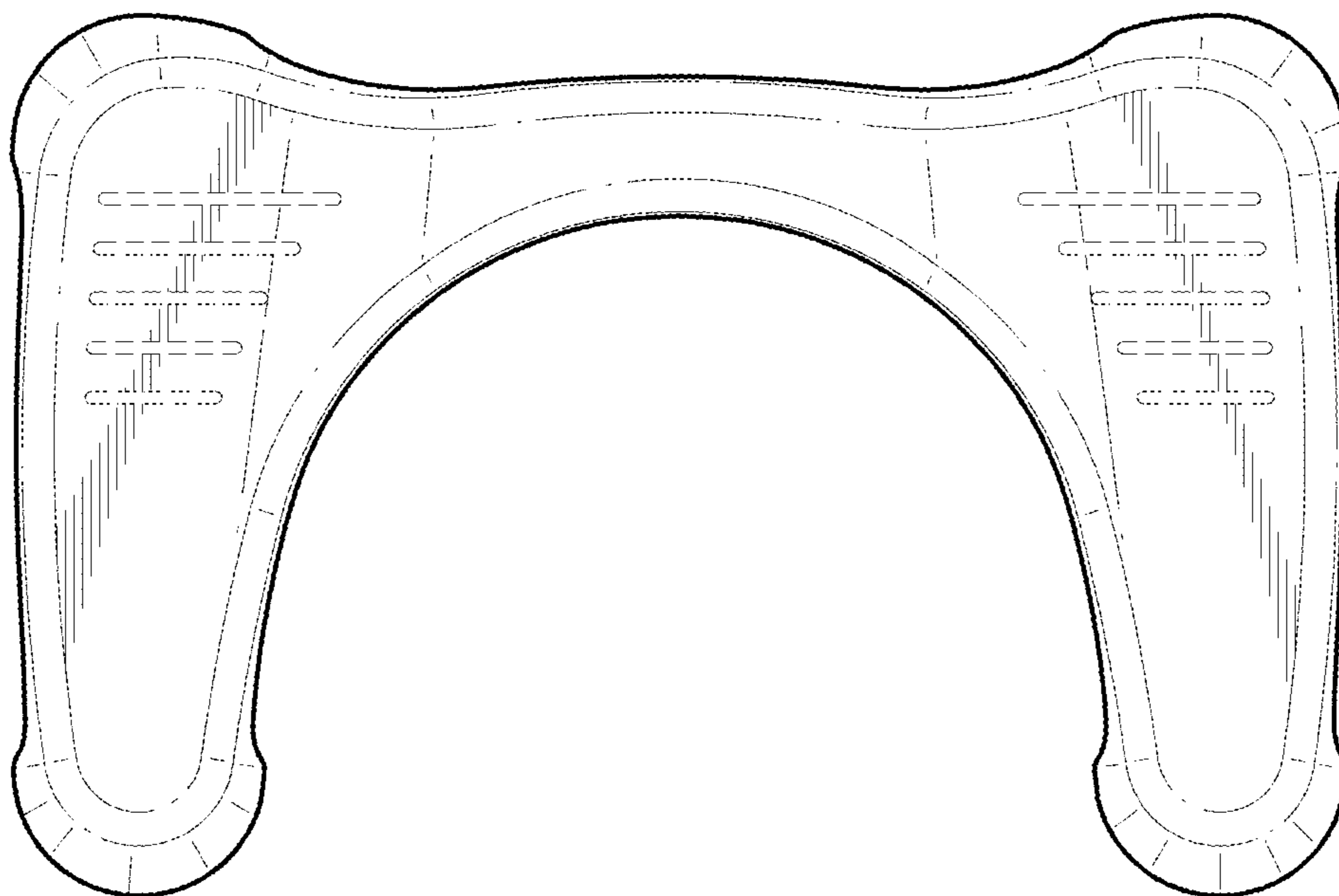




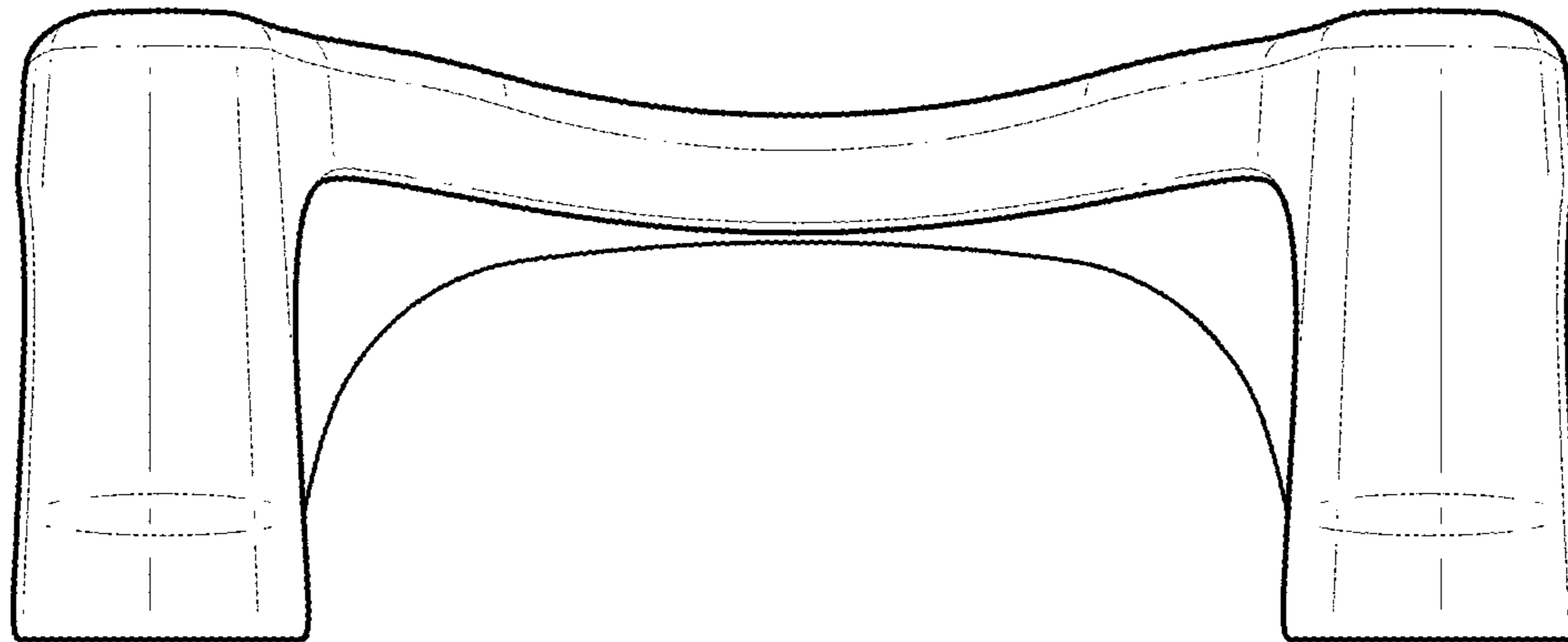
**FIG. 1**



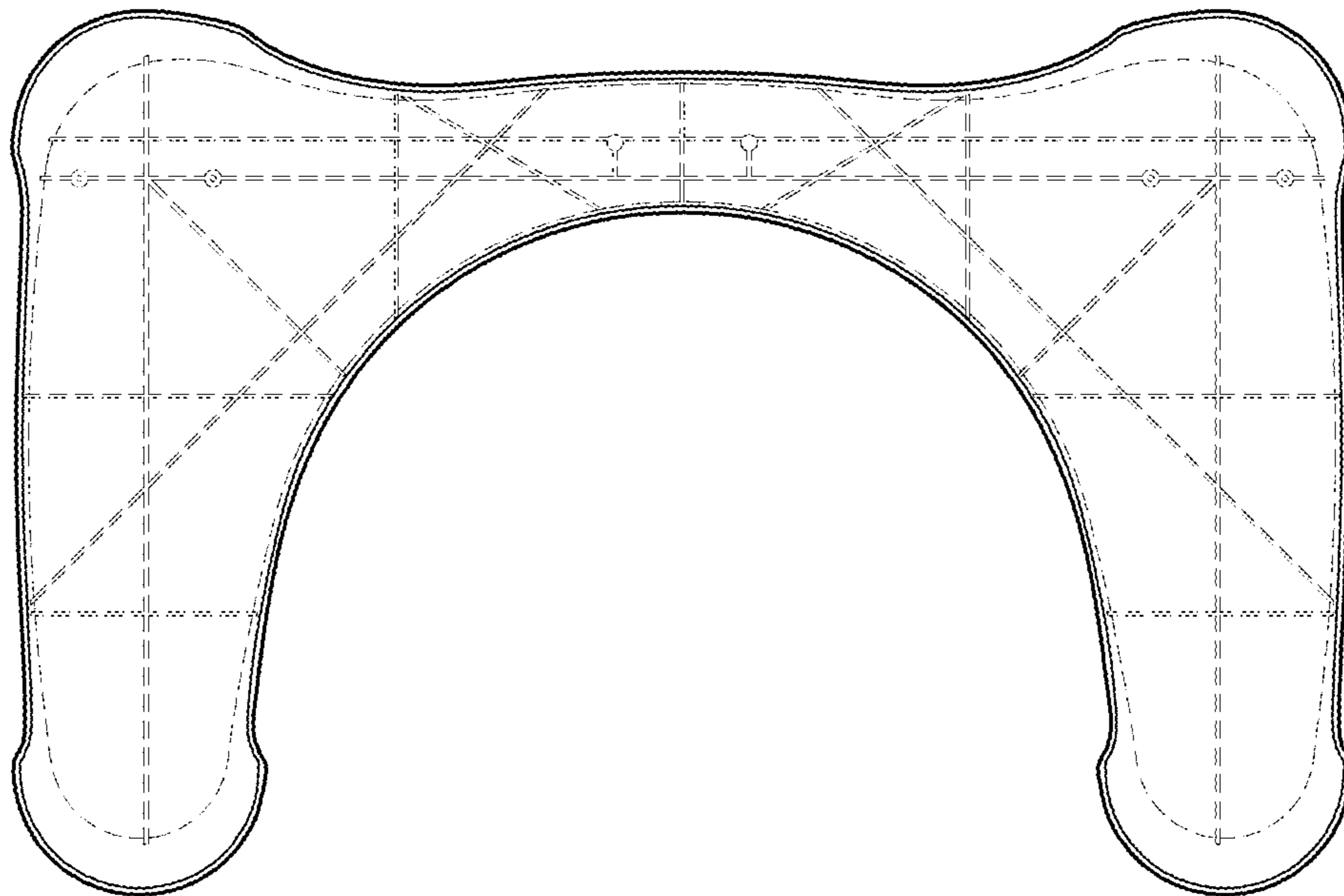
**FIG. 2**



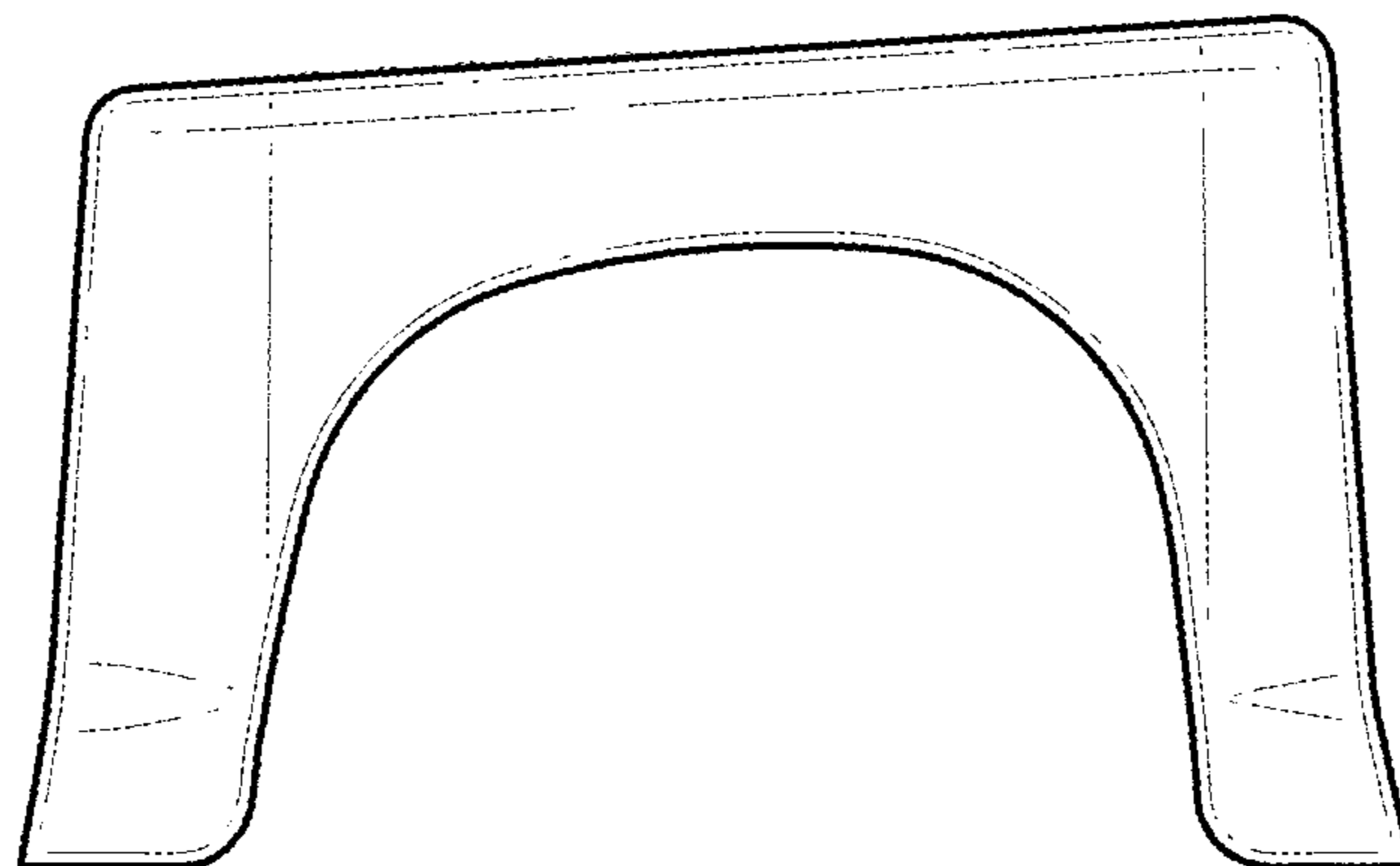
**FIG. 3**



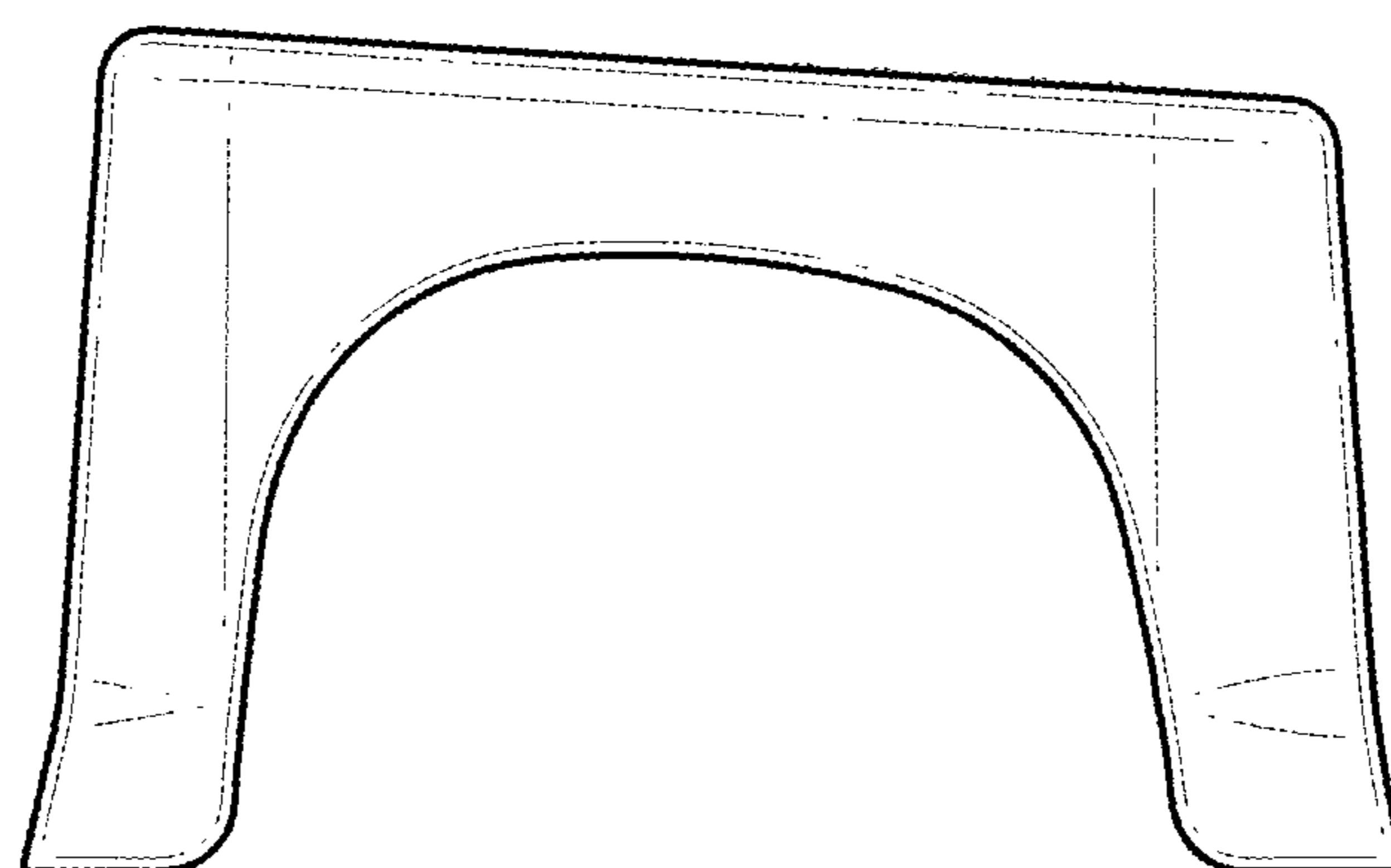
**FIG. 4**



**FIG. 5**



**FIG. 6**



**FIG. 7**