



US00D888442S

(12) **United States Design Patent**
Haun

(10) **Patent No.:** **US D888,442 S**

(45) **Date of Patent:** **** Jun. 30, 2020**

(54) **CHAIR WITH COMPARTMENT**
(71) Applicant: **James Haun**, Ojai, CA (US)
(72) Inventor: **James Haun**, Ojai, CA (US)

D722,444 S * 2/2015 Lee D6/336
D760,505 S 7/2016 Bolton et al.
D790,237 S * 6/2017 Owens D6/336
(Continued)

(**) Term: **15 Years**

FOREIGN PATENT DOCUMENTS

DE 202014100135 U1 4/2014

(21) Appl. No.: **29/679,332**

OTHER PUBLICATIONS

(22) Filed: **Feb. 5, 2019**

9 Features Prepare Every Sea [online], [site visited Apr. 17, 2020]. Available from internet, URL:<<https://www.homereserve.com/features>> (Year: 2020).*

(51) **LOC (12) Cl.** **06-01**

(52) **U.S. Cl.**
USPC **D6/336**

(Continued)

(58) **Field of Classification Search**
USPC D6/336, 334, 384, 335, 374, 375, 381
CPC A47C 31/00; A47C 7/62
See application file for complete search history.

Primary Examiner — George A Bugg
Assistant Examiner — Xavier Marti-Santos
(74) *Attorney, Agent, or Firm* — Cramer Patent & Design, PLLC; Aaron R. Cramer

(56) **References Cited**

(57) **CLAIM**

The ornamental design for a chair with a compartment, as shown and described.

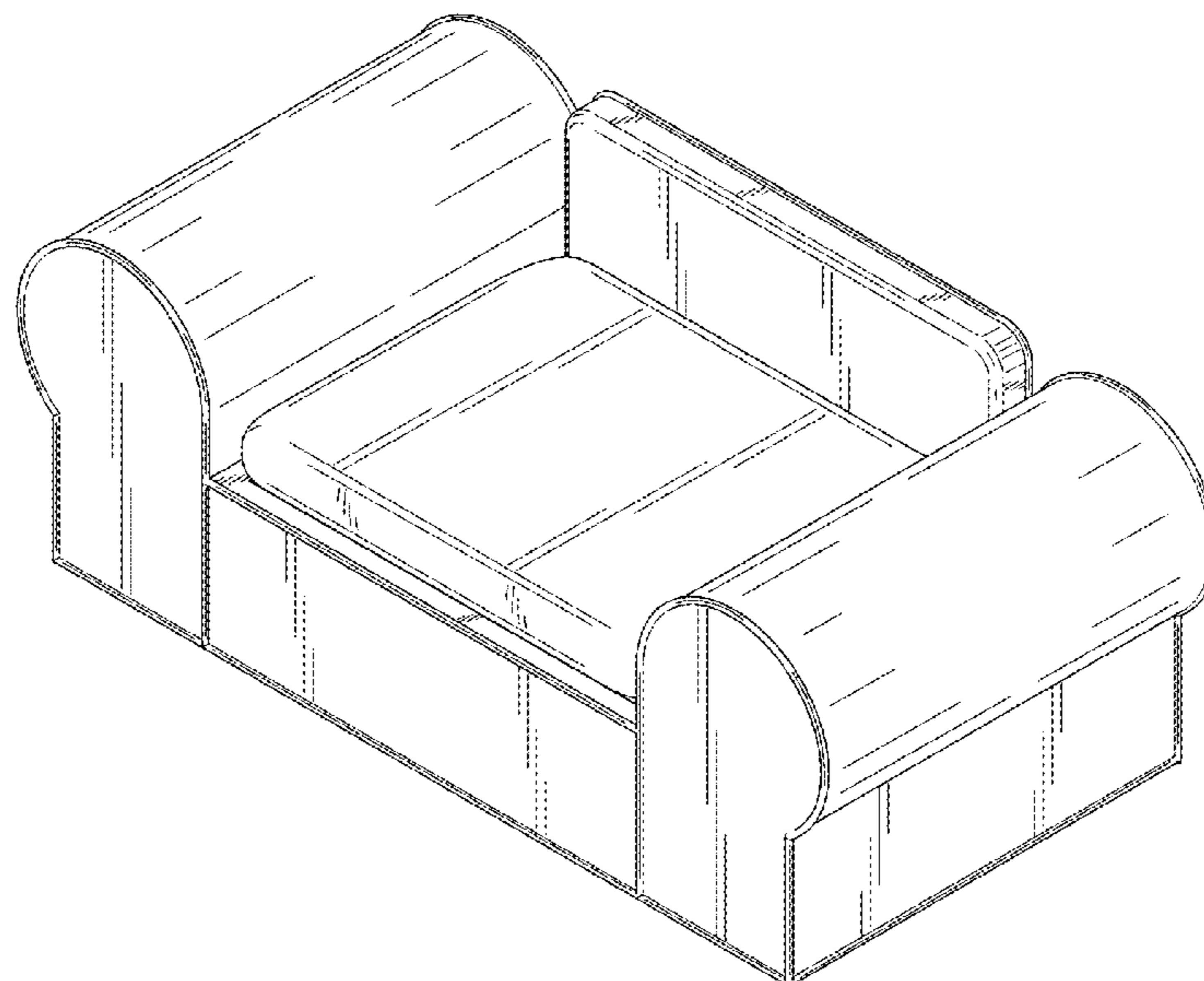
U.S. PATENT DOCUMENTS

DESCRIPTION

2,703,667	A *	3/1955	De Mello	A47C 7/62 223/107
5,329,654	A *	7/1994	Sherman	A47C 17/134 297/116
5,622,404	A *	4/1997	Menne	A47C 4/52 297/188.1
5,722,717	A	3/1998	Rettenberger		
5,727,844	A *	3/1998	O'Quinn	A47C 3/16 206/216
D403,877	S *	1/1999	Gibson	D6/334
D422,159	S *	4/2000	Lewis	D6/364
6,050,638	A *	4/2000	West, III	A47C 7/62 297/188.09
D442,809	S	5/2001	deWindt, Jr. et al.		
D499,571	S *	12/2004	Mohundro	D6/381
7,008,020	B2	3/2006	Becker et al.		
7,641,279	B1	1/2010	Curcio		
D618,929	S *	7/2010	Yeong	D6/381
D686,002	S *	7/2013	Martin	D6/334
8,585,151	B2	11/2013	Goldman et al.		

FIG. 1 is a perspective top front right view of a chair with a compartment, showing my new design;
FIG. 2 is a perspective top rear left view thereof;
FIG. 3 is a front elevation view thereof;
FIG. 4 is a rear elevation view thereof;
FIG. 5 is a right elevation view thereof;
FIG. 6 is a left elevation plan view thereof; and,
FIG. 7 is a top plan view thereof;
FIG. 8 is a bottom plan view thereof;
FIG. 9 is a perspective top front right view of a cushion of the chair removed showing the location of the compartment, and a lid of the compartment in a partially open state; and,
FIG. 10 is a cross-sectional view of the chair with the compartment taken along the line 10-10 of FIG. 9.

1 Claim, 7 Drawing Sheets



(56)

References Cited

U.S. PATENT DOCUMENTS

2007/0000047 A1* 1/2007 James A47C 17/86
5/58

2007/0236059 A1 10/2007 Hardt et al.

OTHER PUBLICATIONS

Chair with a Storage Compartment. Patent [online]. Google Patents [retrieved on Aug. 28, 2018]. Retrieved from the Internet :<URL: <https://patents.google.com/patent/DE202014100135U1/en?q=compartment+chair+OR+seat>>.

* cited by examiner

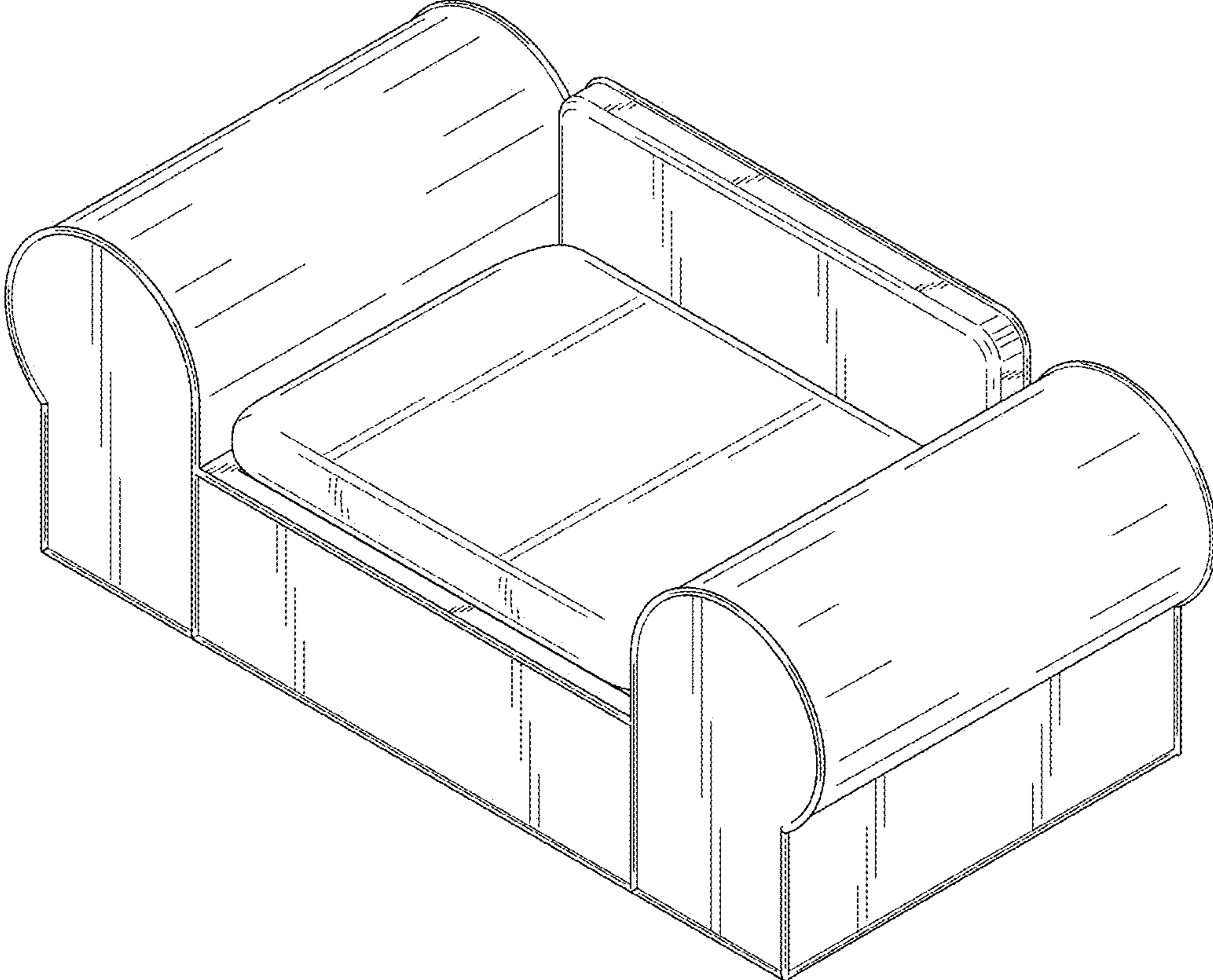


FIG. 1

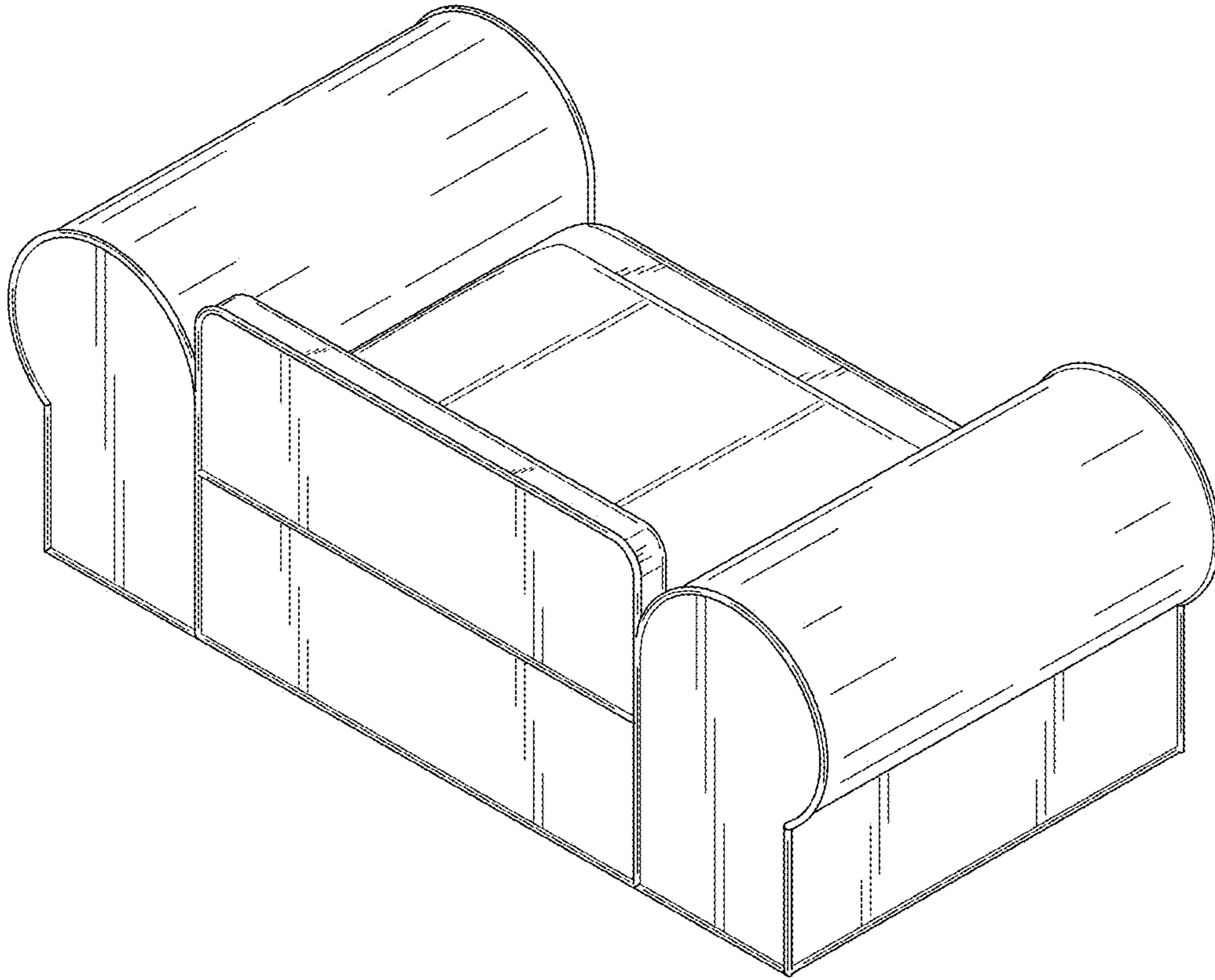


FIG. 2

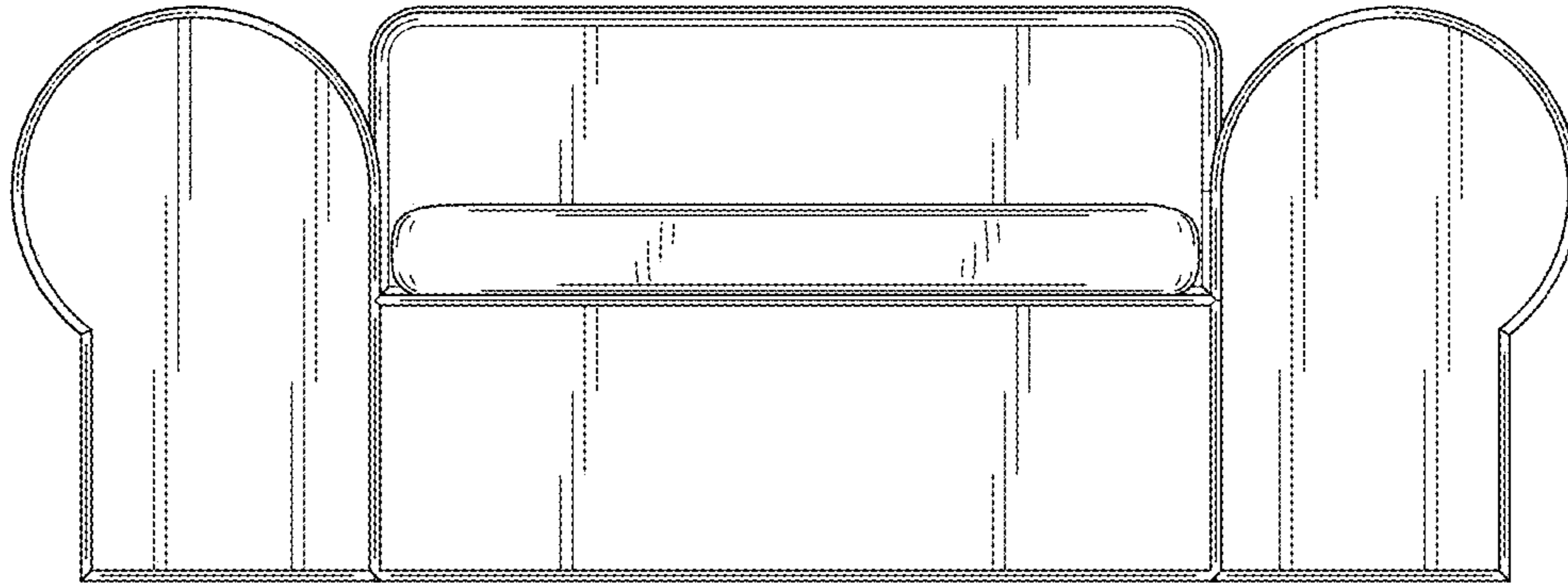


FIG. 3

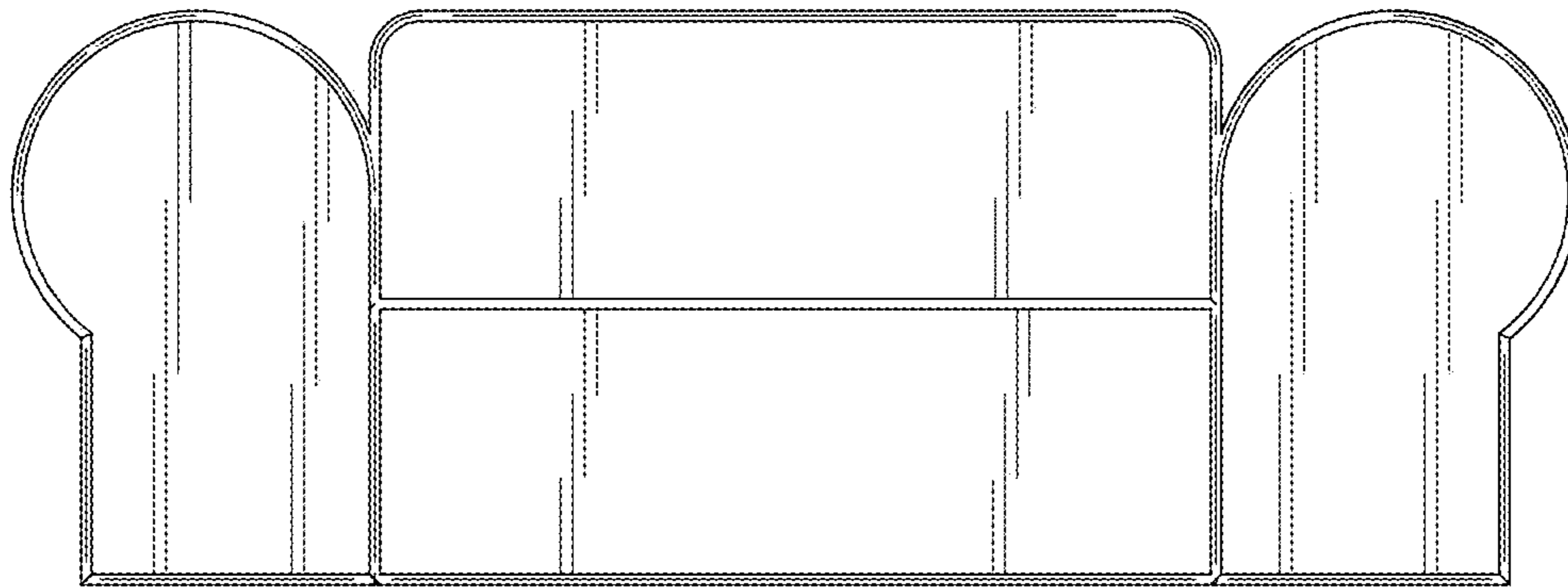


FIG. 4

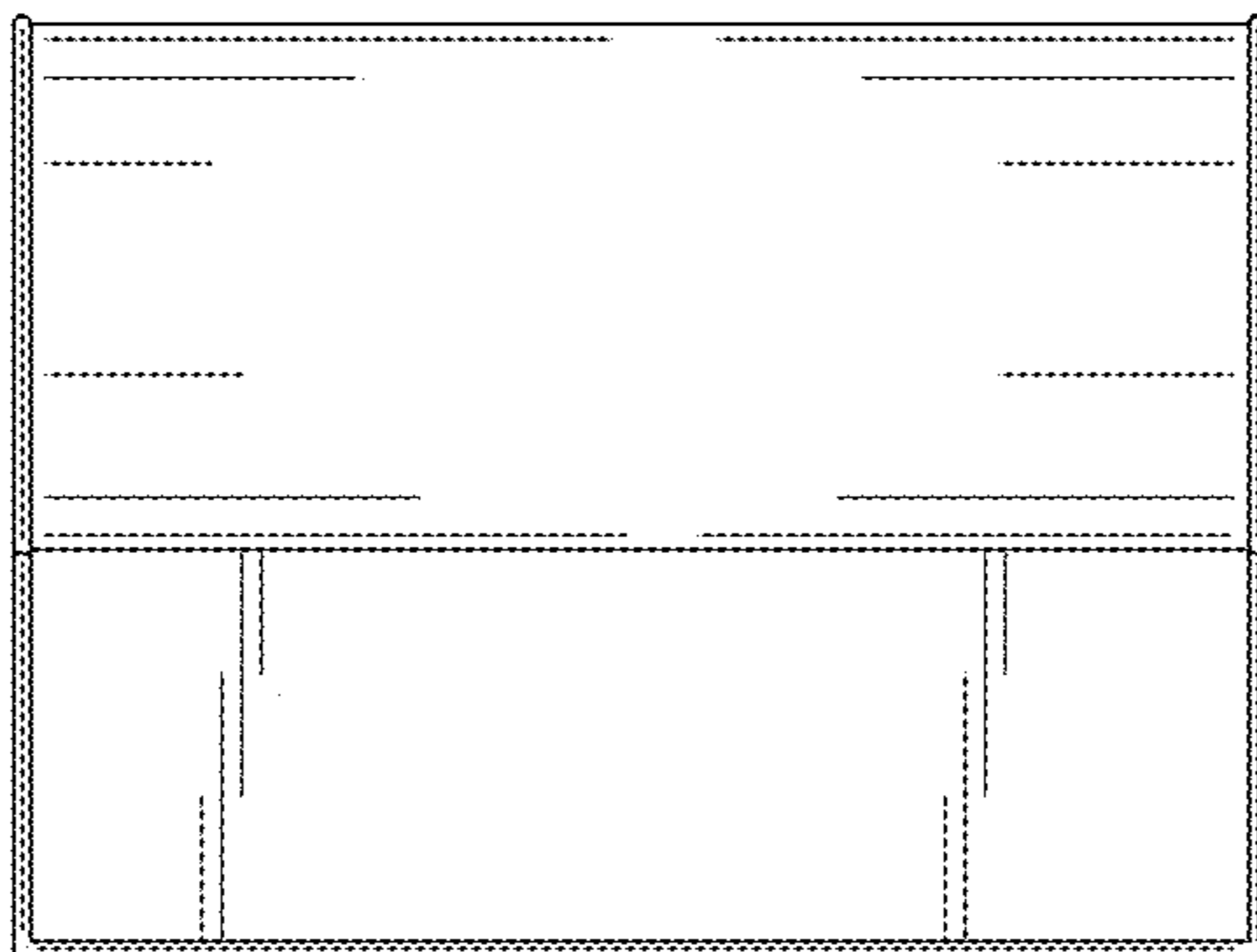


FIG. 5

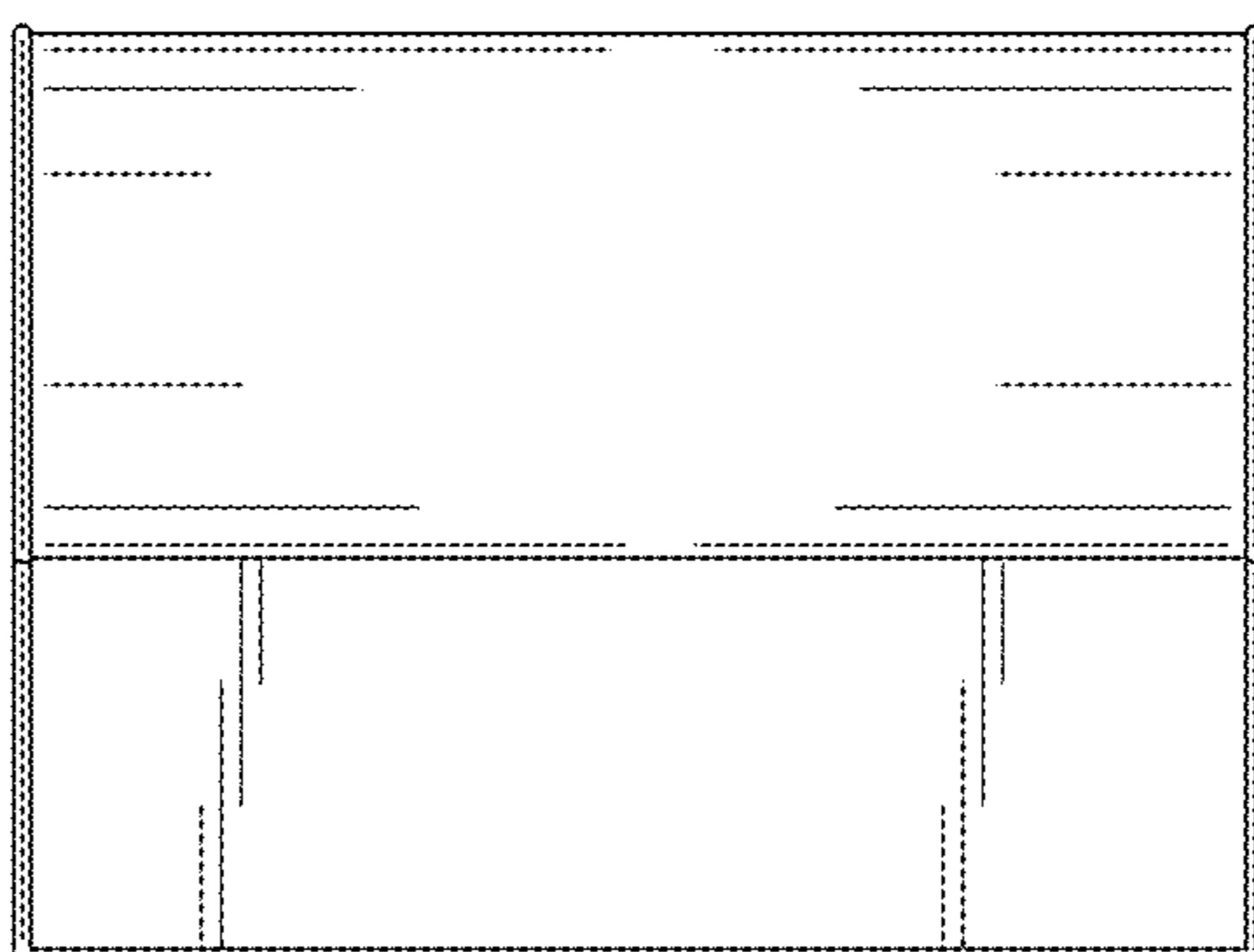


FIG. 6

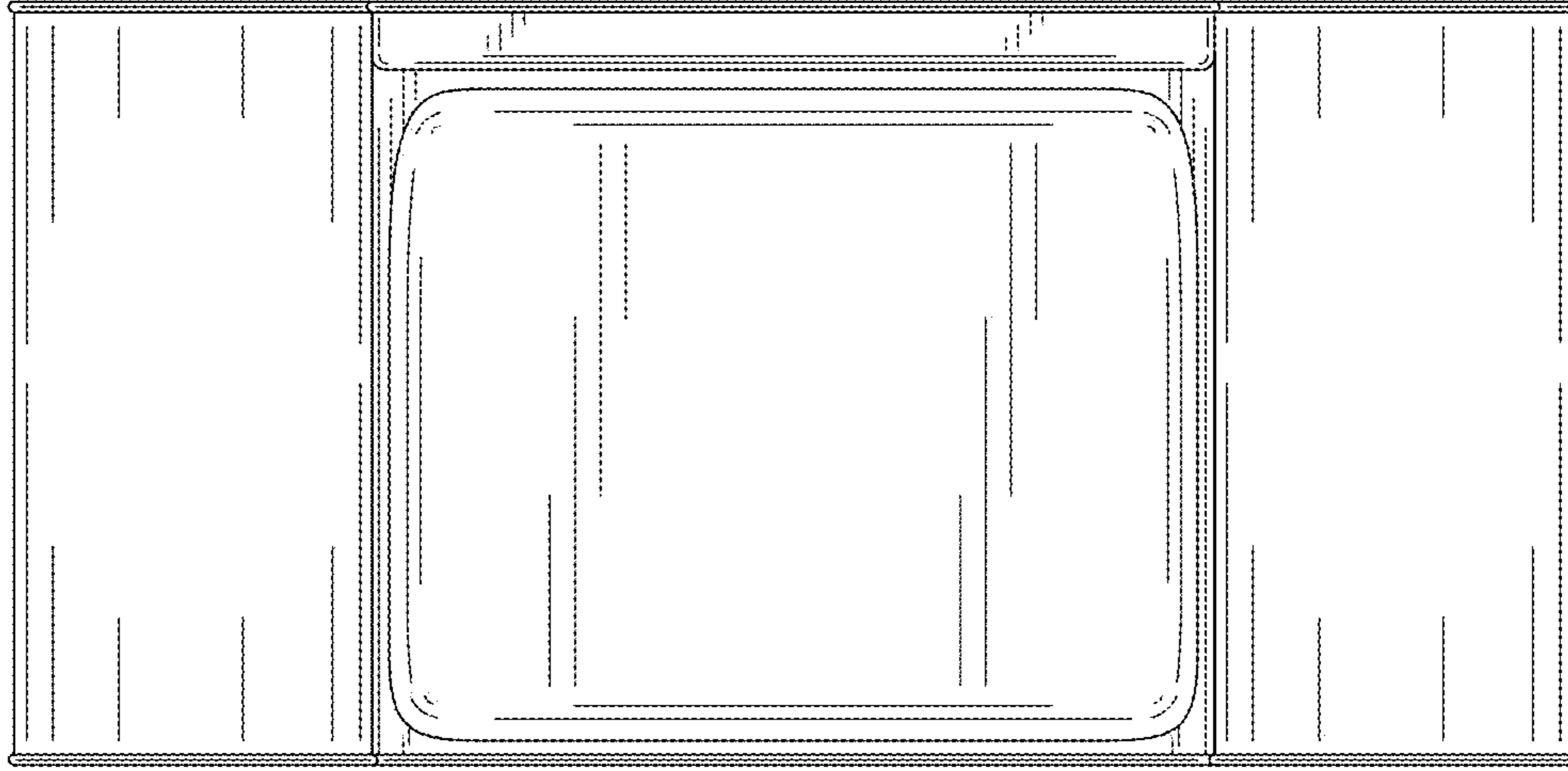


FIG. 7

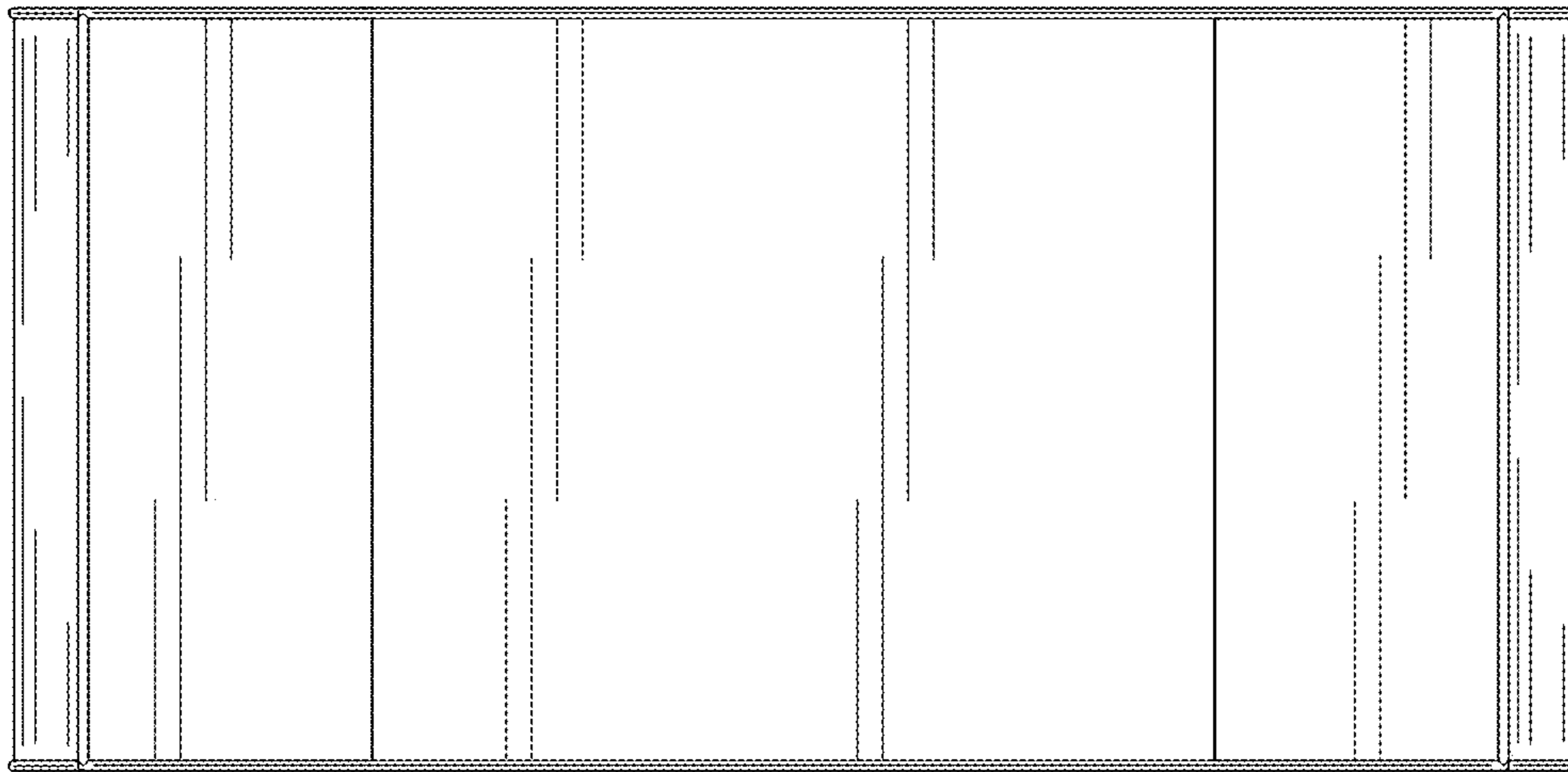


FIG. 8

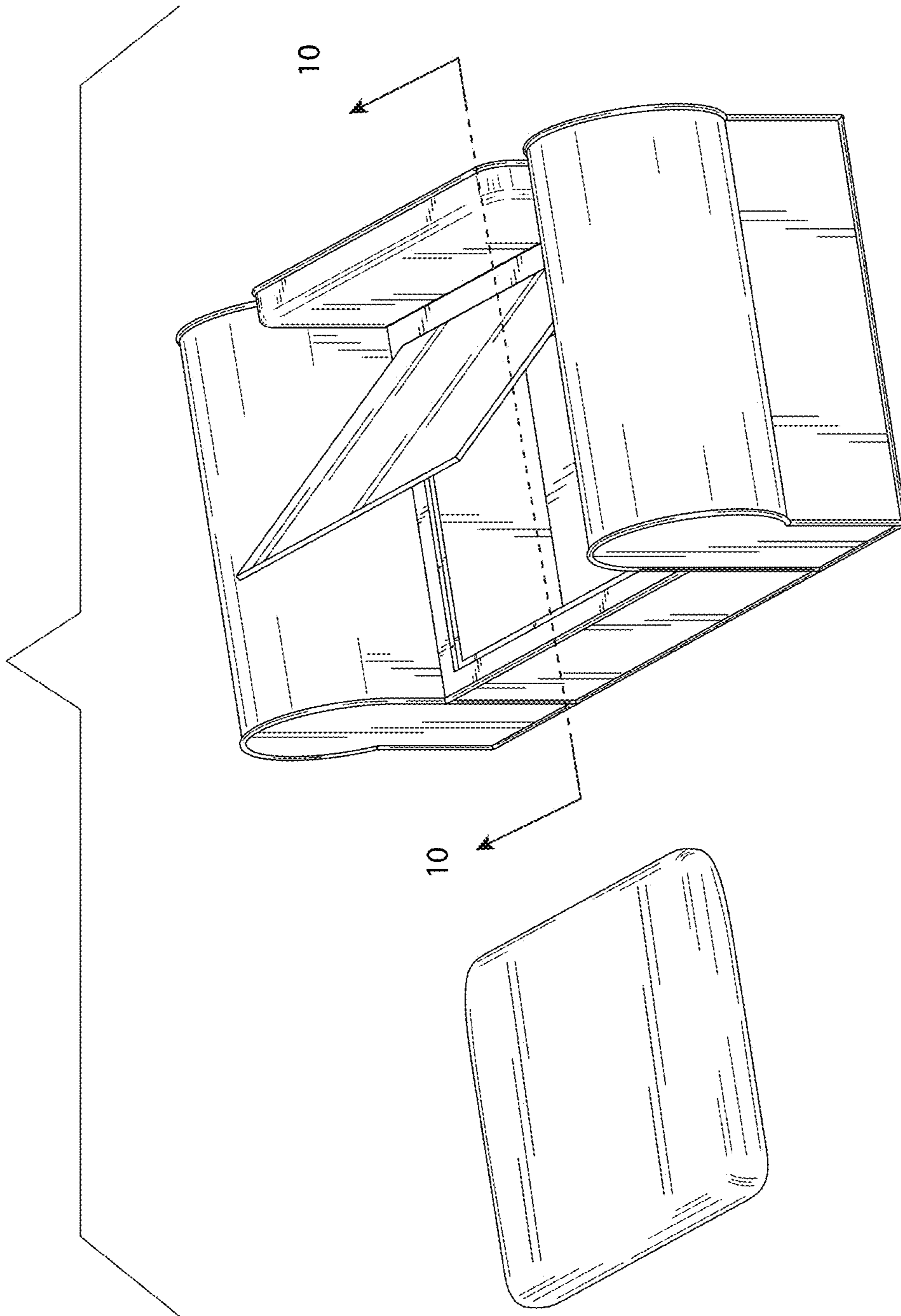


FIG. 9

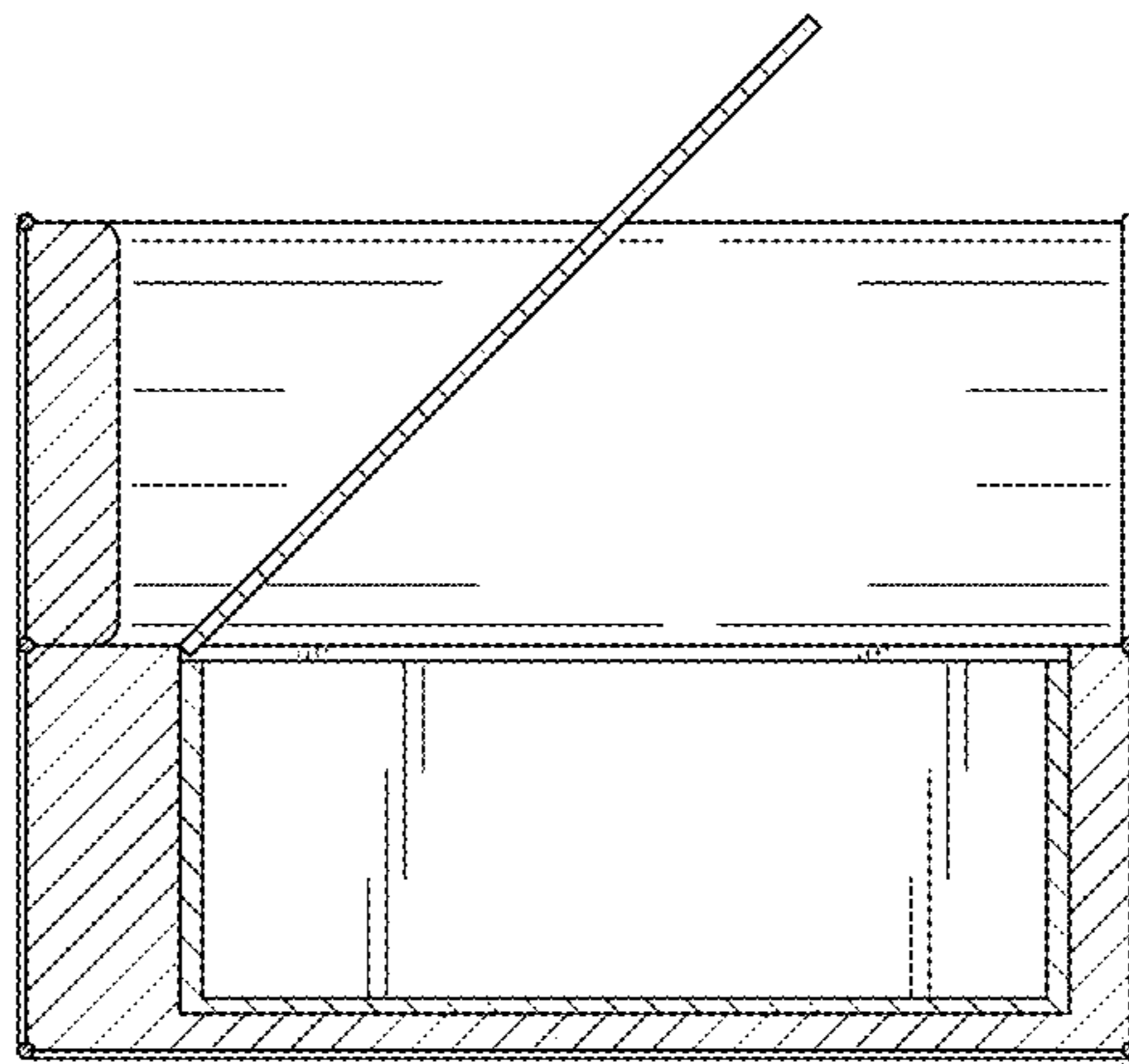


FIG. 10