



US00D888441S

(12) **United States Design Patent**
Marr

(10) **Patent No.:** **US D888,441 S**

(45) **Date of Patent:** **** Jun. 30, 2020**

(54) **ORIGAMI TABLE AND CHAIRS SET**

(71) Applicant: **Indydog Pty Ltd**, West Pymble (AU)

(72) Inventor: **Eric Marr**, West Pymble (AU)

(**) Term: **15 Years**

(21) Appl. No.: **29/657,514**

(22) Filed: **Jul. 23, 2018**

(51) **LOC (12) Cl.** **06-03**

(52) **U.S. Cl.**

USPC **D6/335**; D6/368; D21/521

(58) **Field of Classification Search**

USPC D6/329, 334–338, 368; D21/519, 521,
D21/522

CPC A47B 3/00; A47B 3/06; A47B 3/14; A47C
5/00; A47C 5/005

See application file for complete search history.

(56) **References Cited**

U.S. PATENT DOCUMENTS

- 1,961,457 A * 6/1934 Schnelder A47B 85/04
297/121
- 3,695,703 A * 10/1972 Notko A47C 5/00
297/440.12
- D352,182 S * 11/1994 Yoshimura D6/368
- 5,795,027 A * 8/1998 Howard et al. A47C 5/005
297/440.12
- D441,204 S * 5/2001 Bernich D6/334
- D447,354 S * 9/2001 Bluberg D6/334
- D550,979 S * 9/2007 Clark D6/381
- D555,925 S * 11/2007 Meres D6/368
- D571,114 S * 6/2008 Miyakawa D6/368
- D654,715 S * 2/2012 De Sa Faustini D6/368

- 10,463,146 B1 * 11/2019 Bravo A47B 13/088
- 2003/0107254 A1 * 6/2003 Willy A47B 3/06
297/440.13
- 2003/0107255 A1 * 6/2003 Willy A47B 3/06
297/440.13

OTHER PUBLICATIONS

Birch and Forest Origami Table and Chairs Set, Amazon, earliest review date Nov. 2018, site visited Dec. 16, 2019, available online at <https://us.amazon.com/Table-Chairs-Toddler-Origami-Furniture/dp/B07JQLDTC?> (Year: 2018).*

Birch and Forest Eco-Origami Kids Table and Chairs Set, birchandforest.com, site visited Dec. 16, 2019, available online at <https://us.amazon.com/Table-Chairs-Toddler-Origami-Furniture/dp/B07JQLDTC?> (Year: 2019).*

* cited by examiner

Primary Examiner — Cathron C Brooks

(74) *Attorney, Agent, or Firm* — Eric Karich; Karich & Associates

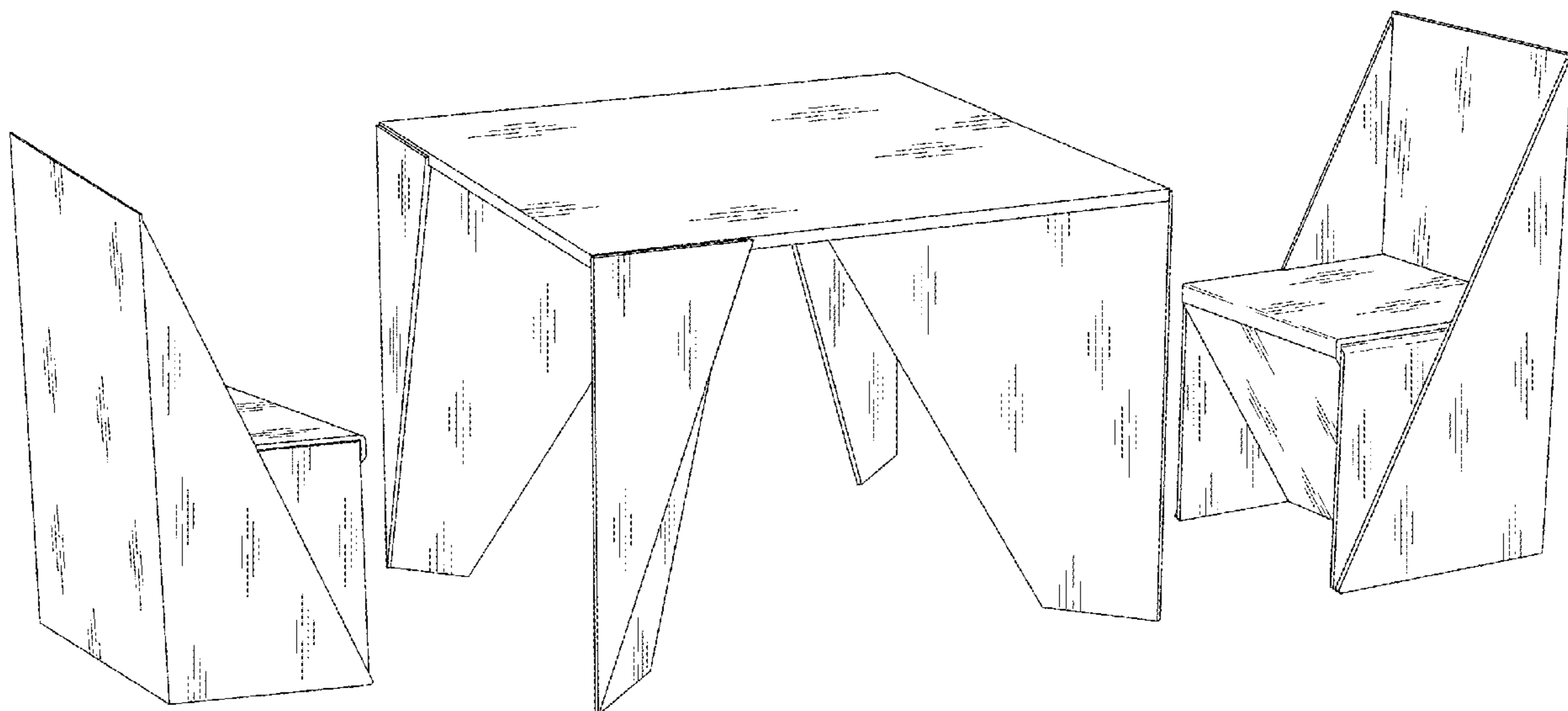
(57) **CLAIM**

The ornamental design for an origami table and chairs set, as shown and described.

DESCRIPTION

FIG. 1 is a perspective view of an origami table and chairs set, showing my new design;
FIG. 2 is a front elevational view thereof;
FIG. 3 is a rear elevational view thereof;
FIG. 4 is a left side elevational view thereof
FIG. 5 is a right side elevational view thereof;
FIG. 6 is a top plan view thereof; and,
FIG. 7 is a bottom plan view thereof.

1 Claim, 5 Drawing Sheets



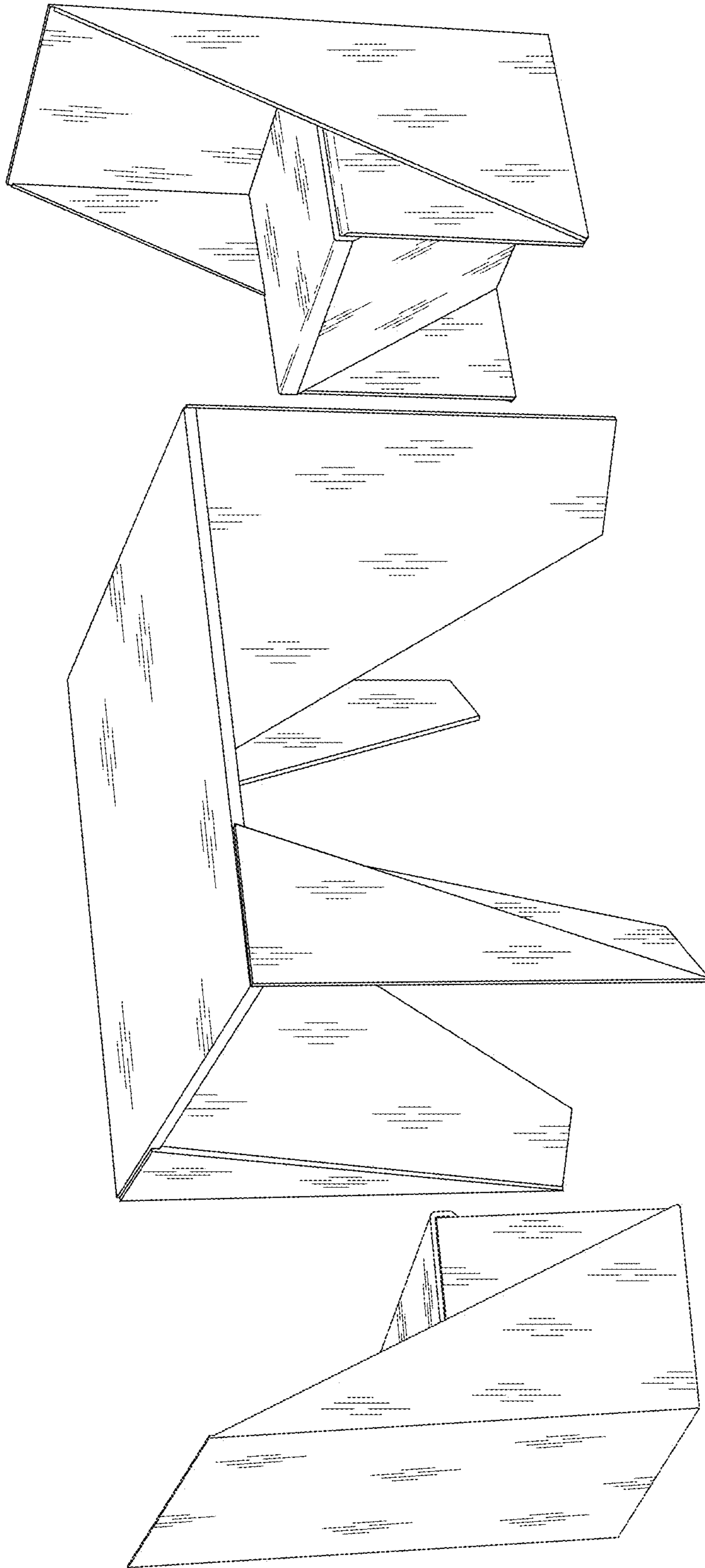


Fig. 1

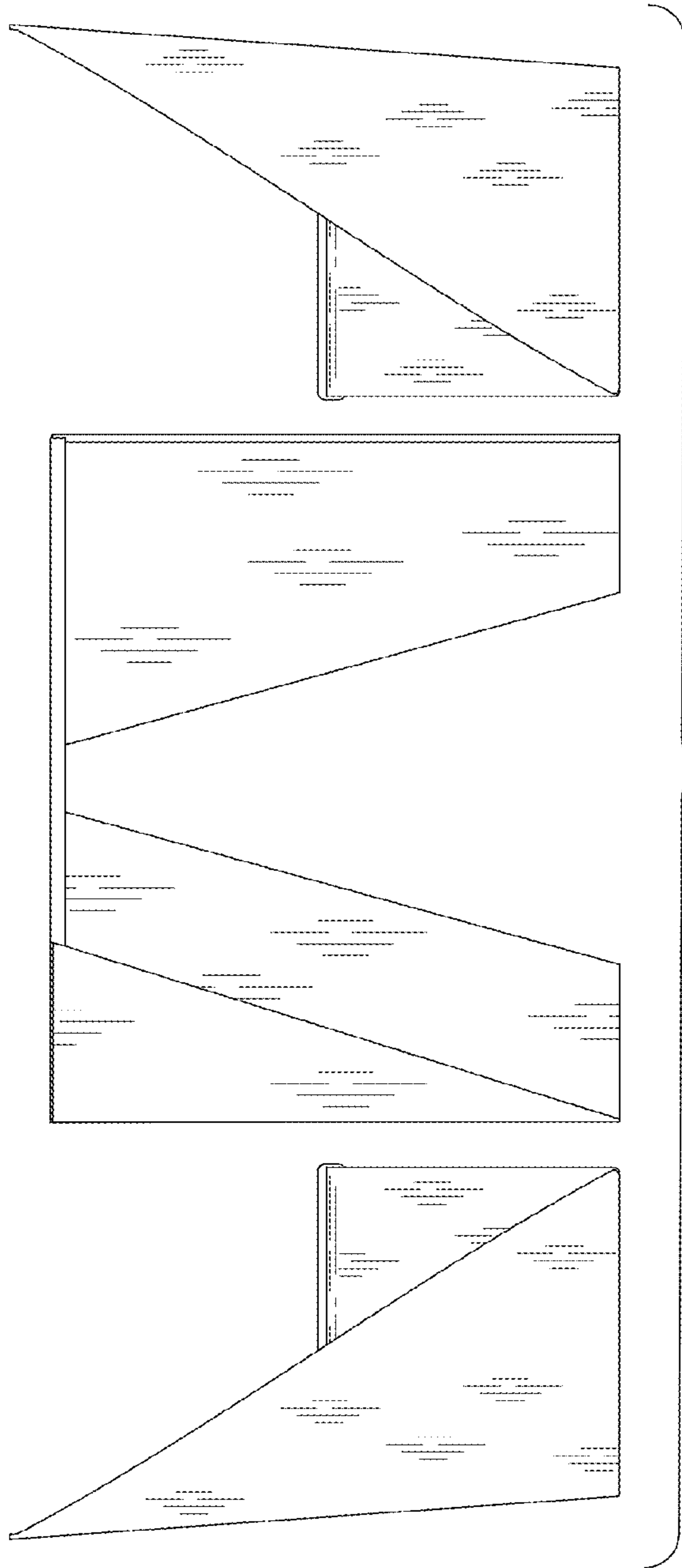


Fig. 2

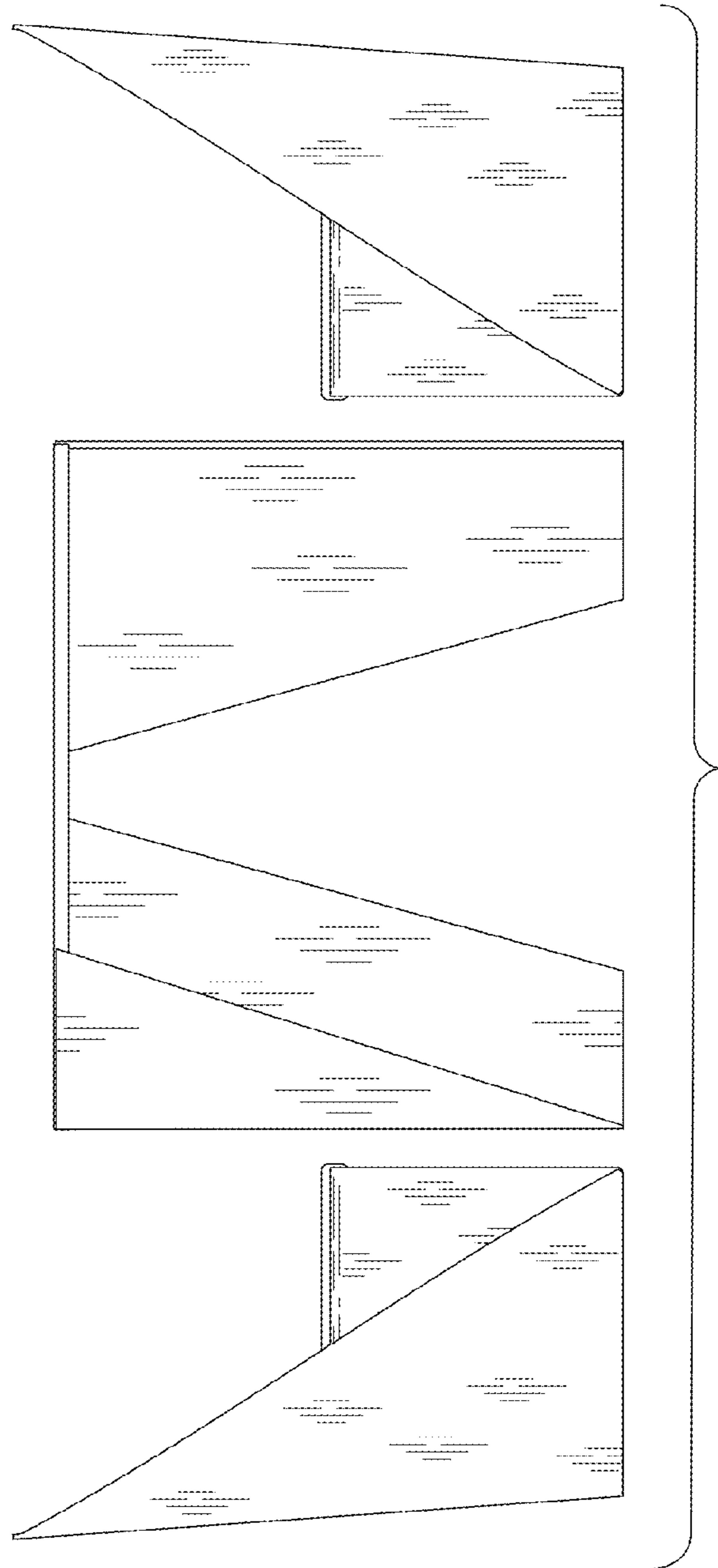


Fig. 3

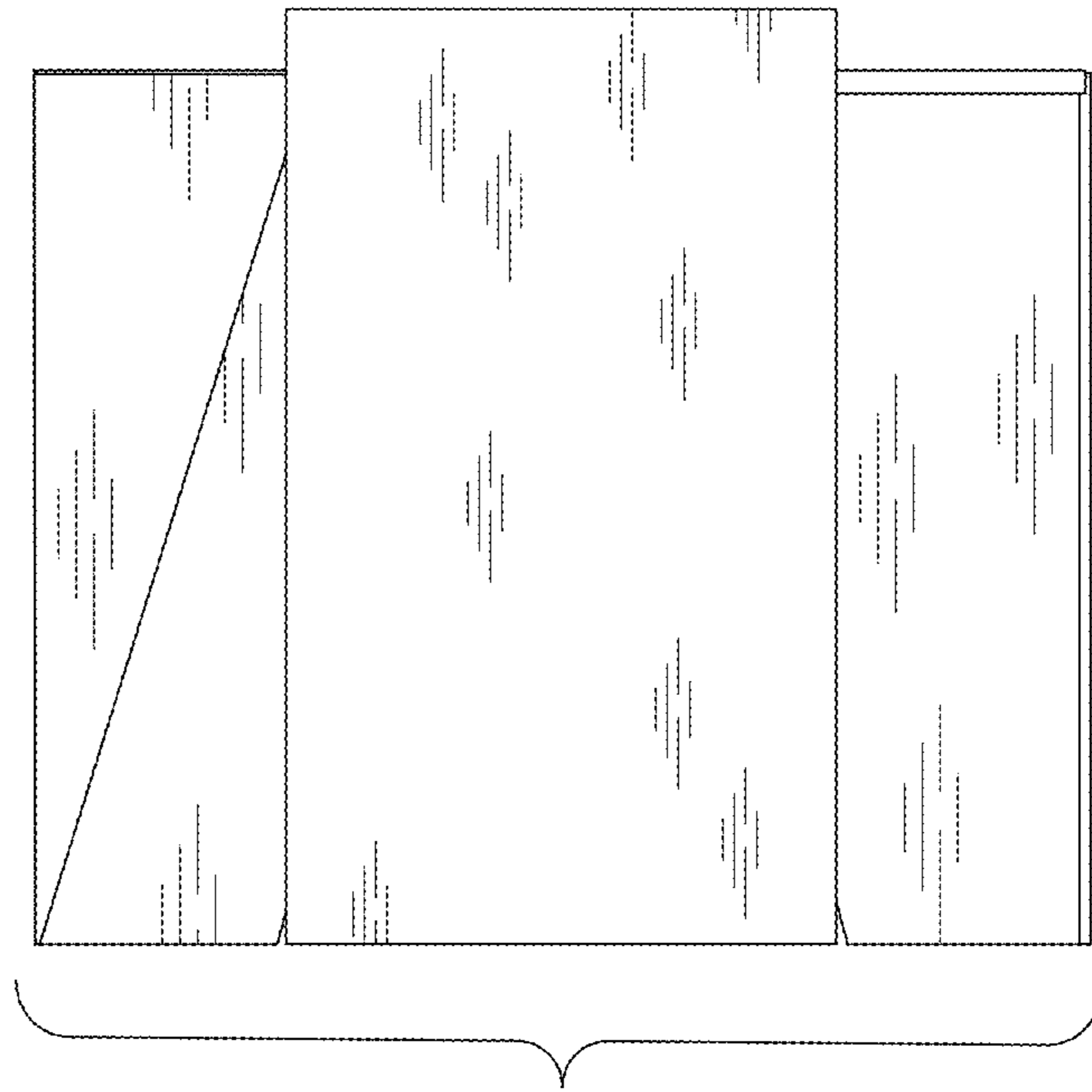


Fig. 4

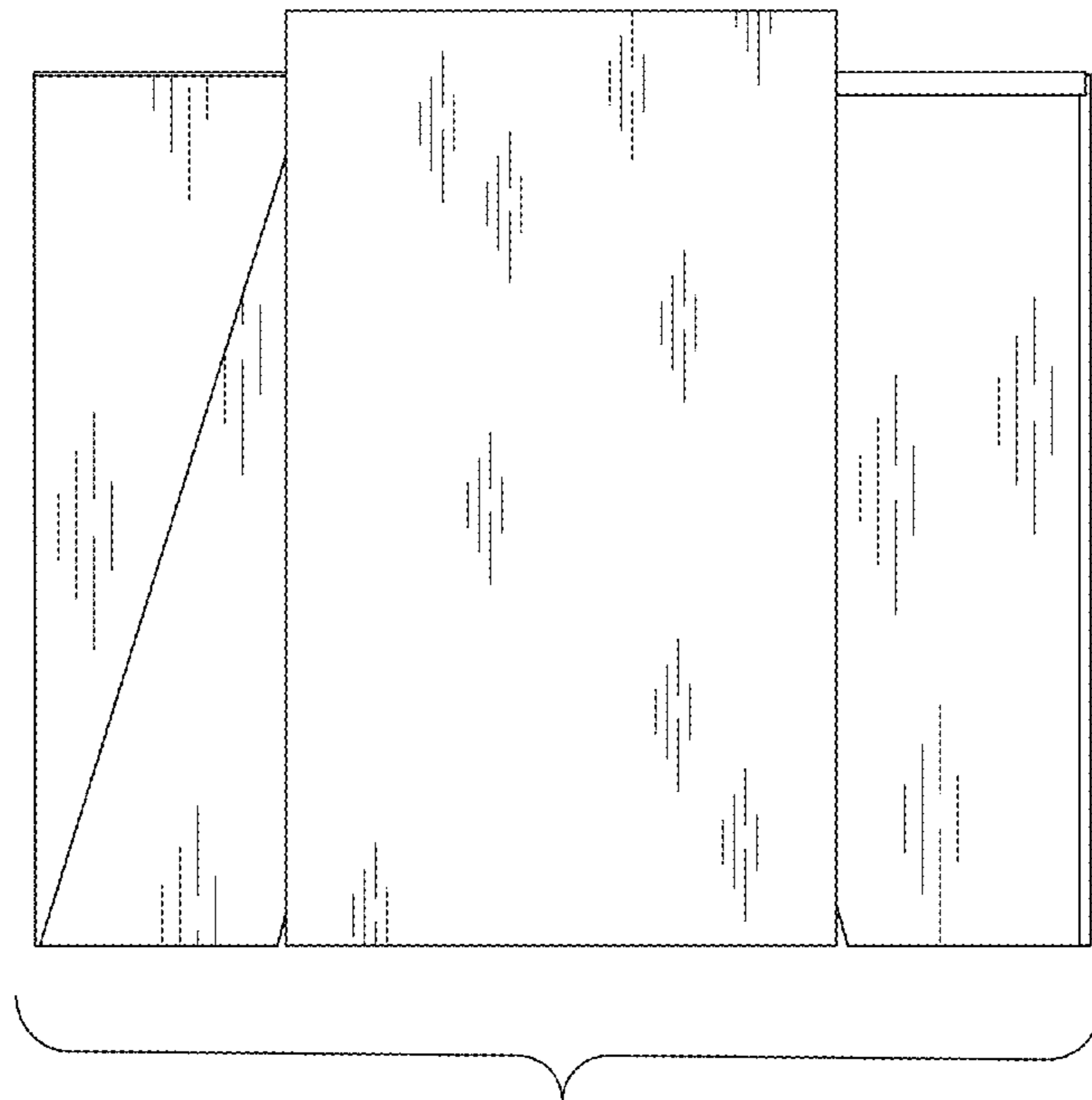


Fig. 5

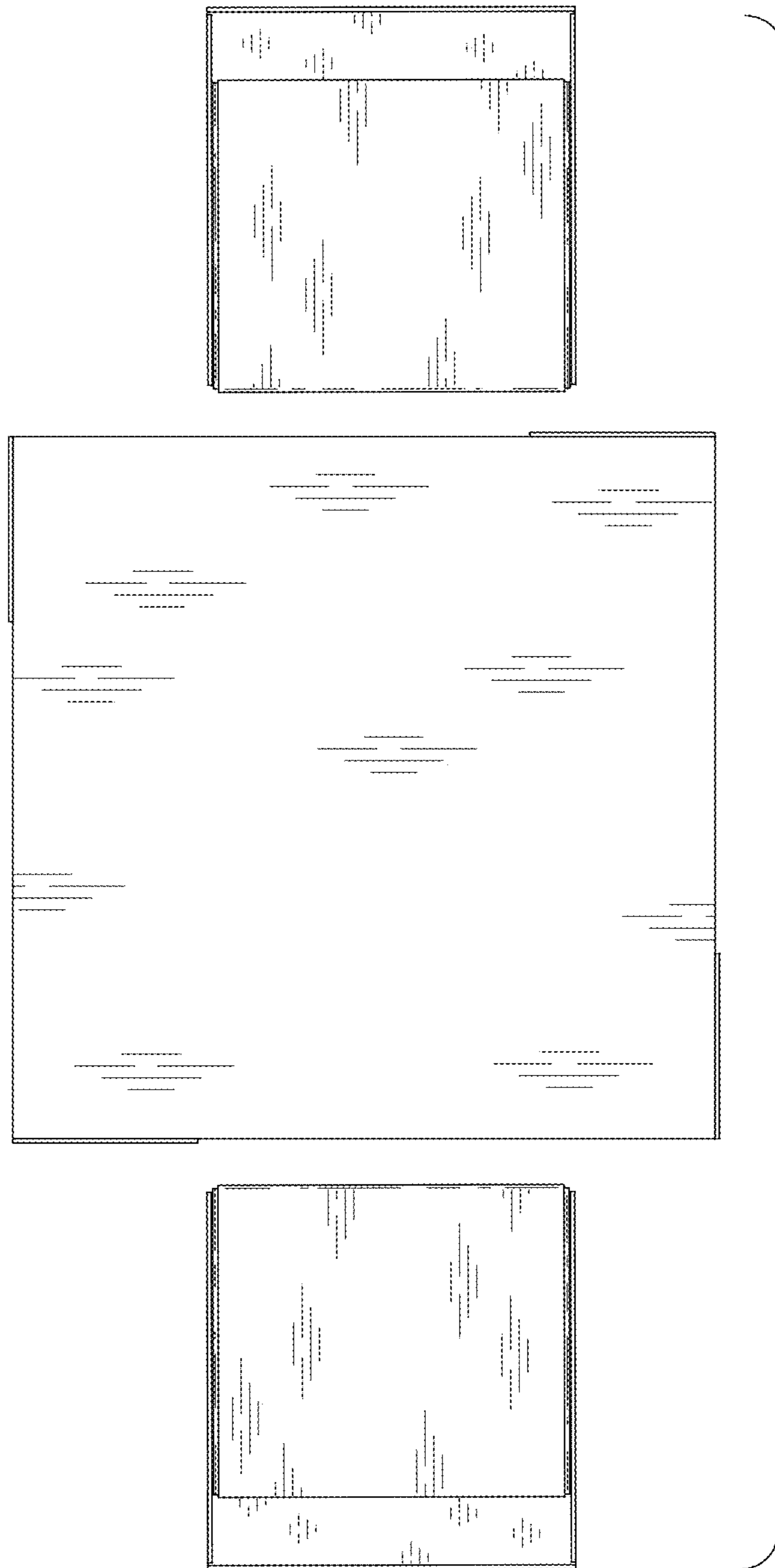


Fig. 6

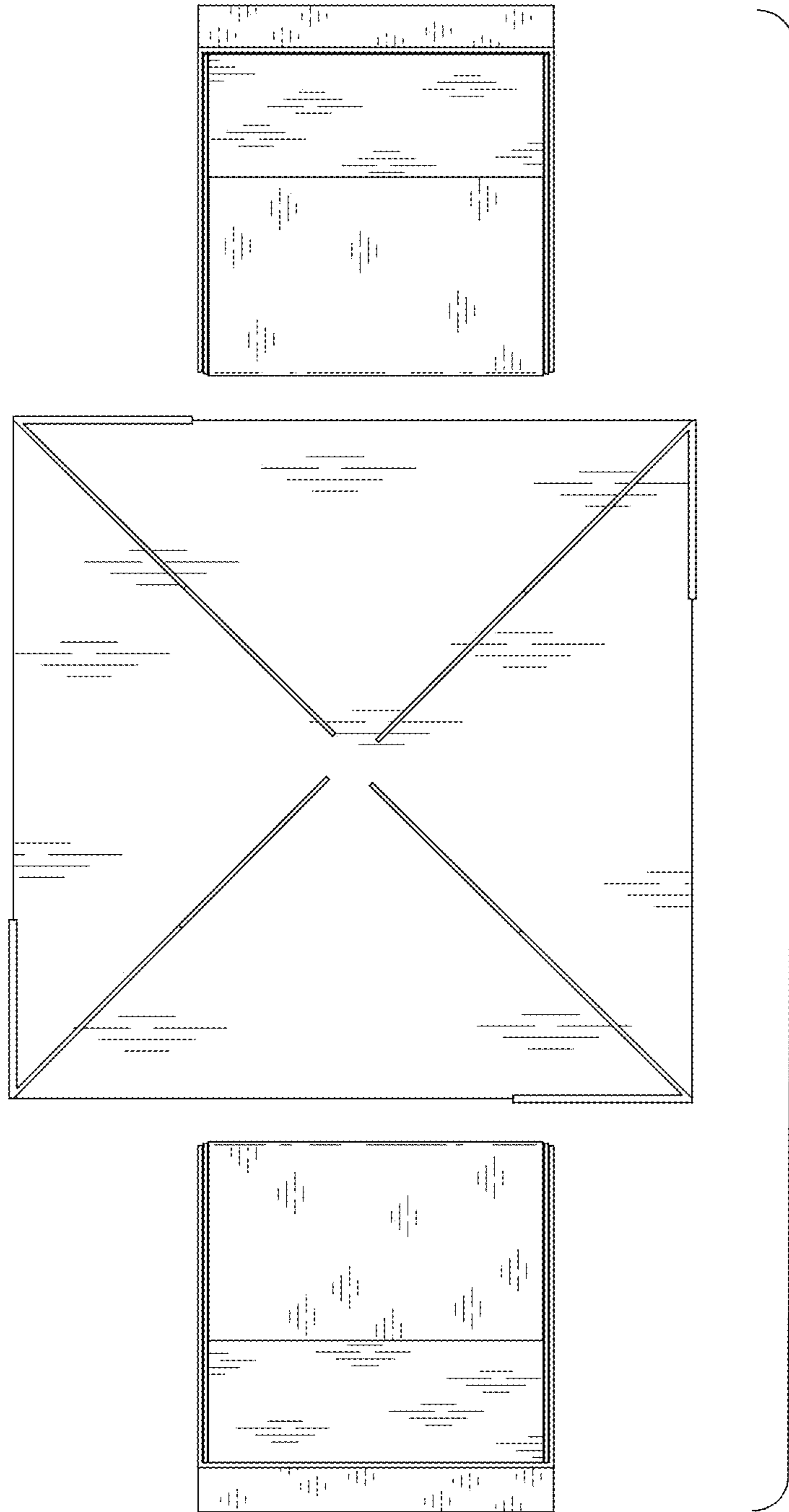


Fig. 7