



US00D888438S

(12) **United States Design Patent**
Jiao

(10) **Patent No.:** **US D888,438 S**
(45) **Date of Patent:** **** *Jun. 30, 2020**

- (54) **MIRROR**
- (71) Applicant: **Ce Jiao**, Guangzhou (CN)
- (72) Inventor: **Ce Jiao**, Guangzhou (CN)
- (*) Notice: This patent is subject to a terminal disclaimer.
- (**) Term: **15 Years**
- (21) Appl. No.: **29/720,481**
- (22) Filed: **Jan. 14, 2020**
- (51) **LOC (12) Cl.** **06-06**
- (52) **U.S. Cl.**
USPC **D6/312**
- (58) **Field of Classification Search**
USPC D6/300-314
CPC ... A47G 1/00; A47G 1/02; A47G 1/06; A47G 1/0616; A47G 1/14; A47G 1/141; A45D 42/00; A45D 42/08; A45D 42/14; A45D 42/16; A45D 42/10
See application file for complete search history.

(56) **References Cited**

U.S. PATENT DOCUMENTS

- D424,814 S * 5/2000 Fanioudakis D6/312
- 6,099,133 A * 8/2000 Wright A45D 42/12
359/879
- D438,389 S * 3/2001 Ross D6/312
- 6,220,717 B1 * 4/2001 Pastore A45D 42/16
248/466
- D444,634 S * 7/2001 Dodson D6/312
- D463,824 S 10/2002 Kan
- D495,152 S 8/2004 Pulini

- D574,159 S * 8/2008 Howard D6/310
- 8,157,394 B1 * 4/2012 Downing G02B 7/182
248/476
- D661,498 S * 6/2012 Wang G09F 7/04
D6/312
- D713,056 S * 9/2014 Gulick D25/68
- D775,309 S * 12/2016 Newman D22/199
- D824,681 S 8/2018 Vaughn
- D846,890 S * 4/2019 Smrstick D6/309

* cited by examiner

Primary Examiner — Deanna L Pratt

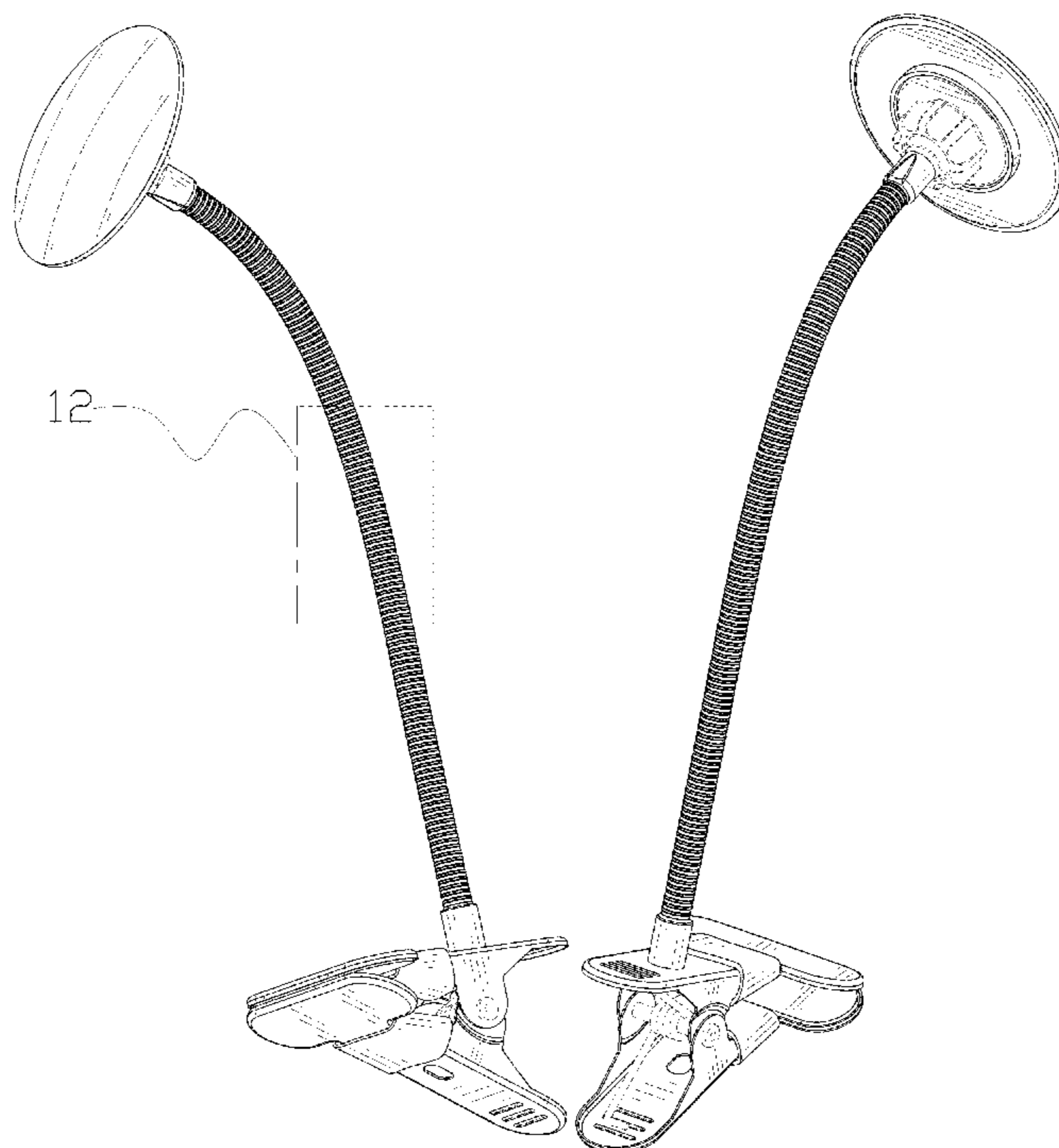
(57) **CLAIM**

The ornamental design for a mirror, as shown and described.

DESCRIPTION

FIG. 1 is a perspective view of a mirror showing my new design;
 FIG. 2 is another perspective view thereof;
 FIG. 3 is a front elevational view thereof;
 FIG. 4 is a rear elevational view thereof;
 FIG. 5 is a left side elevational view thereof;
 FIG. 6 is a right side elevational view thereof;
 FIG. 7 is a top plan view thereof;
 FIG. 8 is a bottom plan view thereof;
 FIG. 9 is a perspective view of the mirror where the mirror is in a configuration of use;
 FIG. 10 is a perspective view of the mirror where the mirror is in another configuration of use;
 FIG. 11 is a perspective view of the mirror where a mirror is separated from a stand; and,
 FIG. 12 is an enlarged view of portion 12 shown in FIG. 1. The broken lines in the drawings depict portions of the mirror that form no part of the claimed design.

1 Claim, 12 Drawing Sheets



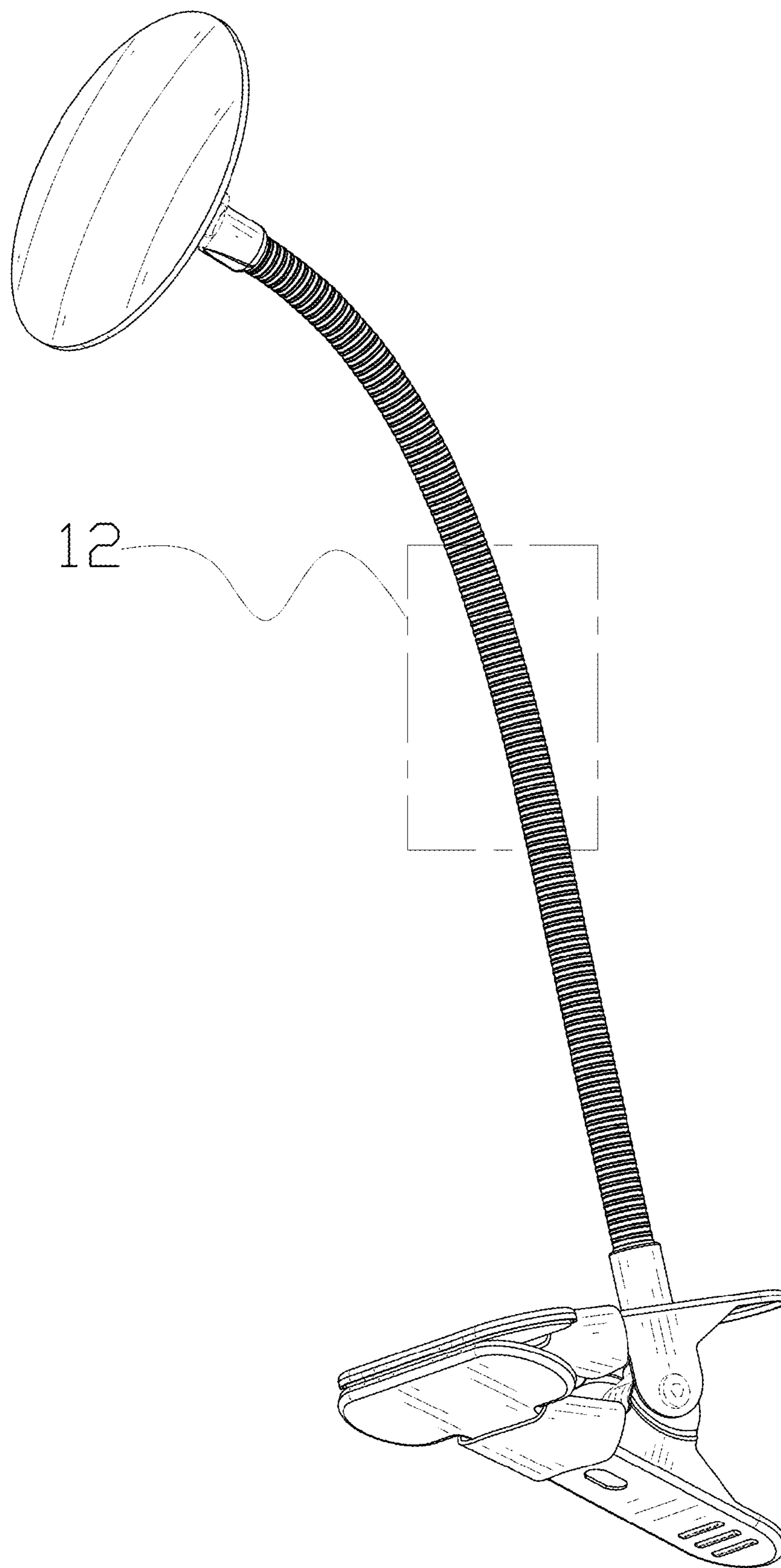


FIG. 1

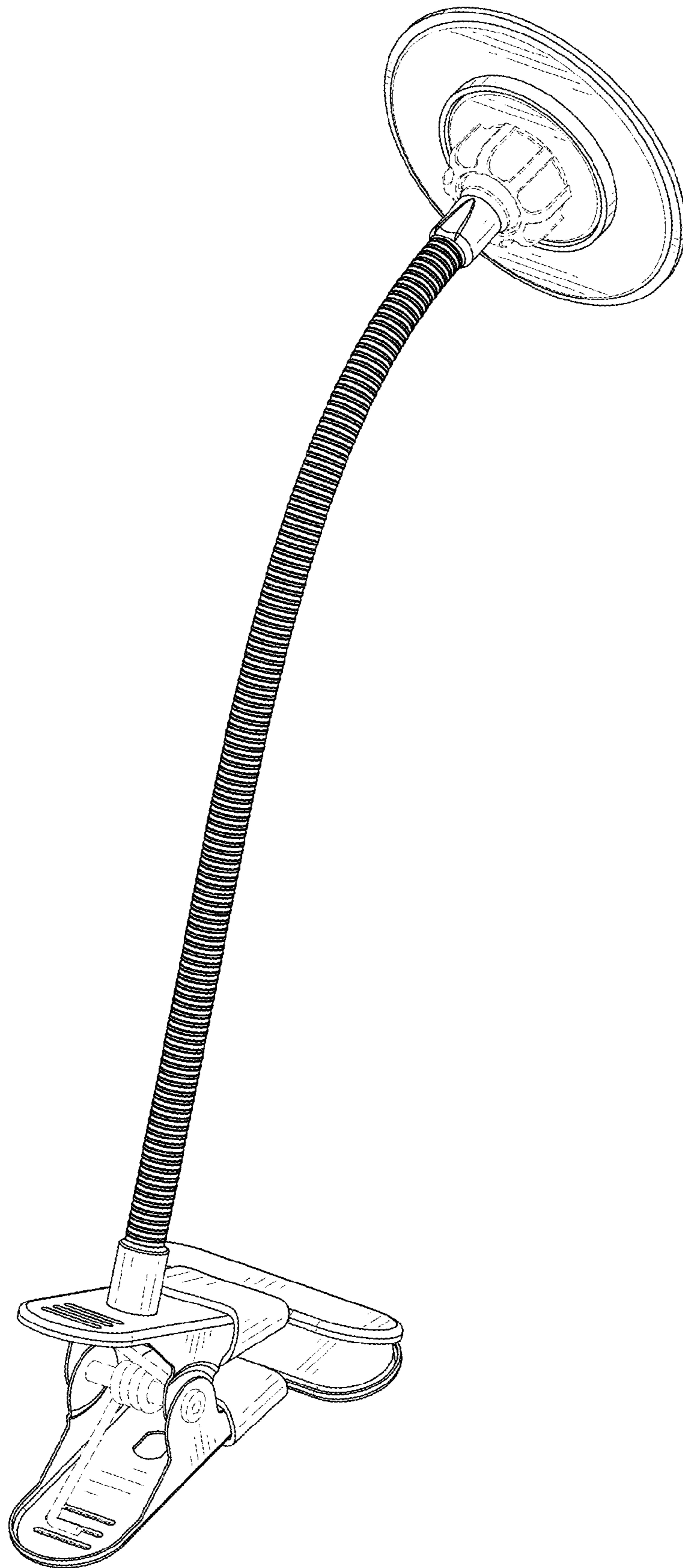


FIG. 2

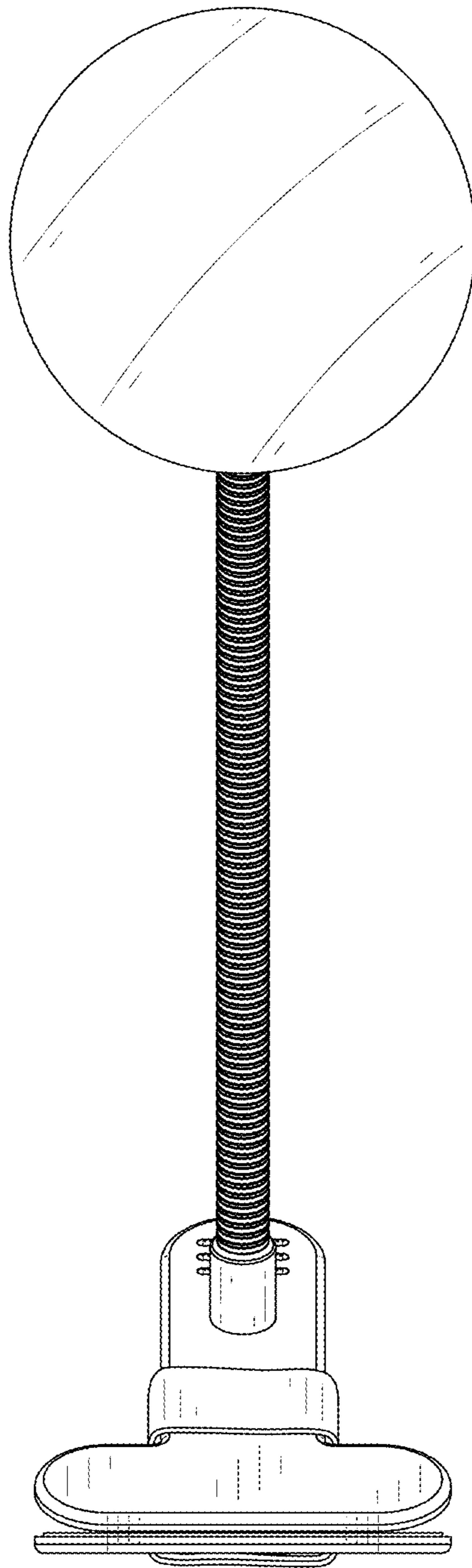


FIG. 3

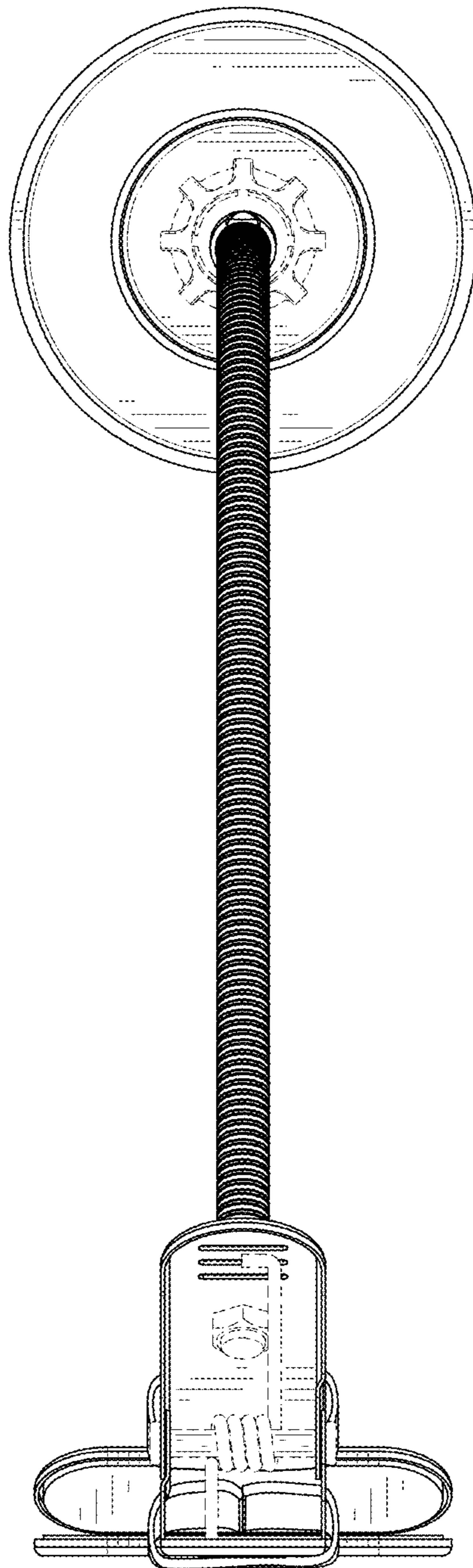


FIG. 4

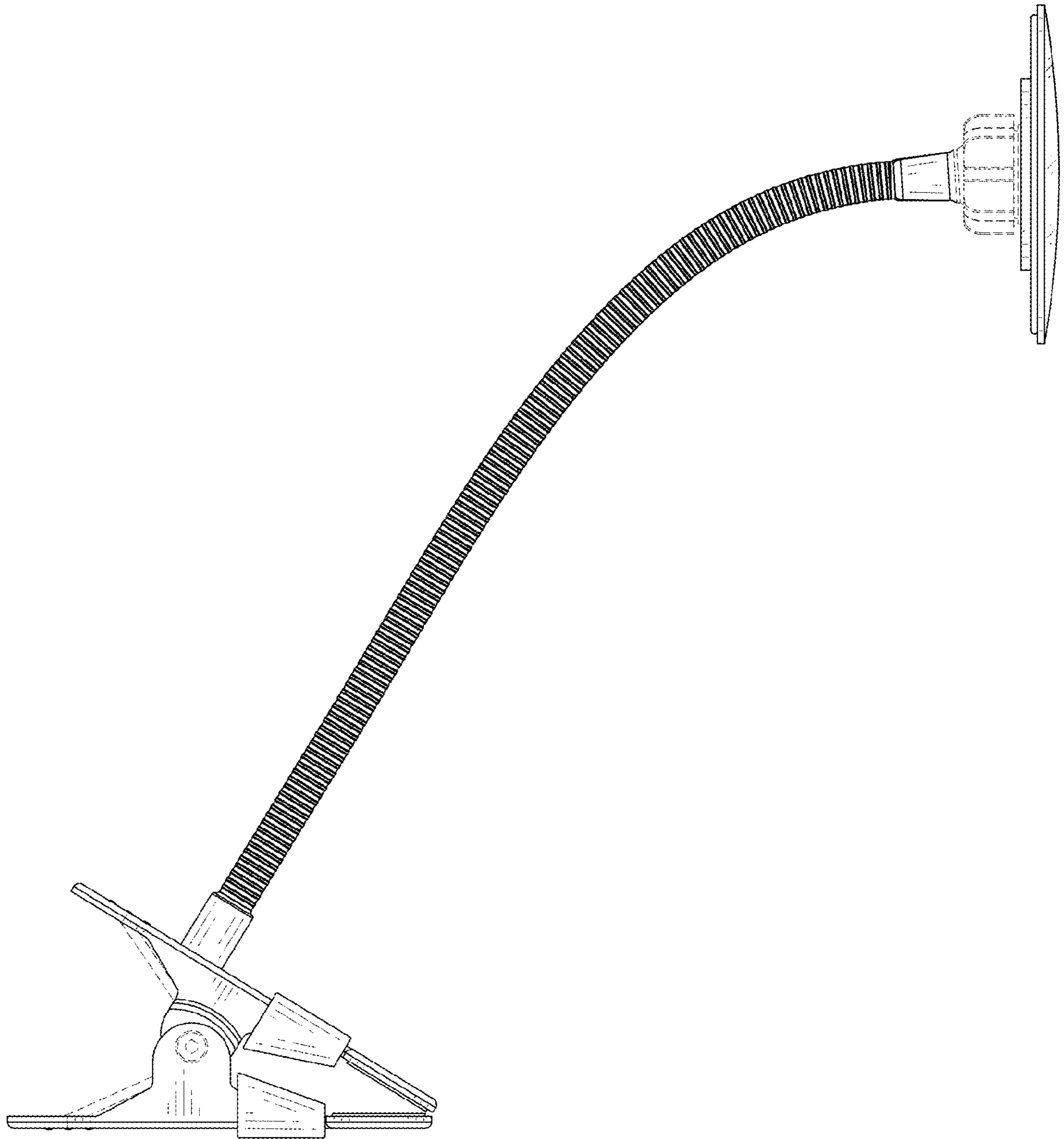


FIG. 5

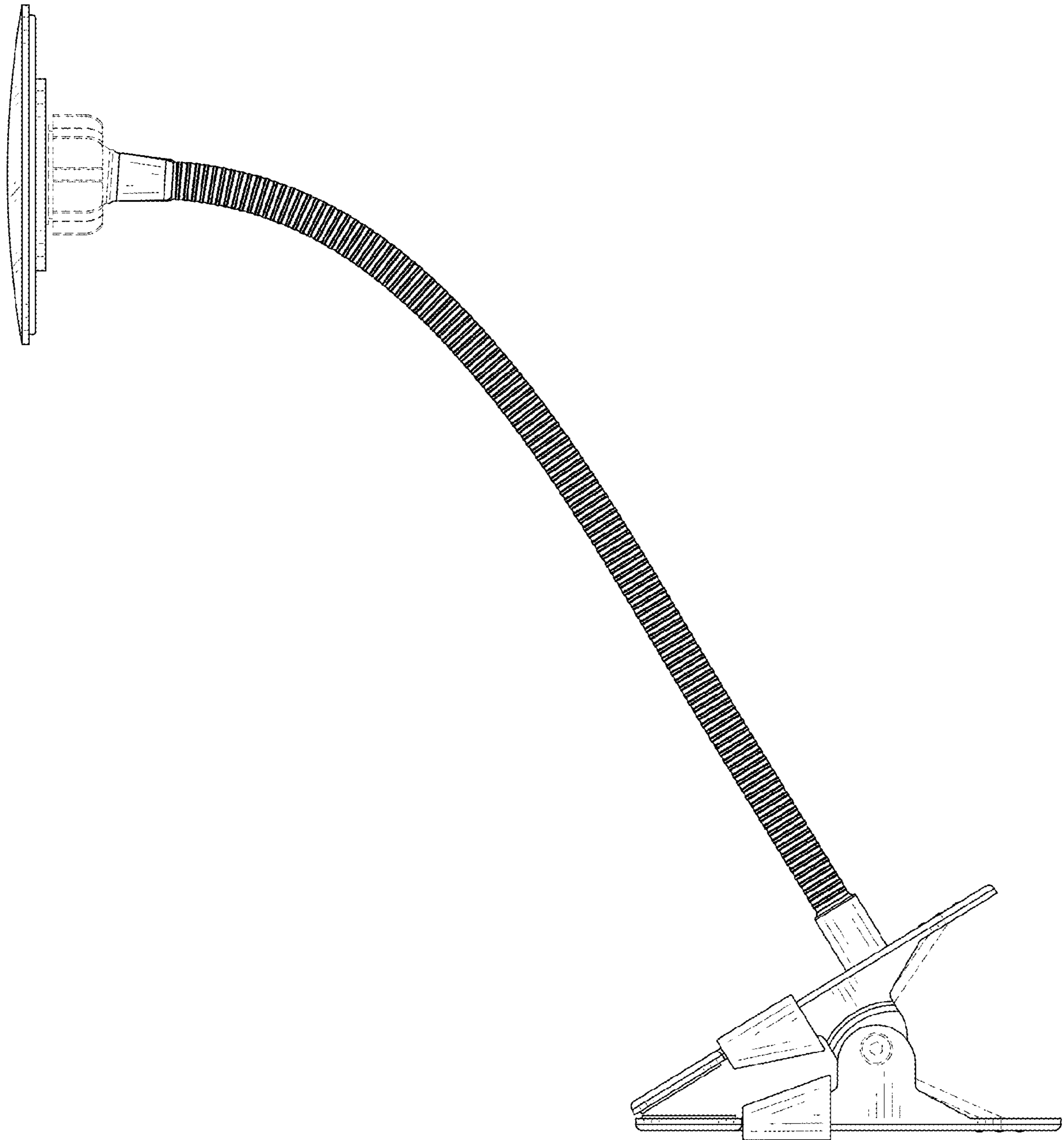


FIG. 6

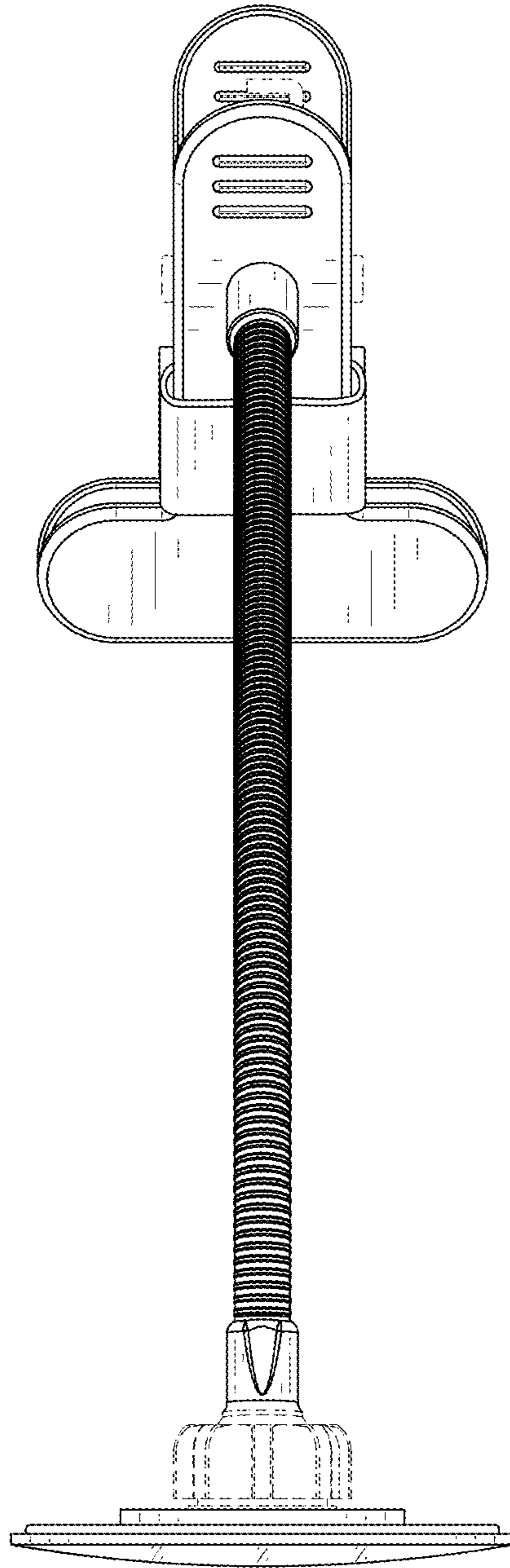


FIG. 7

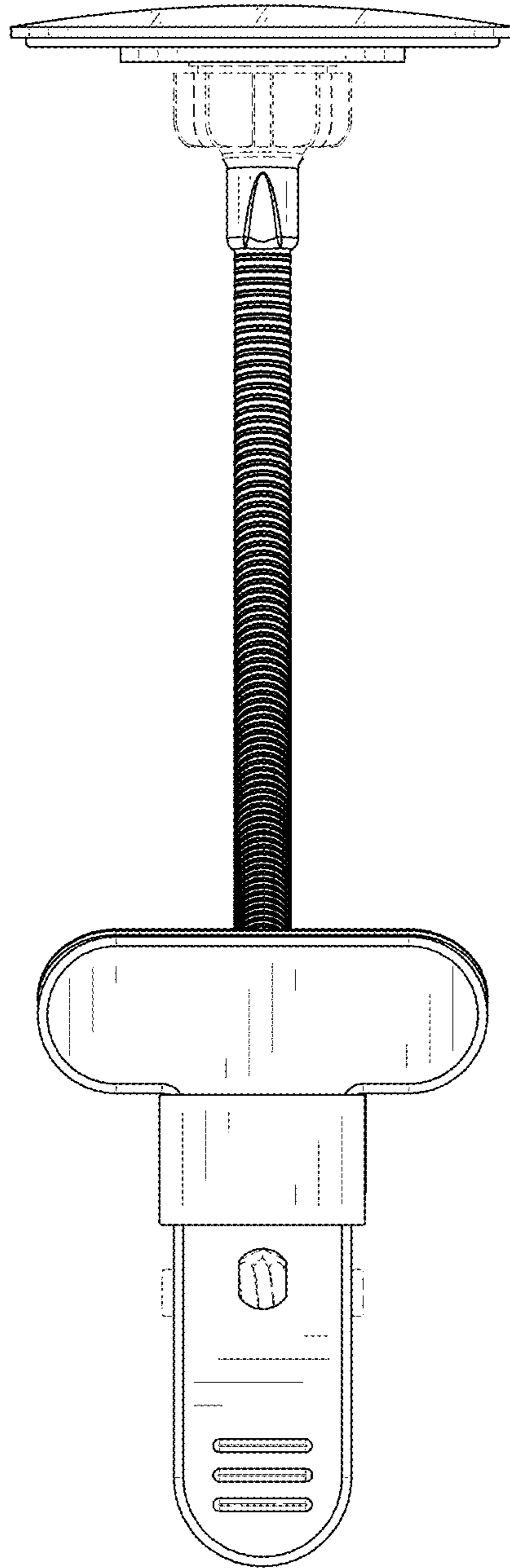


FIG. 8

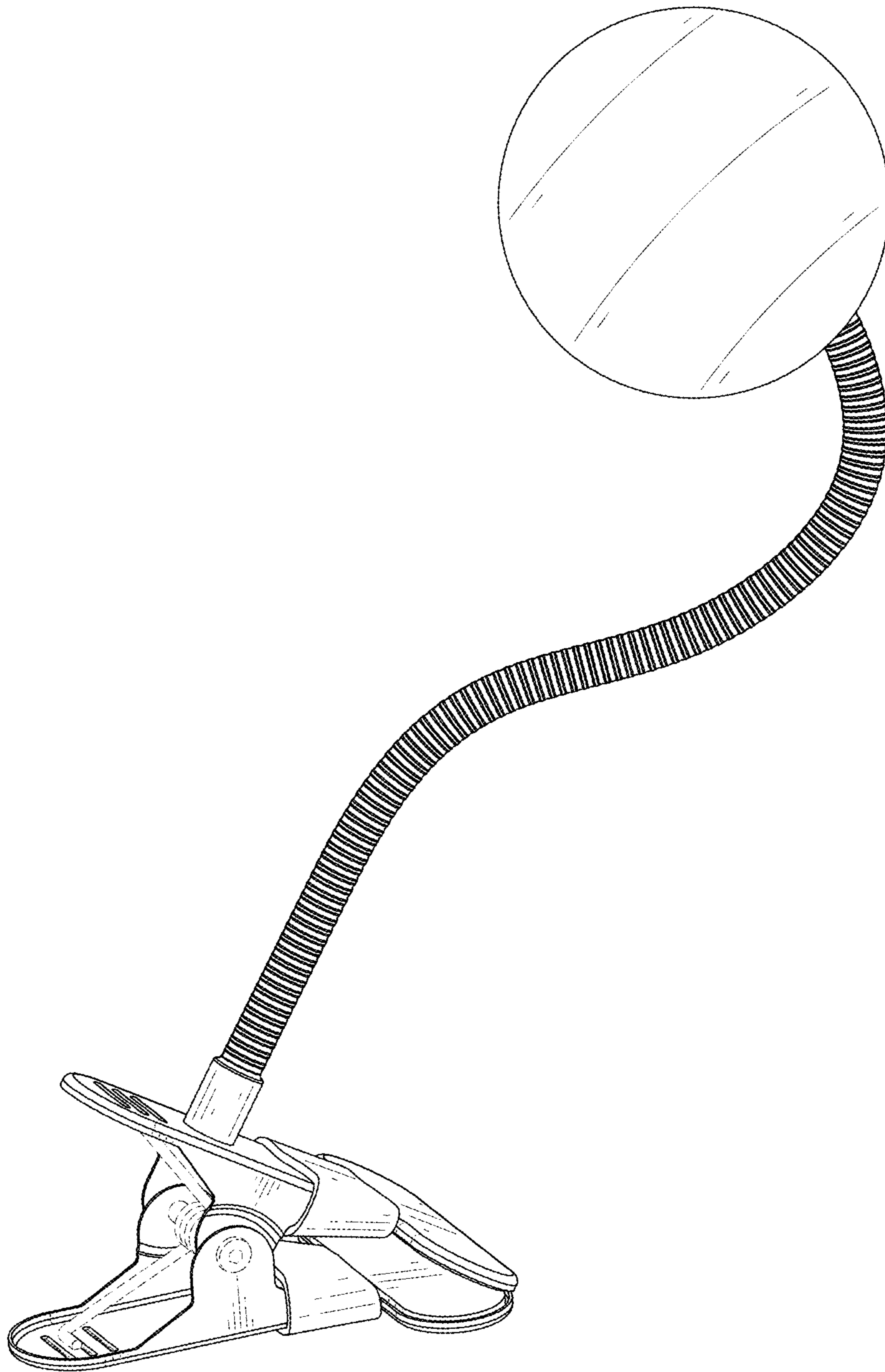


FIG. 9

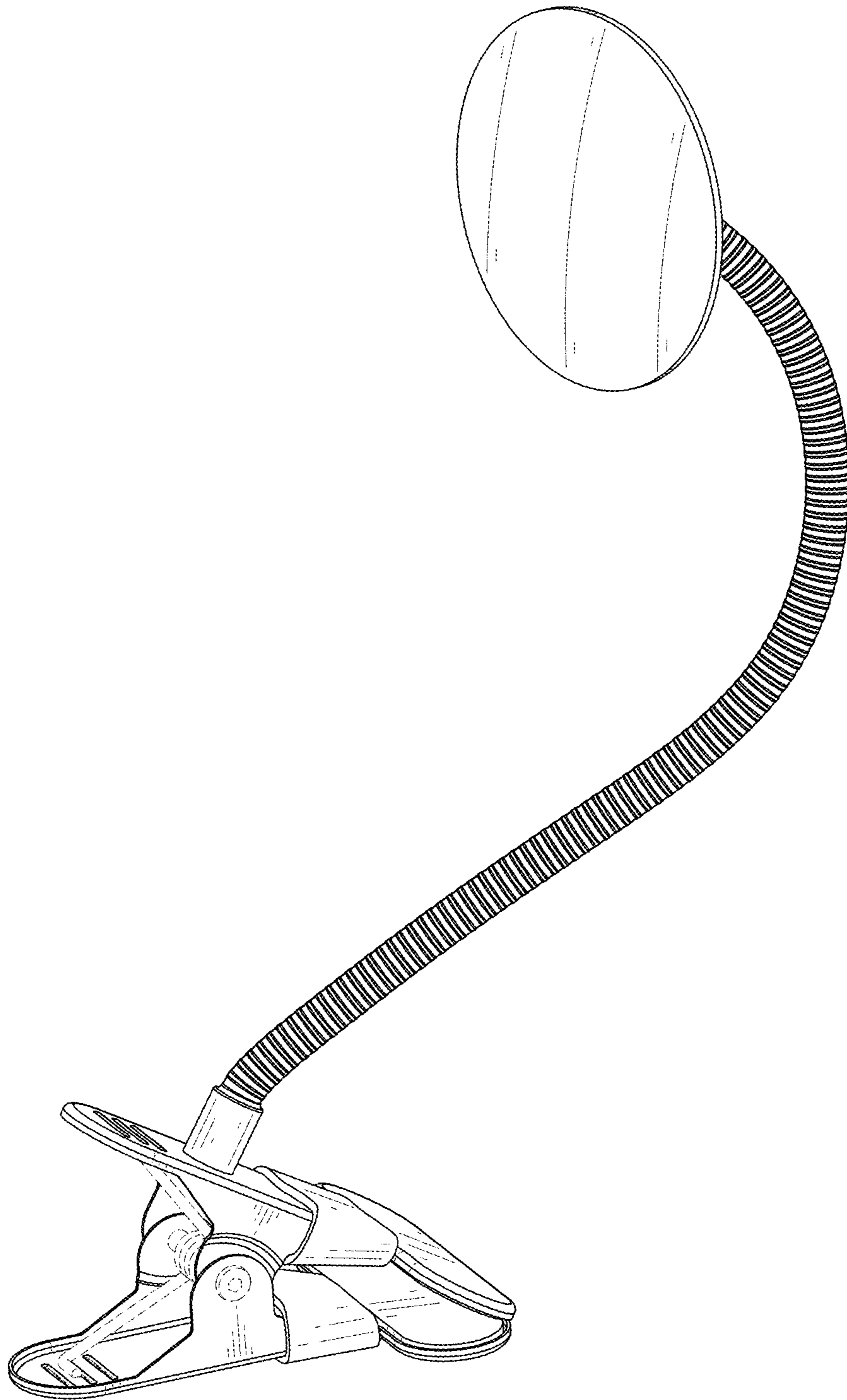


FIG. 10

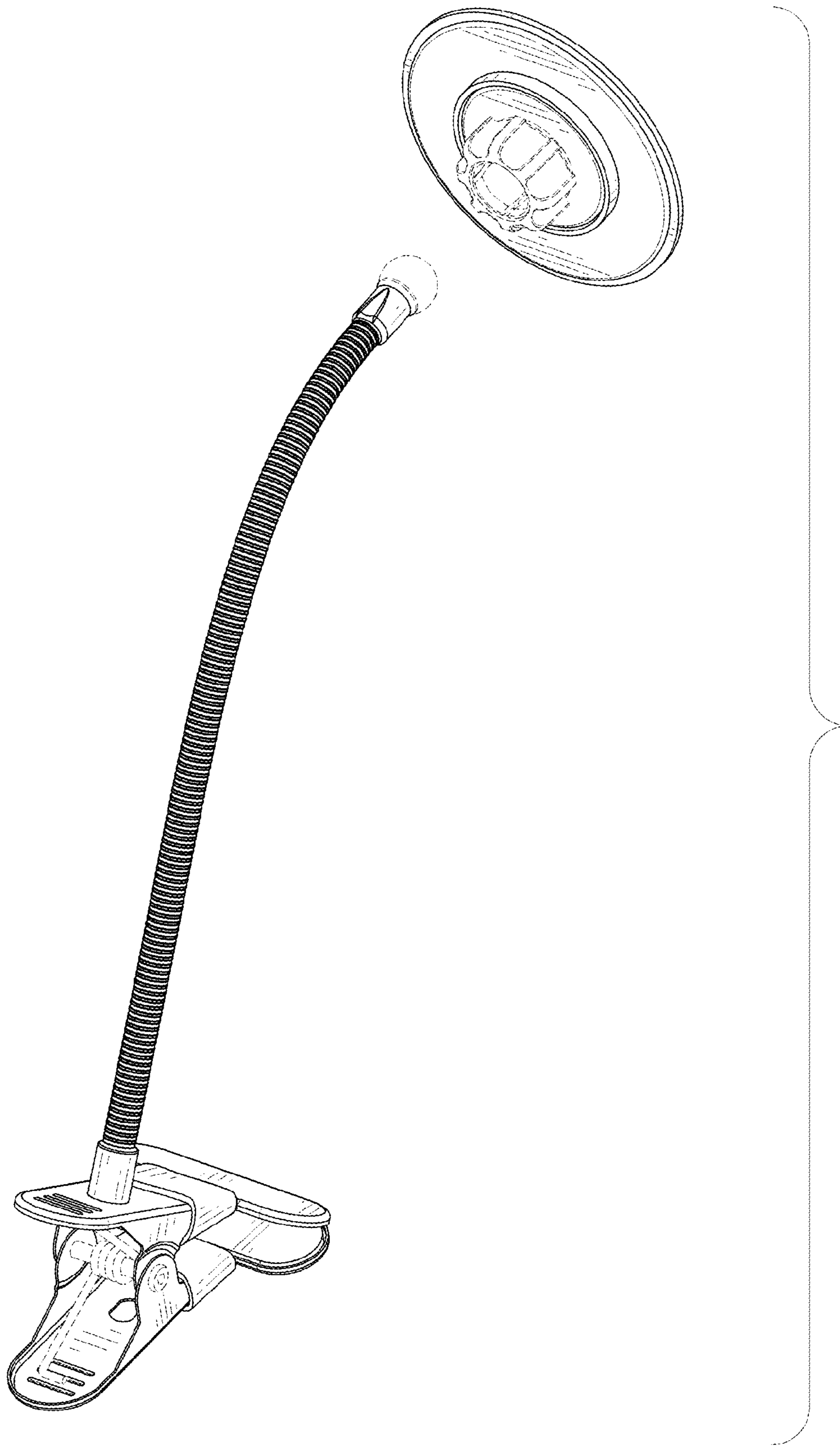


FIG. 11

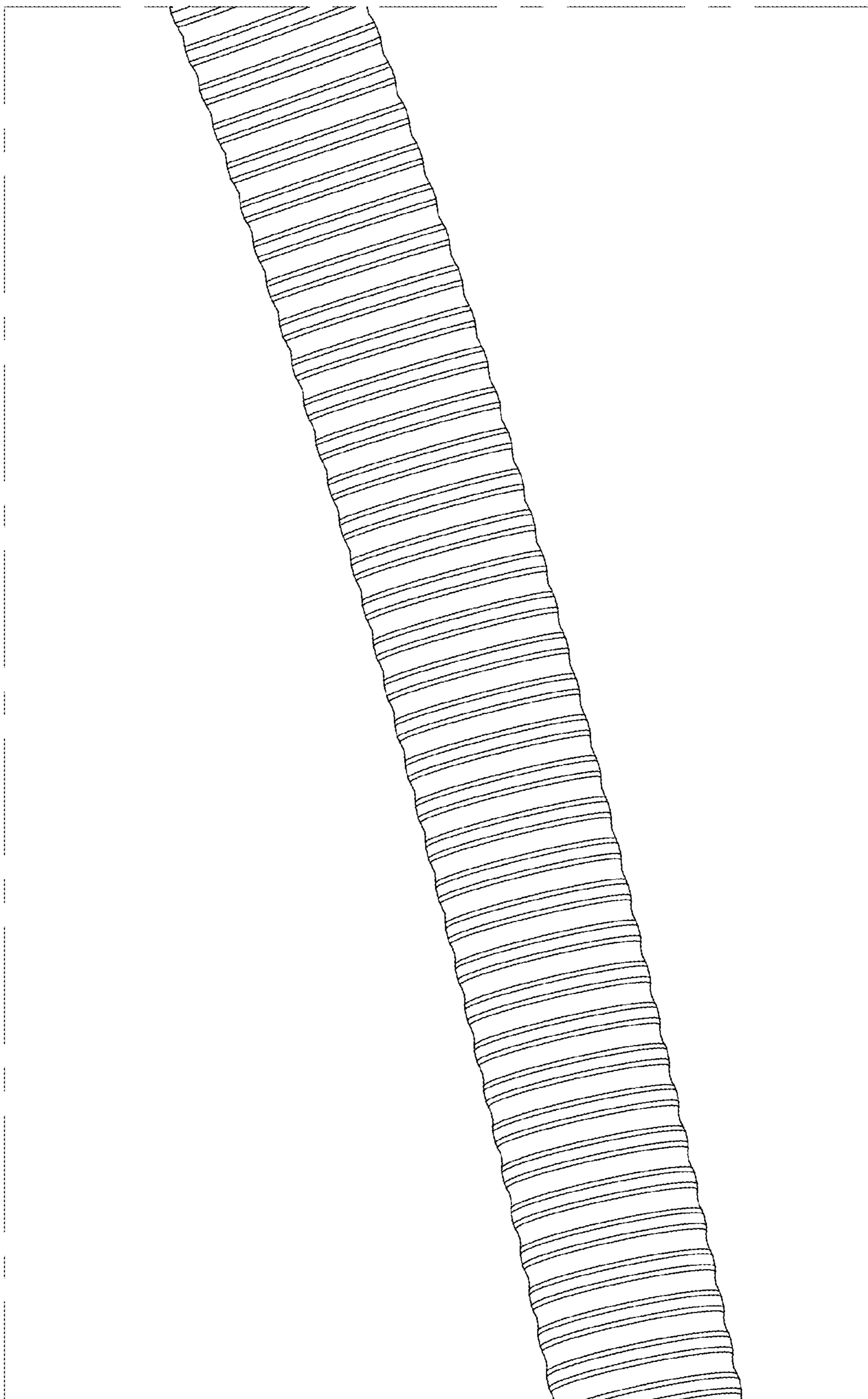


FIG. 12