



US00D888435S

(12) **United States Design Patent** (10) **Patent No.:** **US D888,435 S**
Damavandi et al. (45) **Date of Patent:** **** *Jun. 30, 2020**

(54) **ELECTRIC TOOTHBRUSH HANDLE**

FOREIGN PATENT DOCUMENTS

(71) Applicant: **DAJ GLOBAL PARTNERS LLC**, Los Angeles, CA (US)

CN 303914338 * 7/2016
CN 303999406 * 1/2017

(Continued)

(72) Inventors: **David Damavandi**, Los Angeles, CA (US); **Li Dongbao**, Shenzhen (CN)

OTHER PUBLICATIONS

(73) Assignee: **DAJ GLOBAL PARTNERS LLC**, Los Angeles, CA (US)

Philips Sonicare Diamondclean Smart 9500 White | Philips Sonicare, https://www.usa.philips.com/c-p/HX9924_01/sonicare-diamondclean-smart-sonic-electric-toothbrush-with-app#choose_color; Retrieved from website—www.usa.philips.com, pp. 2-15 [online]; © Koninklijke Philips N.V., 2004-2019 [retrieved on Sep. 16, 2019].

(*) Notice: This patent is subject to a terminal disclaimer.

Primary Examiner — Karen E Eldridge Powers

(**) Term: **15 Years**

(74) *Attorney, Agent, or Firm* — Hackler Daghighian Martino & Novak

(21) Appl. No.: **29/696,722**

(57) **CLAIM**

(22) Filed: **Jun. 30, 2019**

The ornamental design for an electric toothbrush handle, as shown and described.

(51) **LOC (12) Cl.** **28-03**

(52) **U.S. Cl.**
USPC **D4/101**

DESCRIPTION

(58) **Field of Classification Search**

USPC D4/100, 101, 102, 104, 105, 106, 107, D4/108, 109, 110, 111, 114, 119, 120, D4/121, 124, 125, 126, 127, 130, 132, D4/133, 134, 138, 199
CPC A61C 17/225; A61C 17/3427
See application file for complete search history.

FIG. 1 is an isometric view of an electric toothbrush handle illustrating my new design;
FIG. 2 is a front elevation view thereof;
FIG. 3 is a back elevation view thereof;
FIG. 4 is a left side elevation view thereof;
FIG. 5 is a right side elevation view thereof;
FIG. 6 is a close up view of the area designated in FIG. 5.
FIG. 7 is a top plan view thereof; and,
FIG. 8 is a bottom plan view thereof.

(56) **References Cited**

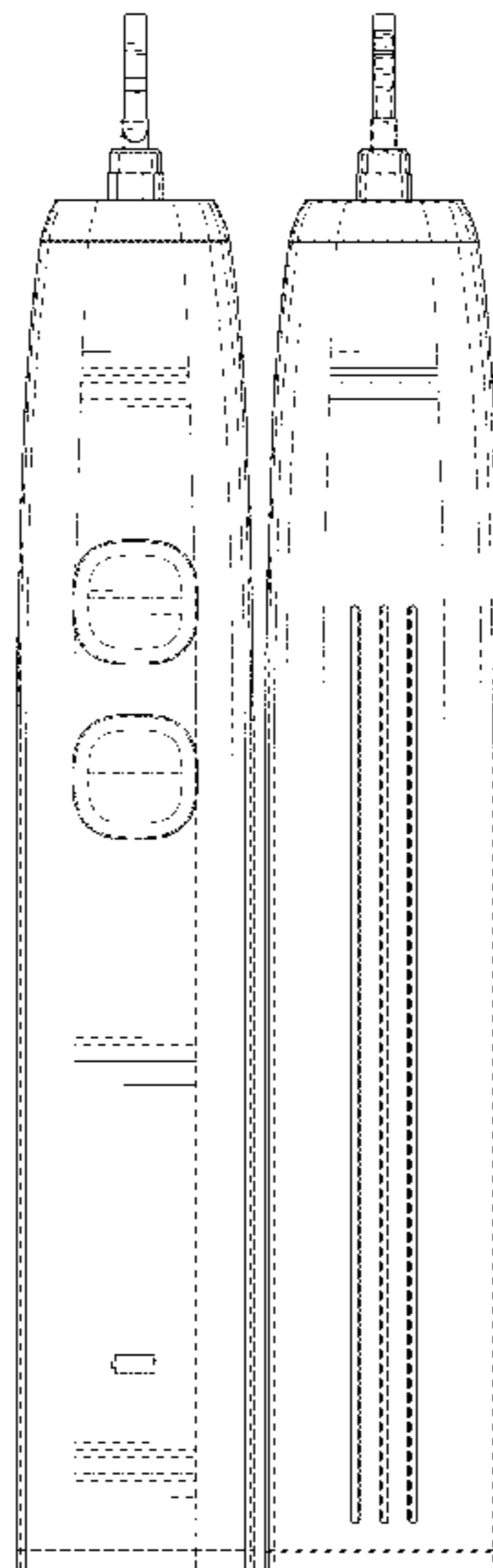
U.S. PATENT DOCUMENTS

D144,203 S * 3/1946 Marsh D4/114
D144,971 S * 6/1946 Hofmann D4/199
D150,915 S * 9/1948 Hofman D4/115
2,728,930 A * 1/1956 Hempel A46B 5/02
401/6
D258,779 S * 4/1981 Hopkins D32/42
D388,958 S 1/1998 Hartwein

The broken lines in FIG. 5 indicate the portion of the electric toothbrush handle that is later represented in the enlarged, detail view of FIG. 6. The edge shown in broken lines in FIG. 6 is for ease of illustration, and does not illustrate the actual bounds of the claimed surfaces. The broken lines in FIG. 8 form no part of the claimed design. It is to be understood that the edges shown in broken lines, therefore, do not illustrate discrete features of the claimed design.

(Continued)

1 Claim, 3 Drawing Sheets



(56)

References Cited

U.S. PATENT DOCUMENTS

D396,957 S 8/1998 Allende
 D405,272 S * 2/1999 Khalaj D24/147
 D420,801 S 2/2000 Miller
 D458,028 S 6/2002 McCurrach
 D474,026 S 5/2003 Wright
 D474,895 S 5/2003 Breit
 D489,183 S 5/2004 Akahori et al.
 D493,960 S 8/2004 Jimenez et al.
 D500,207 S 12/2004 Jimenez et al.
 D500,208 S 12/2004 Vu
 D500,599 S 1/2005 Callaghan
 D503,852 S 4/2005 Hensel
 D510,662 S 10/2005 Kling et al.
 D515,815 S 2/2006 Jimenez et al.
 D515,816 S 2/2006 Jimenez et al.
 D532,974 S 12/2006 Zhuan
 D533,720 S 12/2006 Vu
 D547,951 S * 8/2007 Ullmann D4/101
 D580,173 S 11/2008 Beedham
 D604,470 S * 11/2009 Billig D32/50
 D636,604 S 4/2011 Zhuan
 D658,382 S 5/2012 Heil et al.
 D688,464 S 8/2013 Hara
 D696,023 S 12/2013 Gebski
 D715,056 S 10/2014 Alejandro et al.
 9,226,808 B2 * 1/2016 Utsch A61C 17/222
 D749,851 S * 2/2016 Watkins D4/101
 D749,852 S * 2/2016 Since D4/101
 D752,868 S * 4/2016 McGarry D4/101
 D758,079 S * 6/2016 Since D4/101

D766,581 S * 9/2016 Bloch D4/101
 9,579,175 B2 * 2/2017 Stoerkel A61C 17/3418
 D787,189 S * 5/2017 Fretwell D4/101
 D788,469 S 6/2017 McGarry et al.
 D790,859 S 7/2017 McGarry et al.
 D791,485 S 7/2017 McGarry et al.
 D799,217 S * 10/2017 Masee D4/101
 D801,696 S 11/2017 McGarry et al.
 D819,337 S 6/2018 Yuan et al.
 D838,991 S 1/2019 Choi et al.
 D844,997 S 4/2019 Au et al.
 D845,636 S 4/2019 Porter et al.
 D850,112 S 6/2019 Wang
 D851,411 S * 6/2019 Wainless D4/138
 2007/0094822 A1 5/2007 Gatznerneyer et al.
 2010/0269276 A1 * 10/2010 Faranda A61C 17/221
 15/22.1
 2016/0095681 A1 * 4/2016 Weinstein A61C 17/3481
 433/216
 2017/0112272 A1 4/2017 Bloch et al.
 2017/0318955 A1 * 11/2017 Hohlbein A46B 15/0087
 2019/0083217 A1 * 3/2019 Triato F03G 1/08

FOREIGN PATENT DOCUMENTS

CN 304302840 * 9/2017
 CN 304561837 * 3/2018
 DE 20 2008 008 686 U1 1/2009
 DE 10 2008 060 829 A1 6/2010
 KR 10-2010-0056578 5/2010
 KR 3009169550003 * 8/2017

* cited by examiner

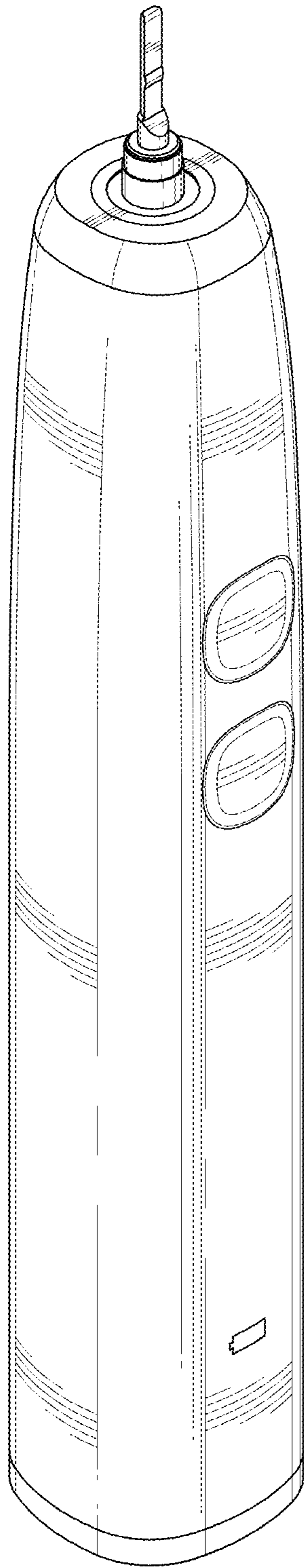


FIG. 1

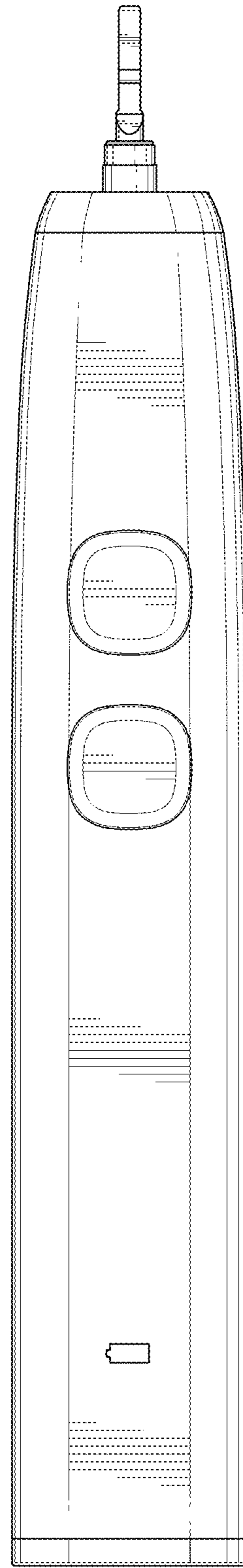


FIG. 2

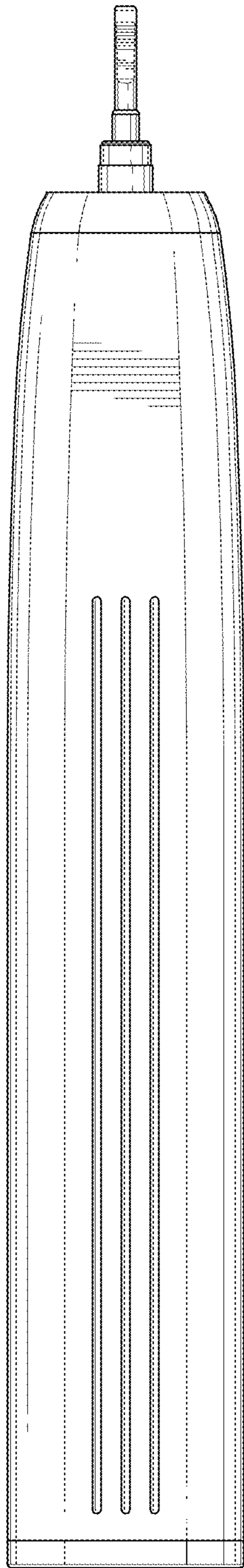


FIG. 3

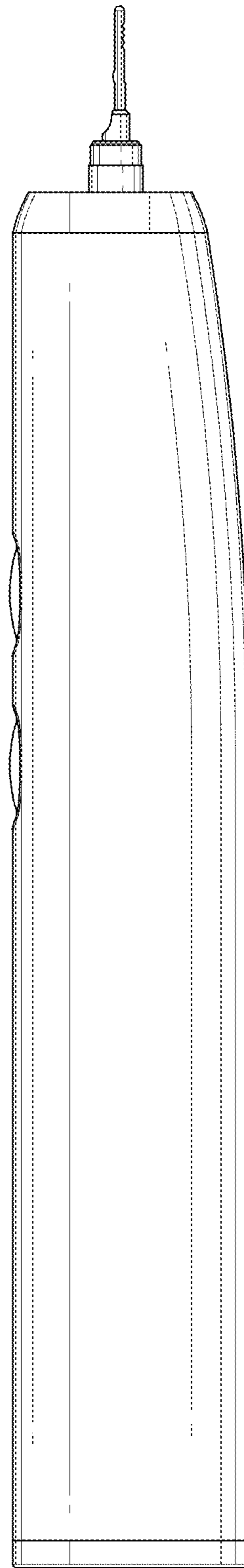


FIG. 4

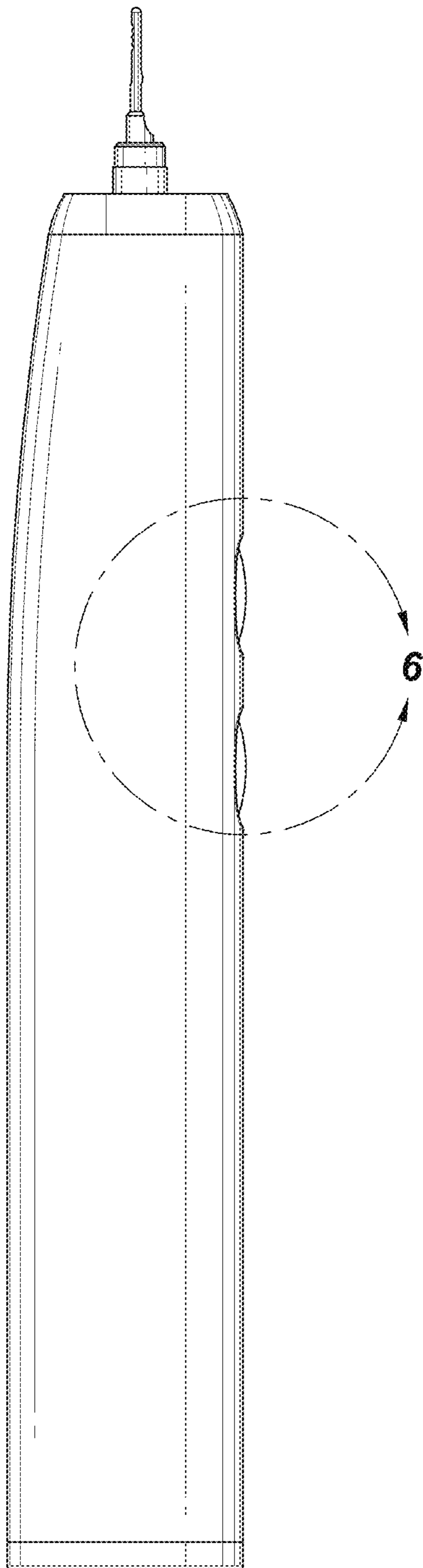


FIG. 5

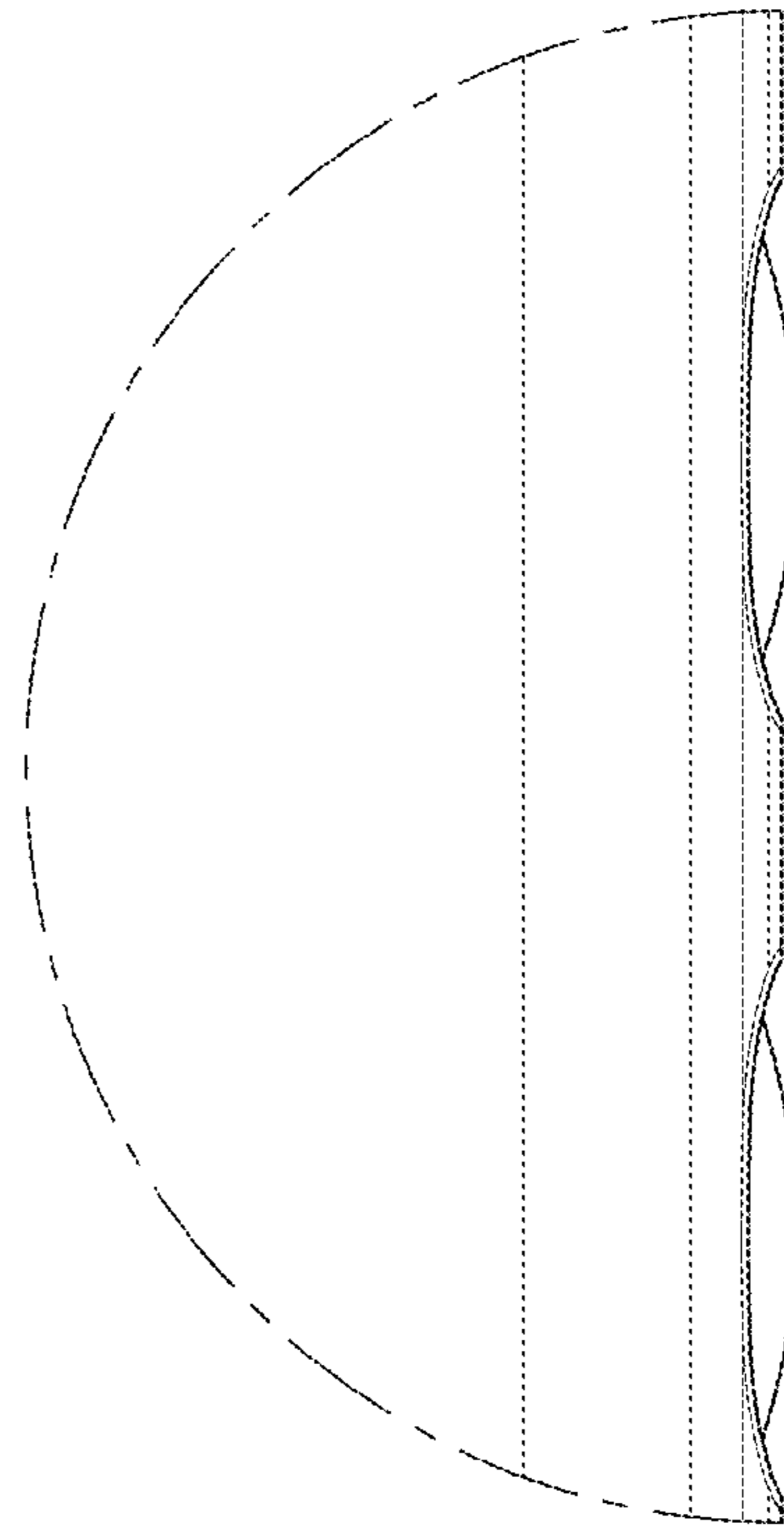


FIG. 6

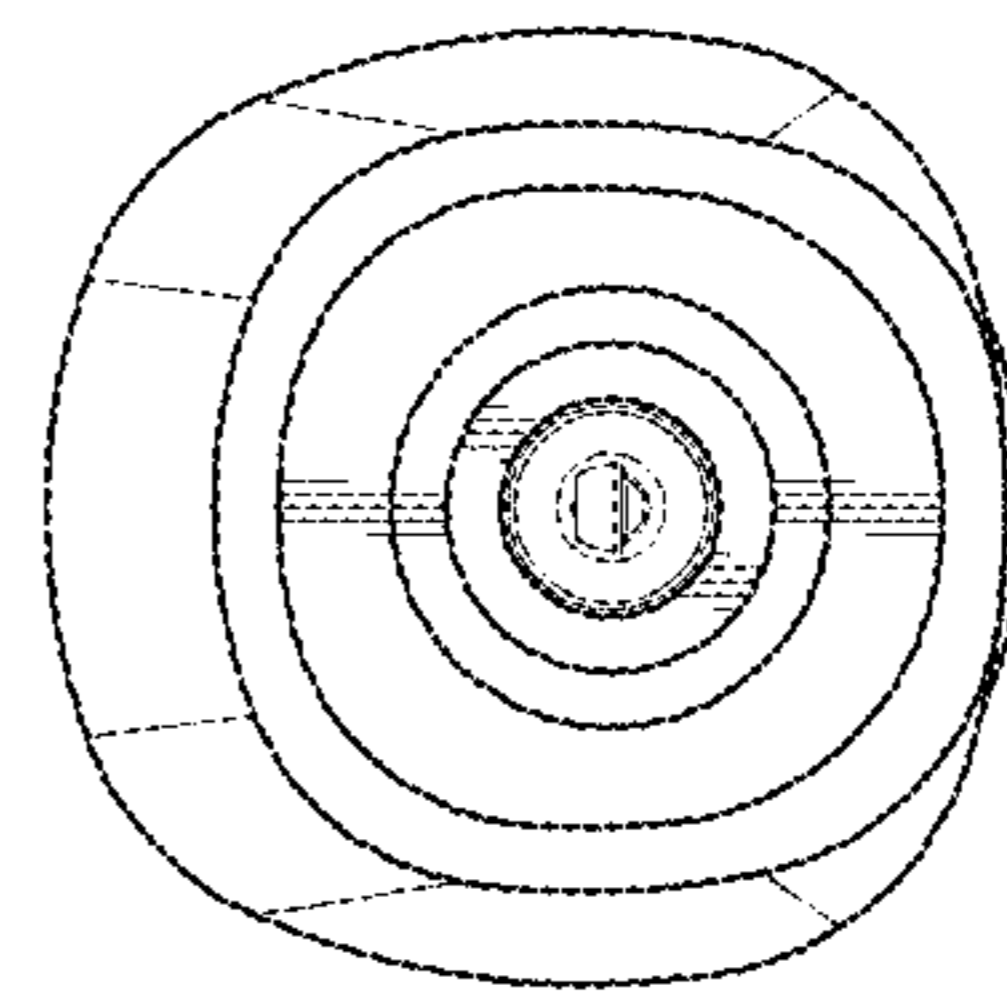


FIG. 7

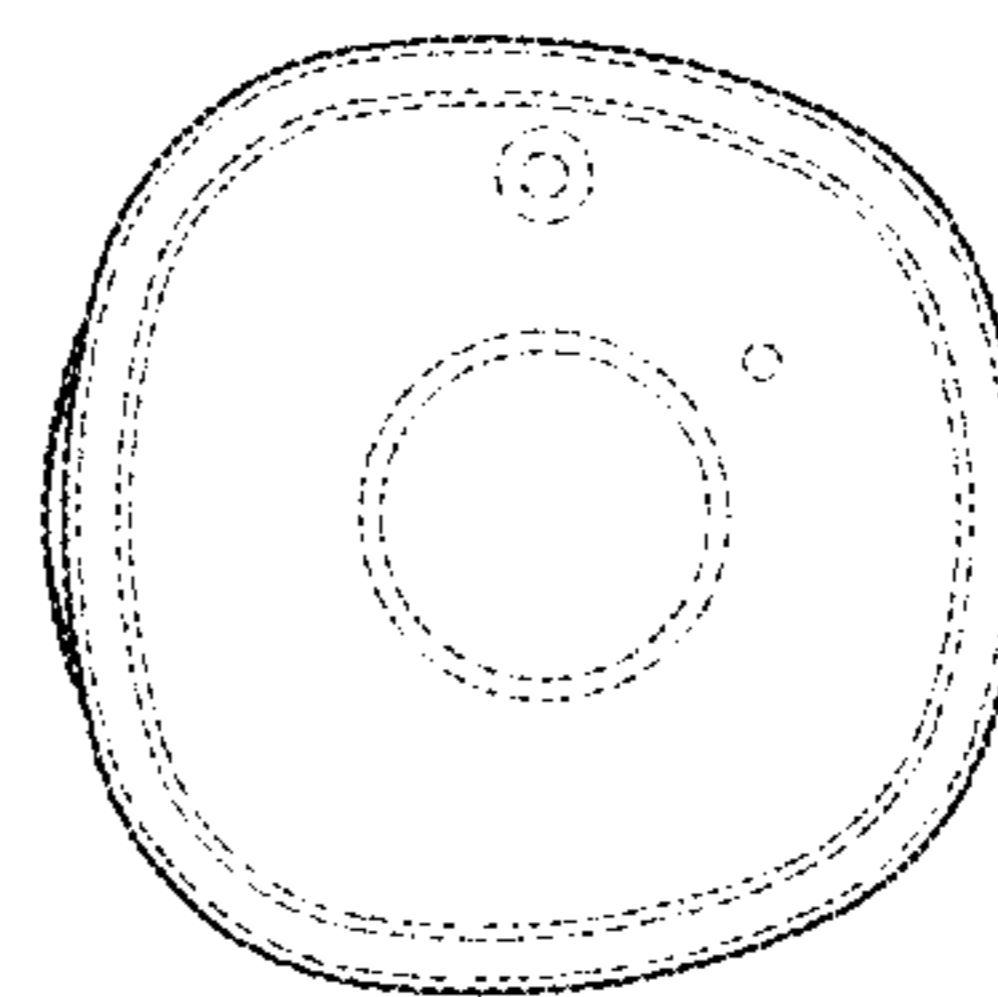


FIG. 8