



US00D888431S

(12) **United States Design Patent**
Grismer

(10) **Patent No.:** **US D888,431 S**
(45) **Date of Patent:** **** Jun. 30, 2020**

(54) **BACKPACK WITH MULTIPLE HOODS**

DESCRIPTION

- (71) Applicant: **Bryan Grismer**, San Diego, CA (US)
- (72) Inventor: **Bryan Grismer**, San Diego, CA (US)
- (73) Assignee: **ULC IP Holdings LLC**, New York, NY (US)
- (**) Term: **15 Years**
- (21) Appl. No.: **29/674,936**
- (22) Filed: **Dec. 27, 2018**
- (51) **LOC (12) Cl.** **03-01**
- (52) **U.S. Cl.**
USPC **D3/318**; D3/216; D3/217
- (58) **Field of Classification Search**
USPC D3/216-217, 318
CPC ... A45F 4/02; A45F 3/04; A45C 13/08; A45C 13/30; A45C 9/00; A45C 5/03; A45C 2005/032; A45C 2005/035
See application file for complete search history.

FIG. 1 is a perspective elevational view of a front hood and a back hood of a backpack illustrating both hoods in extended positions and showing our new design.

FIG. 2 is a front elevational view thereof illustrating both hoods in extended positions.

FIG. 3 is a rear elevational view thereof illustrating both hoods in extended positions.

FIG. 4 is a left side elevational view thereof illustrating both hoods in extended positions.

FIG. 5 is a right side elevational view thereof illustrating both hoods in extended positions.

FIG. 6 is a top plan view thereof illustrating both hoods in extended positions.

FIG. 7 is a bottom plan view thereof illustrating both hoods in extended positions.

FIG. 8 is a perspective elevational view thereof illustrating both hoods in the partially stored position.

FIG. 9 is a perspective elevational view thereof illustrating the front hood in a fully stored position and illustrating the back hood in an extended position.

FIG. 10 is a perspective elevational view thereof illustrating both hoods in a fully stored position.

FIG. 11 is a front elevational view thereof illustrating both hoods in a fully stored position.

FIG. 12 is a rear elevational view thereof illustrating both hoods in a fully stored position.

FIG. 13 is a left side elevational view thereof illustrating both hoods in a fully stored position.

FIG. 14 is a right side elevational view thereof illustrating both hoods in a fully stored position.

FIG. 15 is a top plan view thereof illustrating both hoods in a fully stored position; and,

FIG. 16 is a bottom plan view thereof illustrating both hoods in a fully stored position.

The dotted broken lines in the figure drawings illustrate environment and form no part of the claimed design.

(56) **References Cited**

U.S. PATENT DOCUMENTS

D443,758 S *	6/2001	Stylianou	D3/216
6,843,398 B2 *	1/2005	Zion	A45F 3/08
				224/155
D669,257 S *	10/2012	Hedaya	D3/216
9,125,477 B2 *	9/2015	Killion	A45F 4/12
9,596,921 B1 *	3/2017	Blanton	A45F 3/04
2010/0078457 A1 *	4/2010	Pitchford	A42B 1/048
				224/576

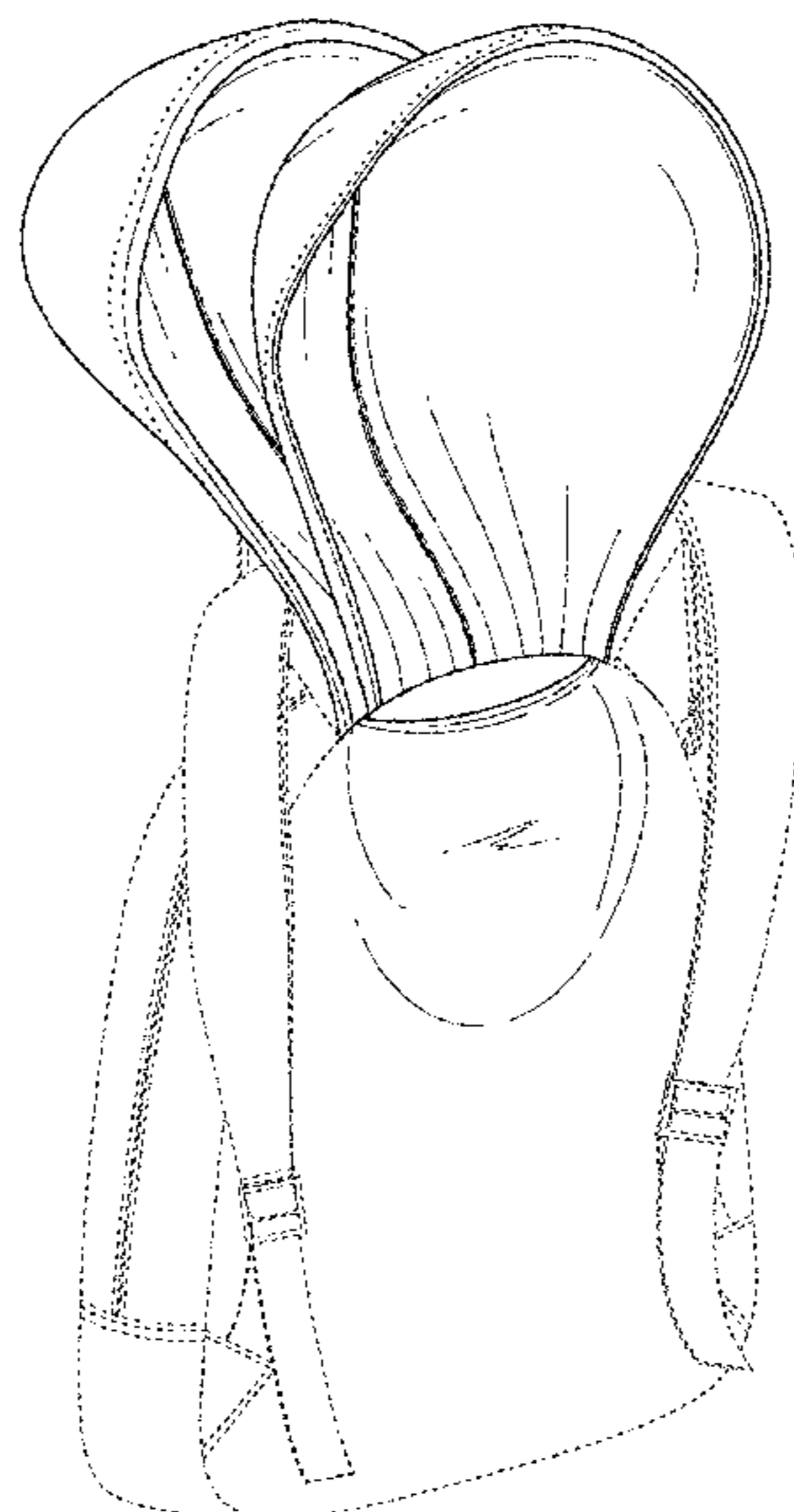
* cited by examiner

Primary Examiner — Holly H Baynham
(74) *Attorney, Agent, or Firm* — Ezra Sutton

(57) **CLAIM**

The ornamental design for a backpack with multiple hoods, as shown and described.

1 Claim, 15 Drawing Sheets



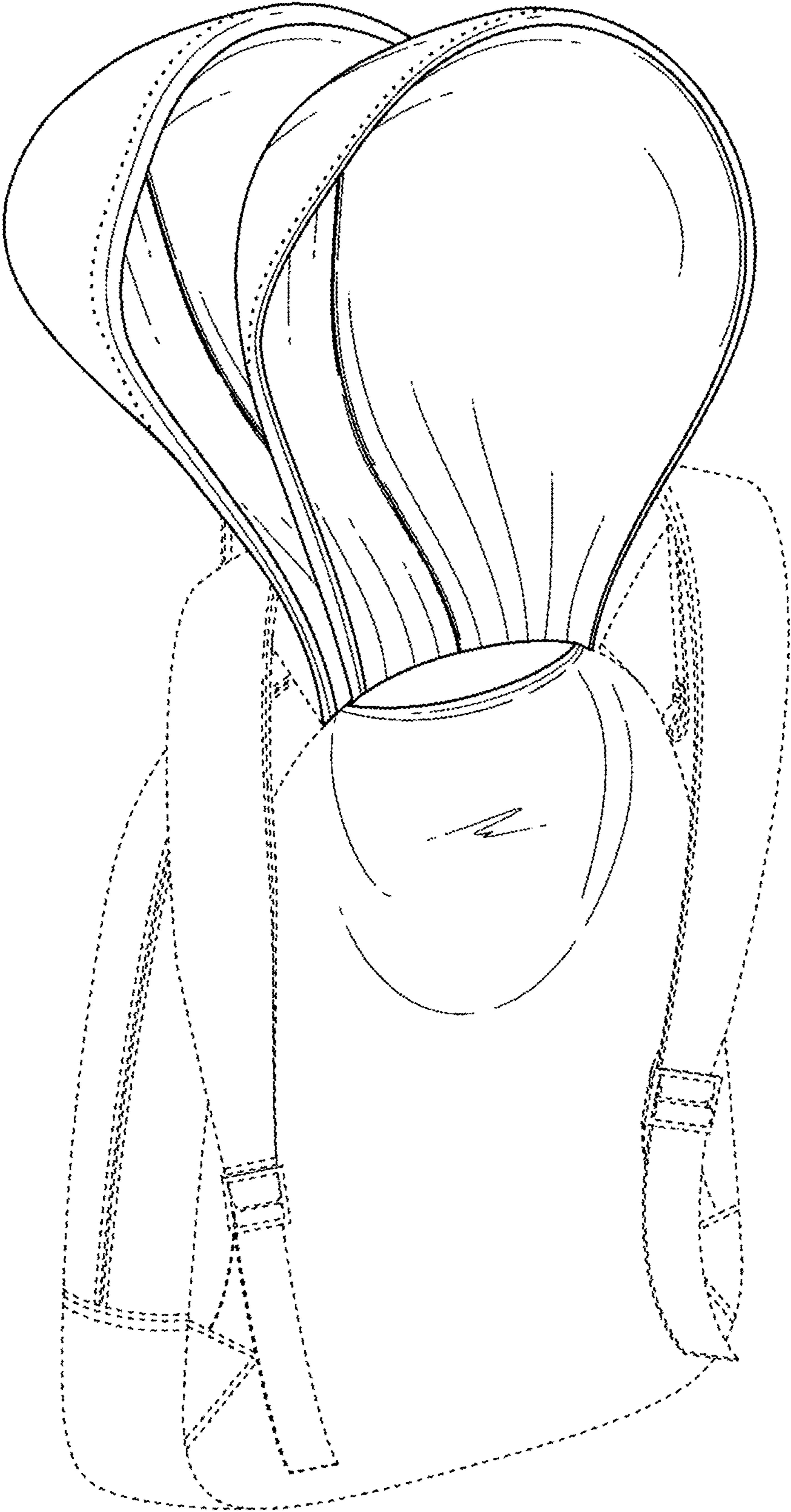


FIG. 1

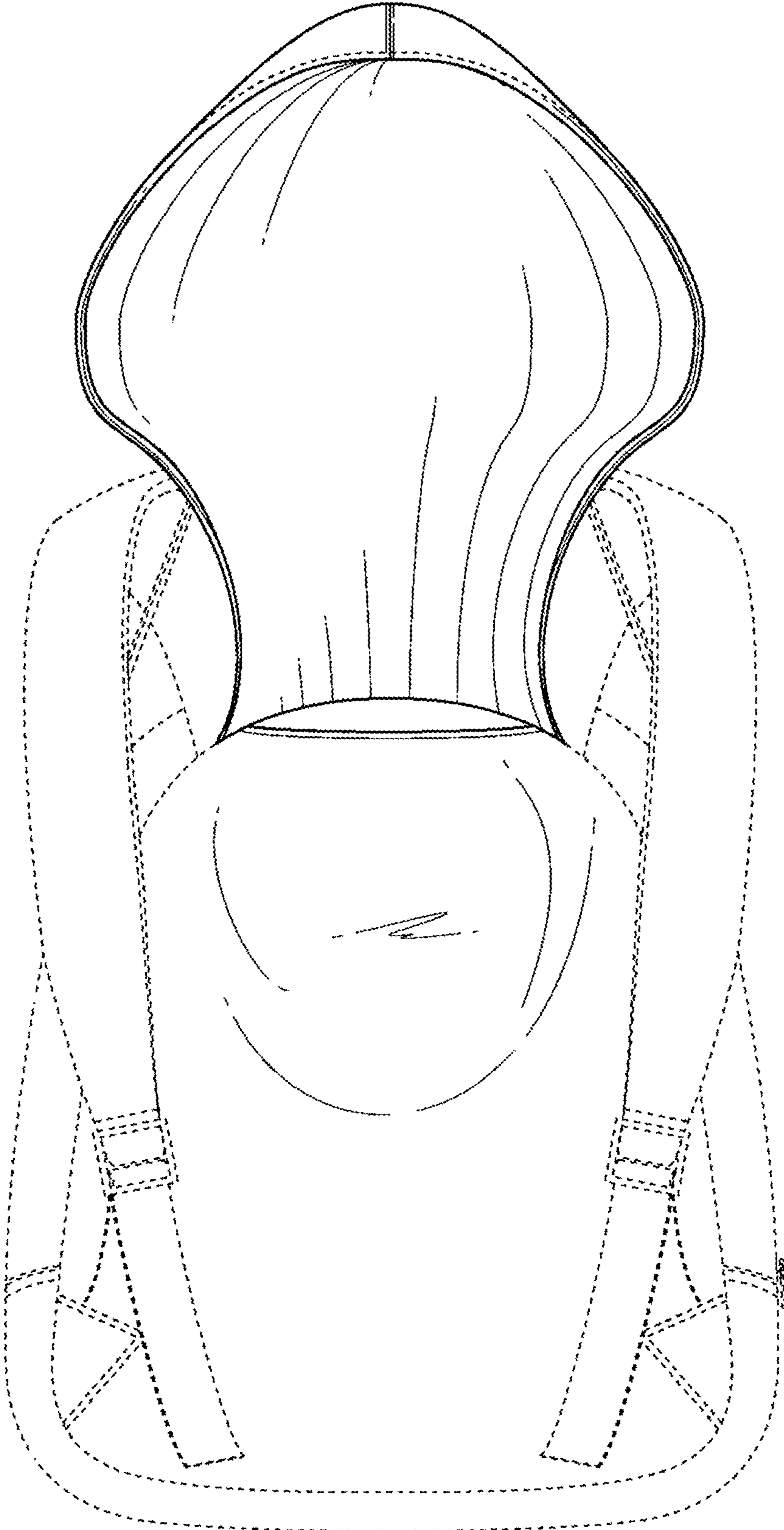


FIG. 2

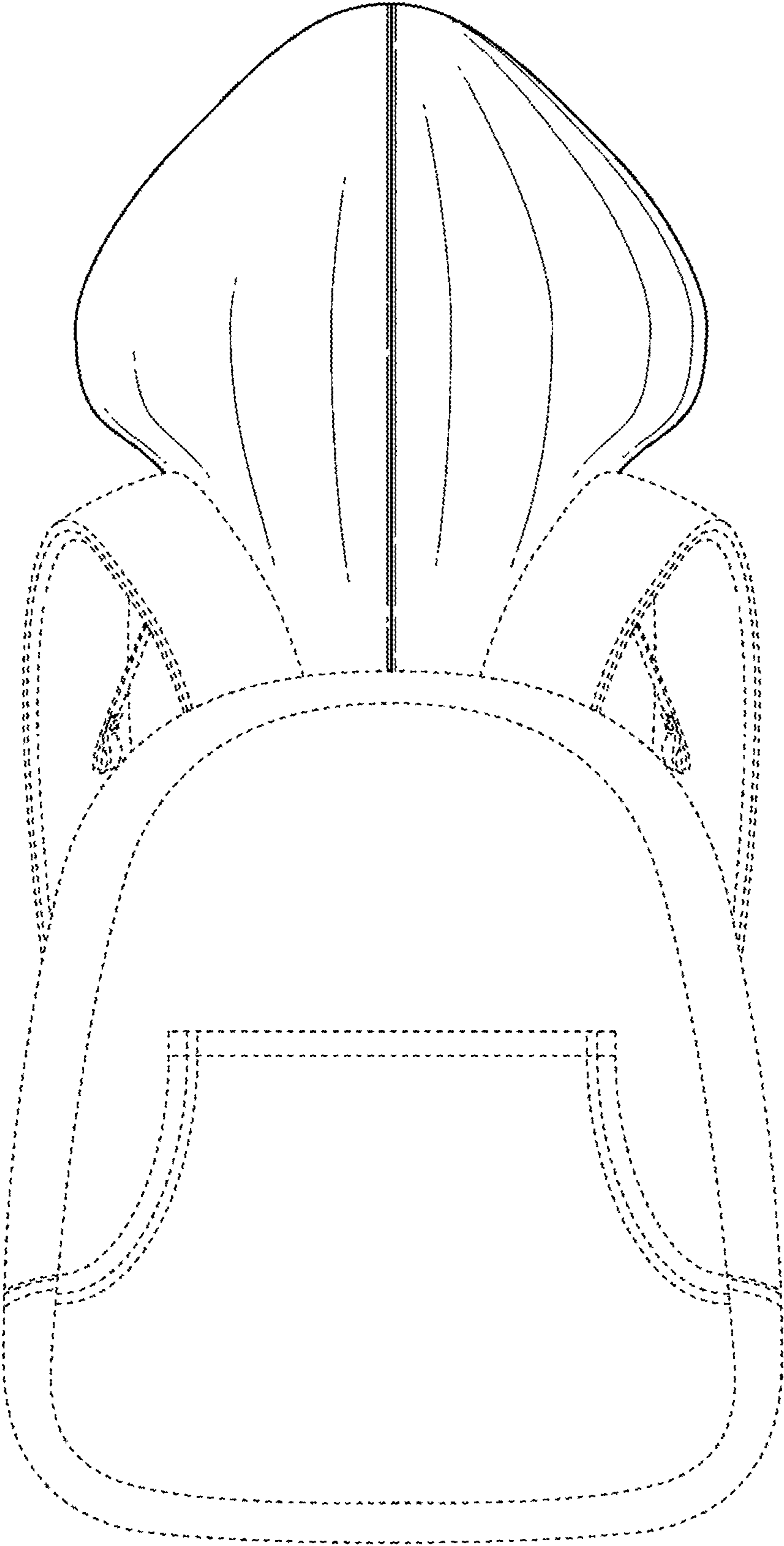


FIG. 3

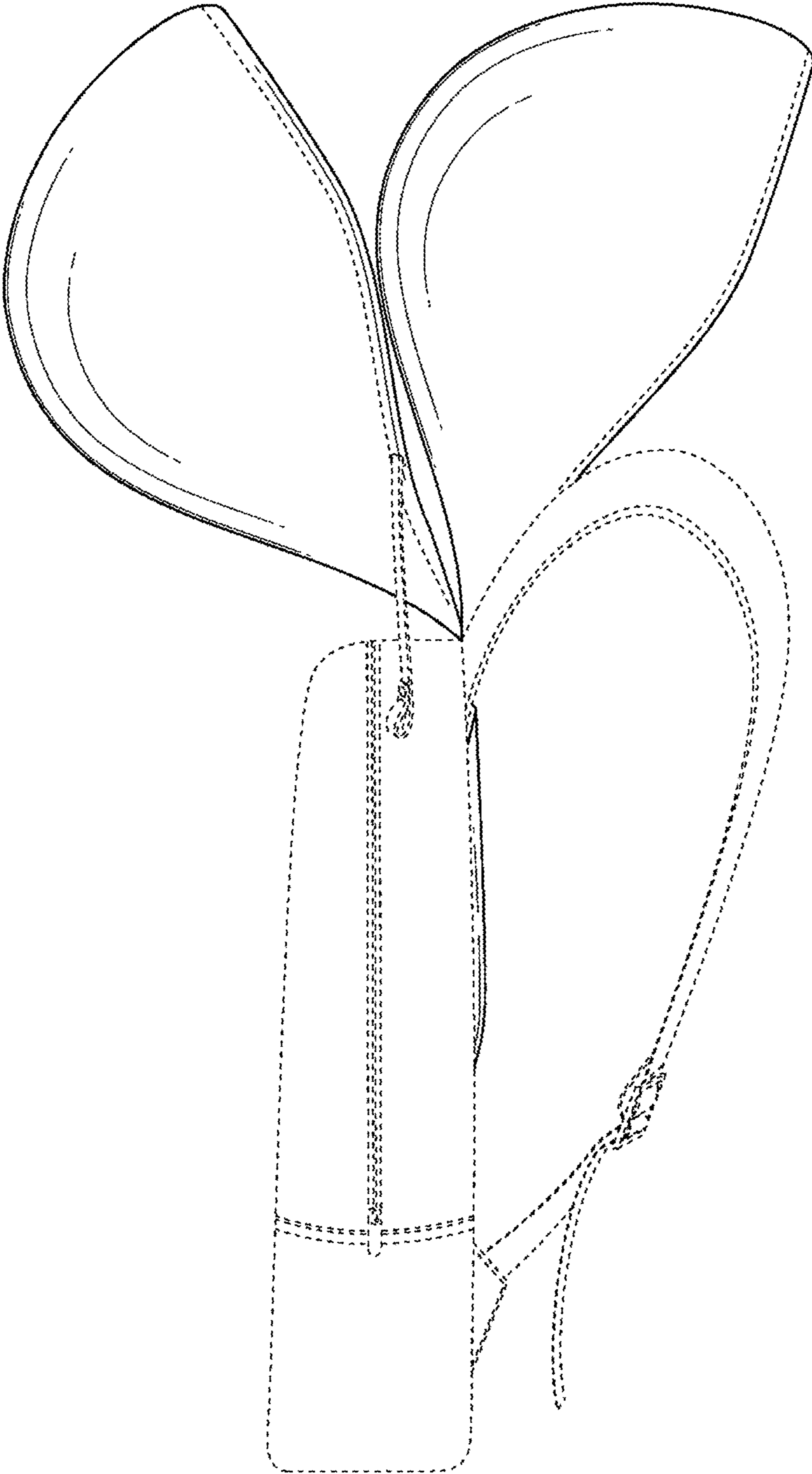


FIG. 4

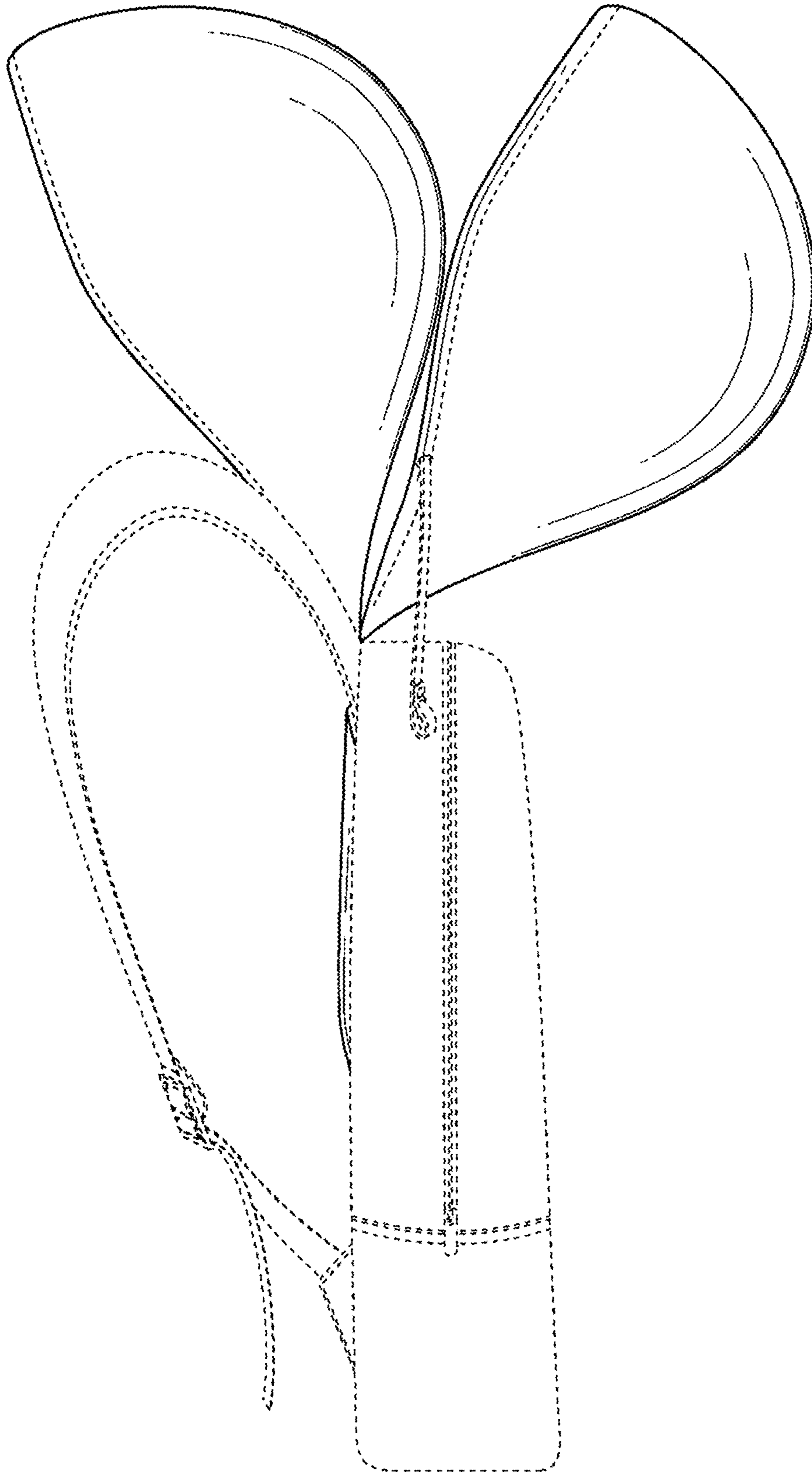


FIG. 5

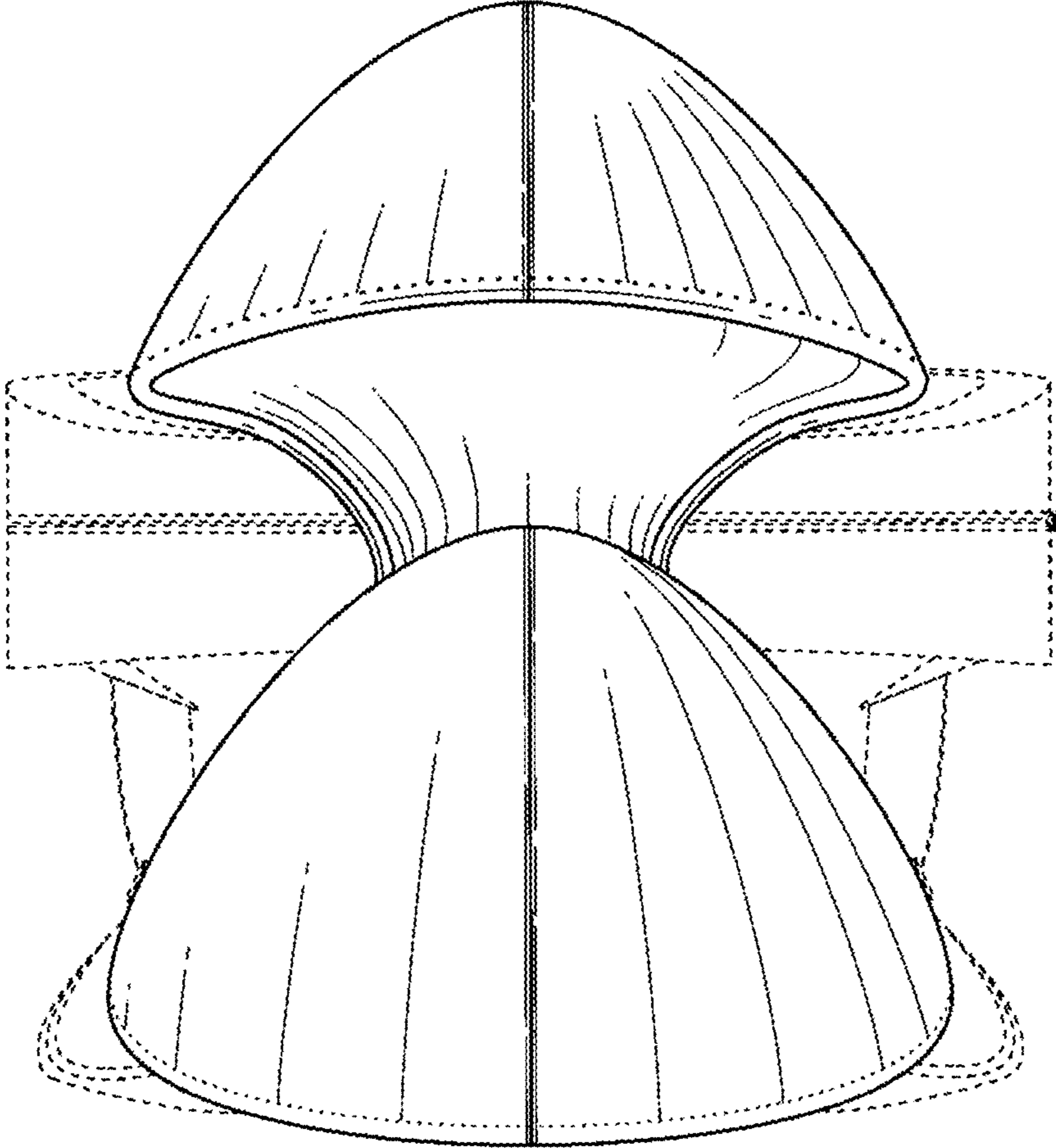


FIG. 6

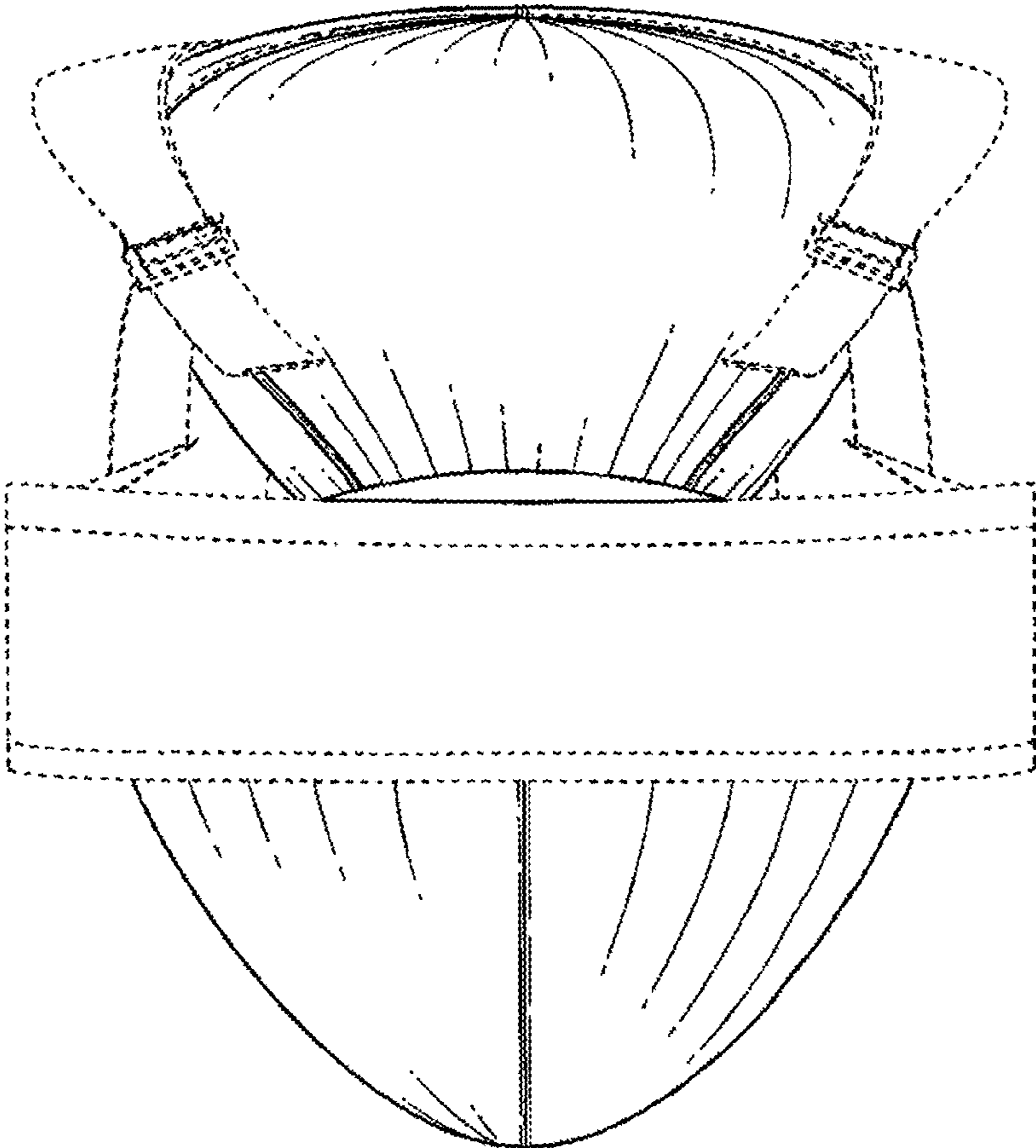


FIG. 7

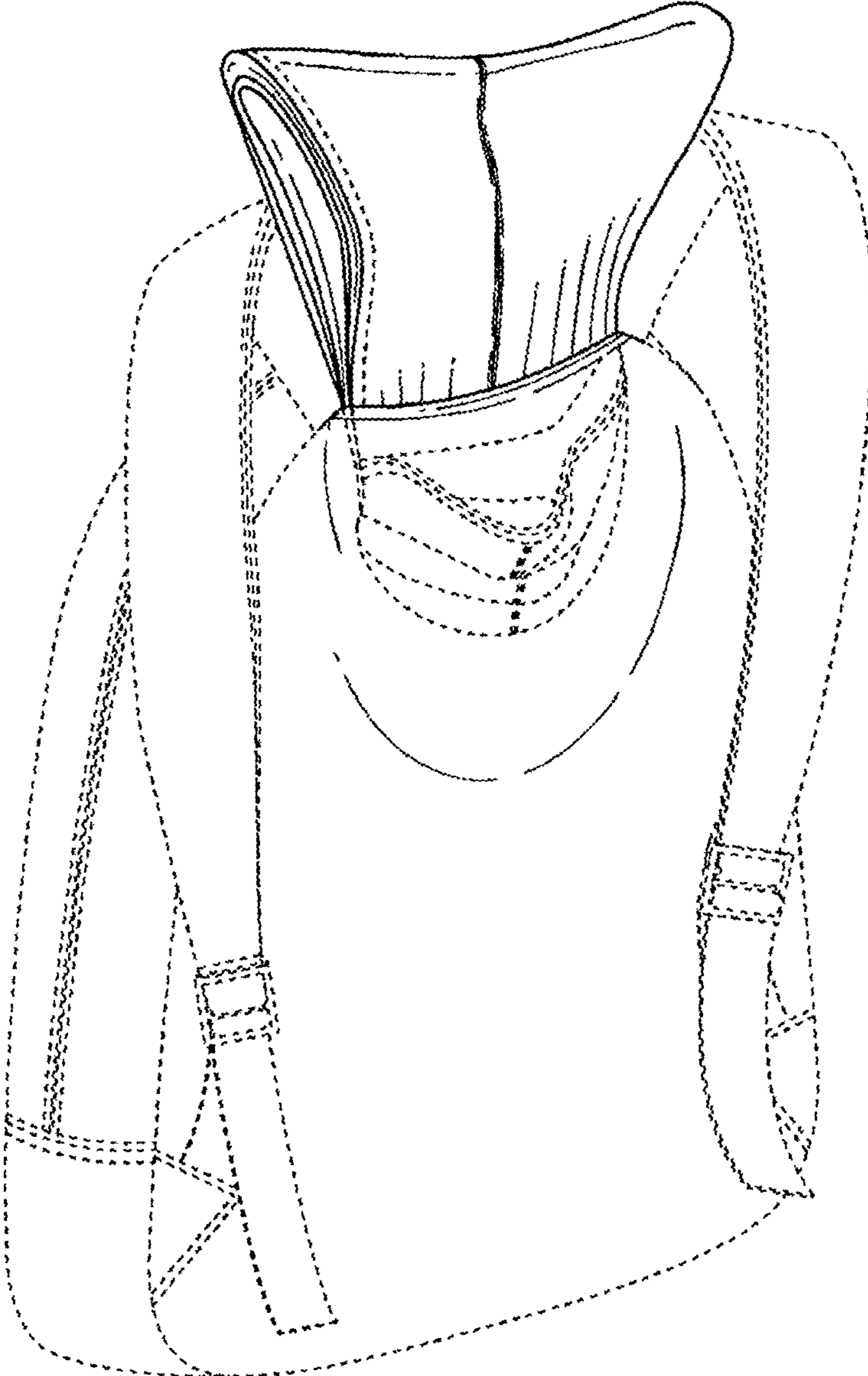


FIG. 8

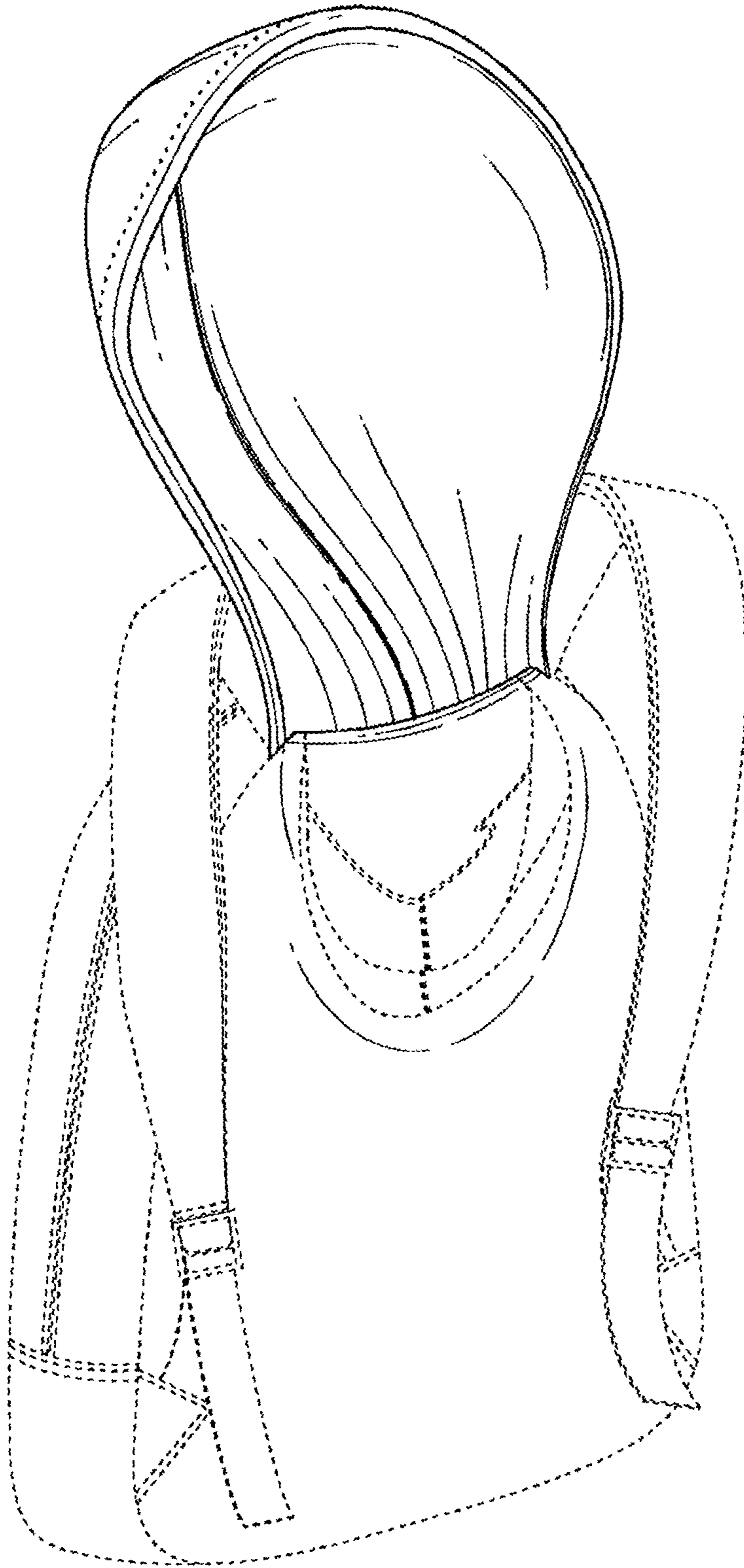


FIG. 9

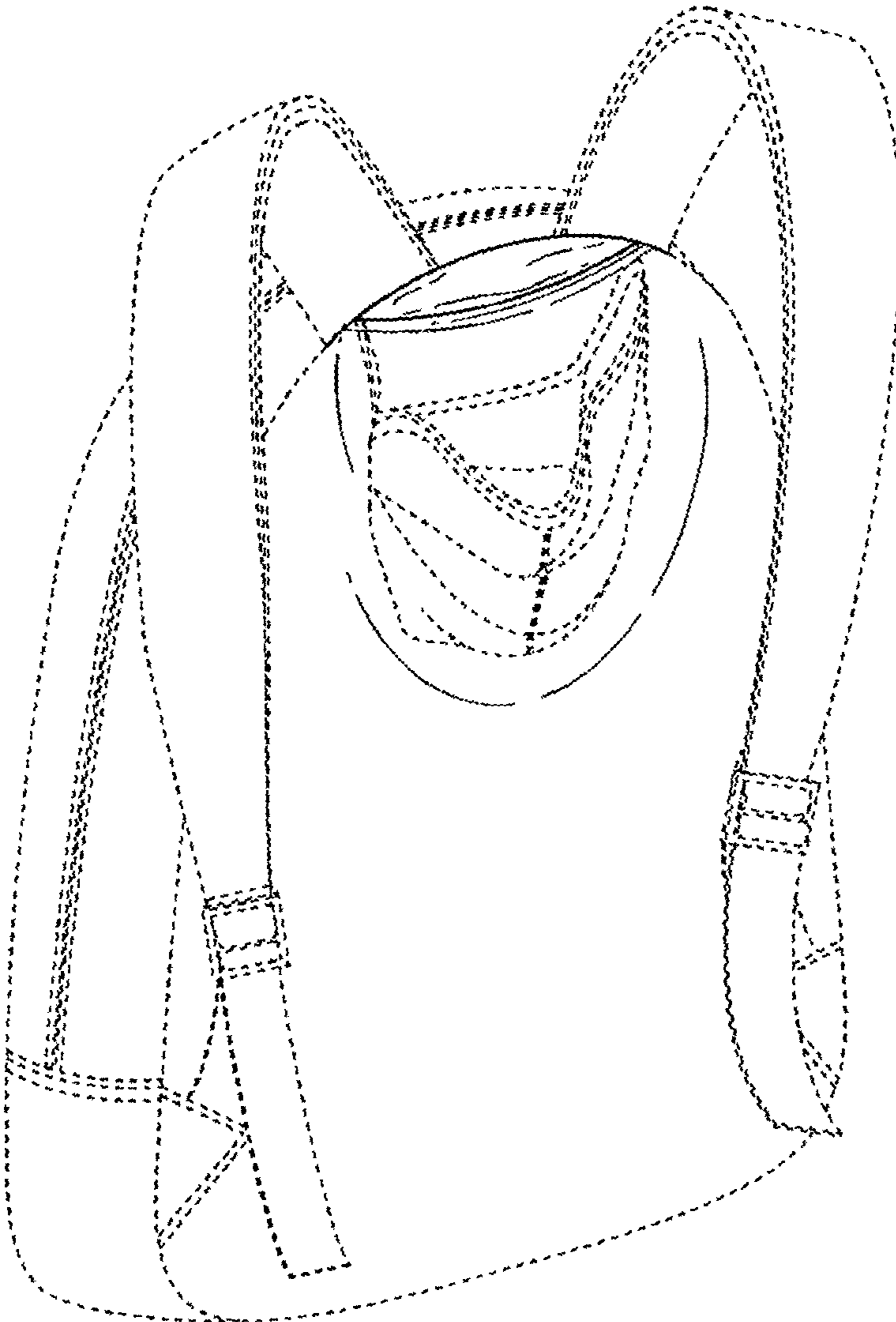


FIG. 10

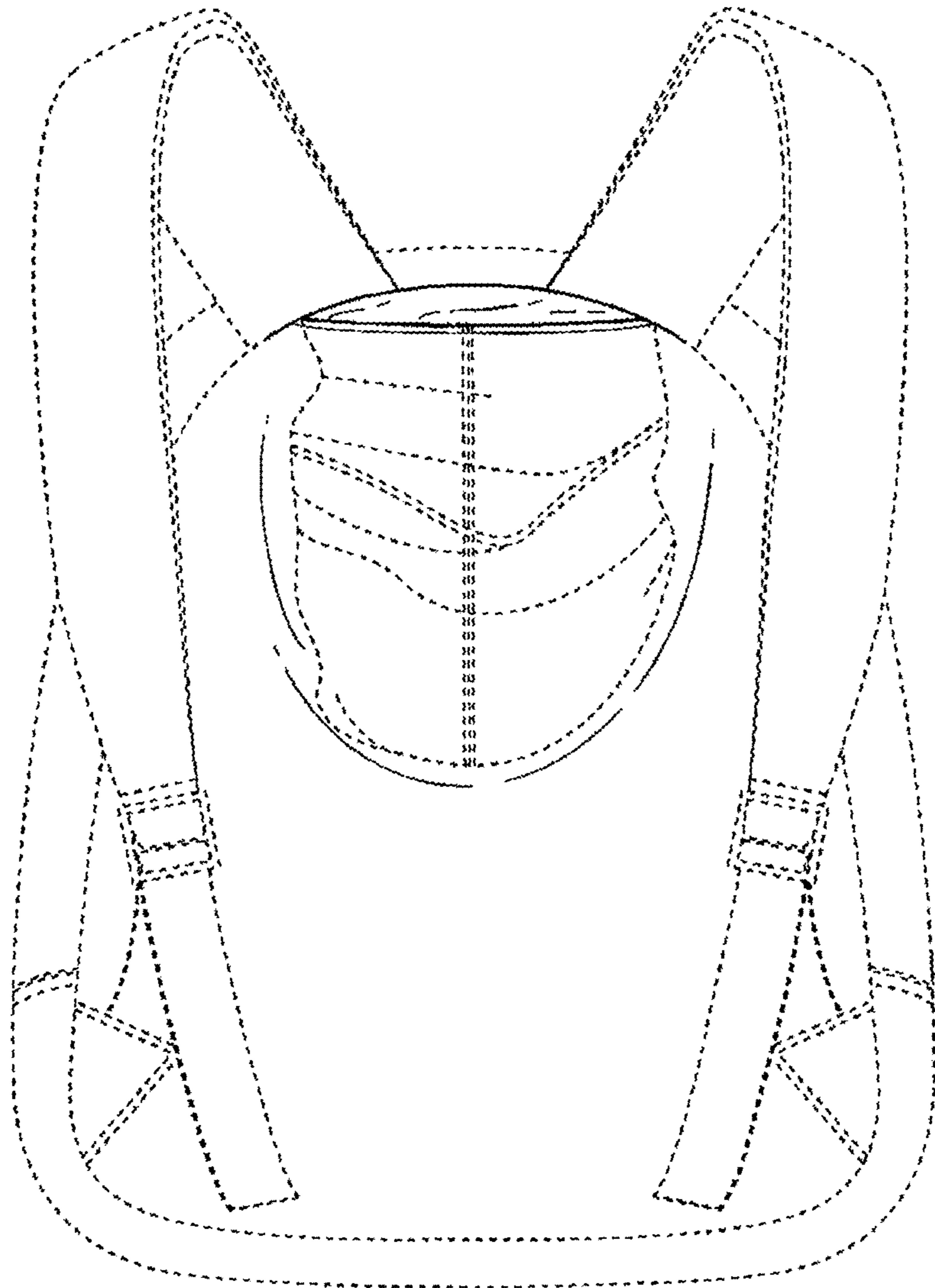


FIG. 11

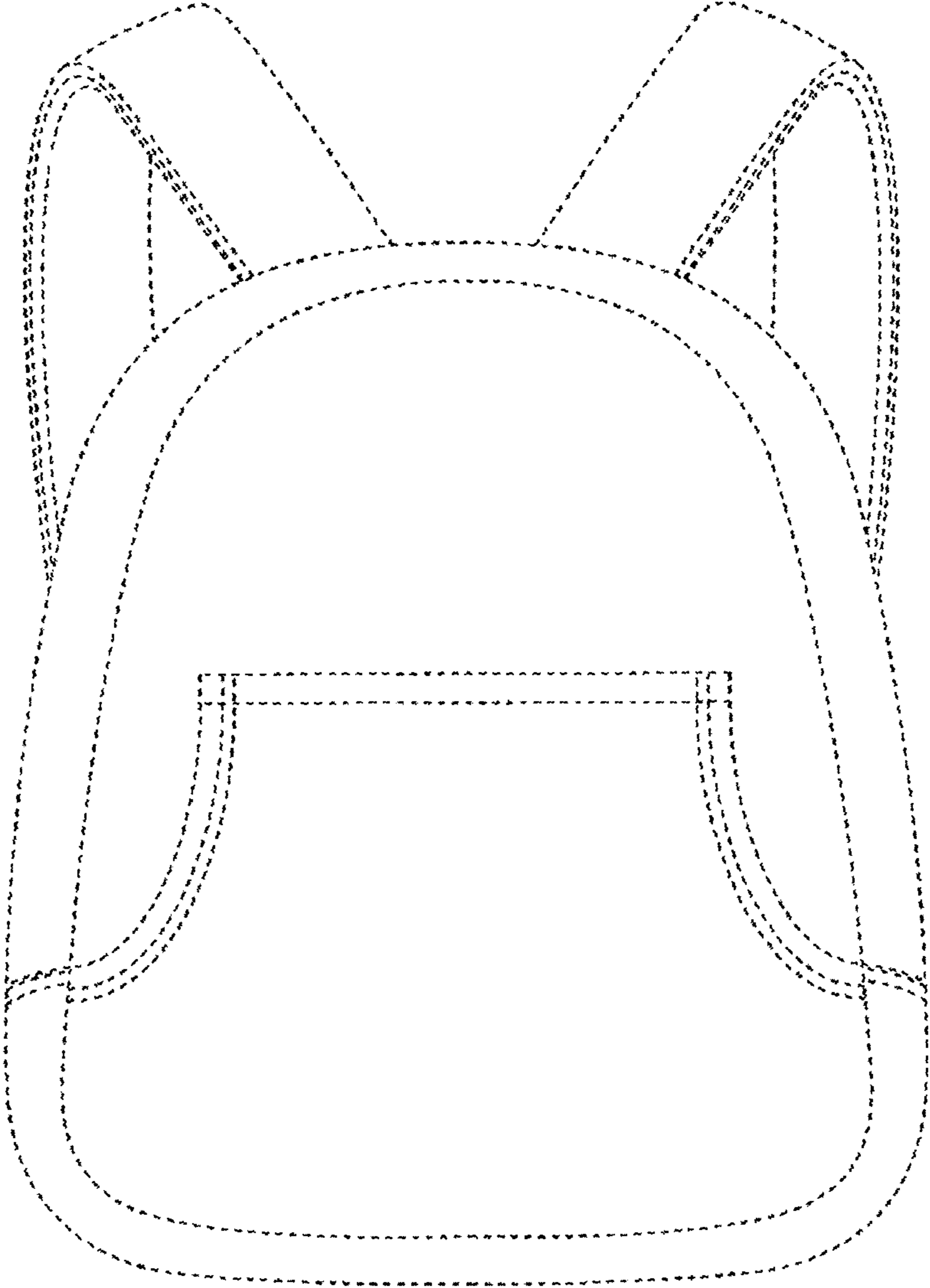


FIG. 12

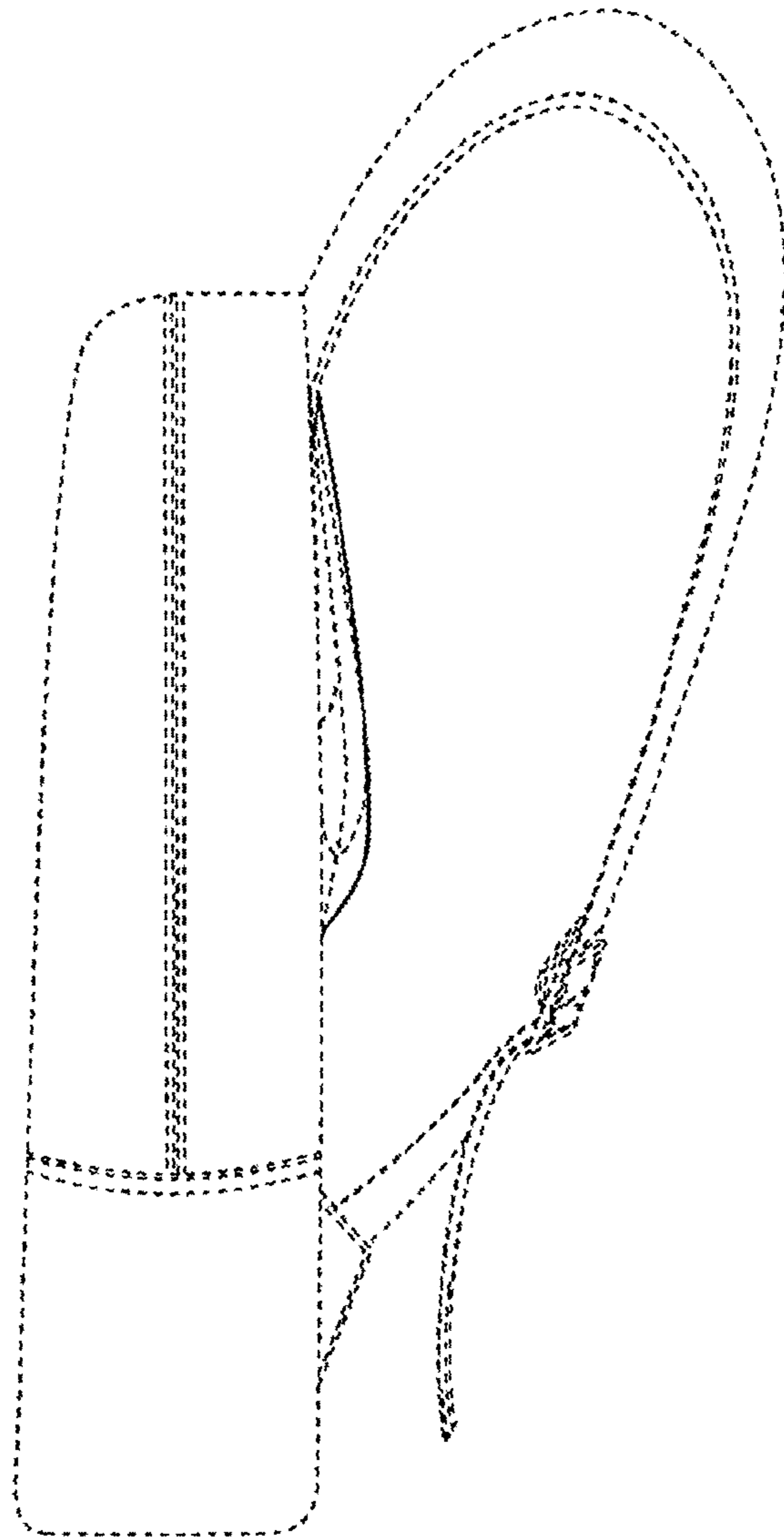


FIG. 13

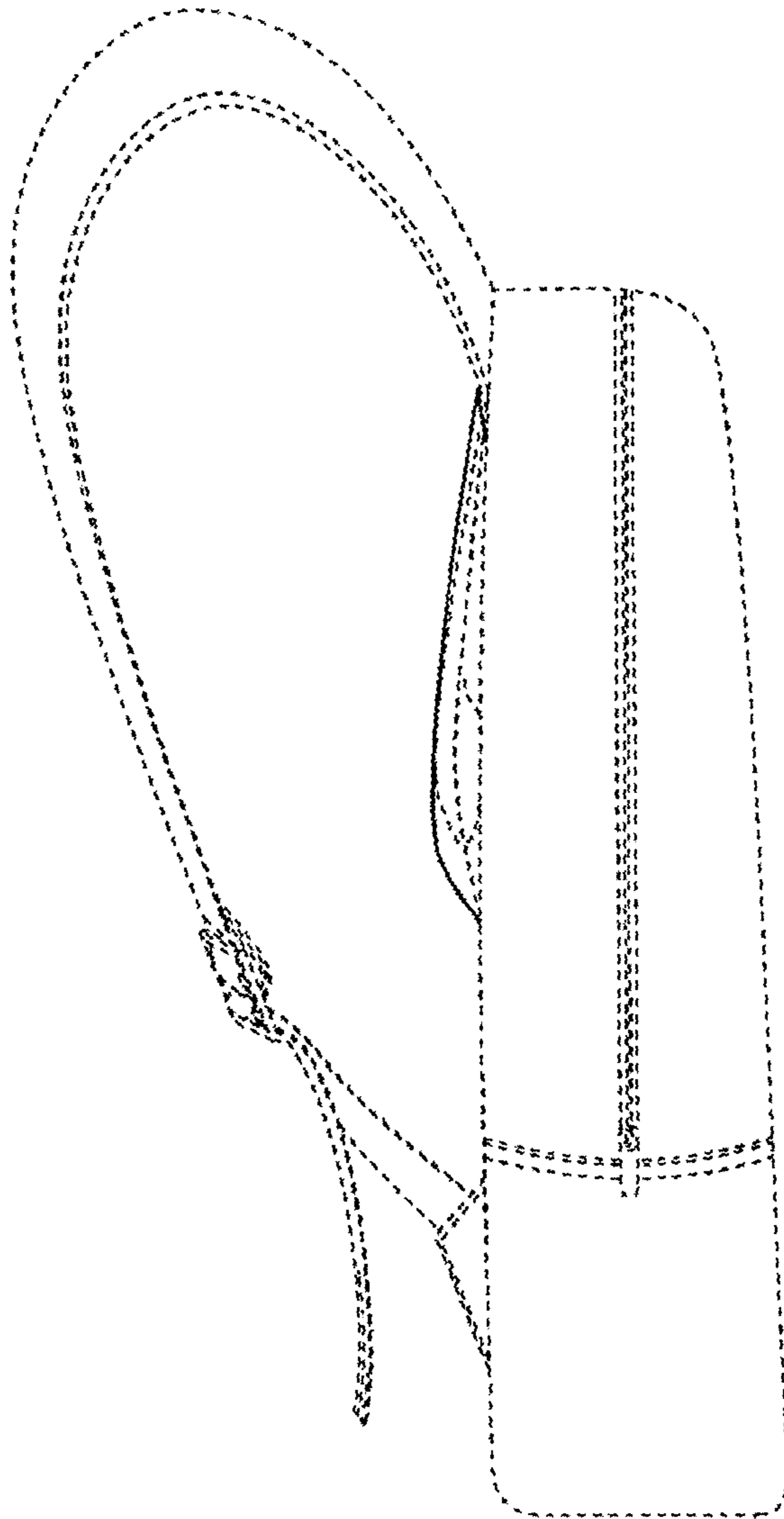


FIG. 14

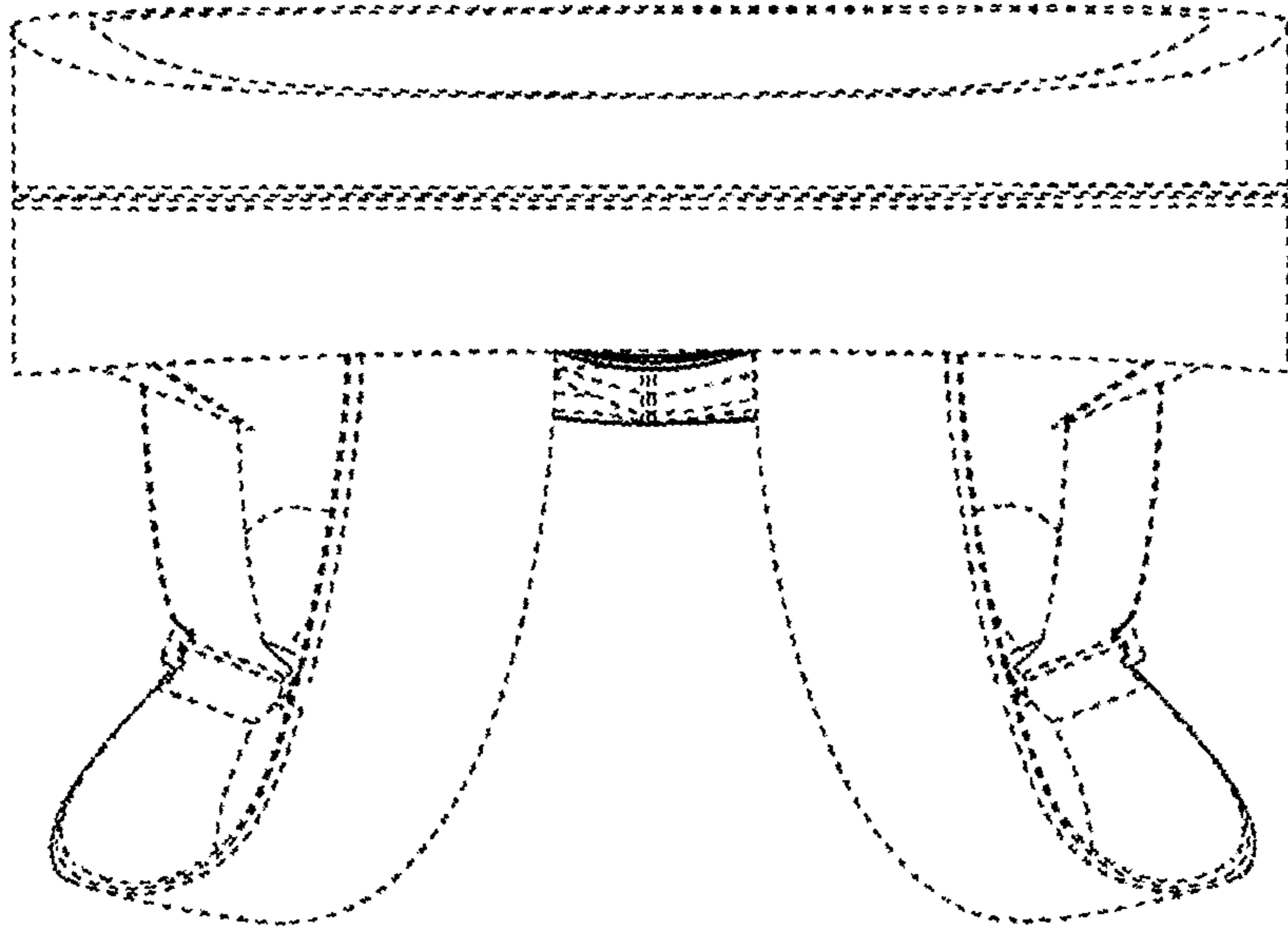


FIG. 15

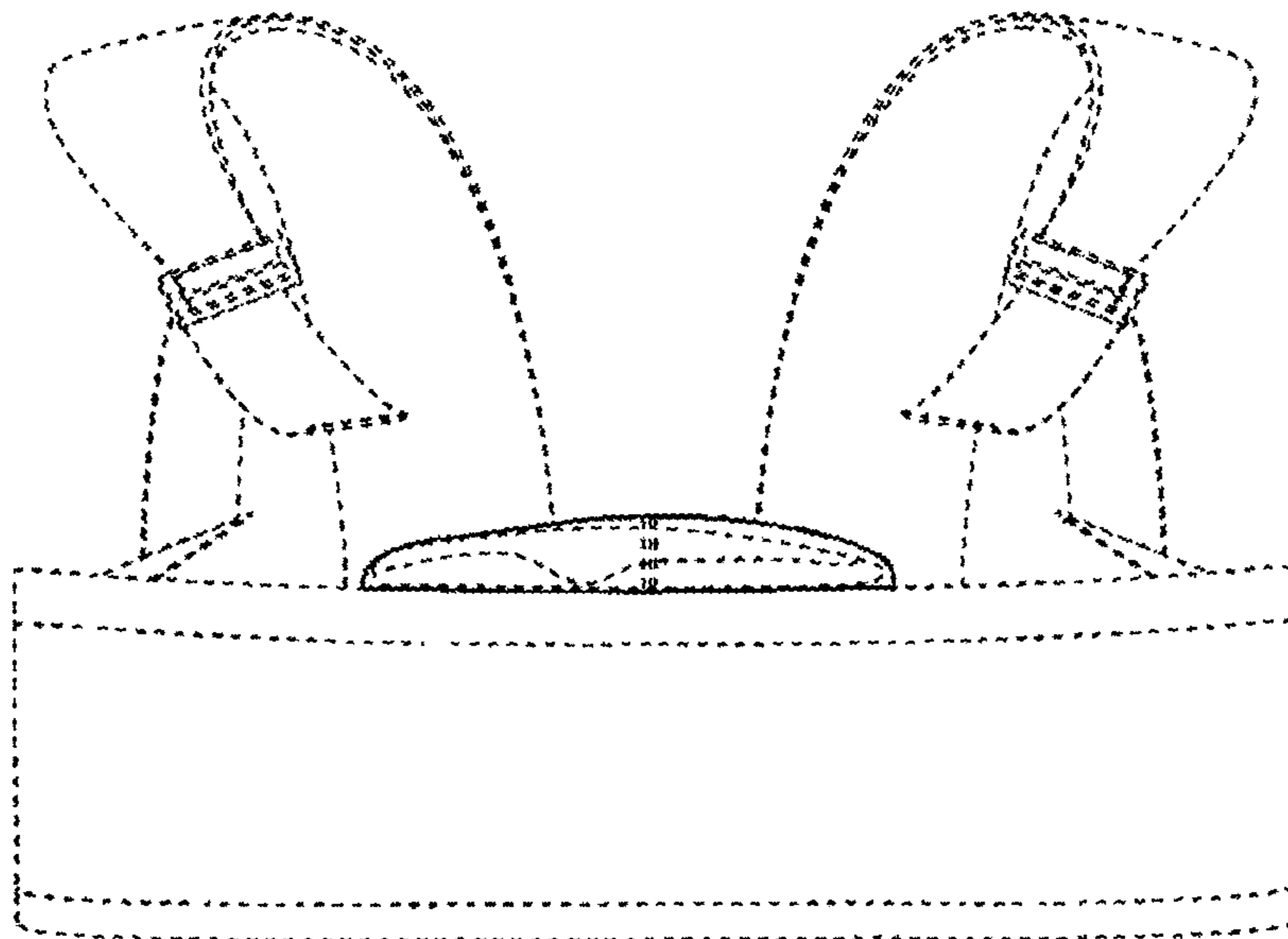


FIG. 16