



US00D888429S

(12) **United States Design Patent** (10) **Patent No.:** **US D888,429 S**
Vega (45) **Date of Patent:** **** Jun. 30, 2020**

(54) **ADJUSTABLE HANGING IRONING BOARD CADDY**

(71) Applicant: **Maria Celia Vega**, Mission, TX (US)

(72) Inventor: **Maria Celia Vega**, Mission, TX (US)

(**) Term: **15 Years**

(21) Appl. No.: **29/681,621**

(22) Filed: **Feb. 27, 2019**

(51) **LOC (12) Cl.** **09-04**

(52) **U.S. Cl.**
USPC **D3/307**

(58) **Field of Classification Search**
USPC D3/304, 306, 307, 312, 313, 314, 315
CPC A44B 18/0023
See application file for complete search history.

(56) **References Cited**

U.S. PATENT DOCUMENTS

D198,236	S *	5/1964	Schaefer	D3/308
4,154,010	A *	5/1979	Evans	D06F 81/00 248/311.2
4,535,921	A	8/1985	Sanders		
5,379,536	A	1/1995	Lorenzana		
5,743,417	A	4/1998	Mathis		
5,797,491	A *	8/1998	Fierek	B25H 3/00 206/373
D604,047	S *	11/2009	Williams	D3/310
D673,368	S *	1/2013	Scott	D3/304
D688,589	S *	8/2013	Hung	D11/148
D695,346	S *	12/2013	Kong	D19/78
D722,233	S *	2/2015	Inskeep	D3/315
9,512,557	B1 *	12/2016	Snipe	D06F 83/00
D825,925	S *	8/2018	Tam	D3/312

D866,973	S *	11/2019	Snell	D3/314
2006/0099057	A1 *	5/2006	Fair	B60R 11/00 414/408
2006/0261113	A1 *	11/2006	Godshaw	A01K 97/00 224/576
2006/0272466	A1 *	12/2006	Atwater	A21C 11/106 83/620
2019/0367218	A1 *	12/2019	Vega	B65D 25/30

* cited by examiner

Primary Examiner — Kevin K Rudzinski

Assistant Examiner — Amber J Rabie

(74) *Attorney, Agent, or Firm* — Boudwin Intellectual Property; Daniel Boudwin

(57) **CLAIM**

The ornamental design for an adjustable hanging ironing board caddy, as shown and described.

DESCRIPTION

FIG. 1 shows a perspective view of an adjustable hanging ironing board caddy;

FIG. 2 shows a front view of the adjustable hanging ironing board caddy;

FIG. 3 shows a rear view of the adjustable hanging ironing board caddy;

FIG. 4 shows a right side view of the adjustable hanging ironing board caddy;

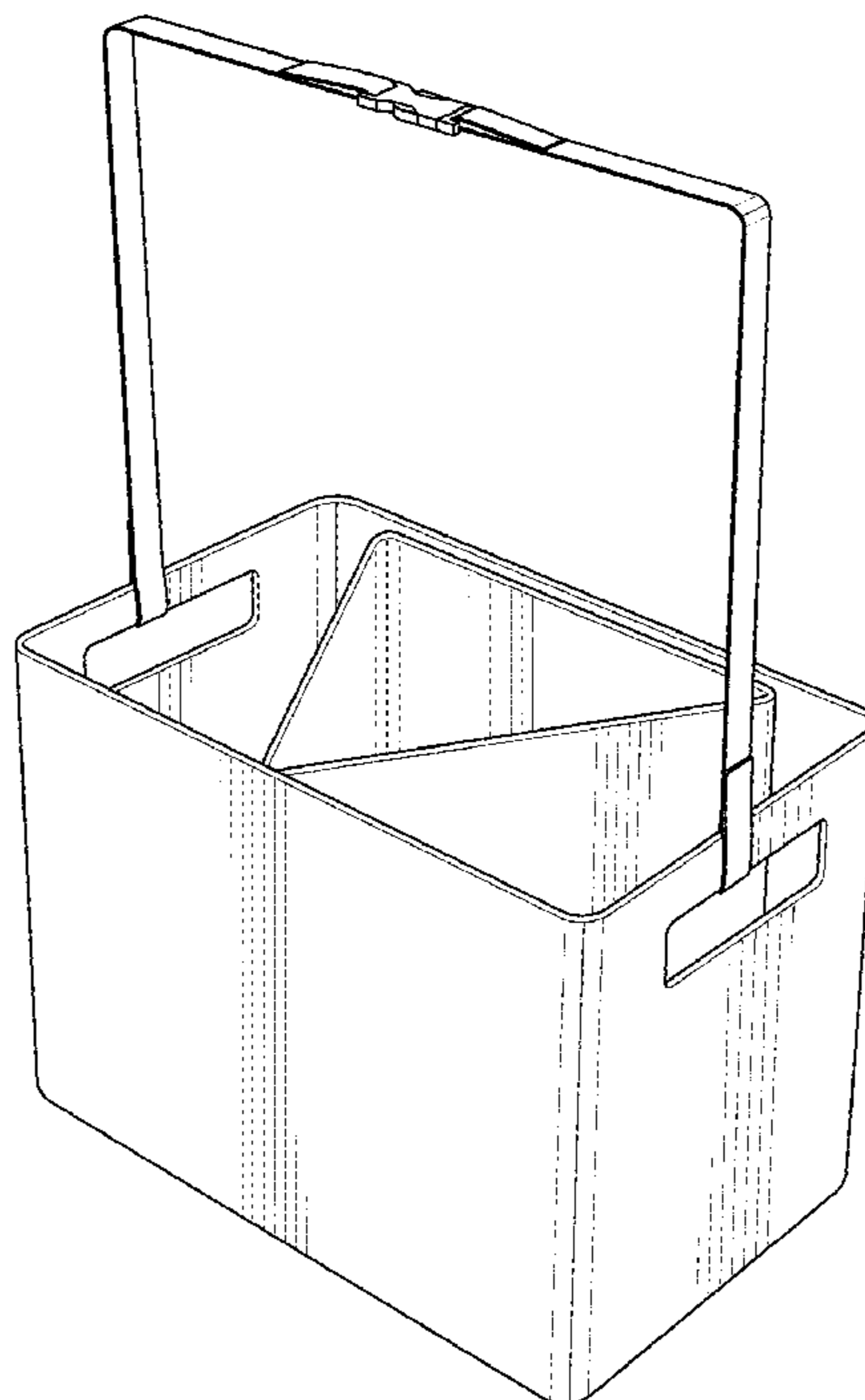
FIG. 5 shows a left side view of the adjustable hanging ironing board caddy;

FIG. 6 shows a top plan view of the adjustable hanging ironing board caddy; and,

FIG. 7 shows a bottom plan view of the adjustable hanging ironing board caddy.

The shade lines in the Figures show contour and not surface ornamentation.

1 Claim, 5 Drawing Sheets



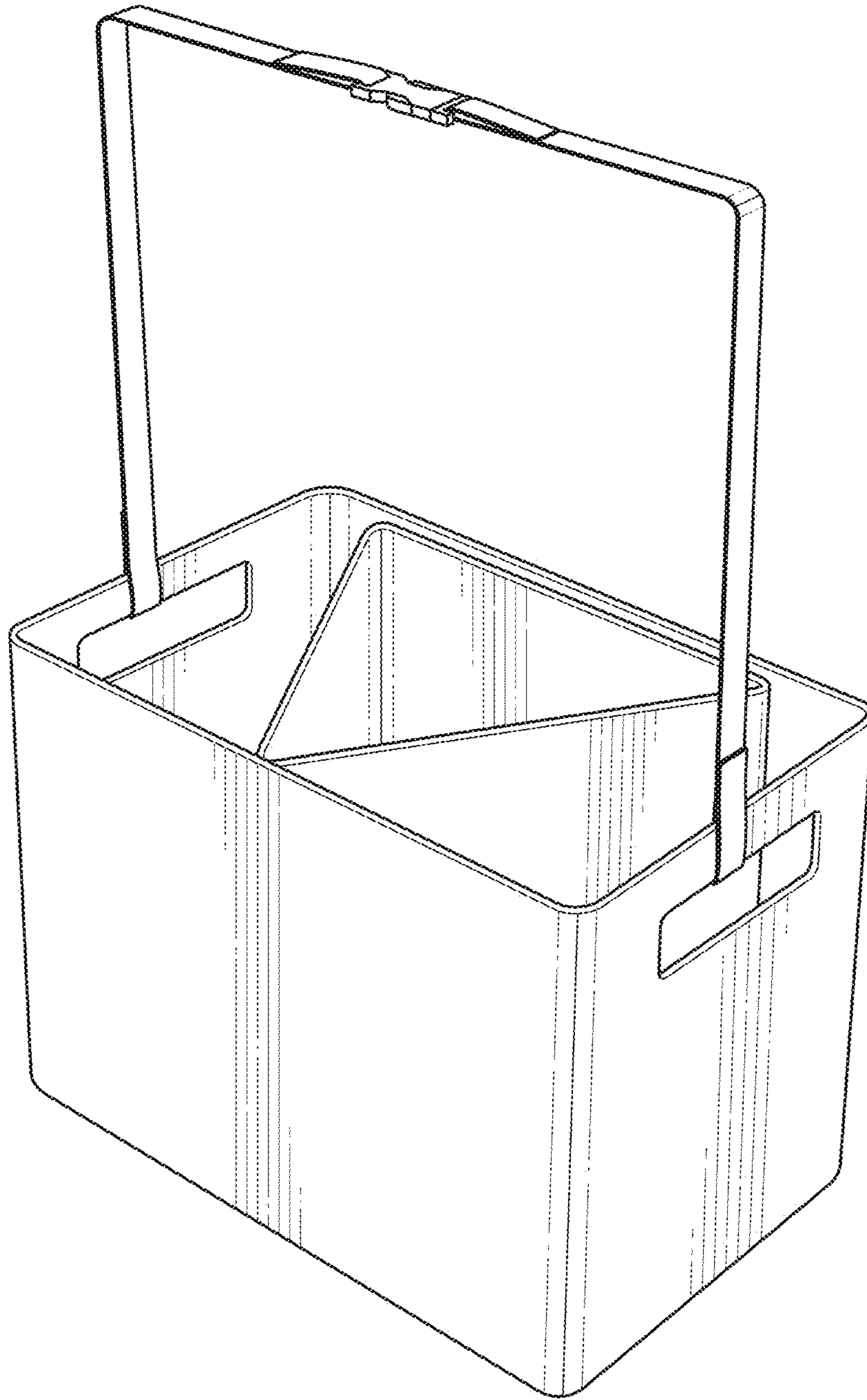


FIG. 1

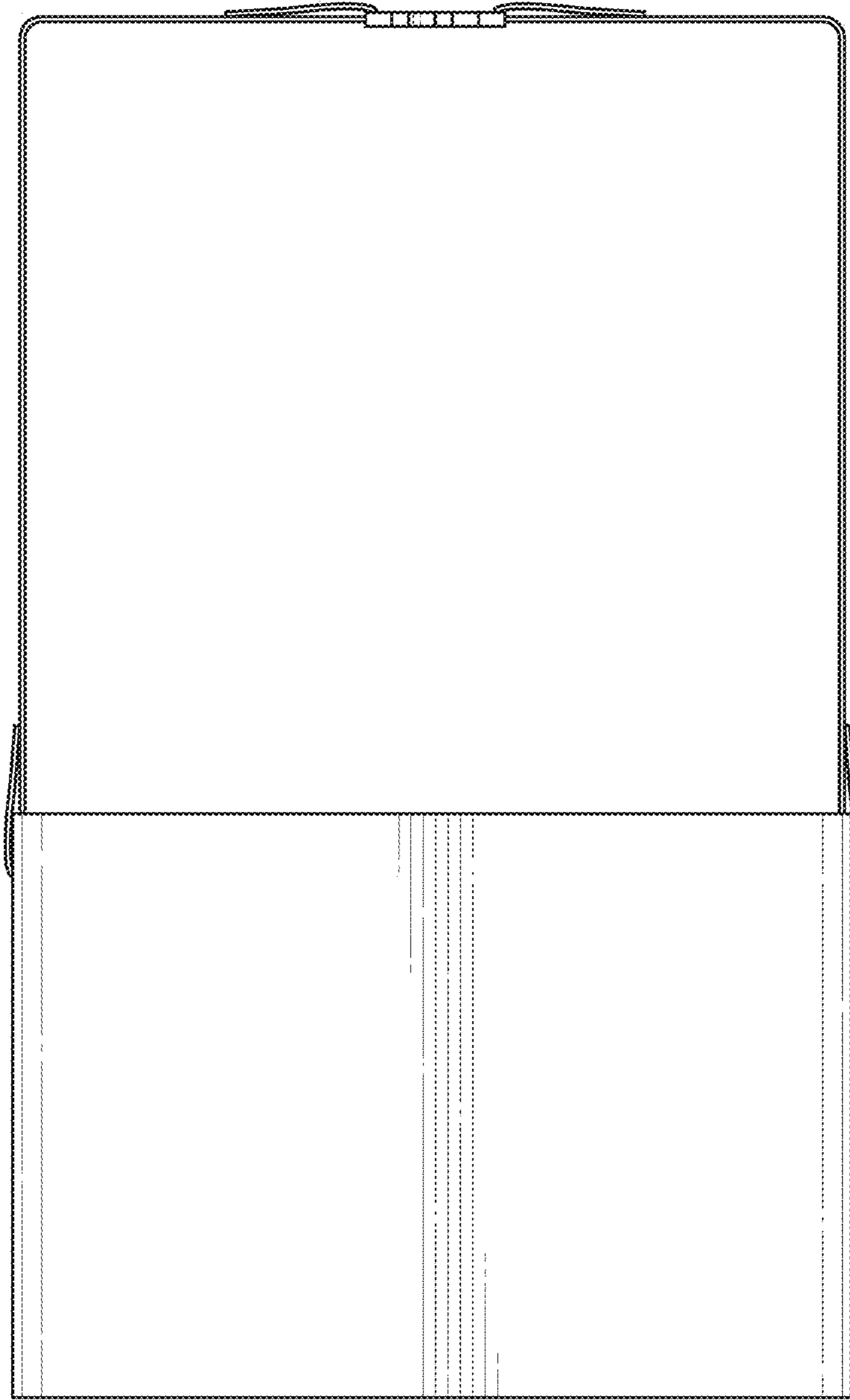


FIG. 2

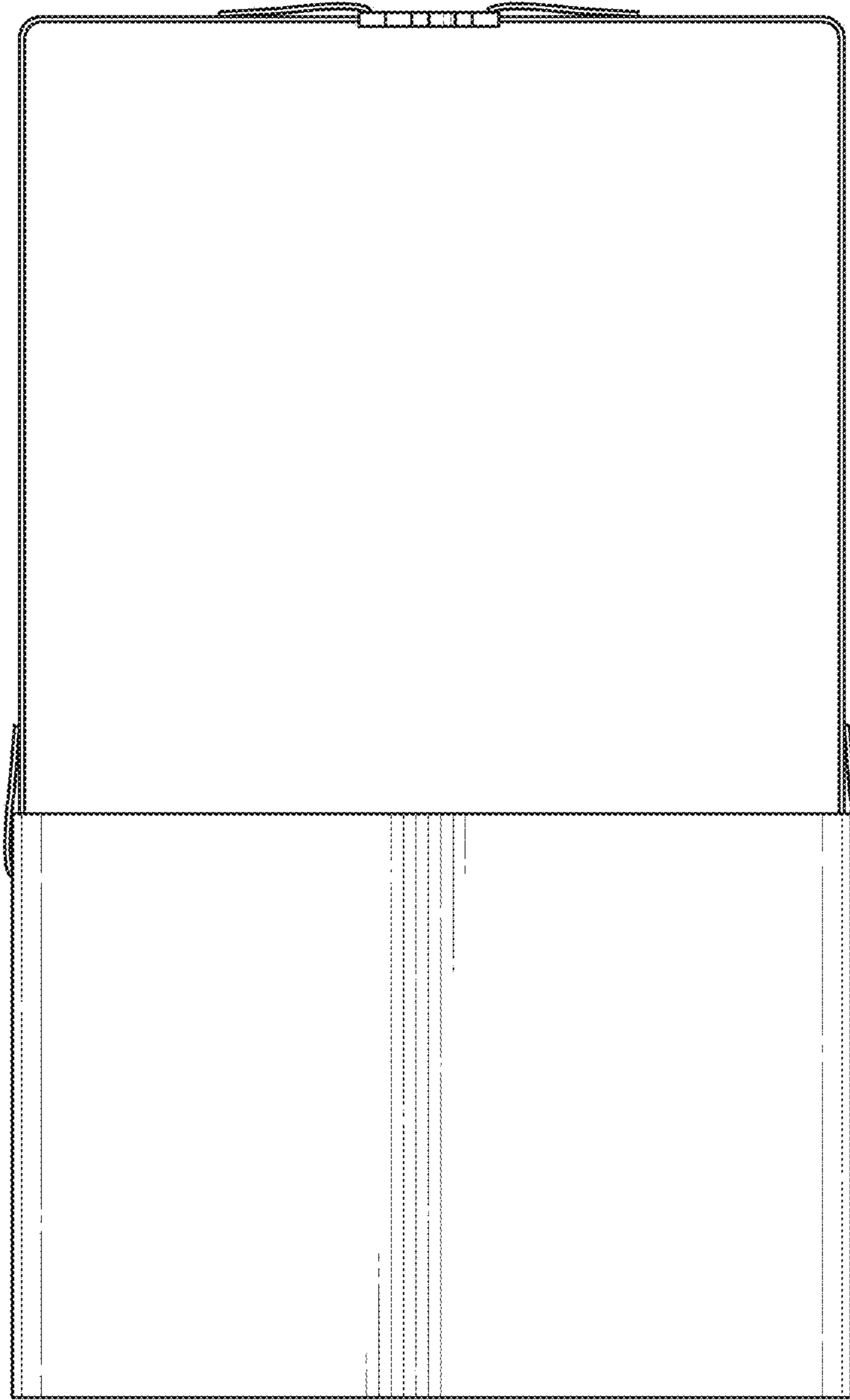


FIG. 3

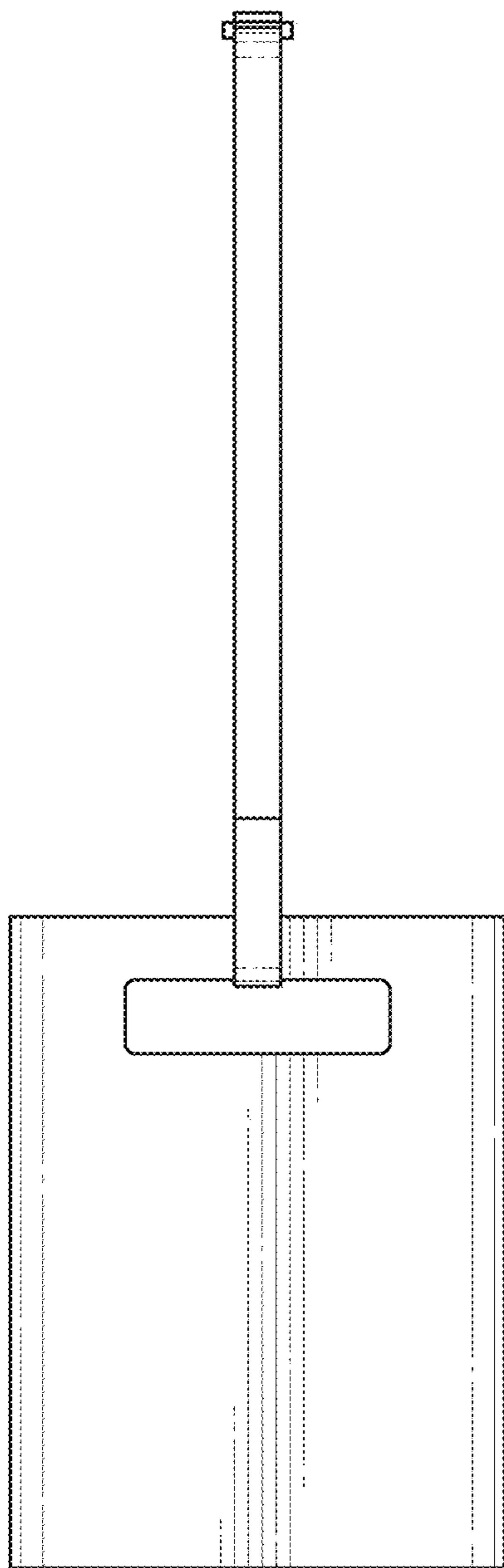


FIG. 4

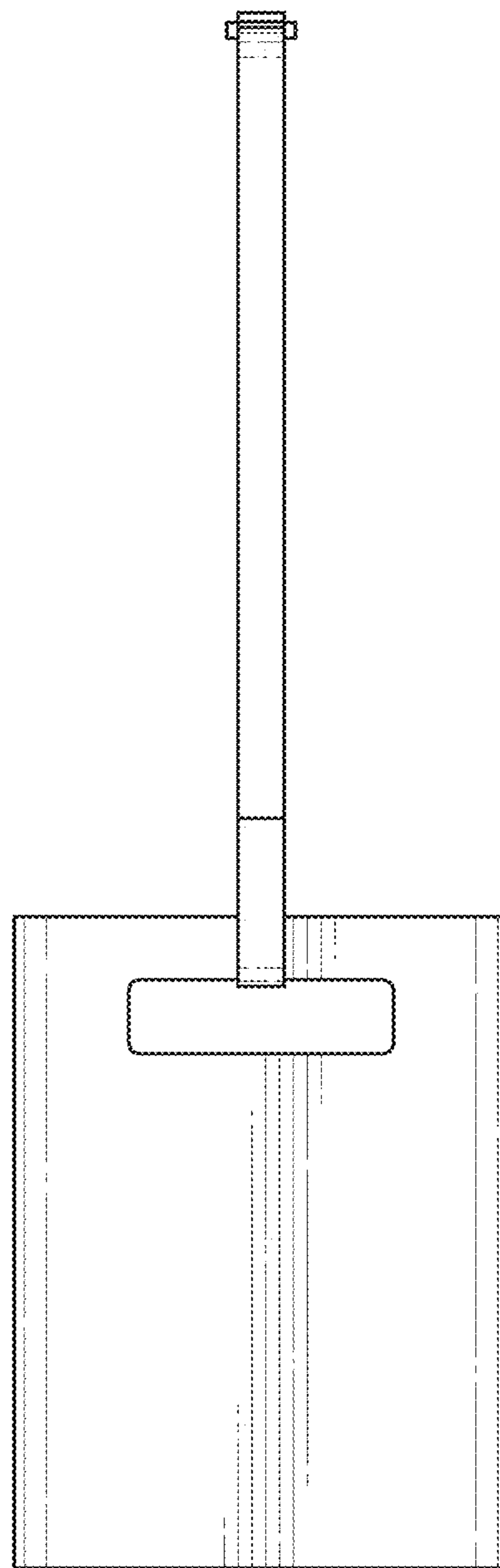


FIG. 5

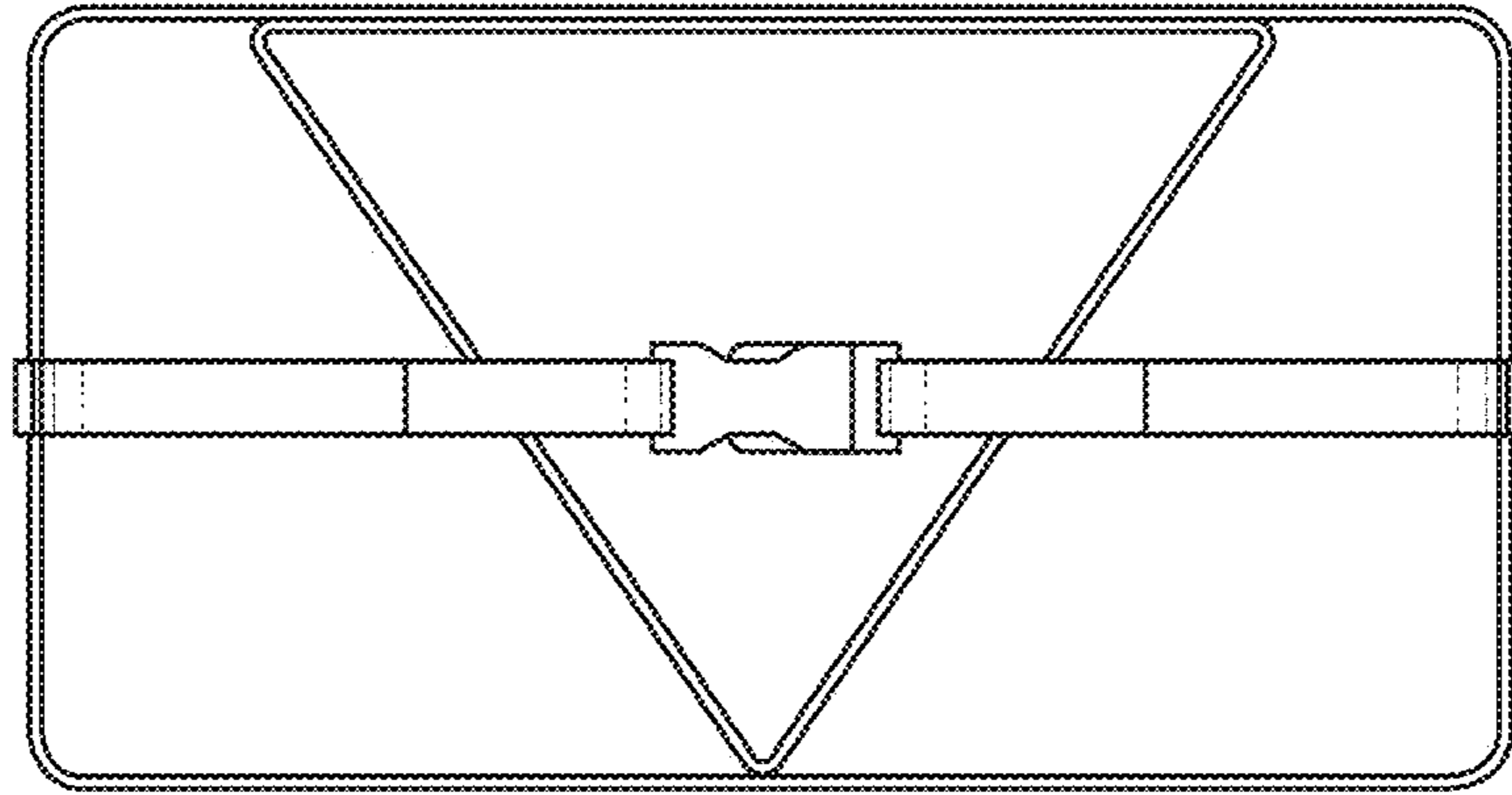


FIG. 6

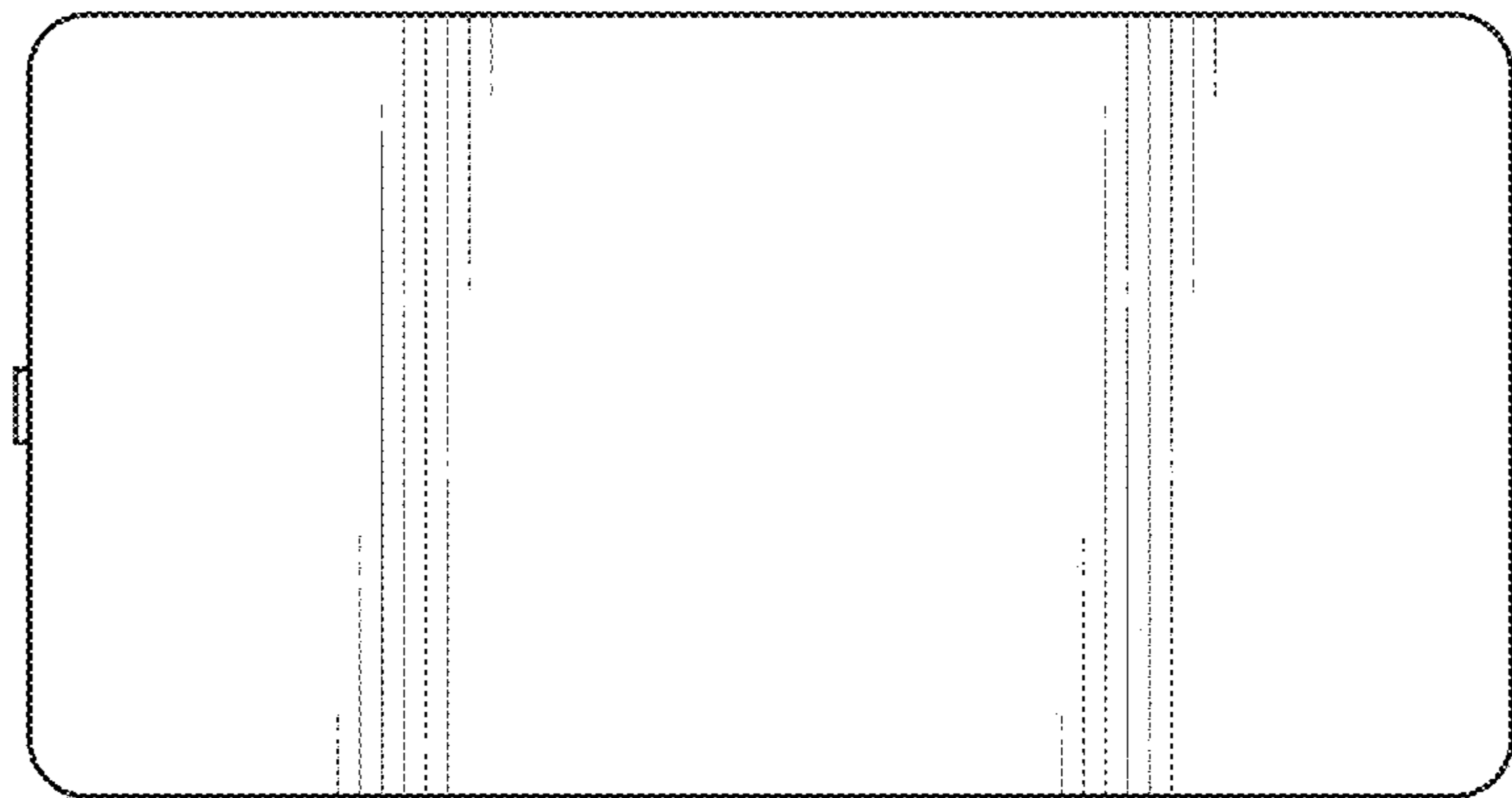


FIG. 7