



US00D888424S

(12) **United States Design Patent**
Huang

(10) **Patent No.:** **US D888,424 S**
(45) **Date of Patent:** **** Jun. 30, 2020**

(54) **COSMETIC CASE**

(71) Applicant: **Zhijia Huang**, Guangzhou (CN)

(72) Inventor: **Zhijia Huang**, Guangzhou (CN)

(**) Term: **15 Years**

(21) Appl. No.: **29/704,317**

(22) Filed: **Sep. 4, 2019**

(51) **LOC (12) Cl.** **03-01**

(52) **U.S. Cl.**
USPC **D3/284; D3/295; D3/901**

(58) **Field of Classification Search**
USPC D3/20, 201, 203.6, 206, 233, 267, 271.1,
D3/273, 274, 276, 283, 284, 285, 287,
D3/289, 295, 900, 901, 905, 301, 903;
D7/607

CPC B25H 3/003; B25H 3/02; A45C 11/00;
A45C 2013/025; A45C 11/38; A45C
11/34; A45C 5/005; A45C 2003/008;
A45C 3/00

See application file for complete search history.

(56) **References Cited**

U.S. PATENT DOCUMENTS

D261,825 S *	11/1981	Benson	D3/275
D290,536 S *	6/1987	Nadel	D28/83
5,941,255 A *	8/1999	Chen	A45C 5/005
				132/286
D417,783 S *	12/1999	Wolf	D3/275
D432,309 S *	10/2000	Tsai	D3/305
D443,137 S *	6/2001	Lai	D28/83
D485,682 S *	1/2004	Wolf	D3/291
D641,933 S	7/2011	Chen		
D657,915 S	4/2012	Lai		
D692,183 S	10/2013	Lai		
D746,588 S *	1/2016	Pourmehr	D3/275
D779,201 S *	2/2017	Beilman	D3/284

OTHER PUBLICATIONS

Amazon, "Joligrace Makeup Box Cosmetic Train Case Jewelry Organizer Box—2 Trays Key Lock Portable Carrying with Mirror Travel Storage Modern Style Black", First reviewed on Jul. 11, 2019. (<https://www.amazon.com/Joligrace-Portable-Cosmetic-Organizer-Lockable/dp/B07V6DZ7KK/>) (Year: 2019).*

(Continued)

Primary Examiner — April Rivas

(74) *Attorney, Agent, or Firm* — KA Filing LLC; Wayne V. Harper

(57) **CLAIM**

I claim the ornamental design for a cosmetic case, as shown and described.

DESCRIPTION

FIG. 1 is a Perspective view of a cosmetic case showing my new design;

FIG. 2 is a Front view of the cosmetic case as shown in FIG. 1;

FIG. 3 is a Back view of the cosmetic case as shown in FIG. 1;

FIG. 4 is a Right-side view of the cosmetic case as shown in FIG. 1;

FIG. 5 is a Left-side view of the cosmetic case as shown in FIG. 1;

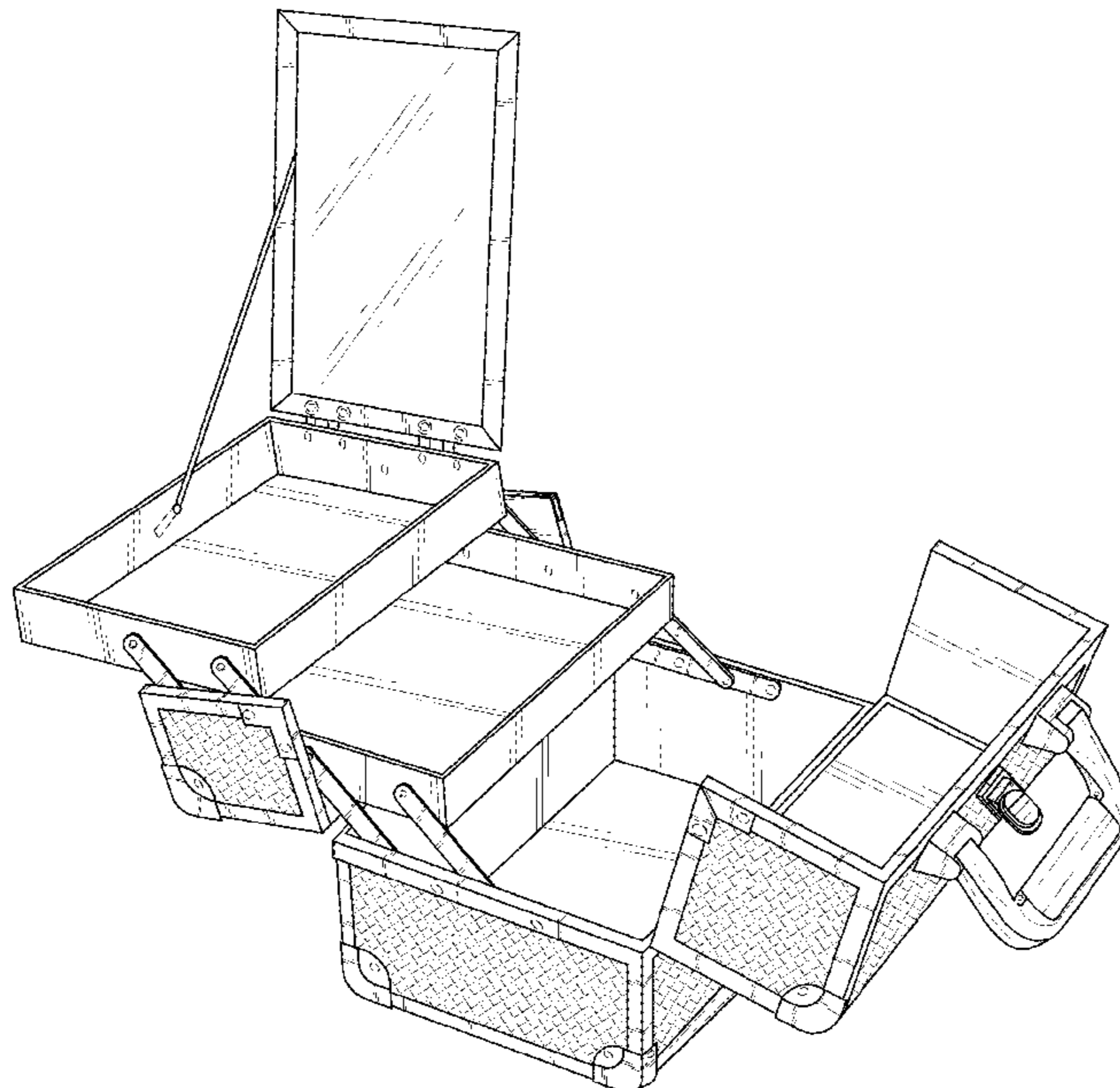
FIG. 6 is a Top view of the cosmetic case as shown in FIG. 1;

FIG. 7 is a Bottom view of the cosmetic case as shown in FIG. 1; and,

FIG. 8 is Opened Perspective view of the cosmetic case as shown in FIG. 1.

The broken lines illustrate portions of the cosmetic case and form no part of the claimed design.

1 Claim, 8 Drawing Sheets



(56)

References Cited

OTHER PUBLICATIONS

Homdox Mini Portable Extendable Makeup Train Case Aluminum Cosmetic Box With Mirror + 2 Keys Jewelry Box Cosmetic Organizer (Silver Black), <https://www.amazon.in/Homdox-Portable-Extendable-Aluminum-Organizer/dp/B01G19BFH0>.

Joligrace Makeup Train Case Portable Cosmetic Box Jewelry Organizer Lockable with Keys and Mirror 2-Tier Trays Carrying with Handle Makeup Storage Box—Mermaid Pink, <https://www.amazon.com/Joligrace-Portable-Cosmetic-Organizer-Lockable/dp/B07S3DQSM6>.

* cited by examiner

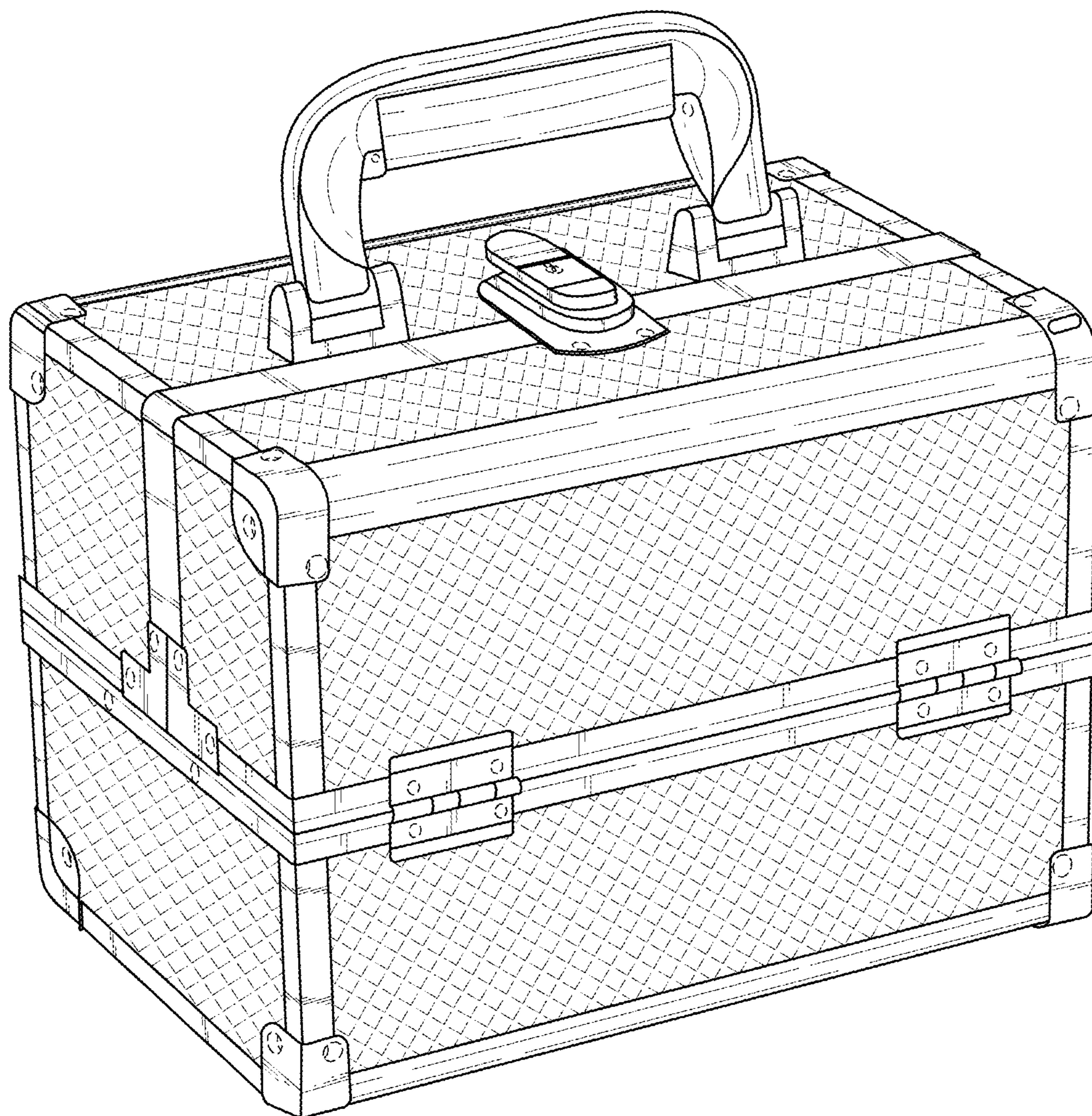


FIG. 1

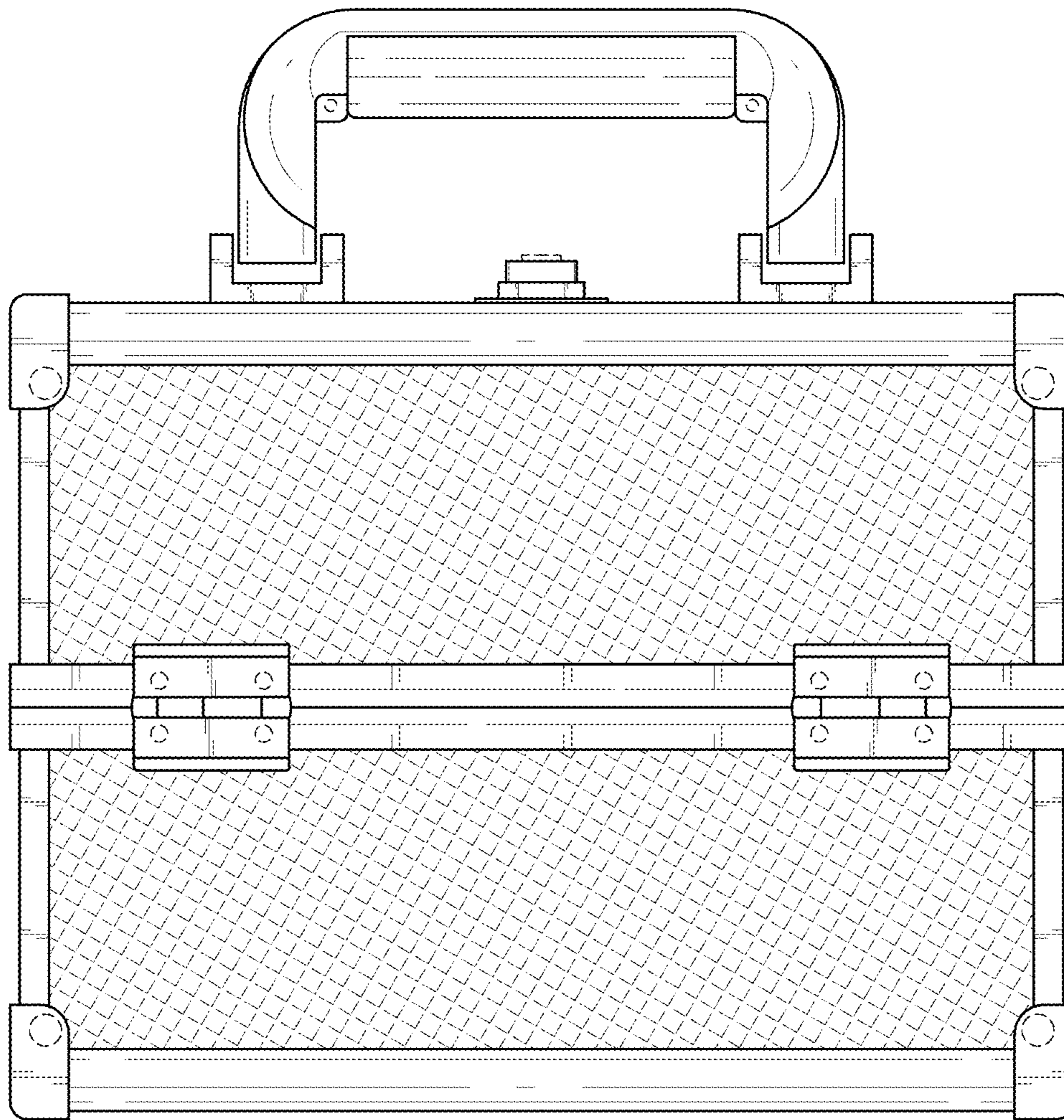


FIG. 2

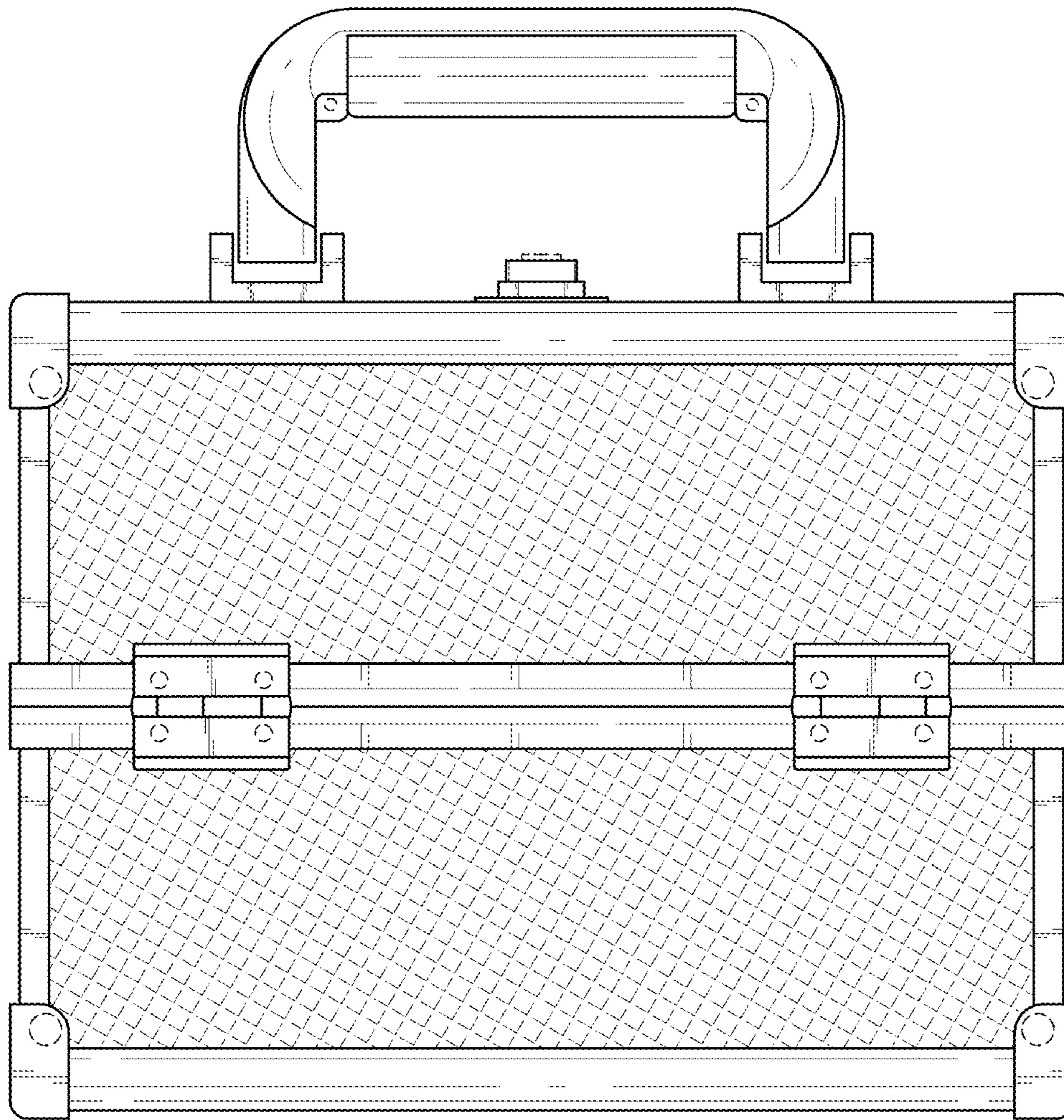


FIG. 3

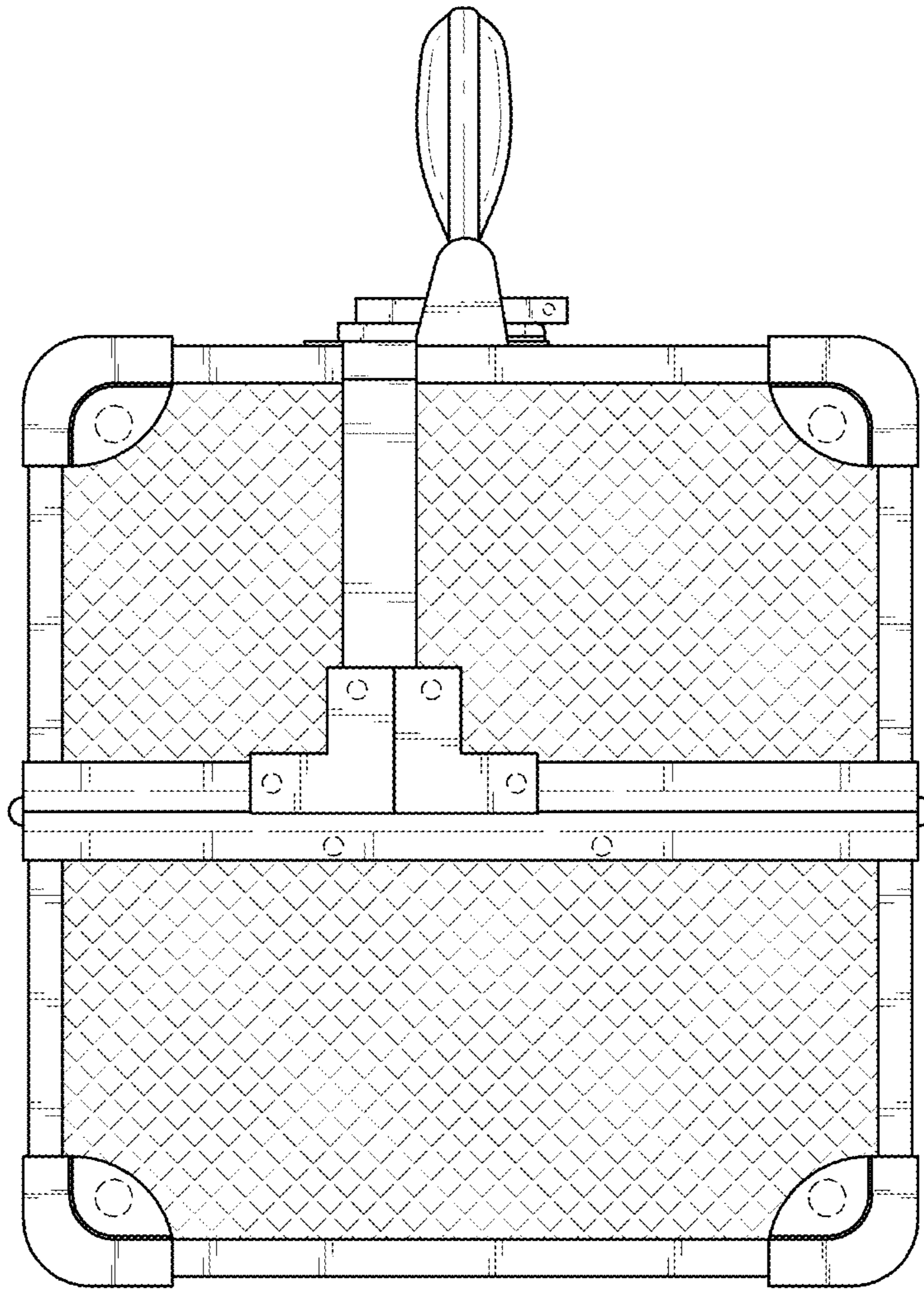


FIG. 4

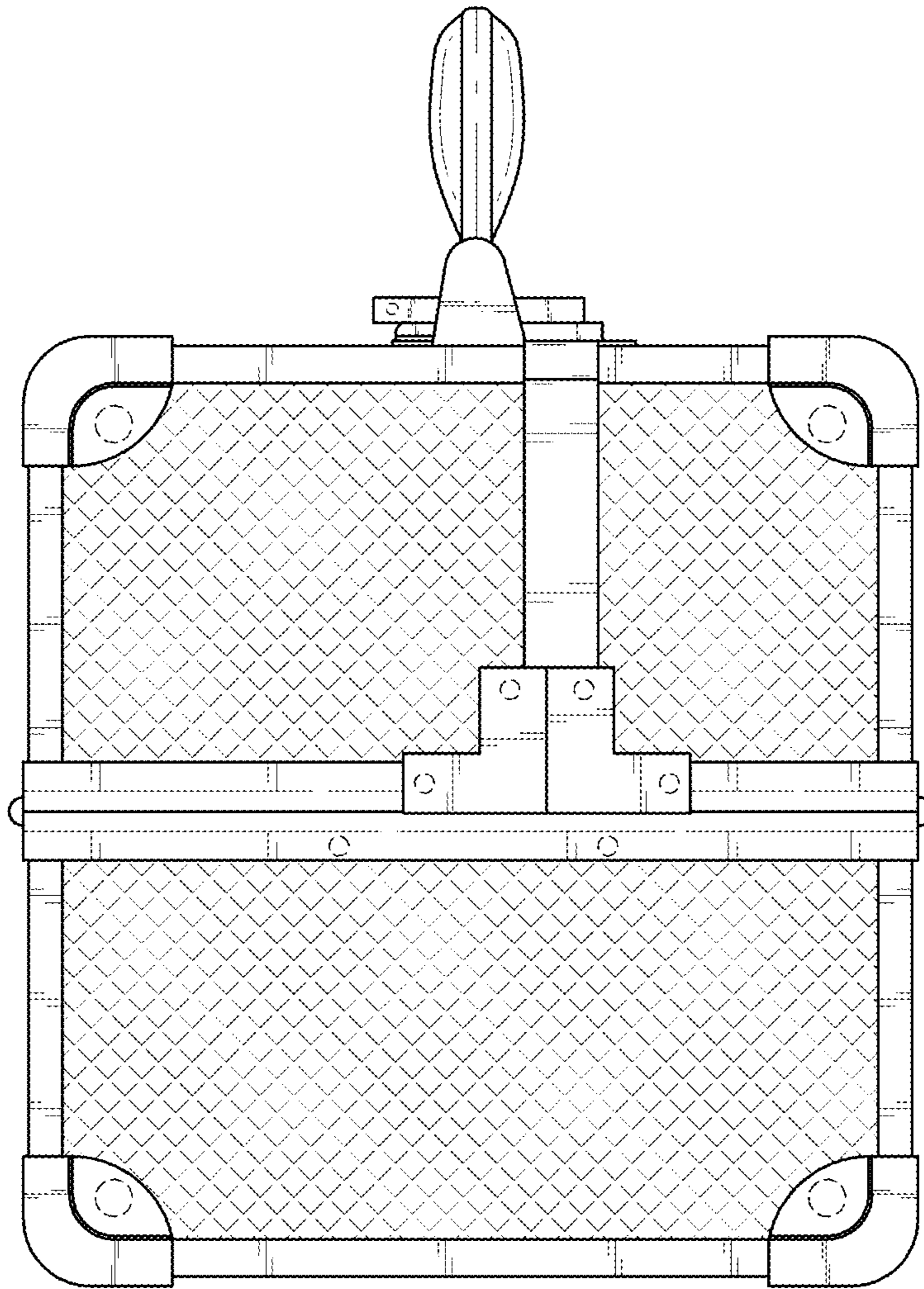


FIG. 5

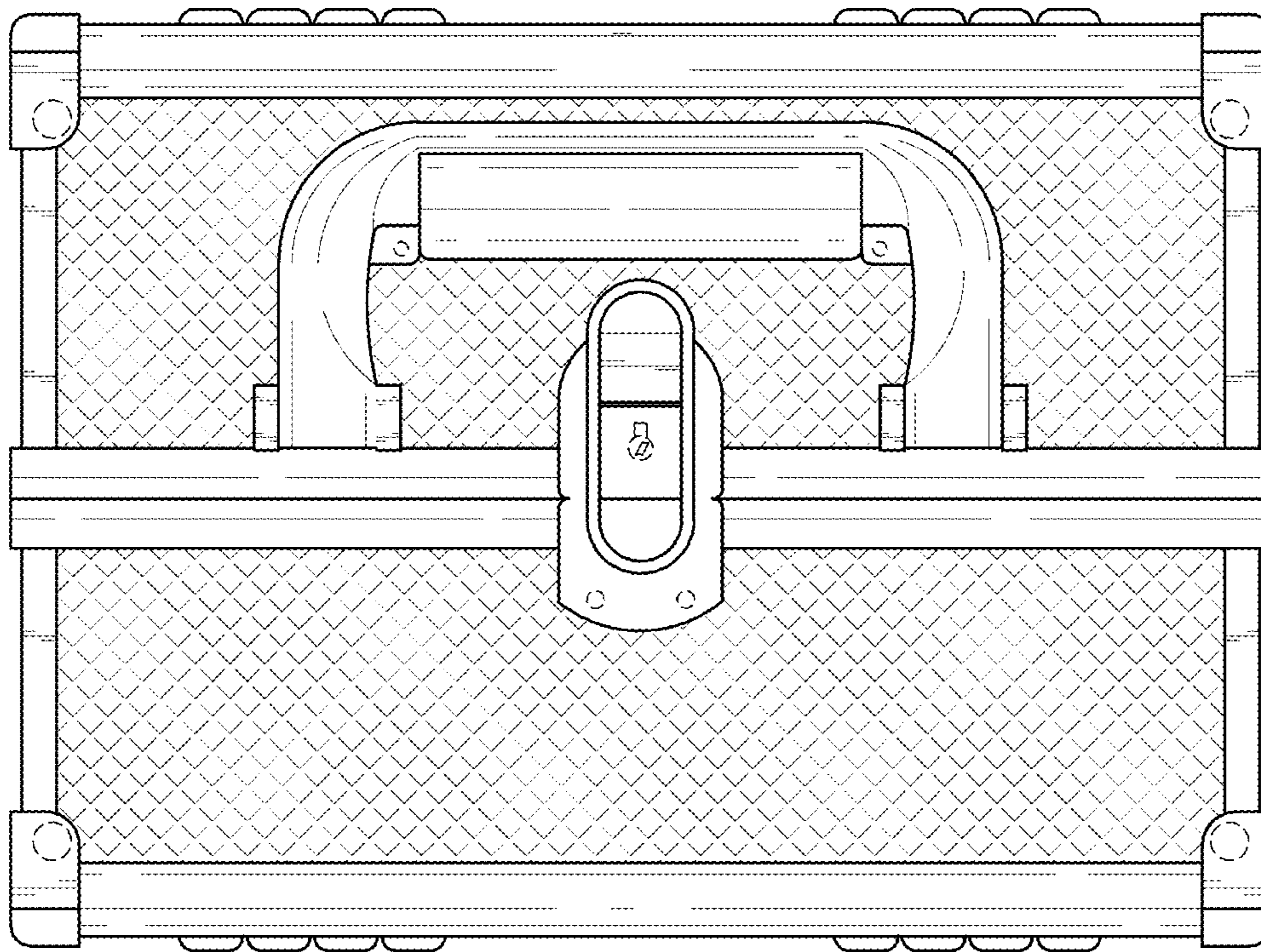


FIG. 6

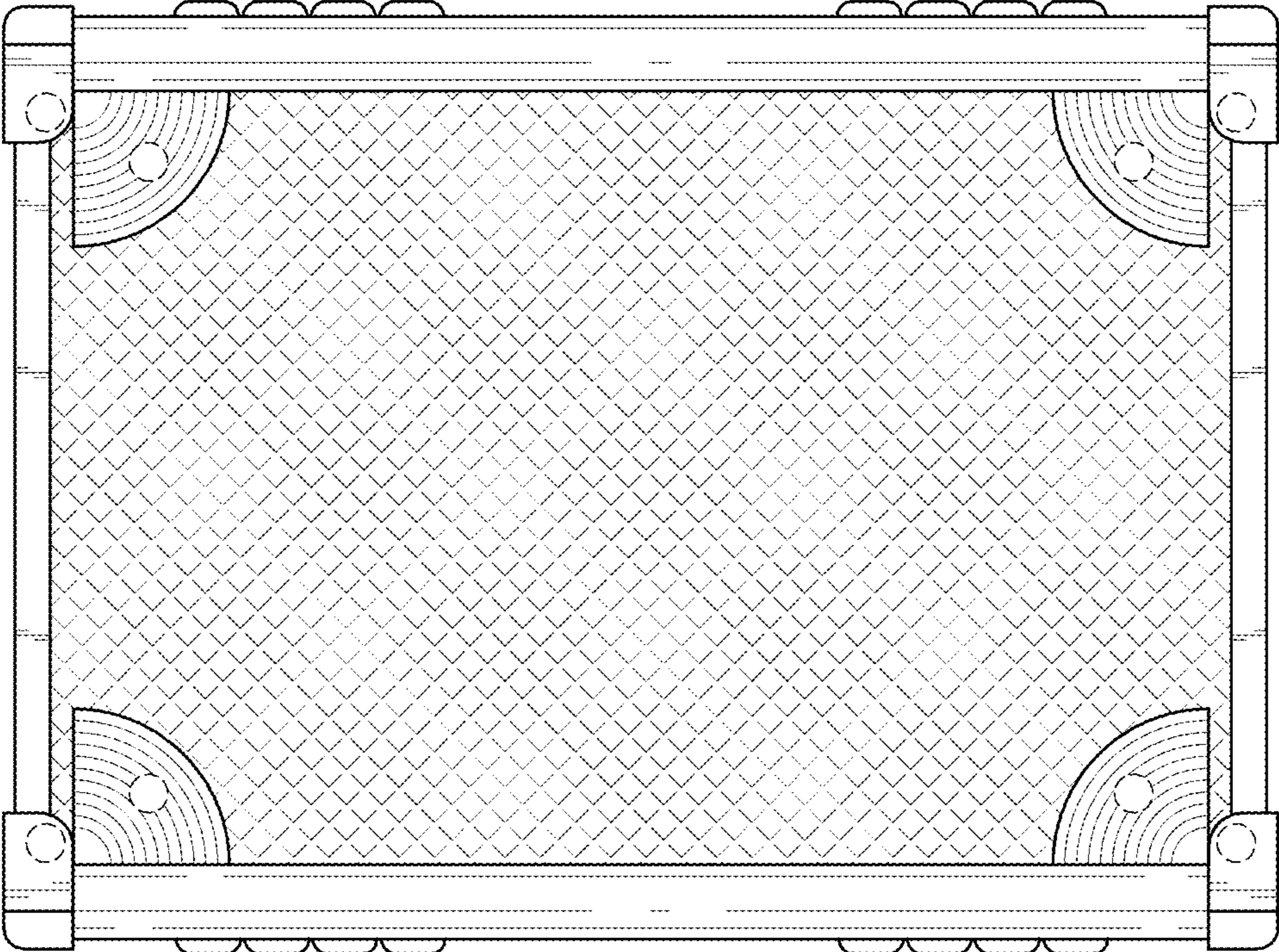


FIG. 7

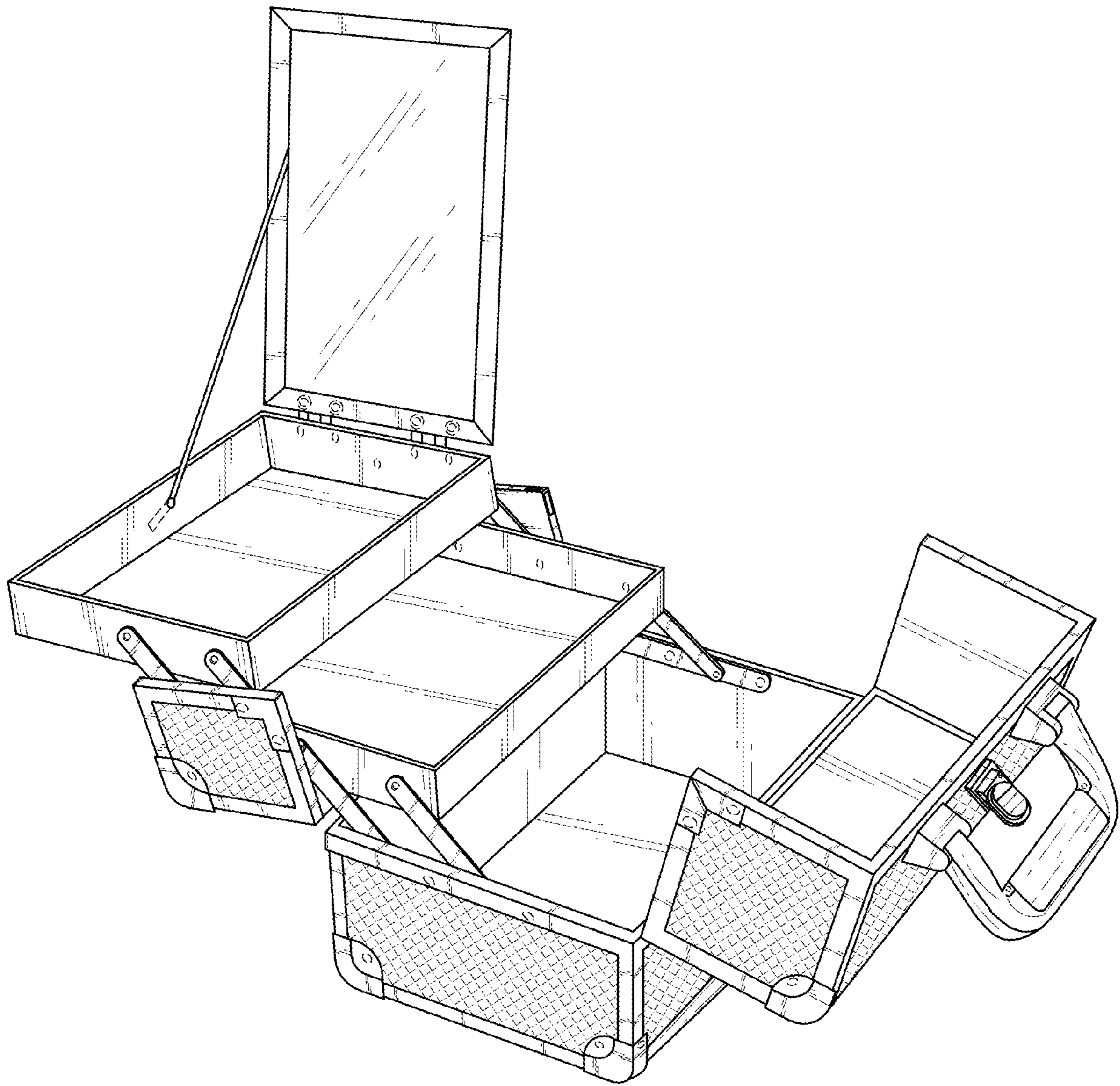


FIG. 8