



US00D888423S

(12) **United States Design Patent**
Chen

(10) **Patent No.:** **US D888,423 S**

(45) **Date of Patent:** **** Jun. 30, 2020**

(54) **BATTERY COMPARTMENT**

(71) Applicant: **Zhipiao Chen**, Yangjiang (CN)

(72) Inventor: **Zhipiao Chen**, Yangjiang (CN)

(**) Term: **15 Years**

(21) Appl. No.: **29/725,935**

(22) Filed: **Feb. 27, 2020**

(51) **LOC (12) Cl.** **03-01**

(52) **U.S. Cl.**
USPC **D3/274**

(58) **Field of Classification Search**
USPC D3/201, 207, 208, 215, 226, 228, 229,
D3/230, 269, 273, 274, 290, 299, 303,
D3/316, 318

CPC B65D 83/384; F41H 9/10
See application file for complete search history.

(56) **References Cited**

U.S. PATENT DOCUMENTS

D529,288 S *	10/2006	Ham	D3/294
D731,793 S *	6/2015	Houghton	D3/294
D738,110 S *	9/2015	Jiang	D3/294
D806,648 S *	1/2018	Beedham	D13/107
D832,208 S *	10/2018	Grois	D13/108
D841,580 S *	2/2019	Bao	D13/108

D841,581 S *	2/2019	Bonahoom	D13/108
D846,264 S *	4/2019	Wu	D3/201
D851,035 S	6/2019	Hong		
D853,116 S *	7/2019	Bergman	D3/294
D875,042 S *	2/2020	Ye	D13/108
D881,572 S *	4/2020	Wang	D3/294
D881,810 S *	4/2020	Zhang	D13/108
D882,262 S *	4/2020	Zhang	D3/294

* cited by examiner

Primary Examiner — Holly E Thurman

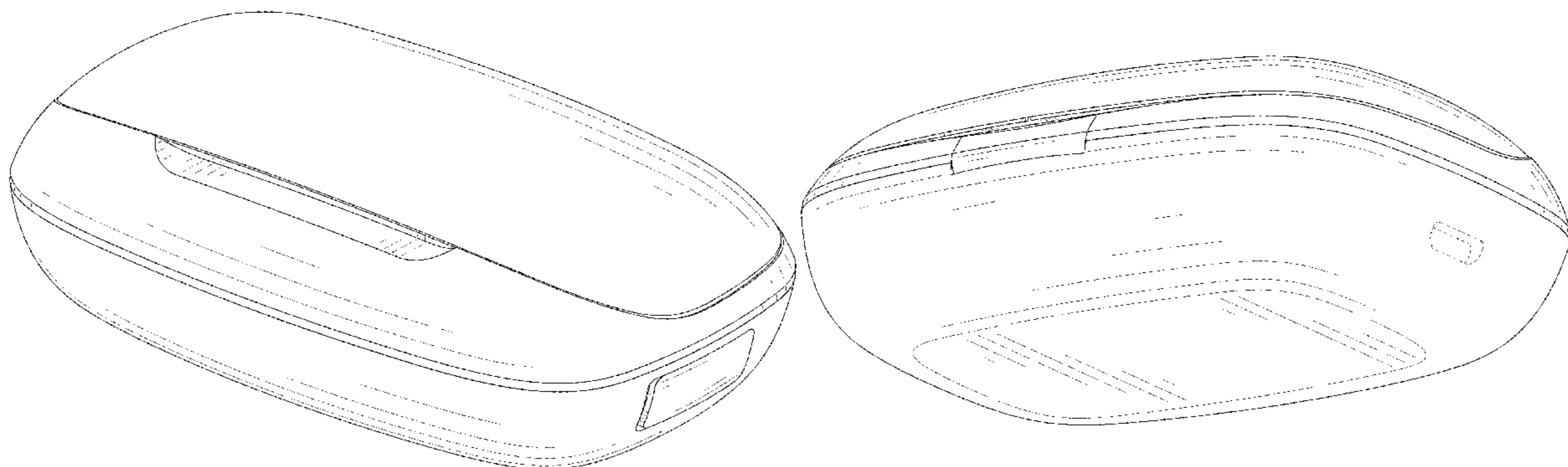
(57) **CLAIM**

The ornamental design for a battery compartment, as shown and described.

DESCRIPTION

FIG. 1 is a perspective view of a battery compartment showing my new design;
 FIG. 2 is another perspective view thereof;
 FIG. 3 is a front elevational view thereof;
 FIG. 4 is a rear elevational view thereof;
 FIG. 5 is a left side elevational view thereof;
 FIG. 6 is a right side elevational view thereof;
 FIG. 7 is a top plan view thereof; and,
 FIG. 8 is a bottom plan view thereof.
 The broken lines illustrate portions of the battery compartment that form no part of the claimed design.

1 Claim, 8 Drawing Sheets



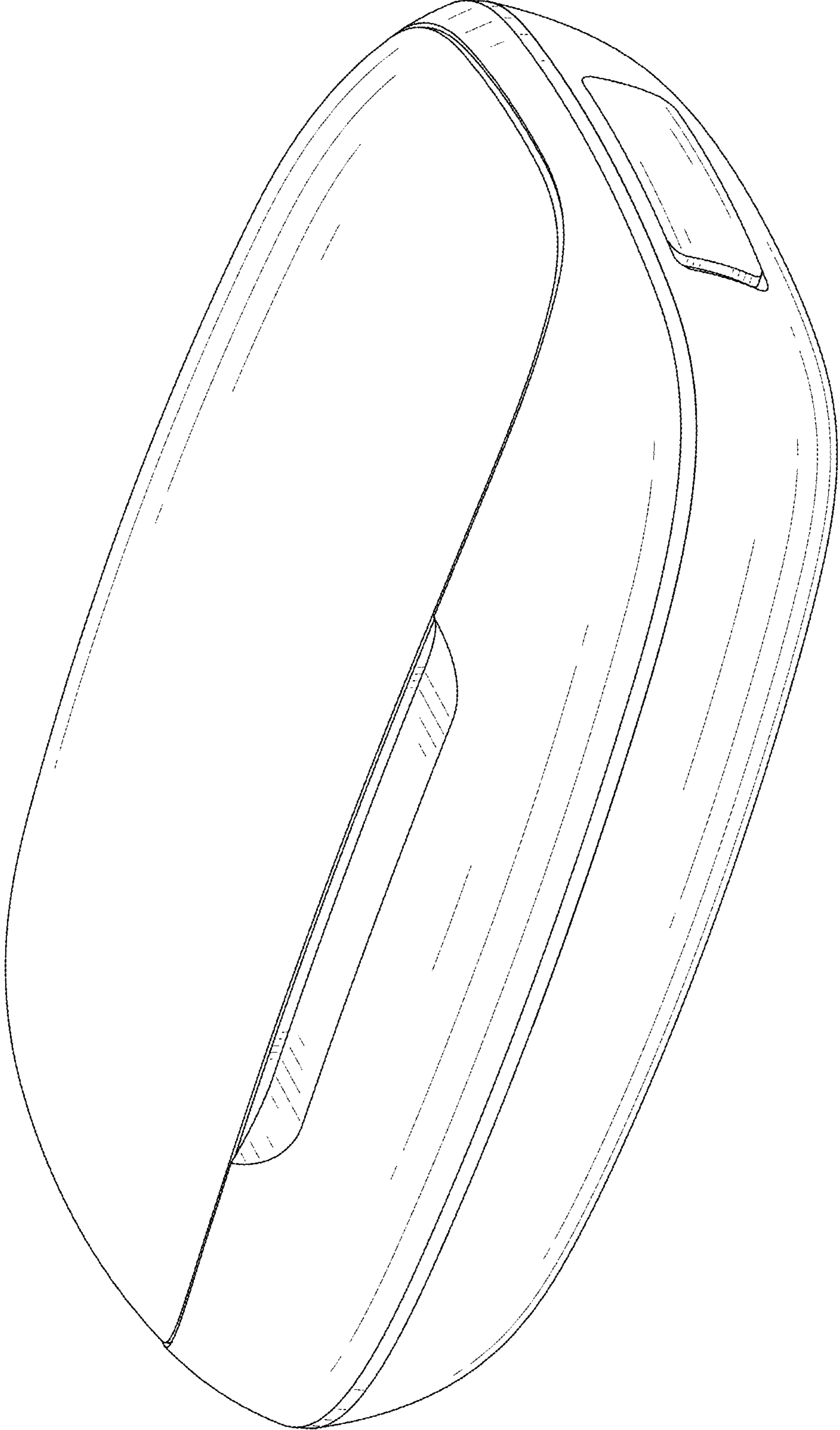


FIG. 1



FIG. 2

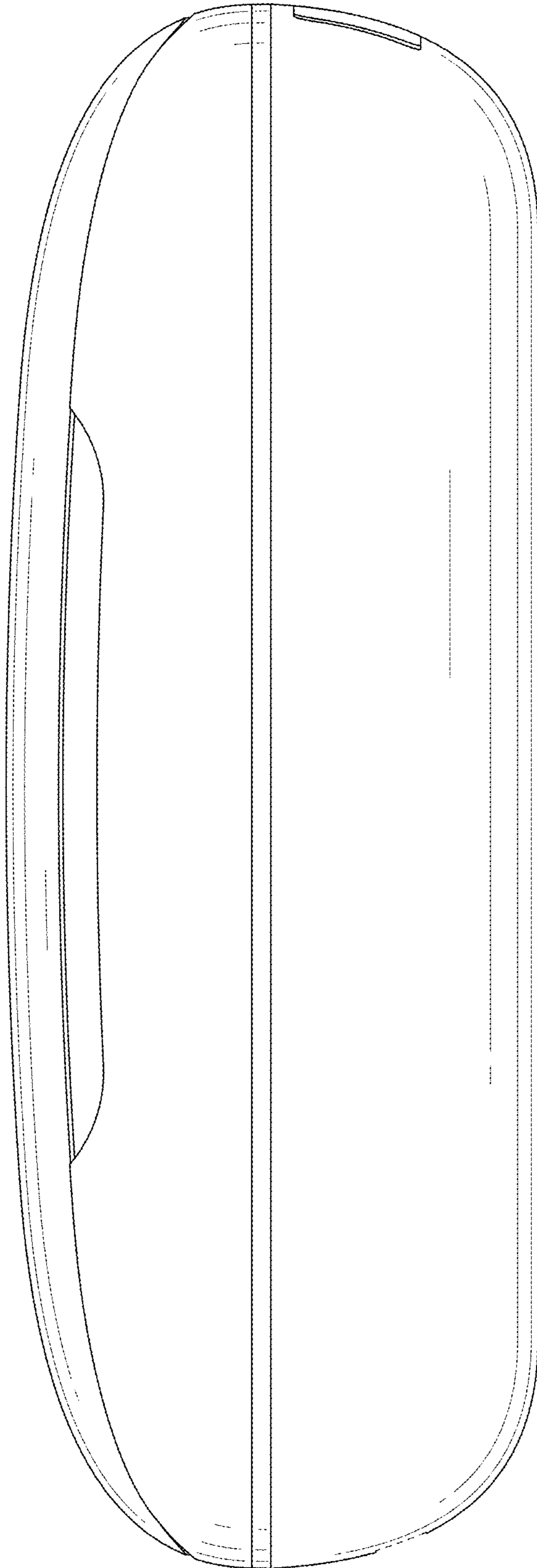


FIG. 3

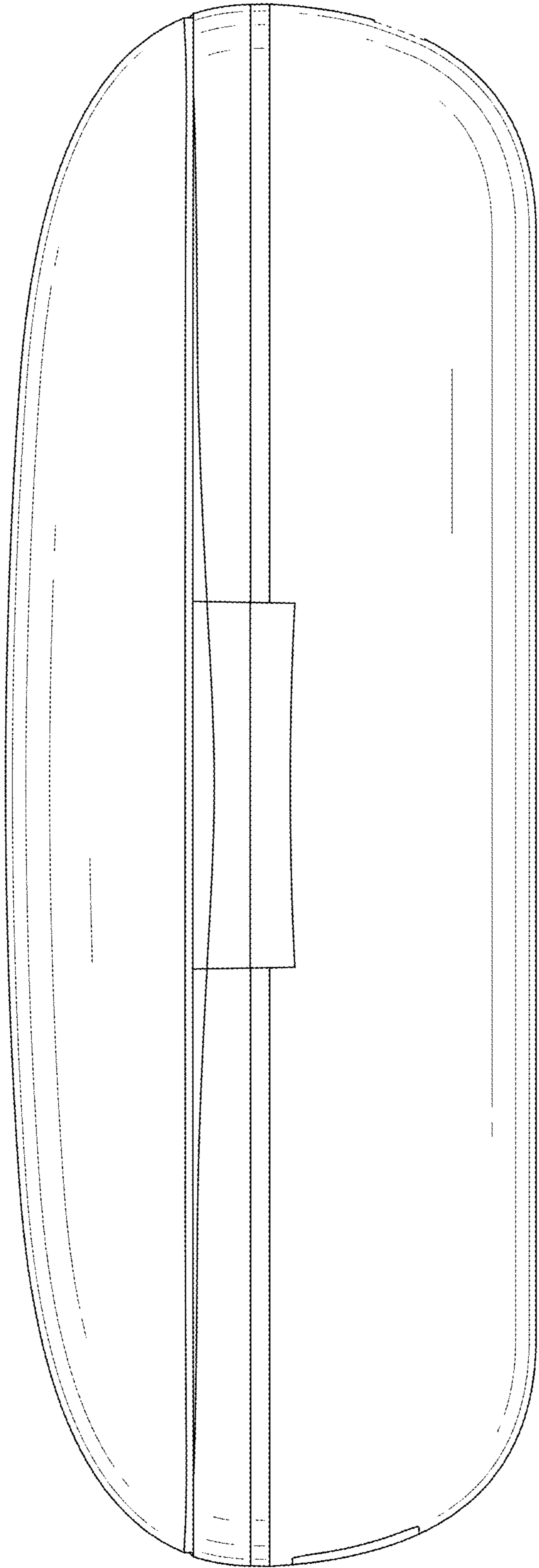


FIG. 4

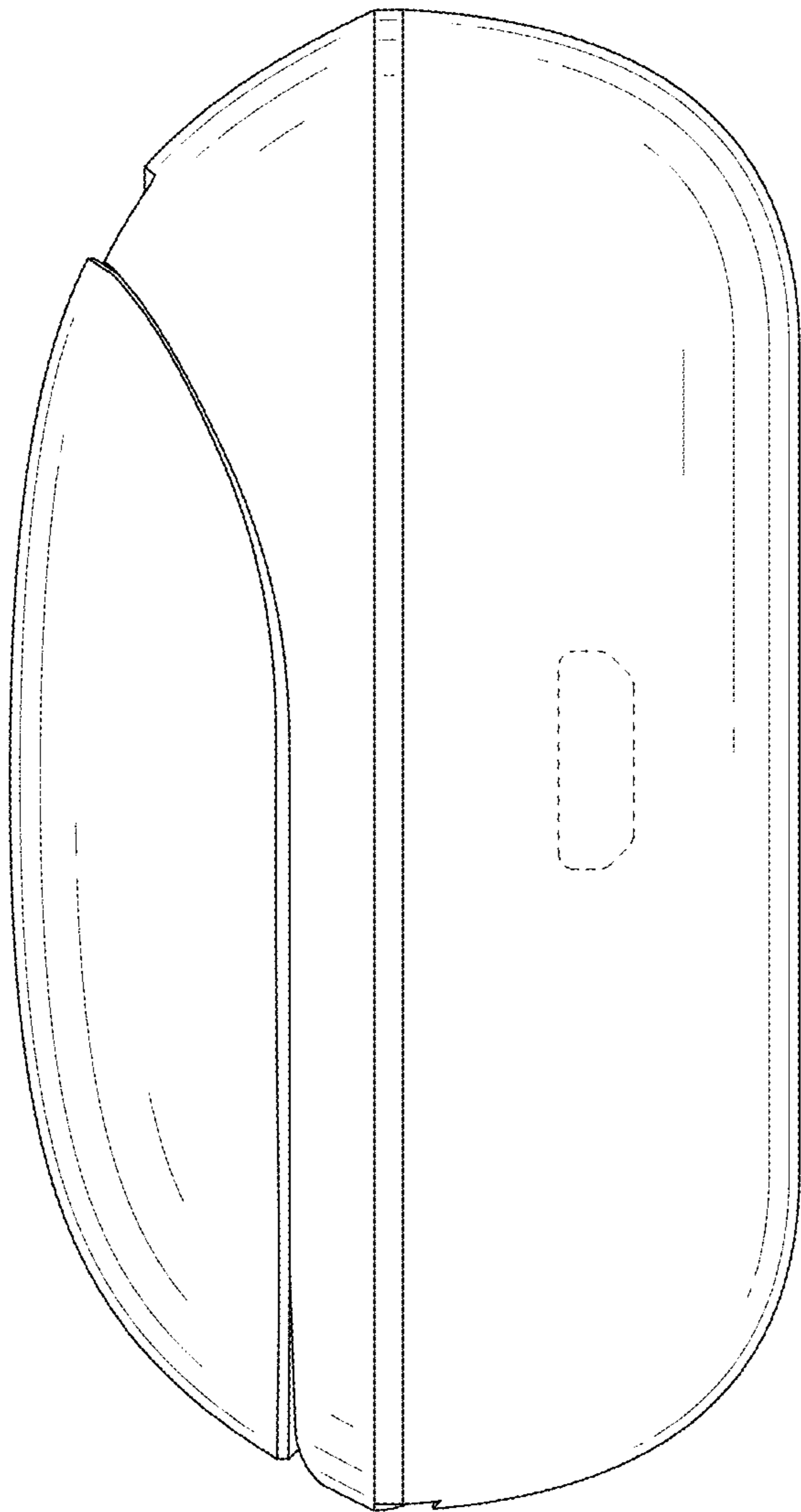


FIG. 5

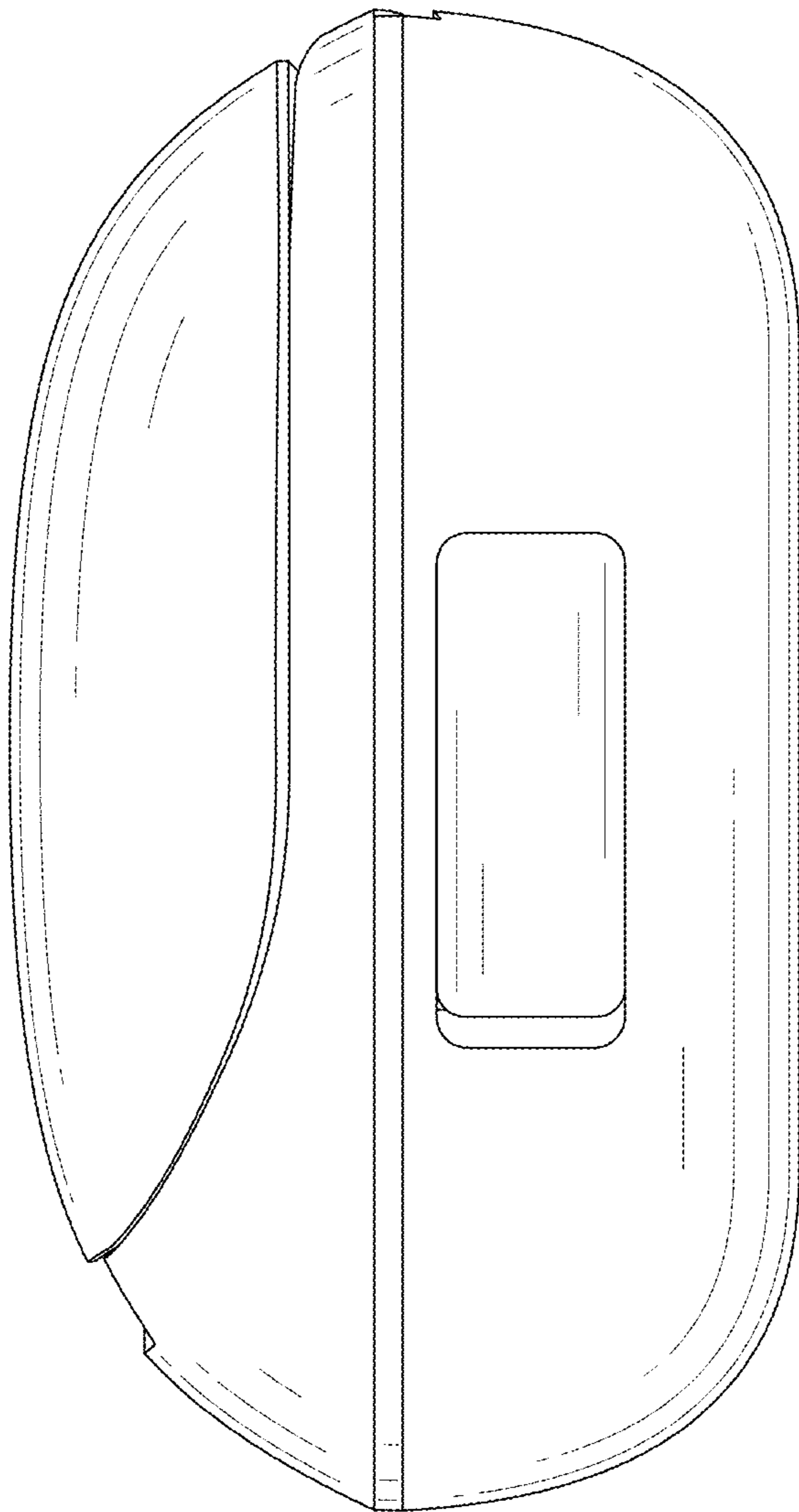


FIG. 6

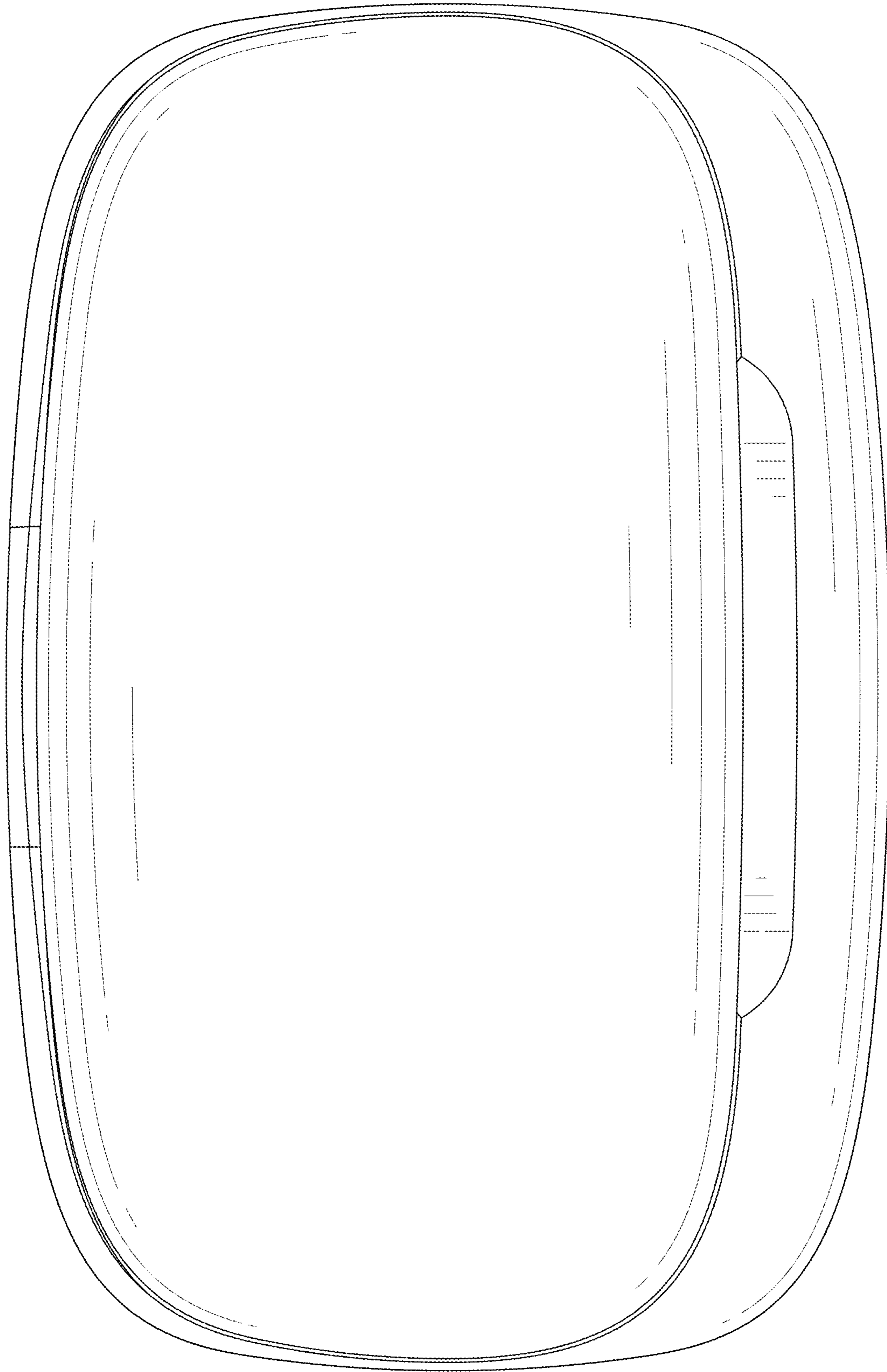


FIG. 7

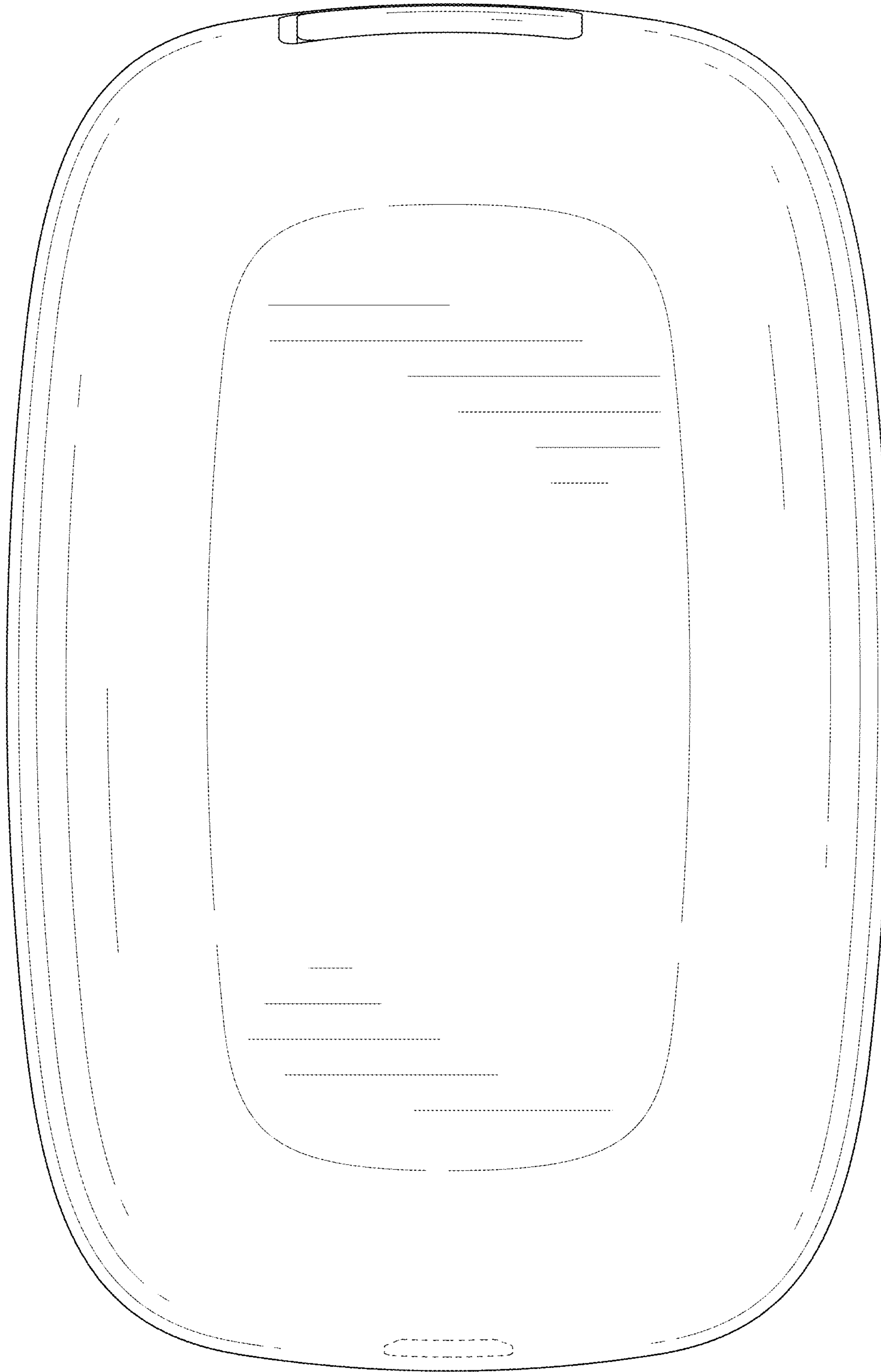


FIG. 8