



US00D888422S

(12) **United States Design Patent**
Yang

(10) **Patent No.:** **US D888,422 S**

(45) **Date of Patent:** **** Jun. 30, 2020**

- (54) **FISHING BOX**
- (71) Applicant: **Quanzhou HG Electronics Development Co., Ltd., Fujian (CN)**
- (72) Inventor: **Kongjun Yang, Fujian (CN)**
- (**) Term: **15 Years**
- (21) Appl. No.: **29/675,622**
- (22) Filed: **Jan. 4, 2019**
- (51) **LOC (12) Cl.** **03-01**
- (52) **U.S. Cl.**
USPC **D3/260; D3/905**
- (58) **Field of Classification Search**
USPC D3/201, 221, 254, 260, 262, 272, 273,
D3/276, 281, 282, 294, 905; D7/601,
D7/605
CPC A01K 97/06; B65D 85/00; B65D 43/16
See application file for complete search history.

- 5,238,142 A * 8/1993 Hanna B25H 3/02
220/755
- 5,297,674 A * 3/1994 Birutis B42F 7/10
206/214
- D361,888 S * 9/1995 Kahl D3/260
- 6,065,595 A * 5/2000 Ratcliff A01K 97/06
206/315.11
- D460,859 S * 7/2002 Tipton D3/260

* cited by examiner

Primary Examiner — Mitchell I. Siegel

(74) *Attorney, Agent, or Firm* — Prakash Nama; Global IP Services, PLLC

(57) **CLAIM**

The ornamental design for a fishing box, as shown.

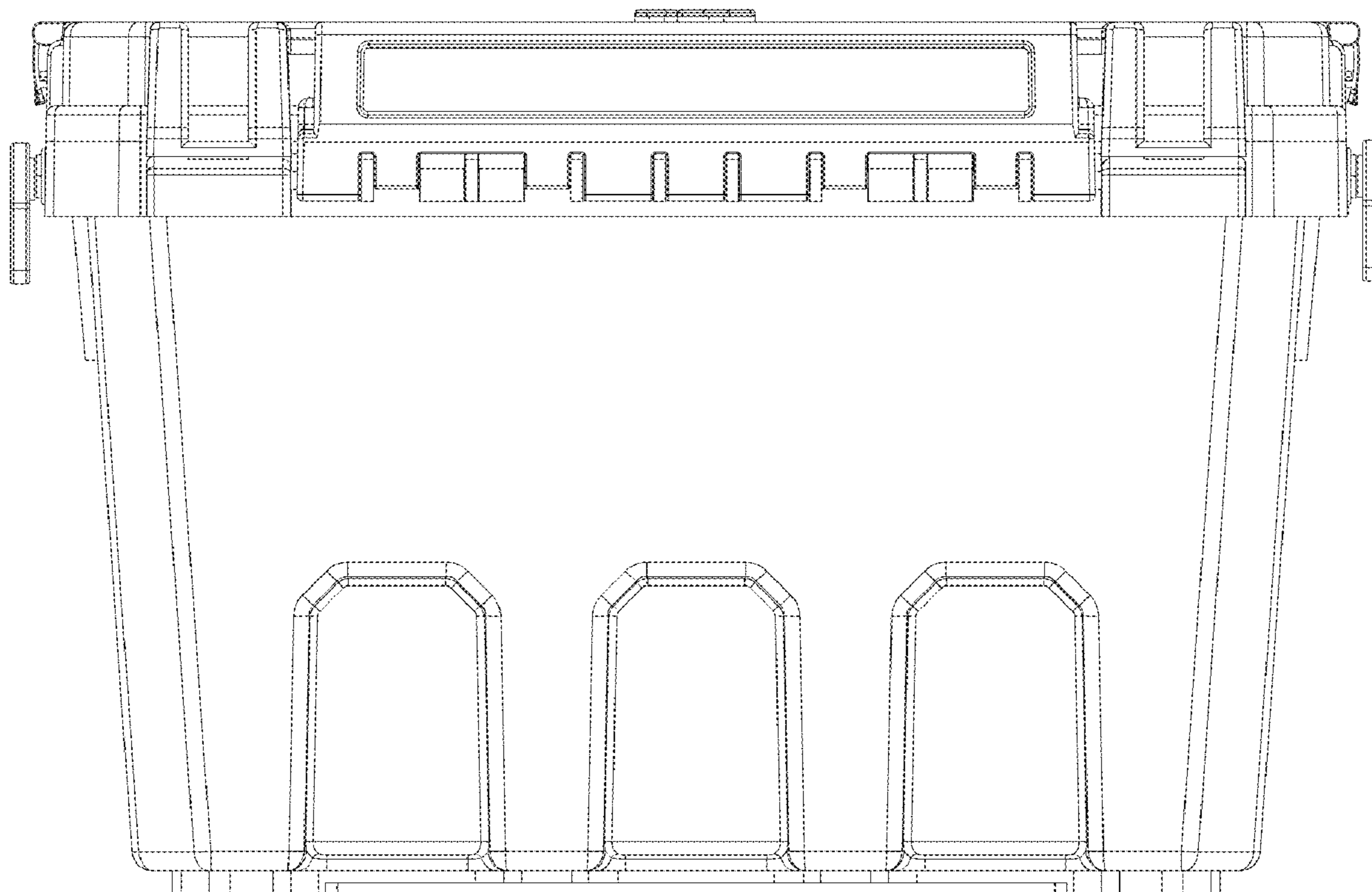
DESCRIPTION

FIG. 1 is a front elevational view of a fishing box showing my new design;
 FIG. 2 is a rear elevational view thereof;
 FIG. 3 is a left side view thereof;
 FIG. 4 is a right side view thereof;
 FIG. 5 is a top plan view thereof;
 FIG. 6 is a bottom plan view thereof;
 FIG. 7 is a perspective view thereof; and,
 FIG. 8 is another perspective view thereof.

1 Claim, 8 Drawing Sheets

(56) **References Cited**
 U.S. PATENT DOCUMENTS

- D246,548 S * 11/1977 Uyeda D3/281
- D298,584 S * 11/1988 Newby, Sr. D3/281



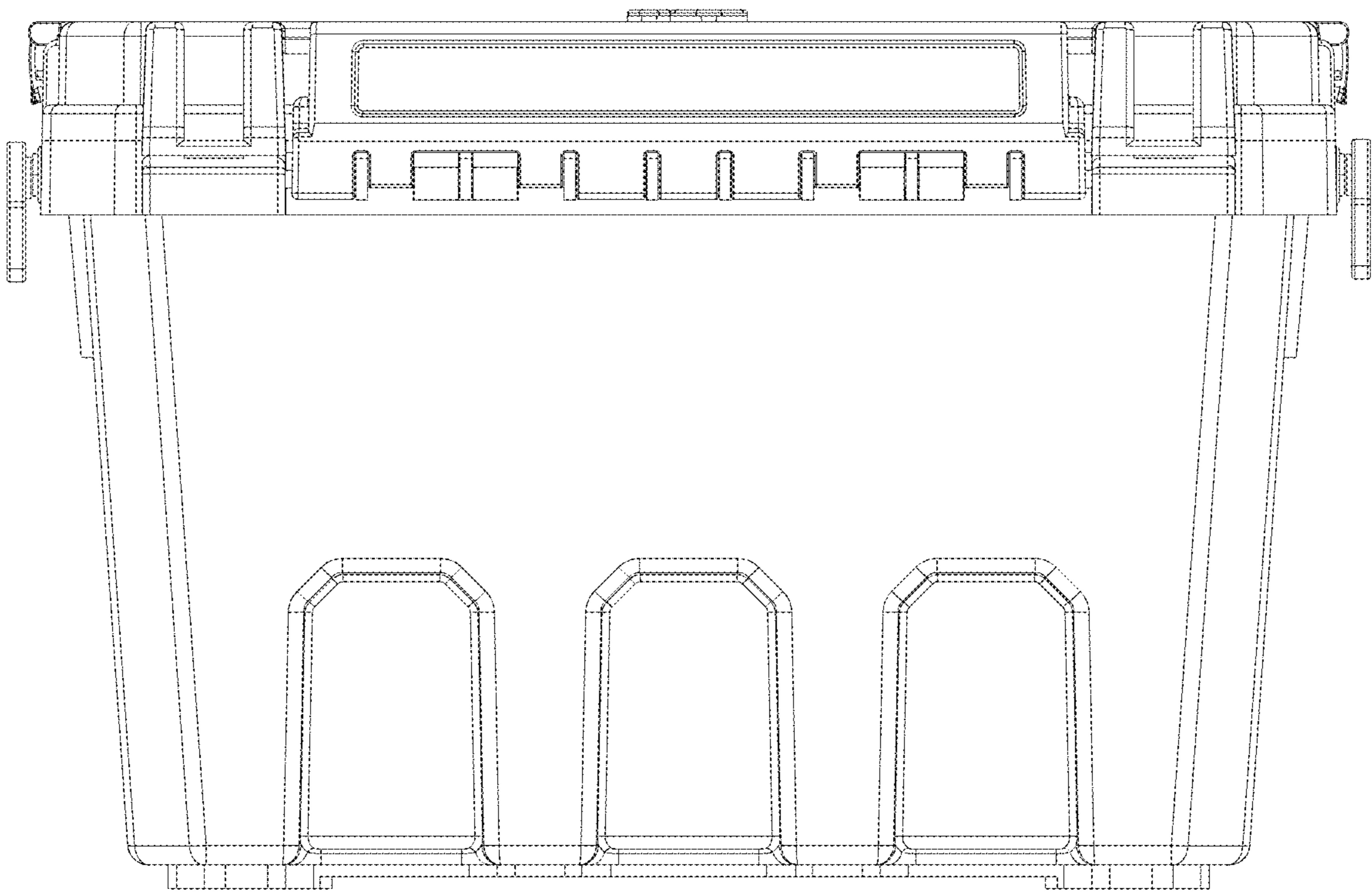


Fig. 1

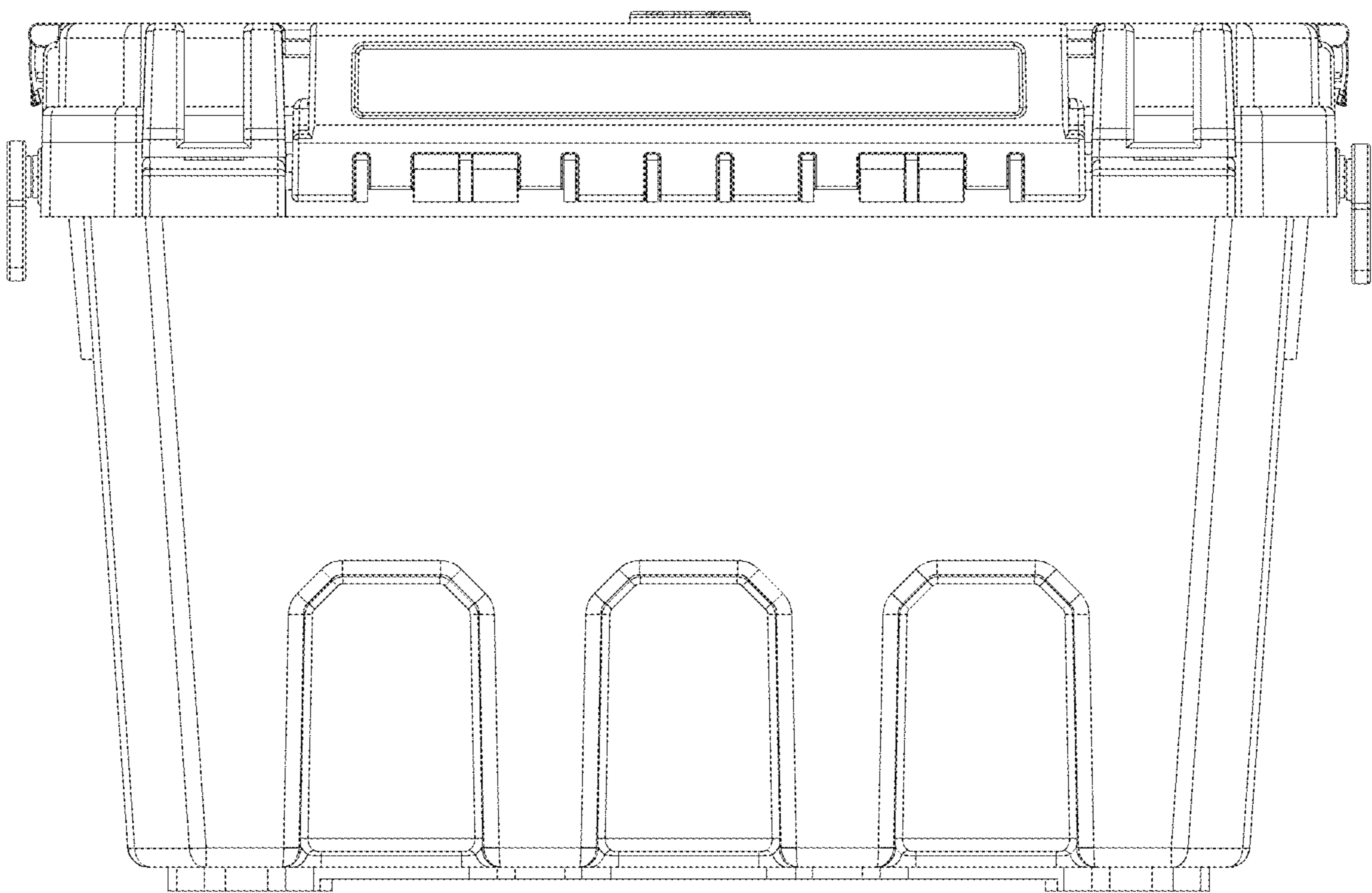


Fig. 2

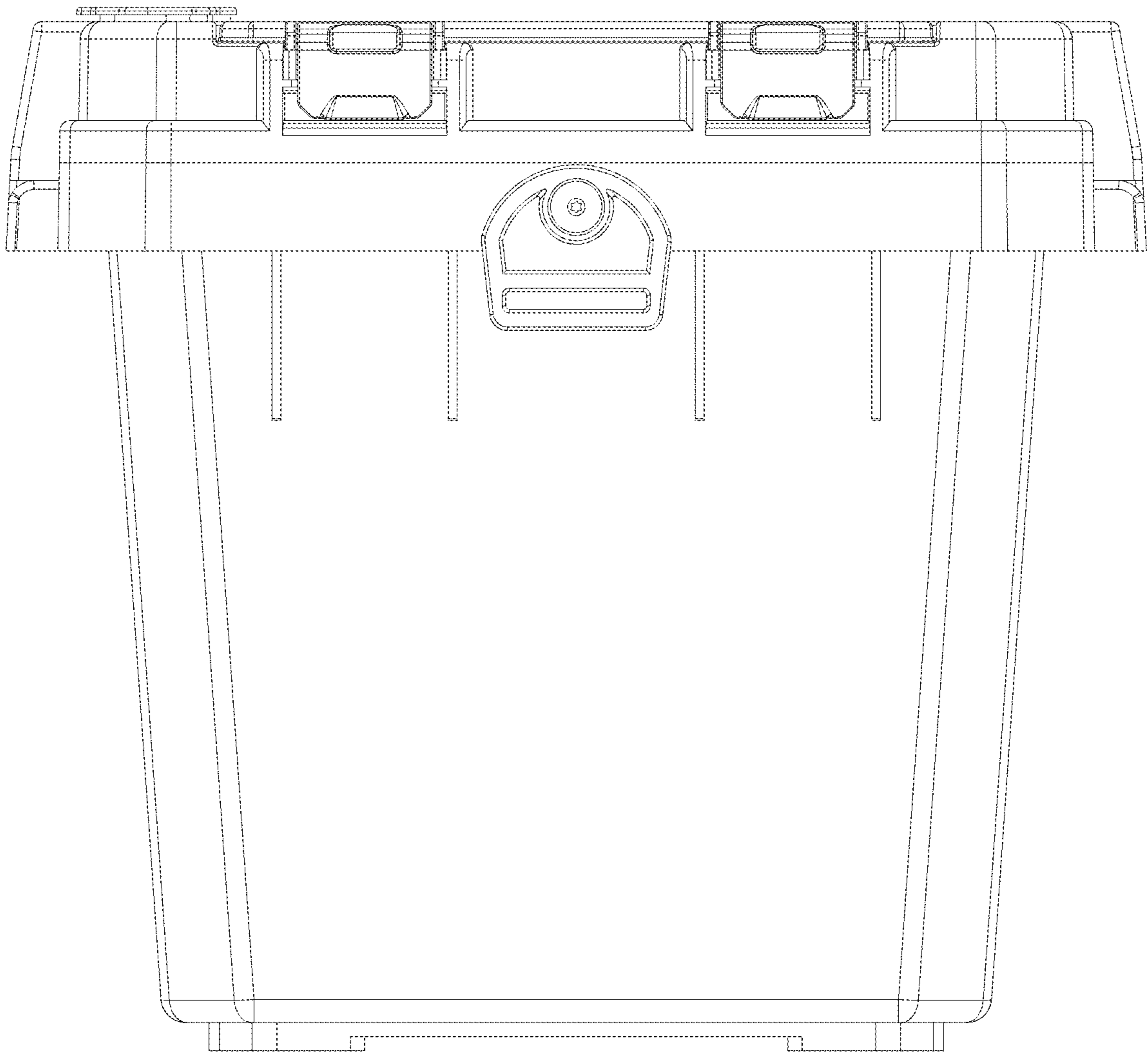


Fig. 3

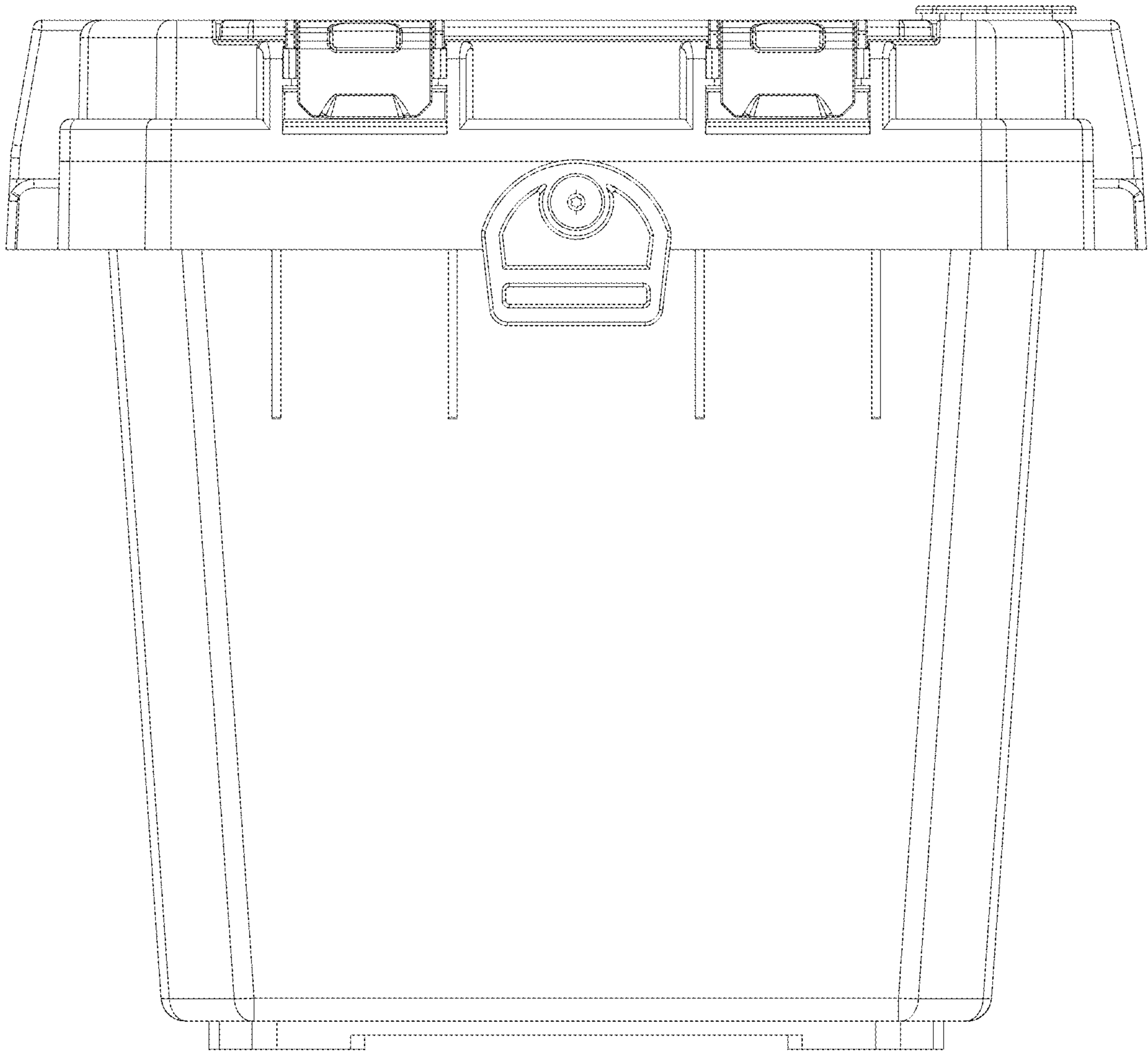


Fig. 4

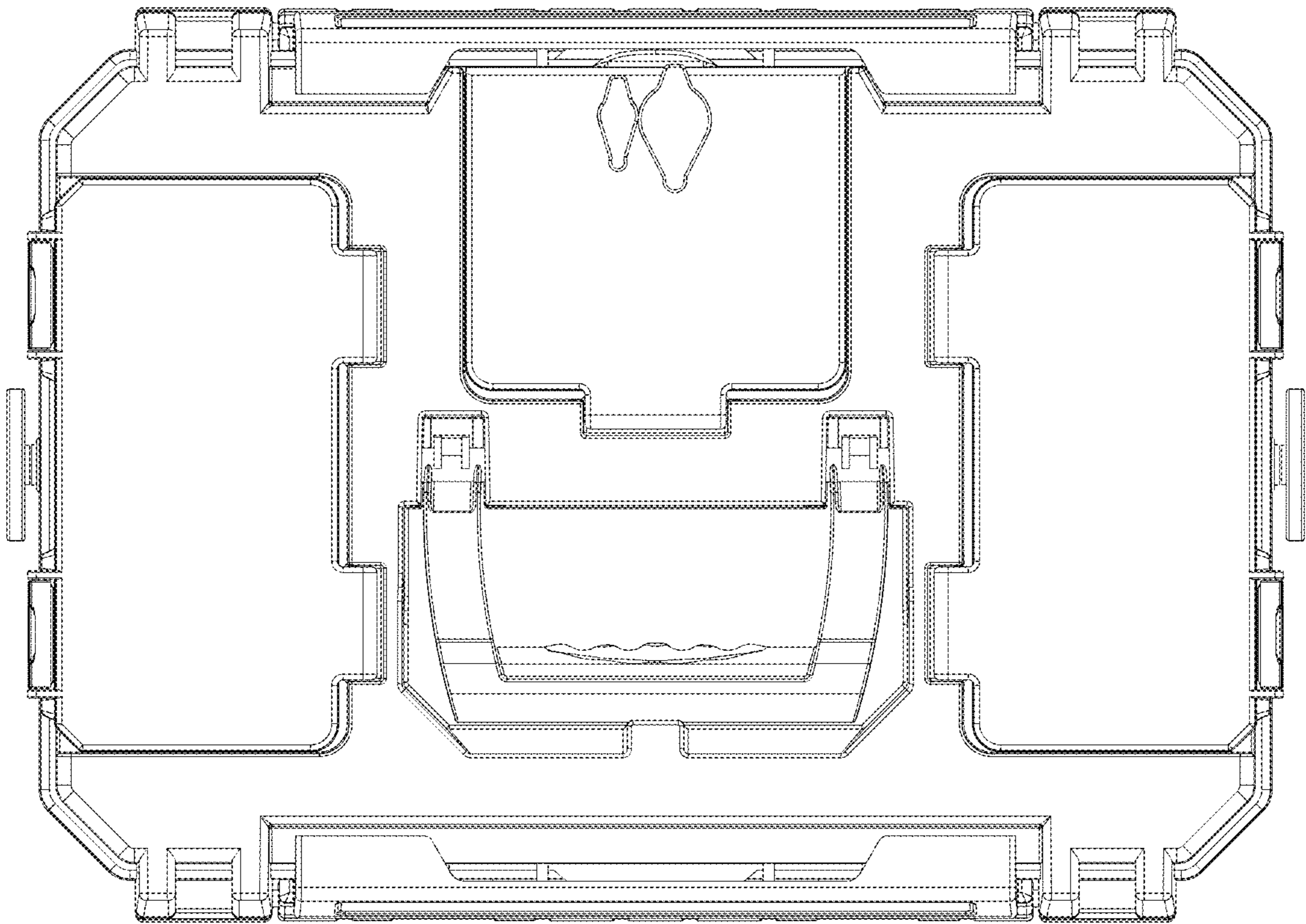


Fig. 5

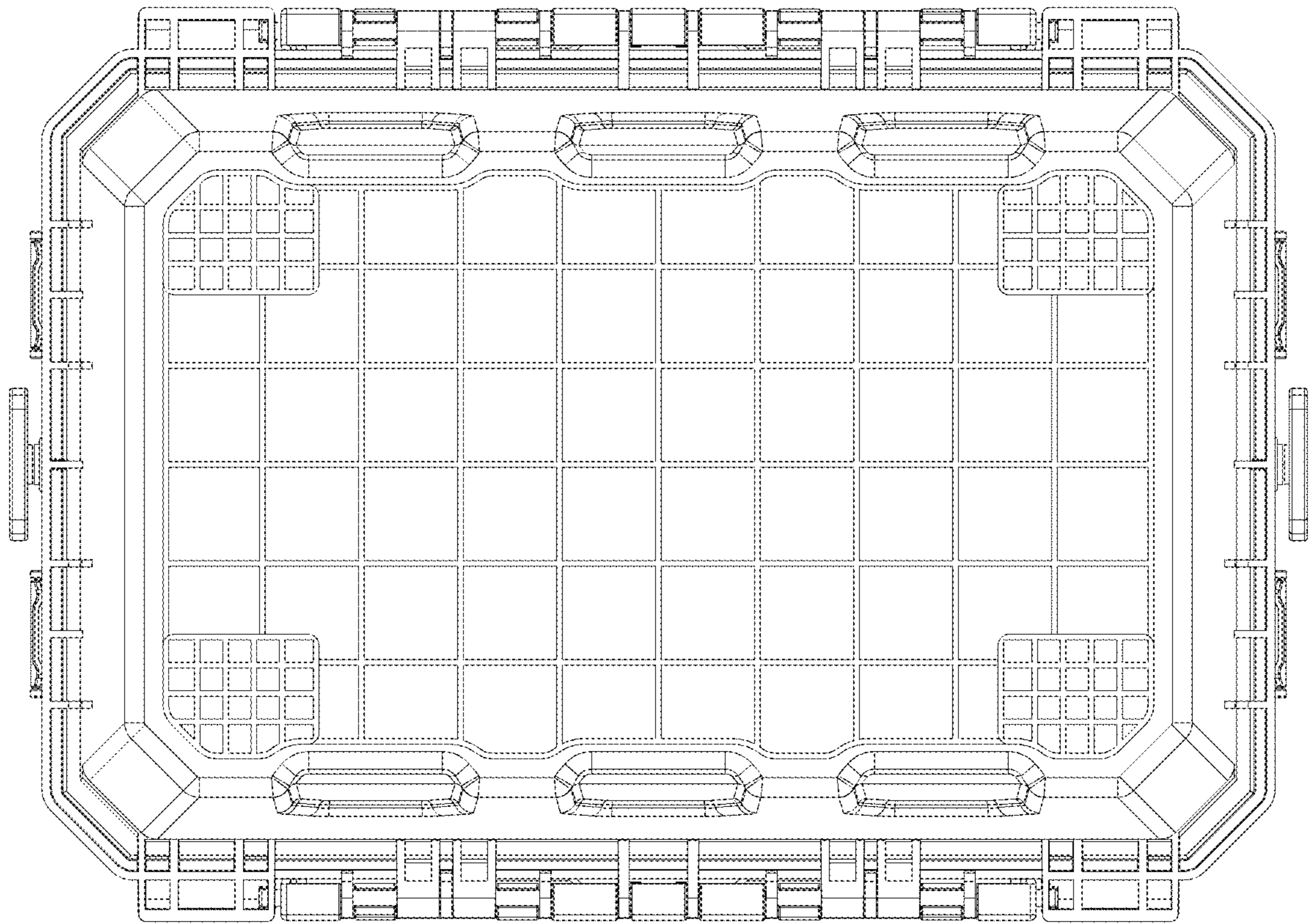


Fig. 6

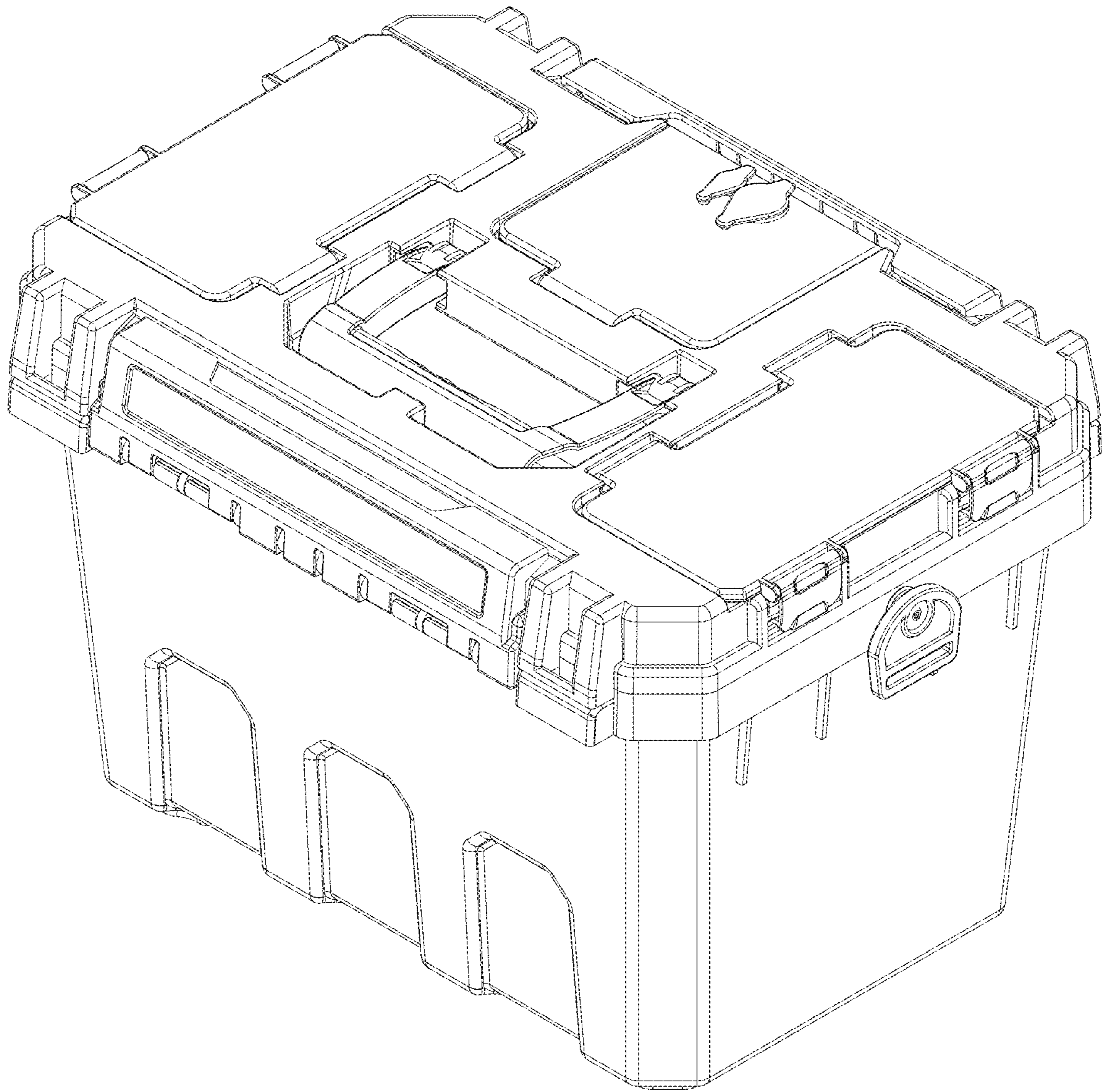


Fig. 7

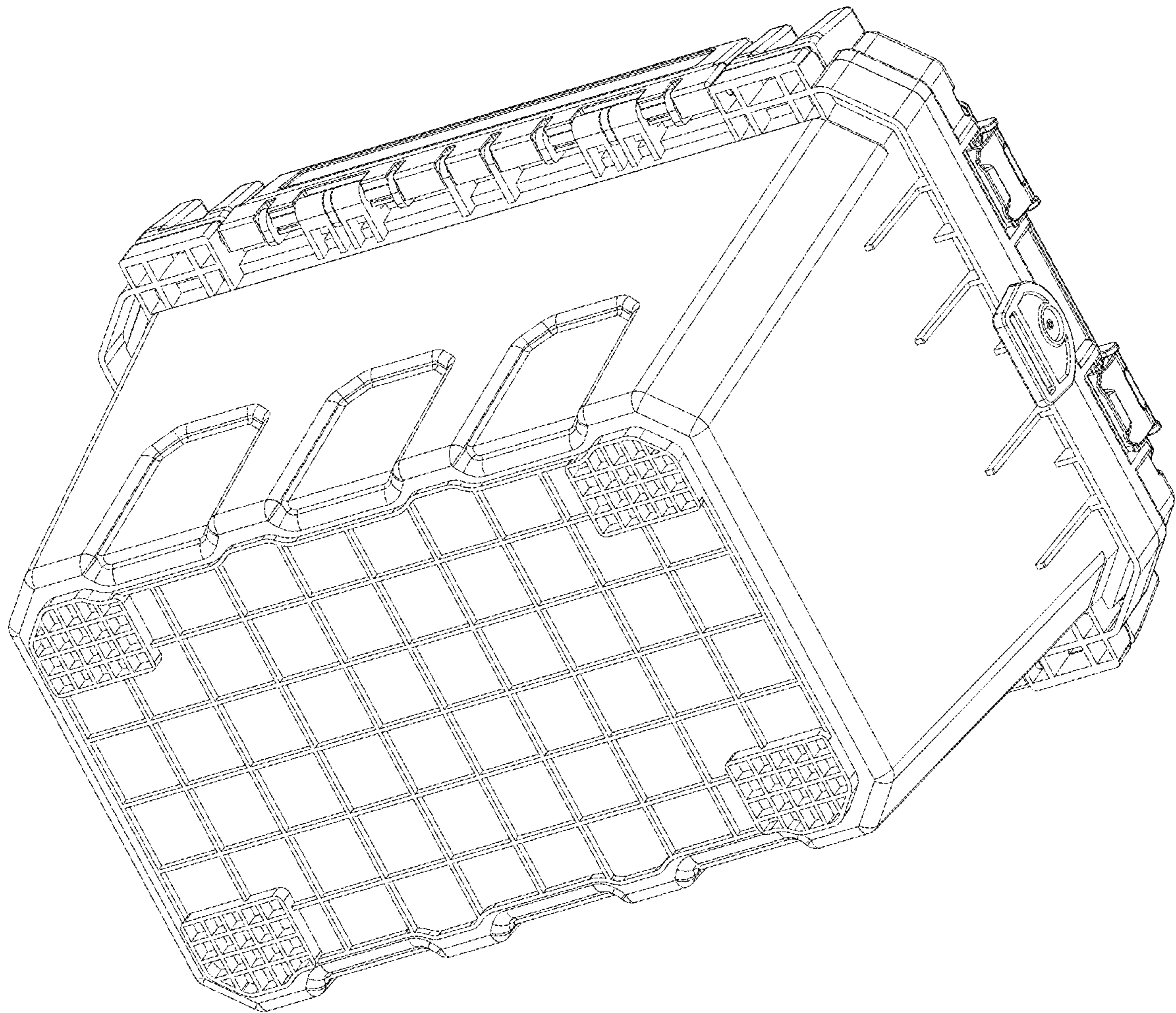


Fig. 8