



US00D888418S

(12) **United States Design Patent**
Gerbi

(10) **Patent No.:** **US D888,418 S**

(45) **Date of Patent:** **** Jun. 30, 2020**

(54) **HANDBAG**

D804,170 S * 12/2017 Maier D3/243
D813,532 S * 3/2018 Yuson D3/243
D840,680 S * 2/2019 Nair D3/243

(71) Applicant: **DS Fashion Group**, Paris (FR)

* cited by examiner

(72) Inventor: **Danielle Gerbi**, Paris (FR)

Primary Examiner — Holly H Baynham

(73) Assignee: **DS FASHION GROUP**, Paris (FR)

(74) *Attorney, Agent, or Firm* — Abelman, Frayne & Schwab

(**) Term: **15 Years**

(21) Appl. No.: **29/691,612**

(57) **CLAIM**

(22) Filed: **May 17, 2019**

The ornamental design for a handbag, as shown and described.

(51) **LOC (12) Cl.** **03-01**

(52) **U.S. Cl.**

USPC **D3/243**

(58) **Field of Classification Search**

USPC D3/232–233, 240–243, 245–246

CPC A45C 1/024; A45C 3/06

See application file for complete search history.

DESCRIPTION

FIG. 1 is a top, left side, and front perspective view of a handbag showing the new design;

FIG. 2 is a front elevational view thereof;

FIG. 3 is a rear elevational view thereof;

FIG. 4 is a right side elevational view thereof;

FIG. 5 is a left side elevational view thereof; and,

FIG. 6 is a top plan thereof.

The broken lines representing stitching are part of the claimed design.

(56) **References Cited**

U.S. PATENT DOCUMENTS

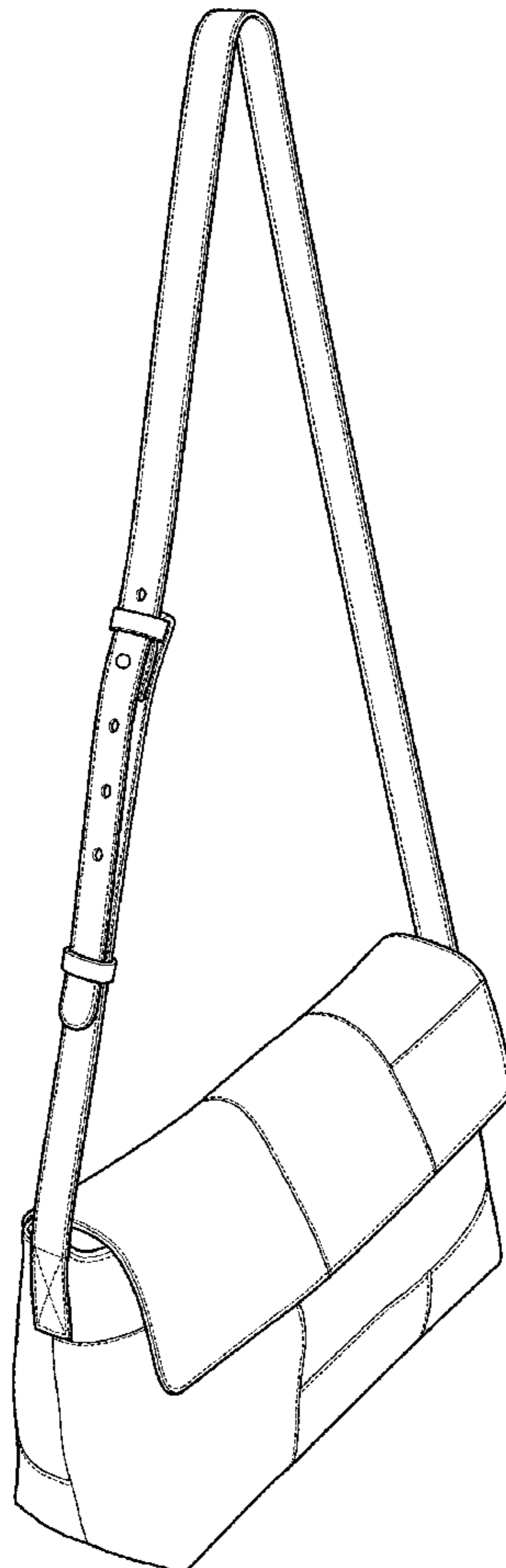
D745,268 S * 12/2015 Slimane D3/232

D761,557 S * 7/2016 Bernardoni D3/243

D767,270 S * 9/2016 Maier D3/243

D794,950 S * 8/2017 Gavriel D3/243

1 Claim, 6 Drawing Sheets



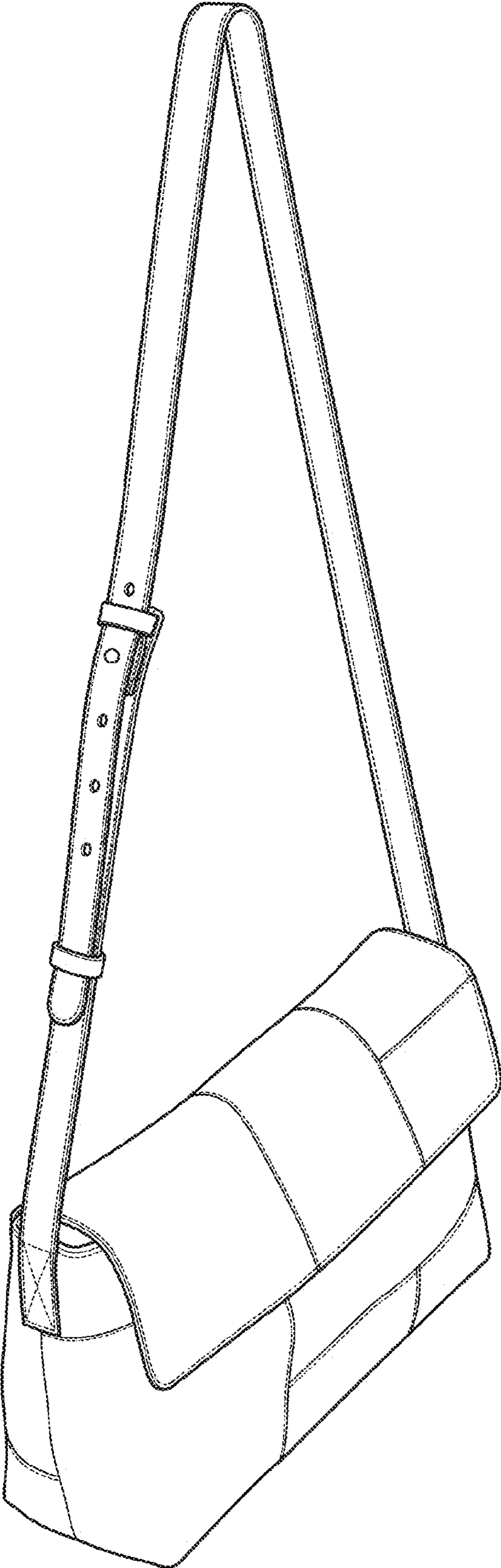


Figure 1

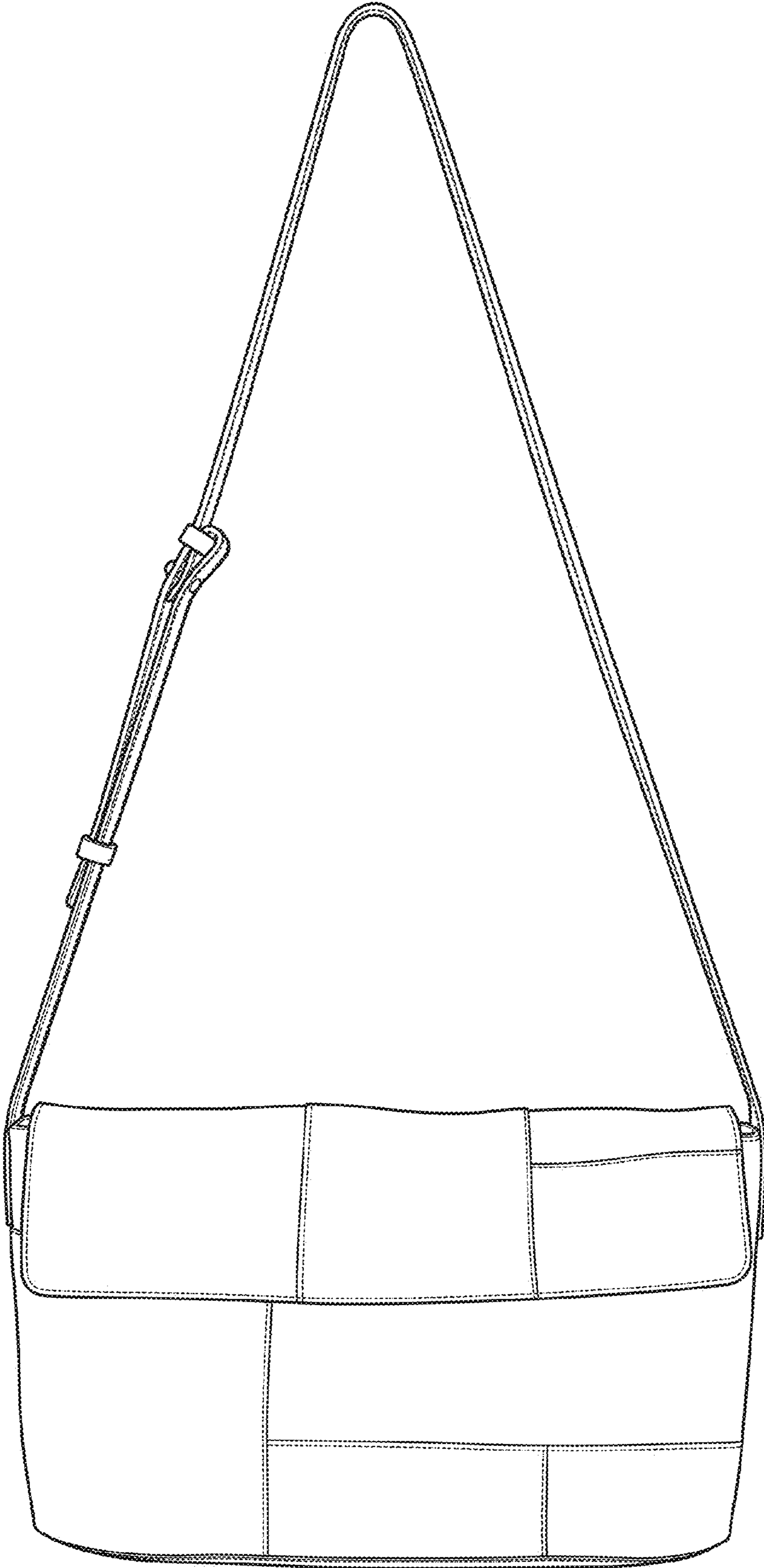


Figure 2

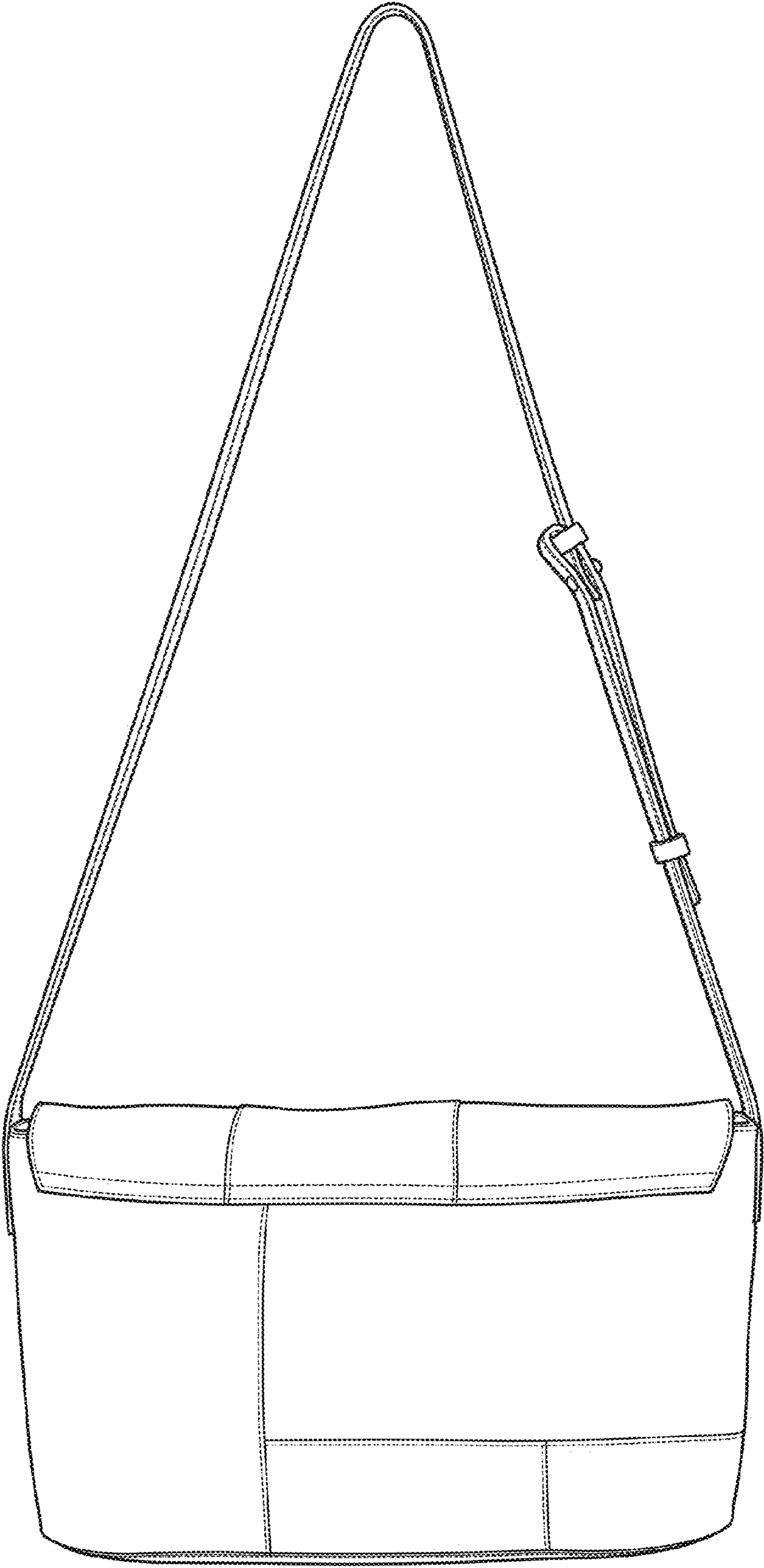


Figure 3

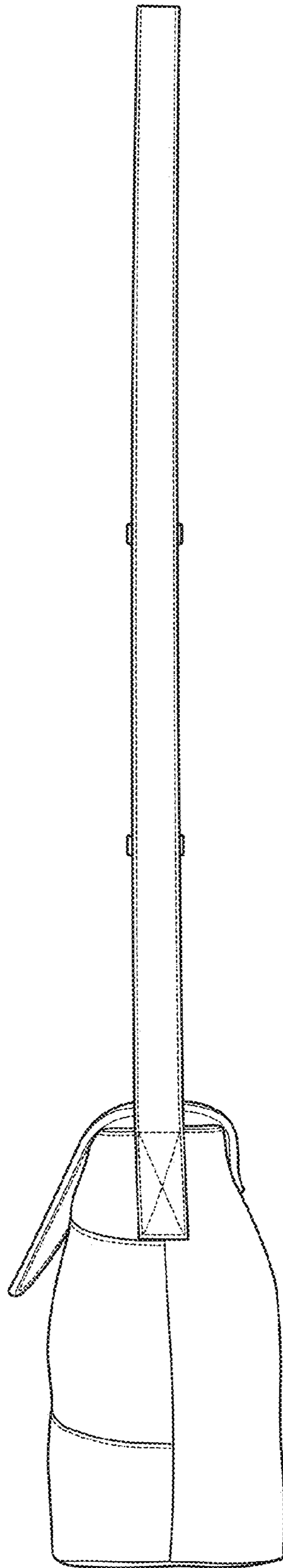


Figure 4

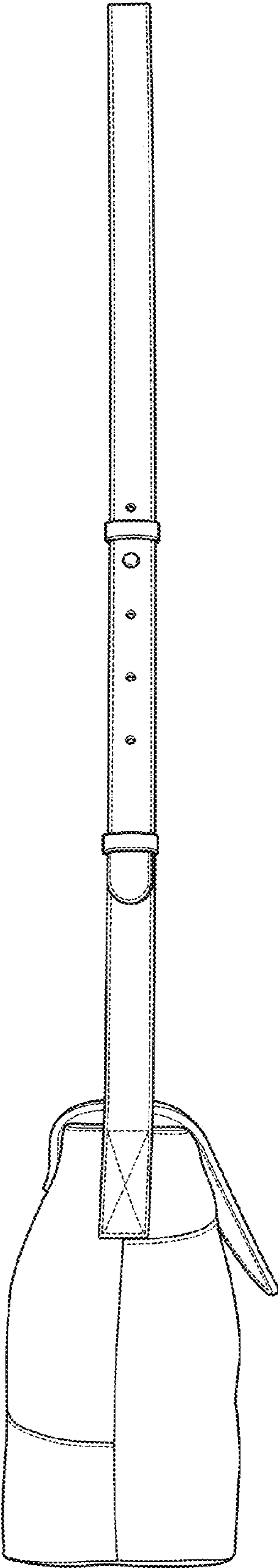


Figure 5

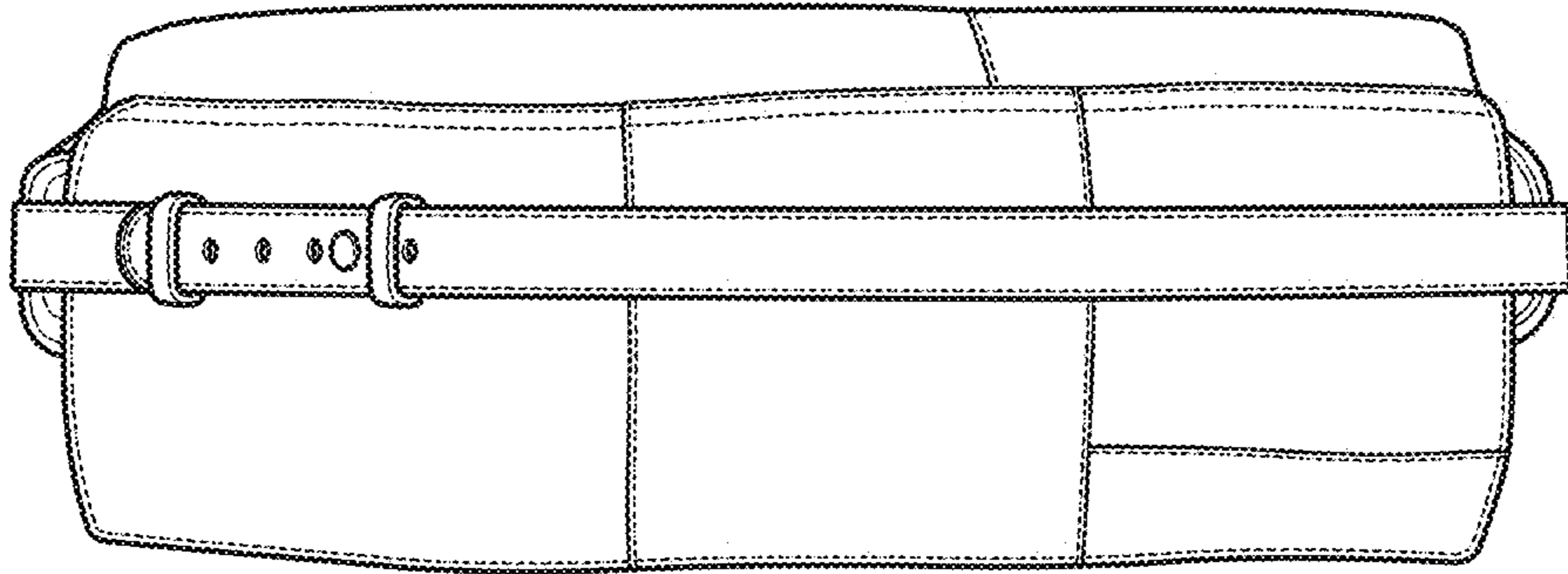


Figure 6