



US00D888415S

(12) **United States Design Patent** (10) **Patent No.:** **US D888,415 S**
Galanti (45) **Date of Patent:** **** Jun. 30, 2020**

(54) **HANDBAG**
(71) Applicant: **J. Choo Limited**, London (GB)
(72) Inventor: **Carolina Galanti**, London (GB)
(73) Assignee: **J. Choo Limited**, London (GB)
(**) Term: **15 Years**
(21) Appl. No.: **29/619,196**
(22) Filed: **Sep. 27, 2017**

D620,707 S * 8/2010 Mogil D3/246
D672,951 S * 12/2012 Boone D3/245
D695,568 S * 12/2013 Hayes D3/233
D761,561 S * 7/2016 Cheng D3/246
D787,818 S 5/2017 Gerbelle
D790,852 S 7/2017 Gerbelle
D801,682 S * 11/2017 Guichot D3/246
D824,665 S * 8/2018 Spaziani D3/232
D845,620 S * 4/2019 Gerbelle D3/232
D871,061 S * 12/2019 Bertrand D3/243
D872,461 S * 1/2020 Ryoo D3/243
D874,132 S * 2/2020 Hubbell D3/245
2015/0201722 A1 * 7/2015 Brouard A45C 3/001
150/107

(30) **Foreign Application Priority Data**
Apr. 3, 2017 (EM) 003838283-0006
(51) **LOC (12) Cl.** **03-01**
(52) **U.S. Cl.**
USPC **D3/232; D3/246**
(58) **Field of Classification Search**
USPC D3/232-253, 273-277, 292, 303, 304,
D3/285, 287, 318
CPC .. A45C 1/024; A45C 3/04; A45C 3/06; A45C
3/08; A45C 3/10; A45C 7/0059; A45C
7/0077; A45C 13/08; A45C 13/26; A45C
2001/083
See application file for complete search history.

* cited by examiner

Primary Examiner — Cathron C Brooks
Assistant Examiner — Andrew T Nemeth
(74) *Attorney, Agent, or Firm* — Fross Zelnick Lehrman
& Zissu, P.C.; Lawrence E. Apolzon, Esq.

(56) **References Cited**
U.S. PATENT DOCUMENTS
2,164,641 A * 7/1939 Davenport A45C 7/0077
383/127
4,211,091 A * 7/1980 Campbell A45C 11/20
383/110
D463,118 S * 9/2002 Tucker D3/246
D534,349 S 1/2007 Cardoso
D581,660 S * 12/2008 Gonzalez D3/232
D587,010 S * 2/2009 Deck D3/246

(57) **CLAIM**
The ornamental design for a handbag, as shown and described.

DESCRIPTION
FIG. 1 is a front perspective view of a handbag showing my new design;
FIG. 2 is a right side view thereof;
FIG. 3 is a left side view thereof;
FIG. 4 is a front view thereof;
FIG. 5 is a back view thereof;
FIG. 6 is a top view thereof; and,
FIG. 7 is a bottom view thereof.
The broken line showing of portions of the body of the bag, zipper, zipper pull, zipper track, rivets, and handles illustrate portions of the article that form no part of the claimed design.

1 Claim, 7 Drawing Sheets

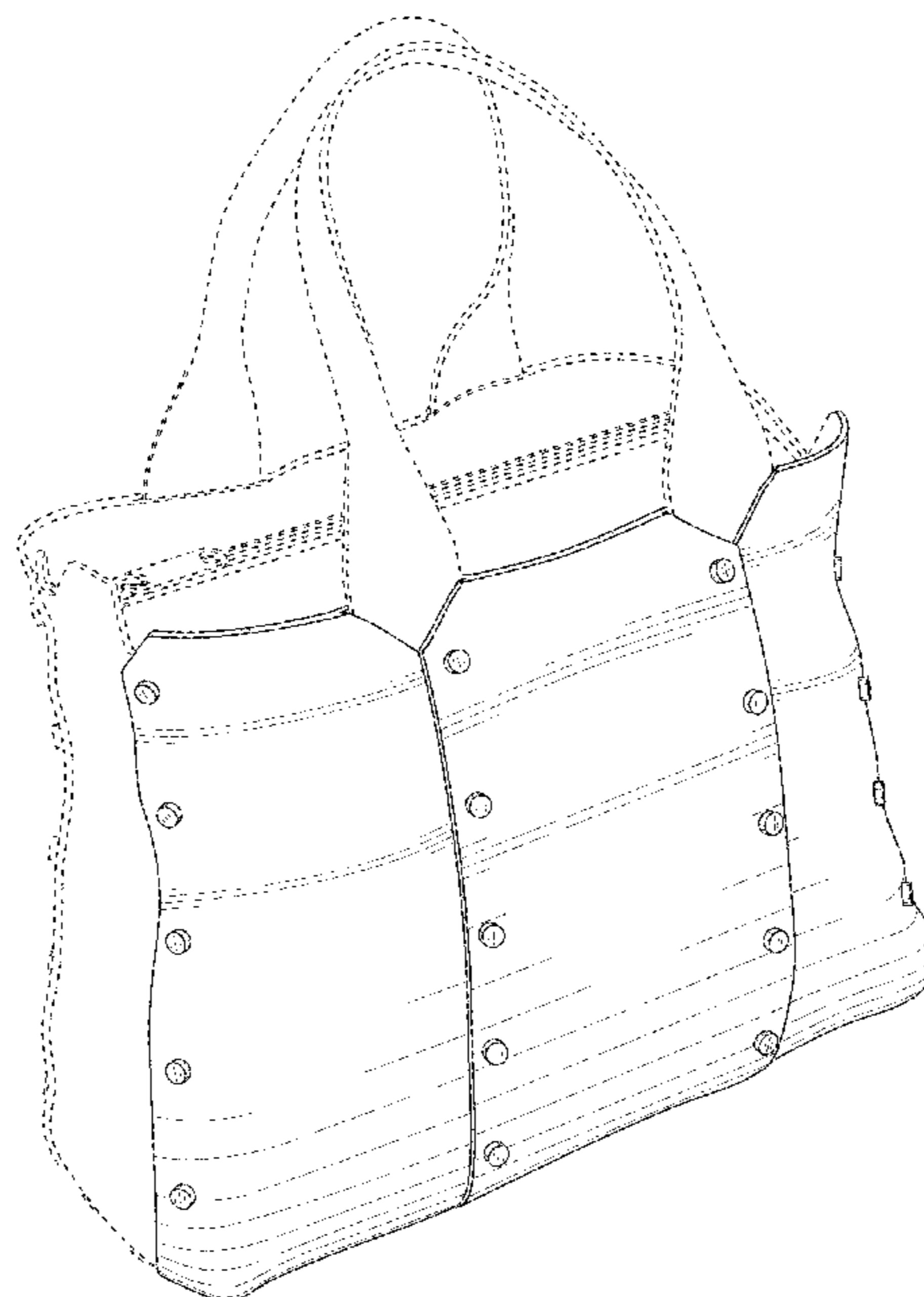




FIG. 1

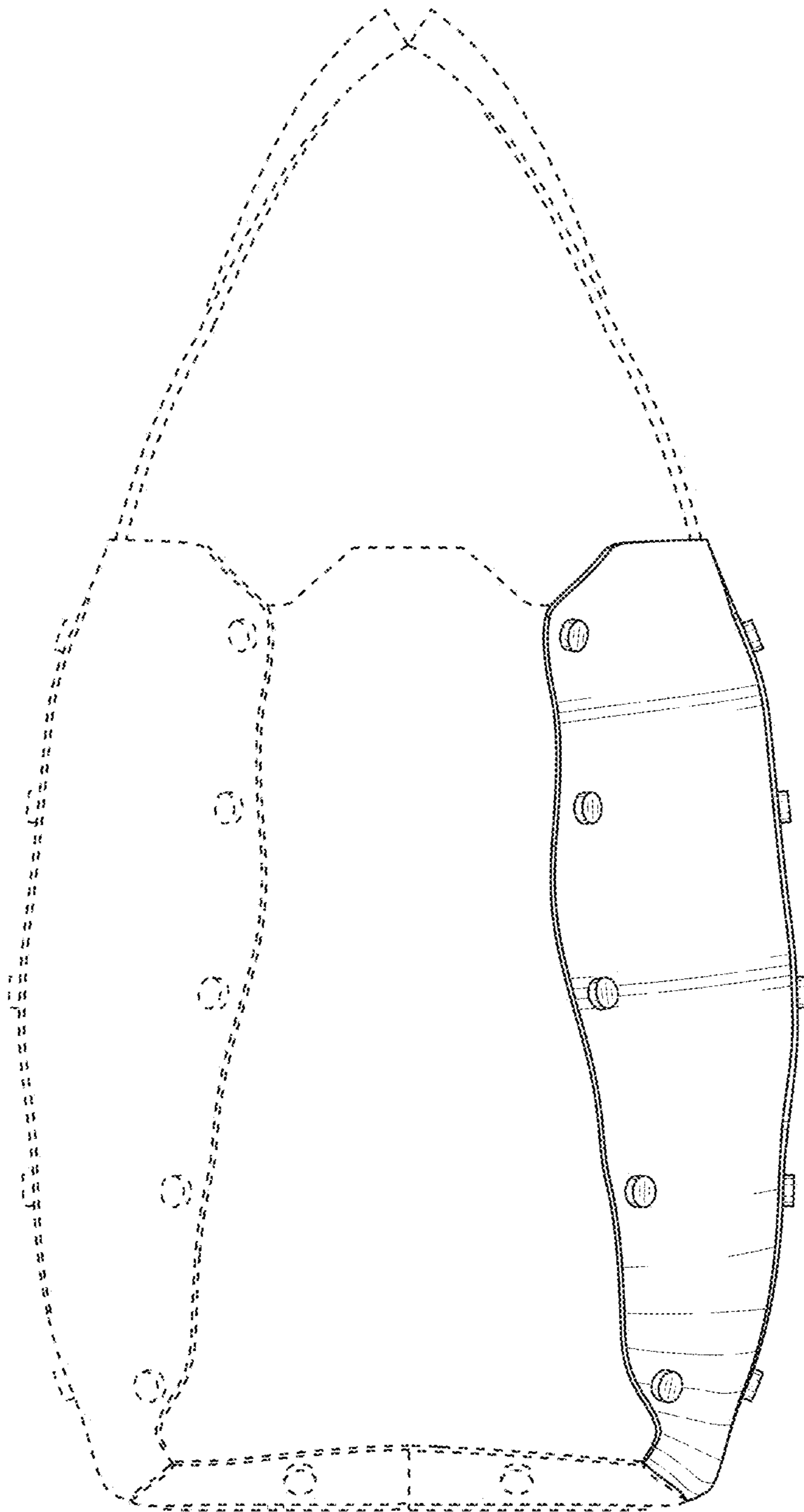


FIG. 2

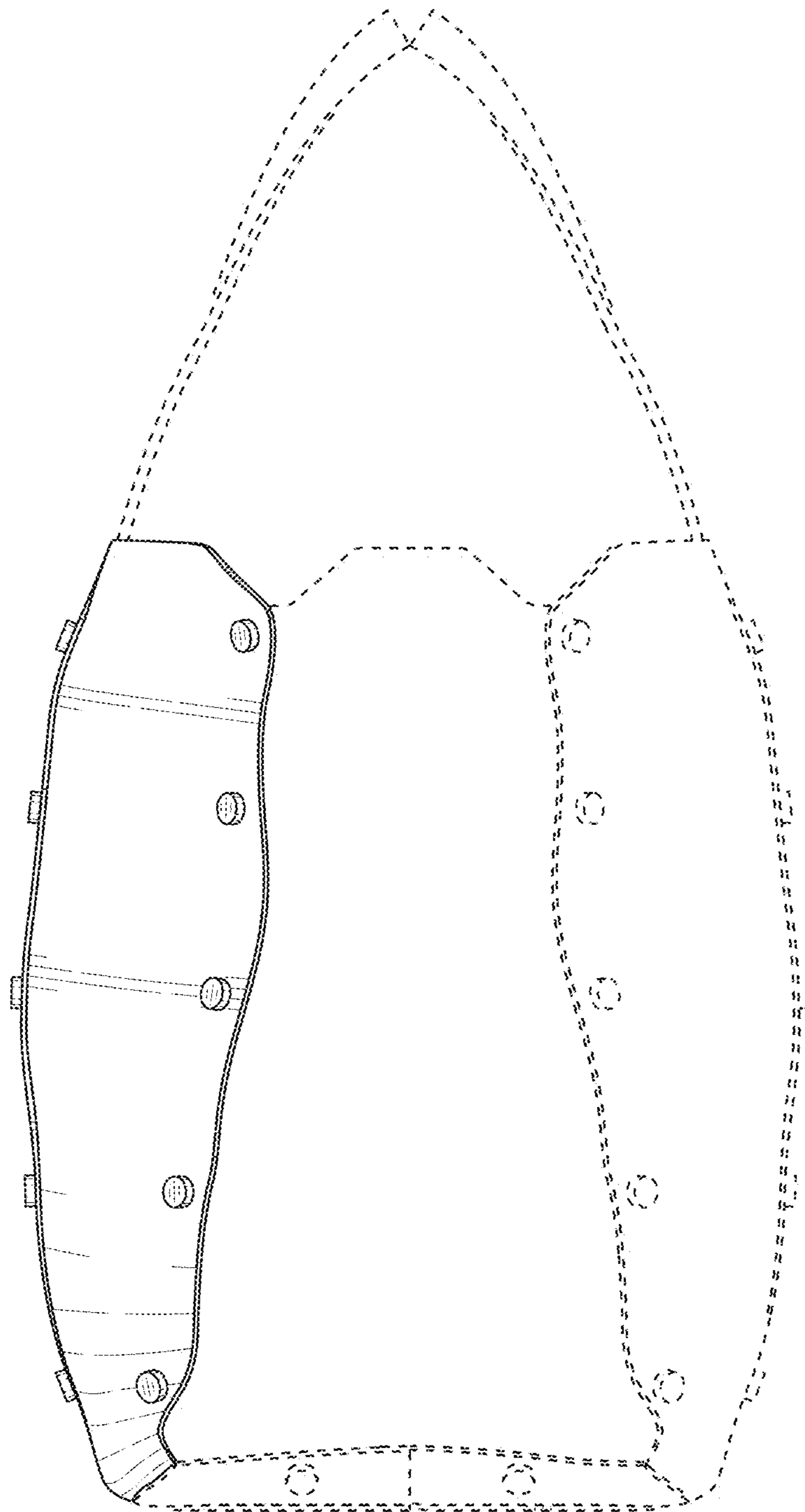


FIG. 3

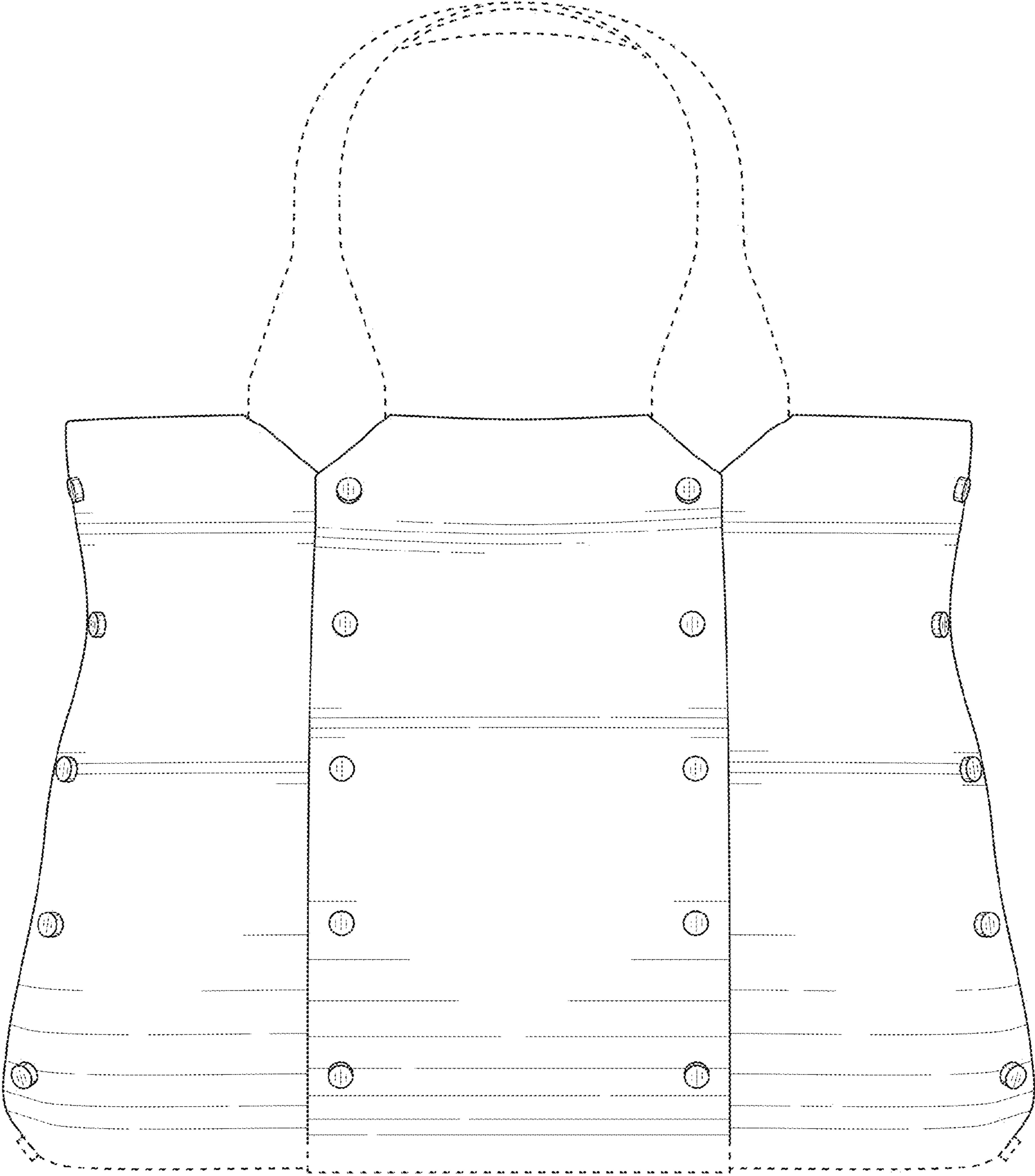


FIG. 4

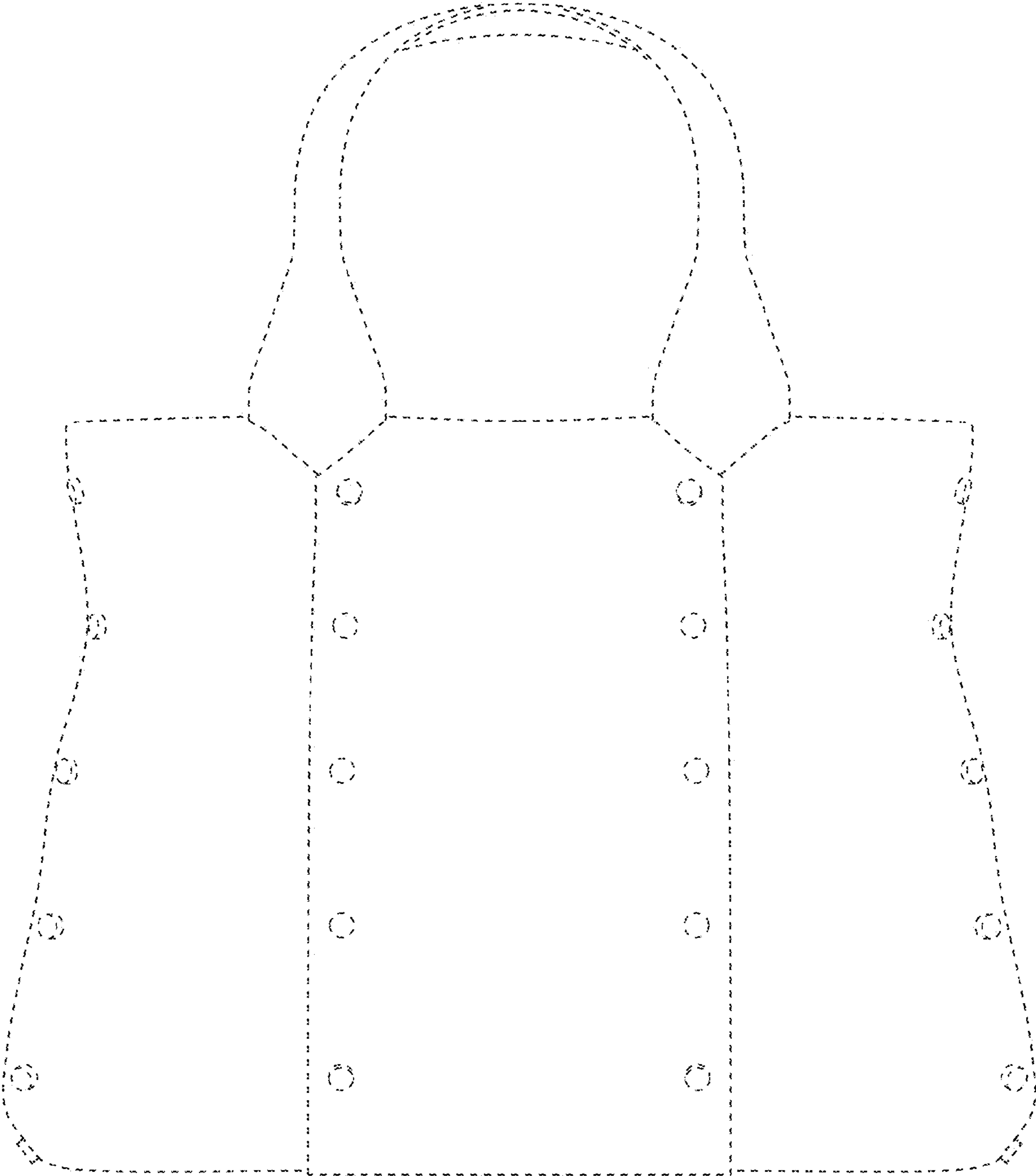


FIG. 5

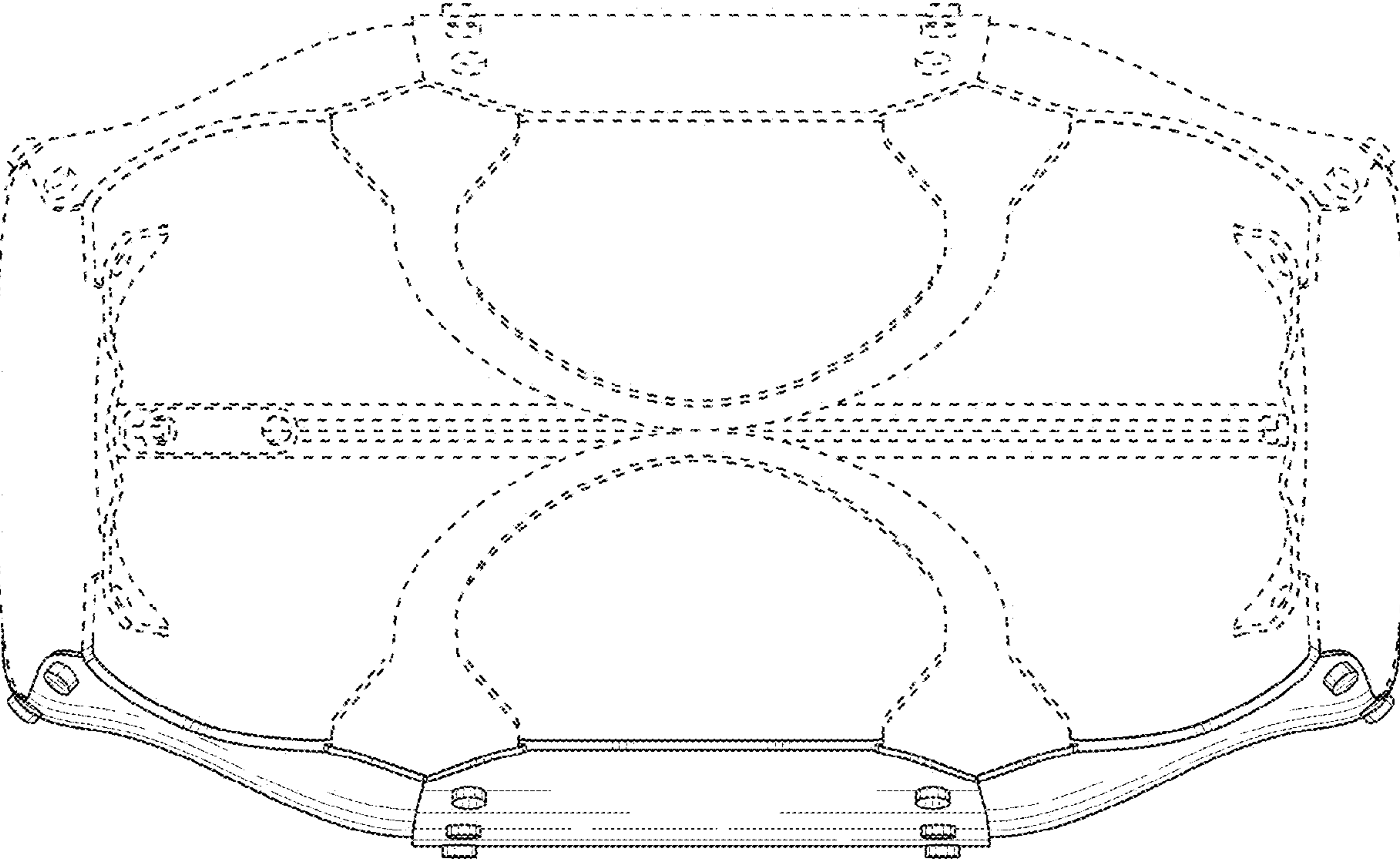


FIG. 6

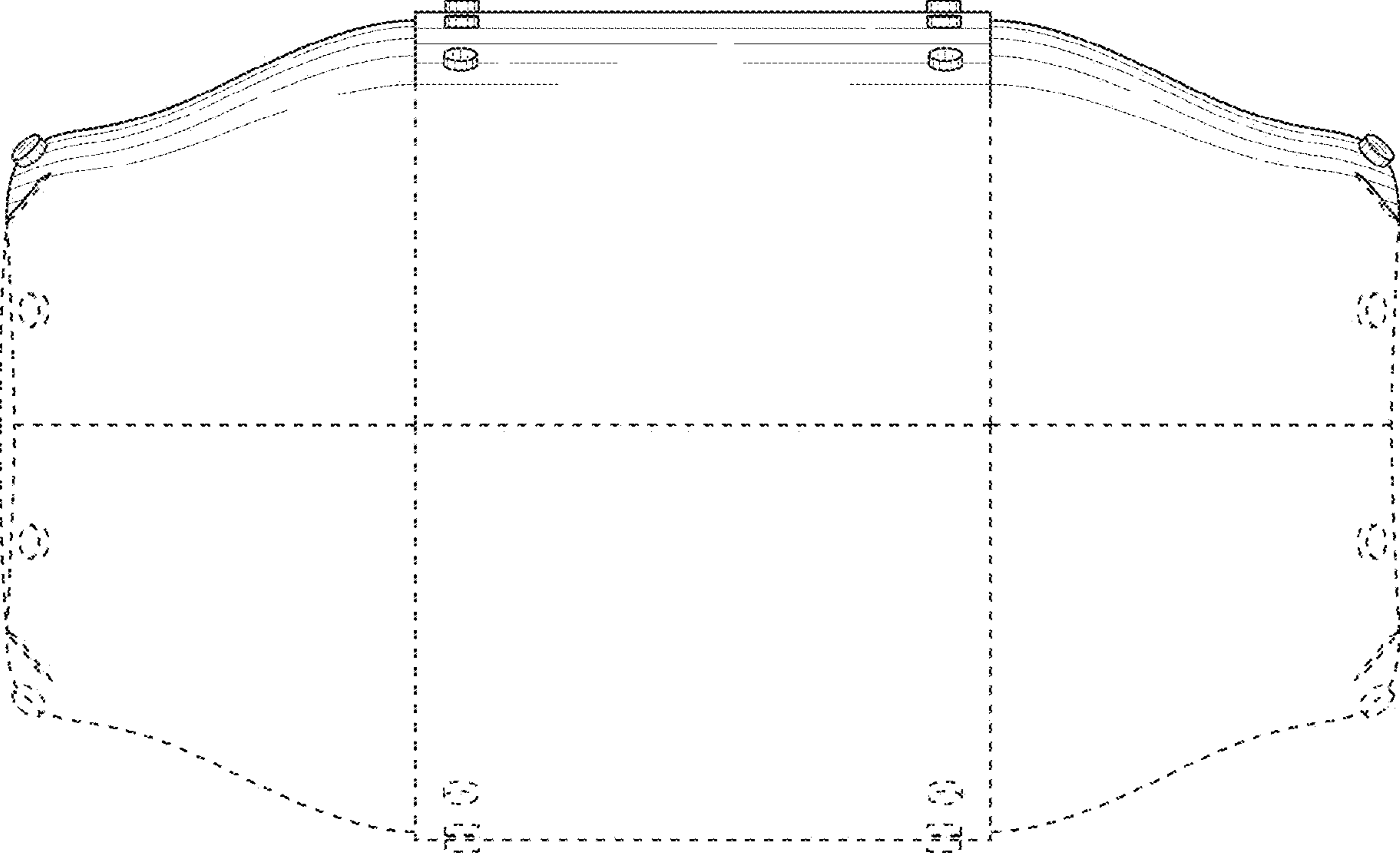


FIG. 7