



US00D888413S

(12) **United States Design Patent**  
**Dai**

(10) **Patent No.:** **US D888,413 S**  
(45) **Date of Patent:** **\*\* Jun. 30, 2020**

- (54) **DIAPER BAG**
- (71) Applicant: **ShenZhen YiHong E-Commerce Co., LTD**, ShenZhen, Guangdong (CN)
- (72) Inventor: **Yi Dai**, ShenZhen (CN)
- (73) Assignee: **ShenZhen YIHONG E-Commerce Co. LTD**, ShenZhen, Guangdong Province (CN)

D725,908 S *	4/2015	Zwetzig	.....	D3/283
D746,049 S *	12/2015	Zwetzig	.....	D3/217
D798,043 S *	9/2017	Sassi	.....	D3/217
D810,424 S *	2/2018	Tobias	.....	D3/217
D819,959 S	6/2018	Choi		
D856,662 S *	8/2019	Breines	.....	D3/217
D873,559 S *	1/2020	Skaff	.....	D3/217
D879,464 S *	3/2020	Vario, Jr.	.....	D3/217
2003/0024960 A1 *	2/2003	Greenstein	.....	A45F 3/047 224/153
2003/0234269 A1 *	12/2003	Shamas	.....	A43B 5/0425 224/576

(\*\*) Term: **15 Years**

\* cited by examiner

(21) Appl. No.: **29/672,219**

*Primary Examiner* — Jennifer L Watkins

(22) Filed: **Dec. 4, 2018**

(74) *Attorney, Agent, or Firm* — iPA & iPM

(51) **LOC (12) Cl.** ..... **03-01**

(57) **CLAIM**

(52) **U.S. Cl.**  
USPC ..... **D3/217**

The ornamental design for a diaper bag, as shown and described.

(58) **Field of Classification Search**  
USPC ..... D3/201, 213–219, 221, 224, 225, 229, D3/230, 232, 243–246, 254, 318  
CPC .. A45C 3/08; A45C 3/06; A45C 13/08; A45C 13/02; A45C 7/0086; A45C 3/00; A45C 13/26; A45F 3/04; A45F 3/02  
See application file for complete search history.

**DESCRIPTION**

FIG. 1 is a front perspective view from right of a diaper bag showing my new design;  
FIG. 2 is a front view thereof;  
FIG. 3 is a top view thereof;  
FIG. 4 is a back view thereof;  
FIG. 5 is a bottom view thereof;  
FIG. 6 is a right side view thereof; and,  
FIG. 7 is a left side view thereof.  
The broken lines in the figures depict stitching and form no part of the claim.

(56) **References Cited**

**U.S. PATENT DOCUMENTS**

D500,590 S *	1/2005	Sachen	.....	D3/216
D690,095 S *	9/2013	Garcia	.....	D3/217

**1 Claim, 4 Drawing Sheets**





**FIG. 1**



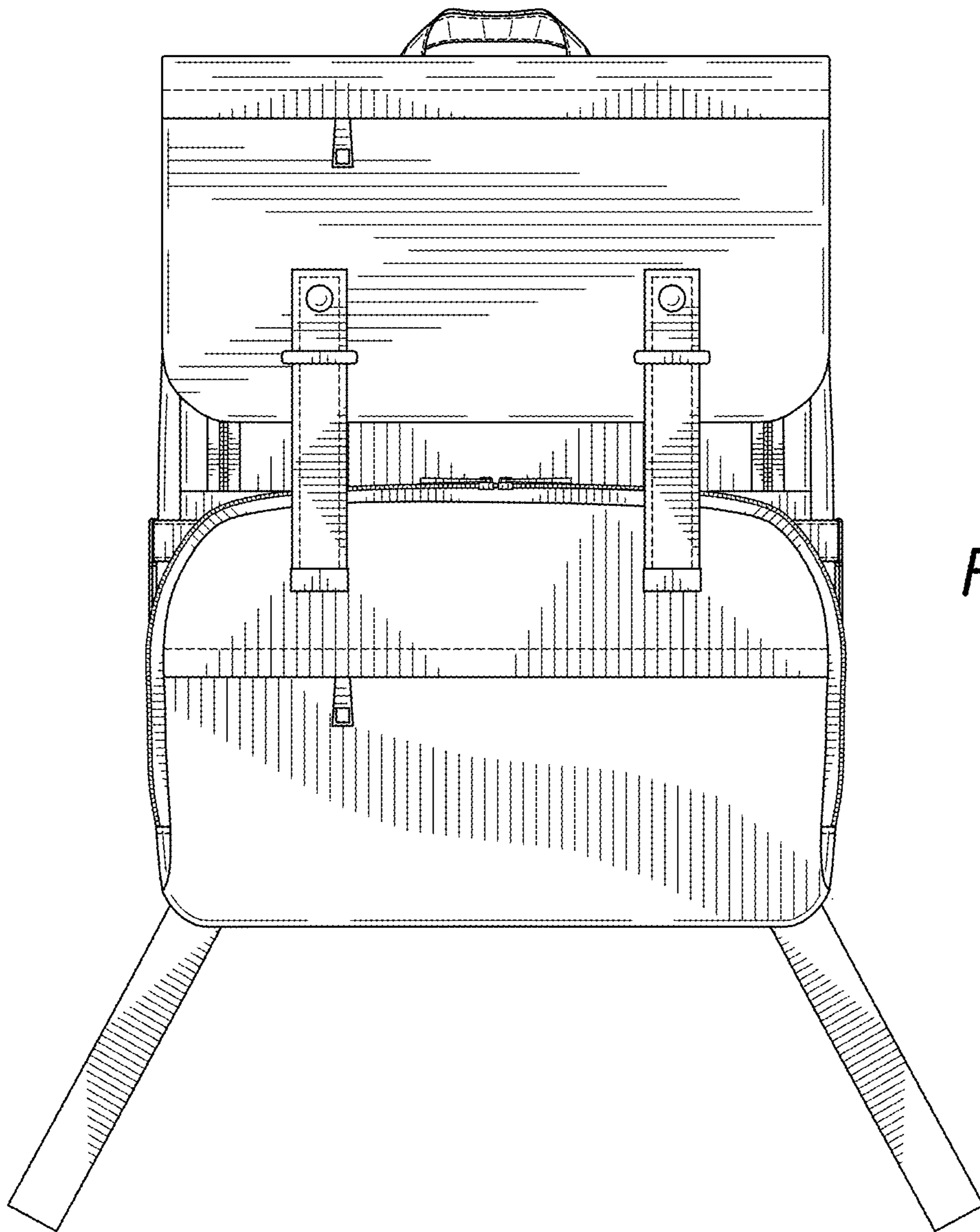


FIG. 2

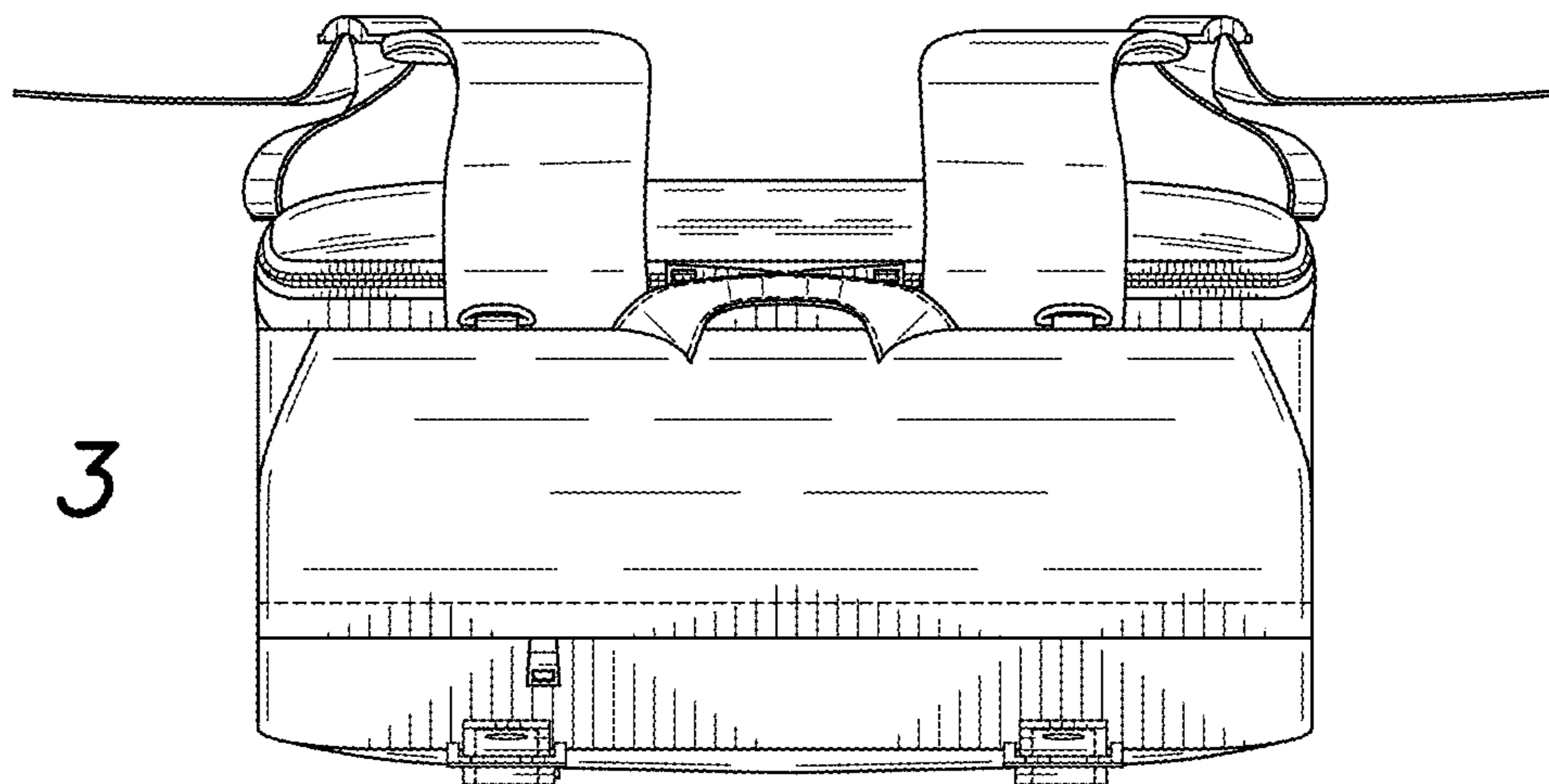
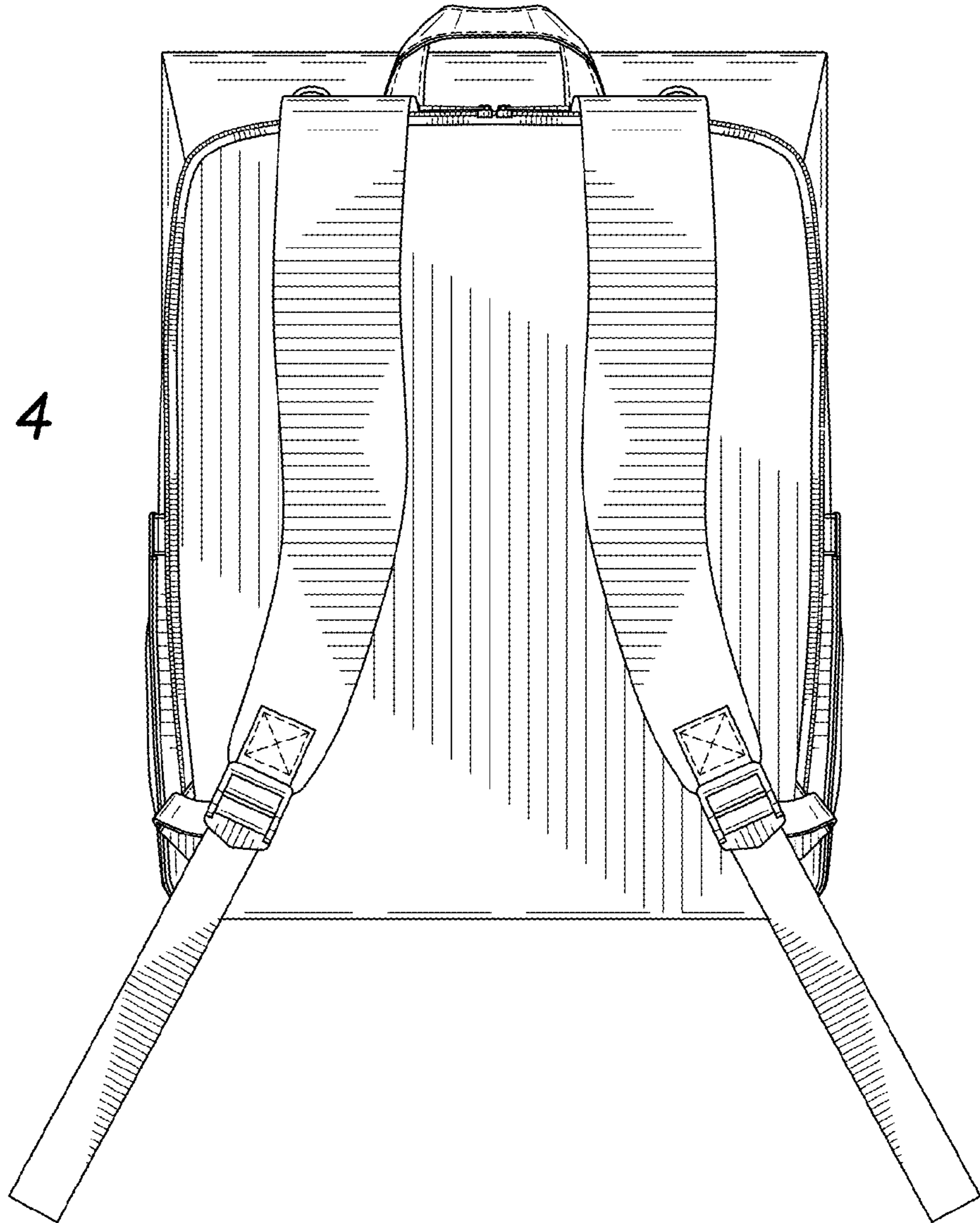
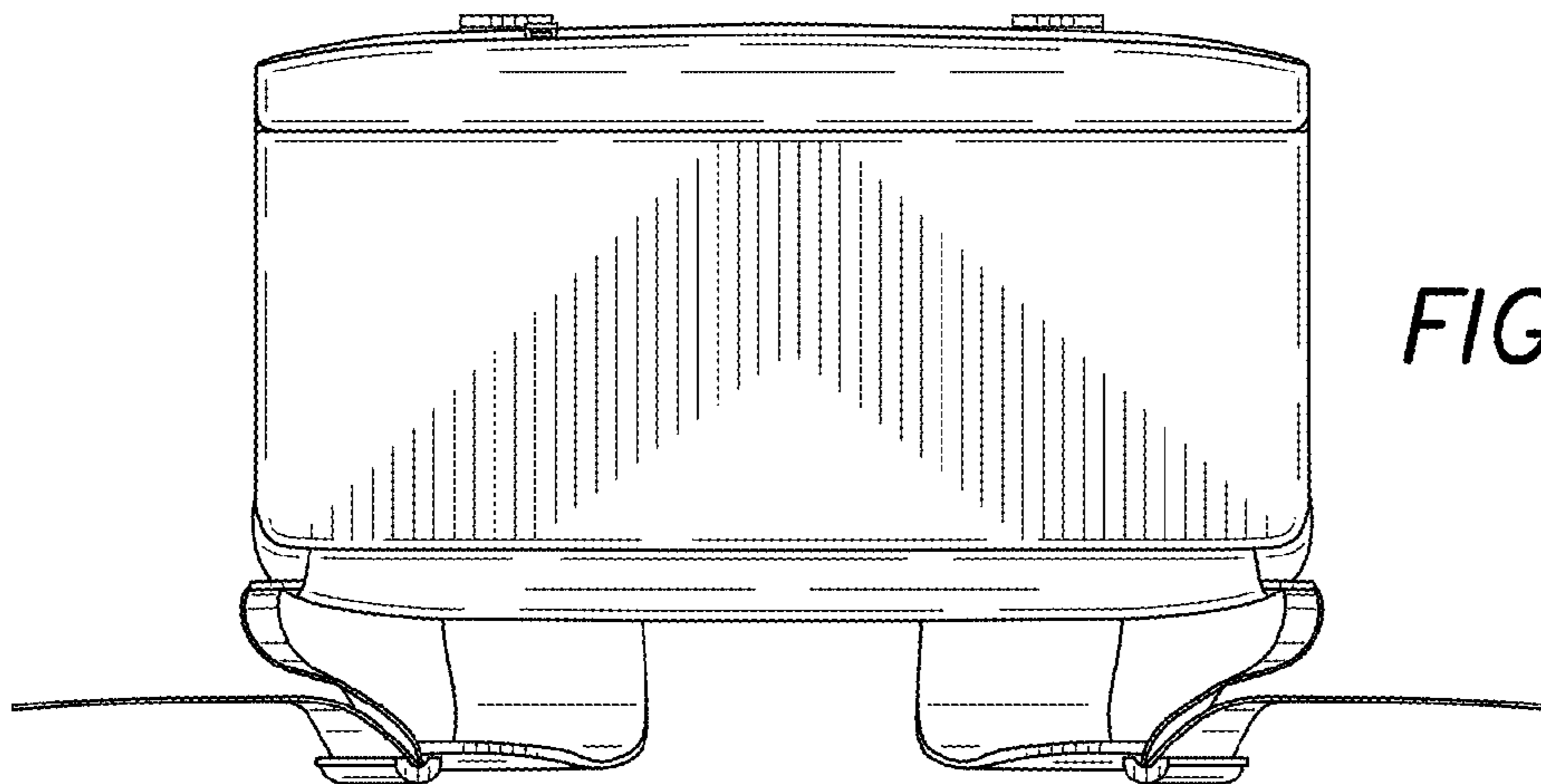


FIG. 3

*FIG. 4*



*FIG. 5*



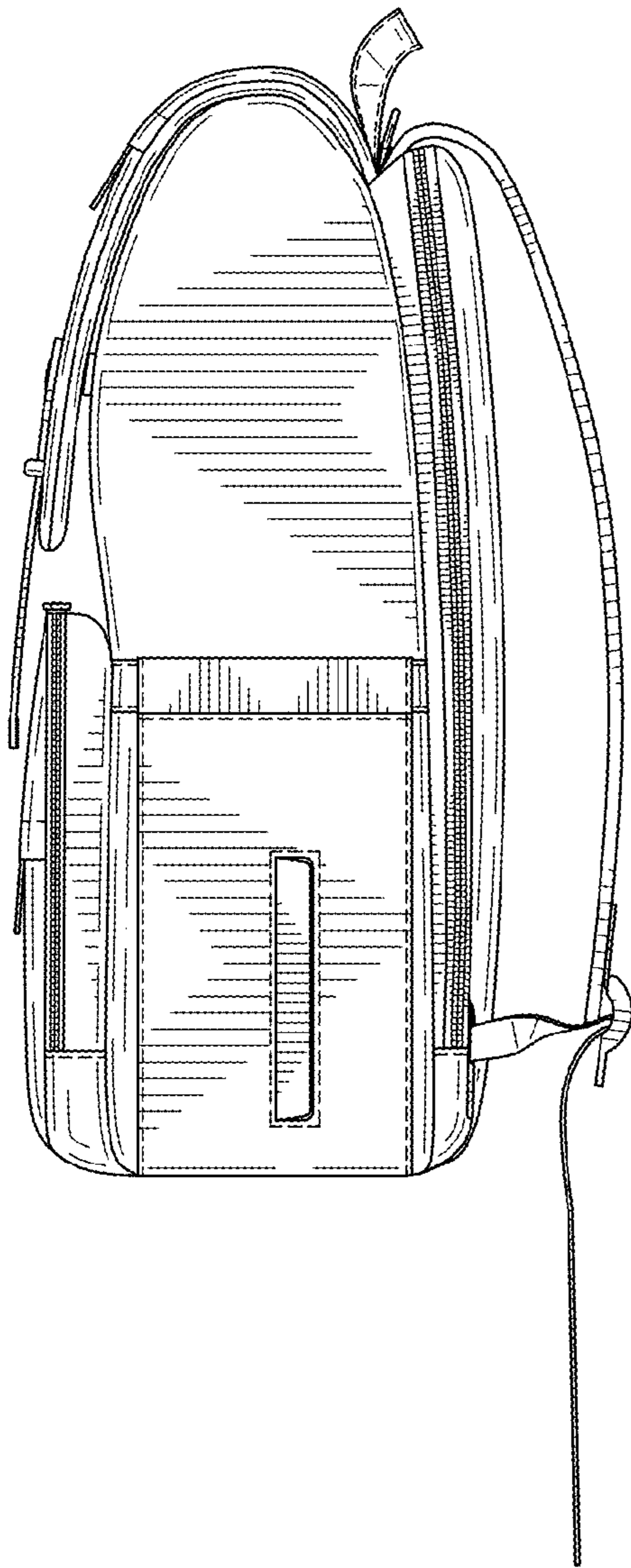


FIG. 6

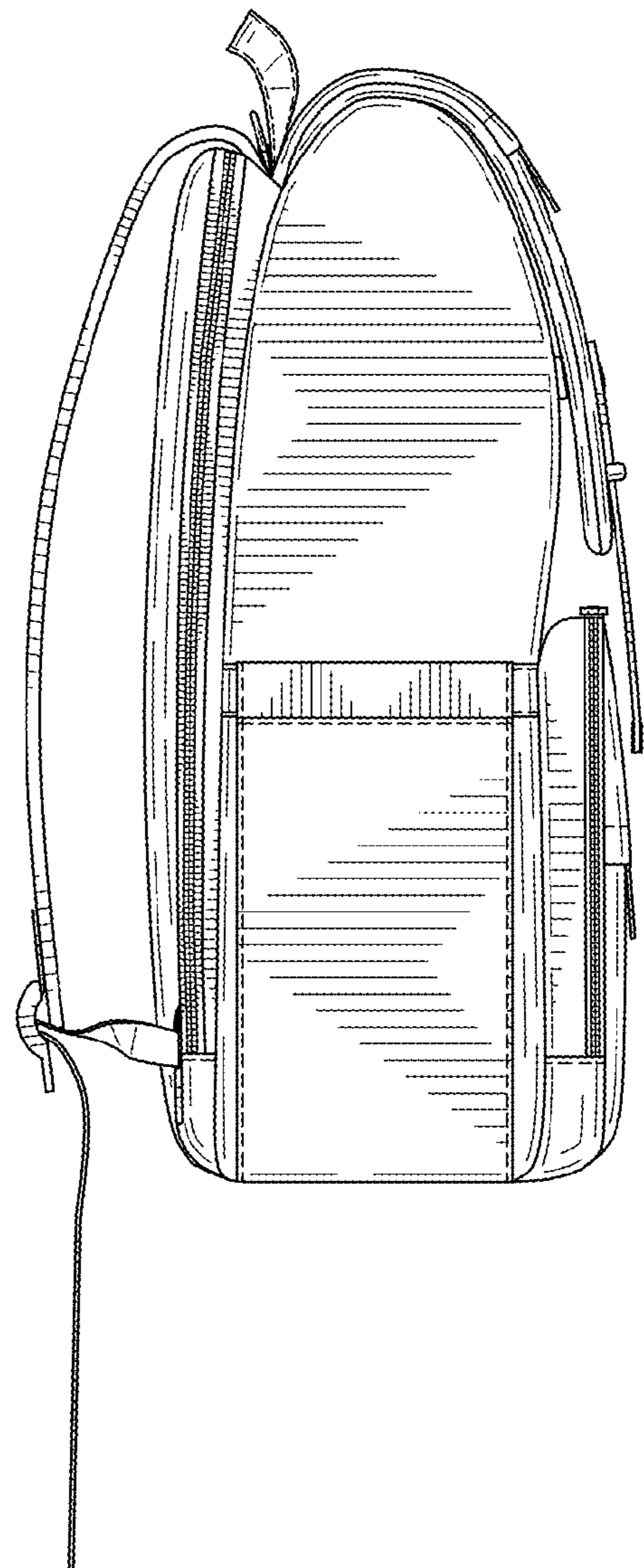


FIG. 7