



US00D888412S

(12) **United States Design Patent**
Jin

(10) **Patent No.:** **US D888,412 S**

(45) **Date of Patent:** **** Jun. 30, 2020**

(54) **LANYARD**

2012/0074186 A1* 3/2012 Hung A45F 3/14
224/254

(71) Applicant: **Youquan Jin**, Shenzhen (CN)

* cited by examiner

(72) Inventor: **Youquan Jin**, Shenzhen (CN)

Primary Examiner — Catherine R Oliver-Garcia

(**) Term: **15 Years**

(57) **CLAIM**

(21) Appl. No.: **29/728,629**

The ornamental design for a lanyard, as shown and described.

(22) Filed: **Mar. 19, 2020**

DESCRIPTION

(51) **LOC (12) Cl.** **03-01**

(52) **U.S. Cl.**
USPC **D3/215**

(58) **Field of Classification Search**
USPC D3/215, 207-212; 222/103; 224/220,
224/254-255; 70/456 R, 459; D11/7-8
CPC A45F 3/14; A45F 5/021; A45F 2005/006;
A01M 31/00; A44B 15/00
See application file for complete search history.

FIG. 1 is a perspective view of a lanyard showing my new design in a first state;
FIG. 2 is a front elevational view thereof;
FIG. 3 is a rear elevational view thereof;
FIG. 4 is an enlarged left side elevational view thereof;
FIG. 5 is an enlarged right side elevational view thereof;
FIG. 6 is a top plan view thereof;
FIG. 7 is a bottom plan view thereof;
FIG. 8 is a perspective view of the lanyard in a second state;
FIG. 9 is a perspective view of the lanyard shown in use, with the lanyard in a third state;
FIG. 10 is an enlarged view of a circled portion 10 of FIG. 1;
FIG. 11 is an enlarged view of a circled portion 11 of FIG. 6; and,
FIG. 12 is an enlarged view of a circled portion 12 of FIG. 8.

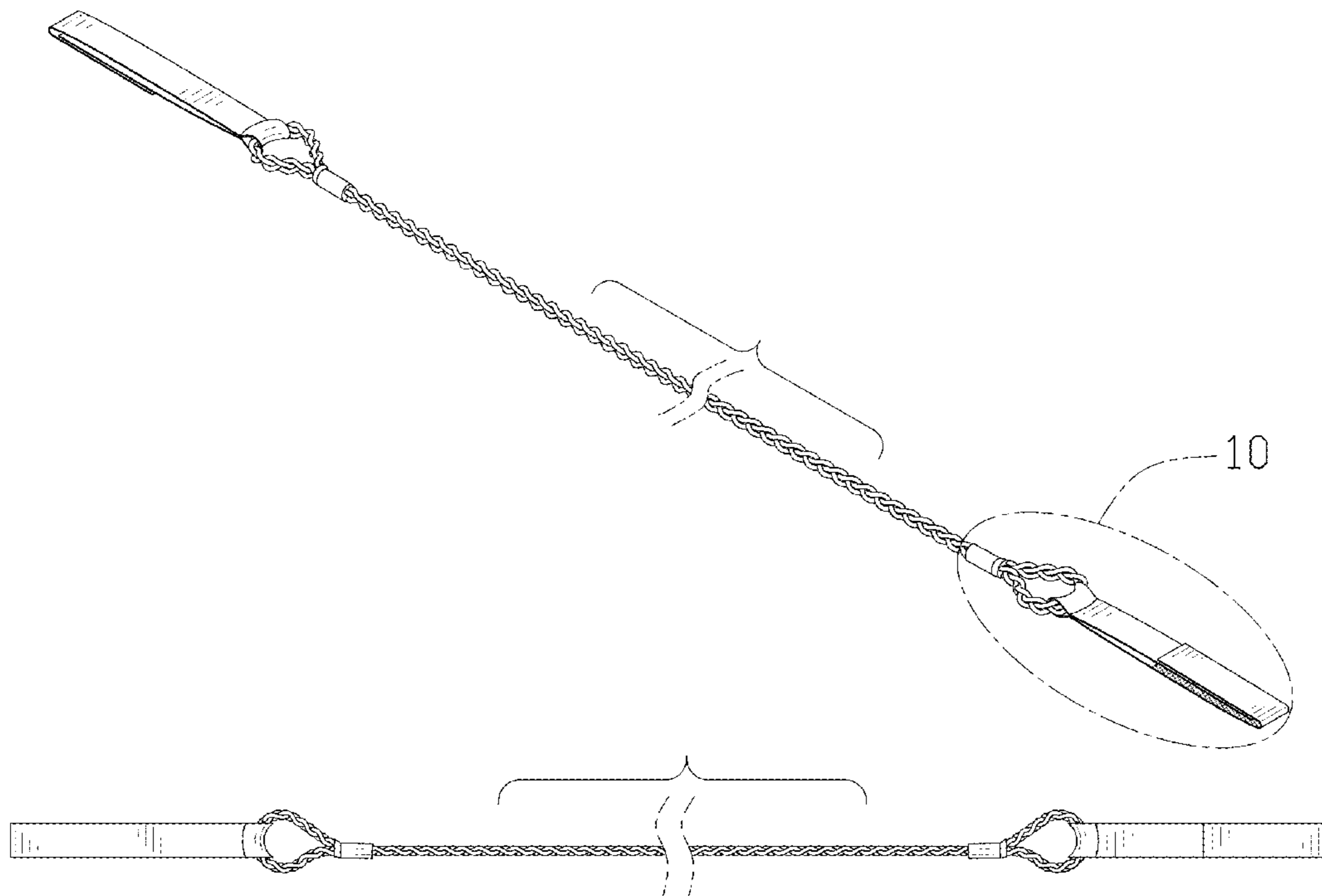
(56) **References Cited**

U.S. PATENT DOCUMENTS

D292,543 S	*	11/1987	Smith	D3/215
D398,551 S		9/1998	Kupelian		
D414,602 S	*	10/1999	Bolen	D3/215
D435,721 S	*	1/2001	Lukach	D3/207
D616,545 S	*	5/2010	Burtch	D3/207
D657,235 S		4/2012	Wang		
D796,835 S	*	9/2017	Mericle	D3/215
D798,042 S	*	9/2017	Moreau	D3/215
D835,396 S	*	12/2018	Raffle	D3/215
D862,875 S	*	10/2019	Liggett	D3/215
D868,454 S	*	12/2019	Moreau	D3/215
D869,148 S	*	12/2019	Moreau	D3/215
2010/0147912 A1	*	6/2010	Salentine	A45F 5/02 224/254

The broken lines in the drawing depict portions of the lanyard that form no part of the claimed design.
The break lines are shown to indicate that no particular length is claimed, and any portion shown in between the breaks forms no part of the claimed design.

1 Claim, 12 Drawing Sheets



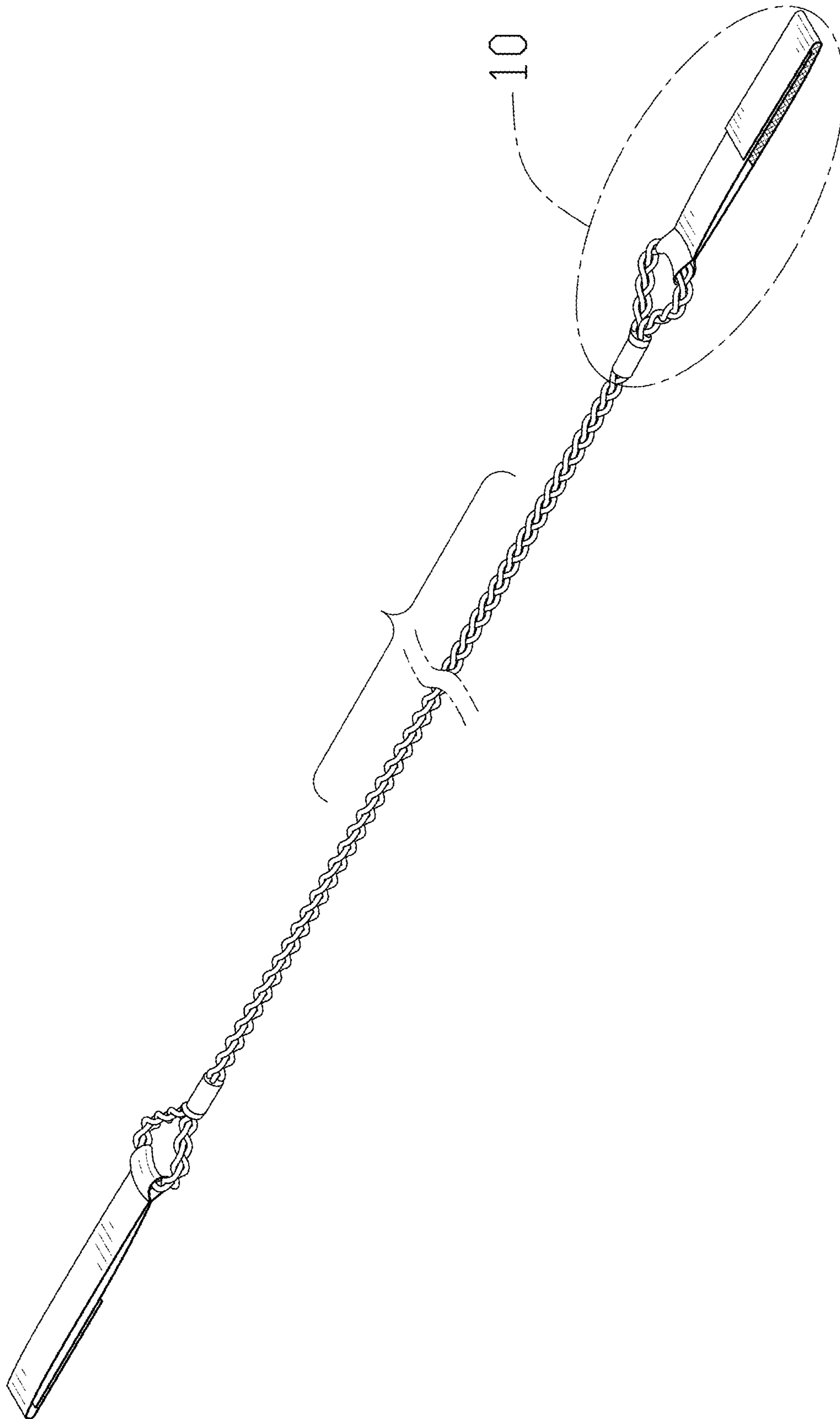


FIG. 1

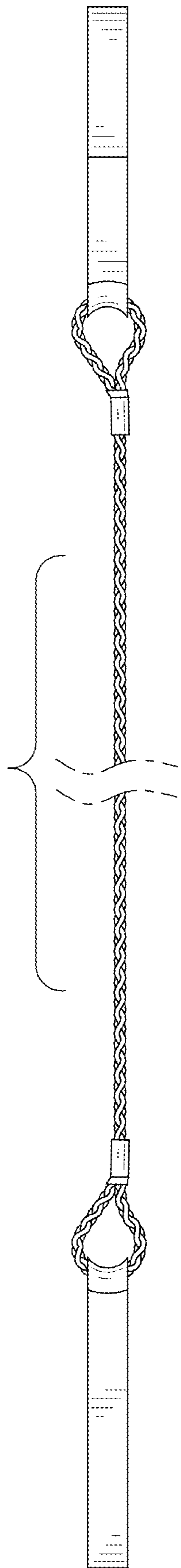


FIG. 2

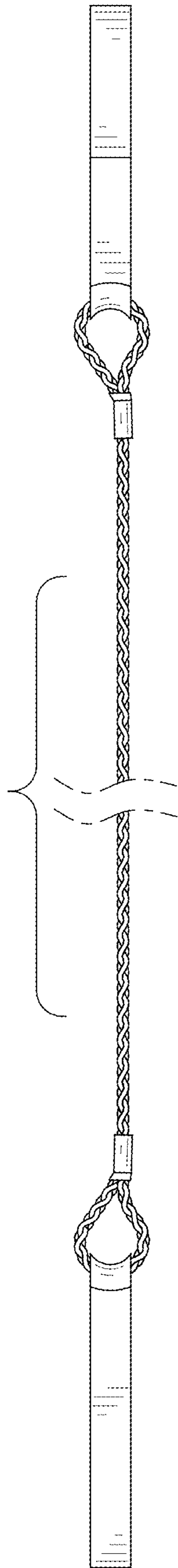


FIG. 3

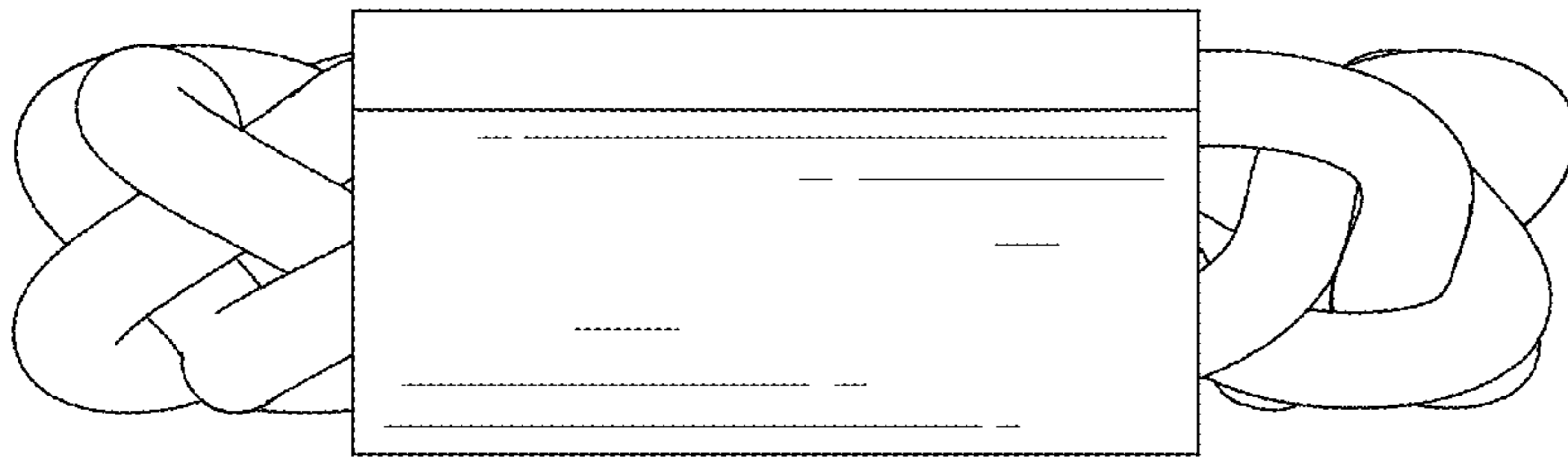


FIG. 4

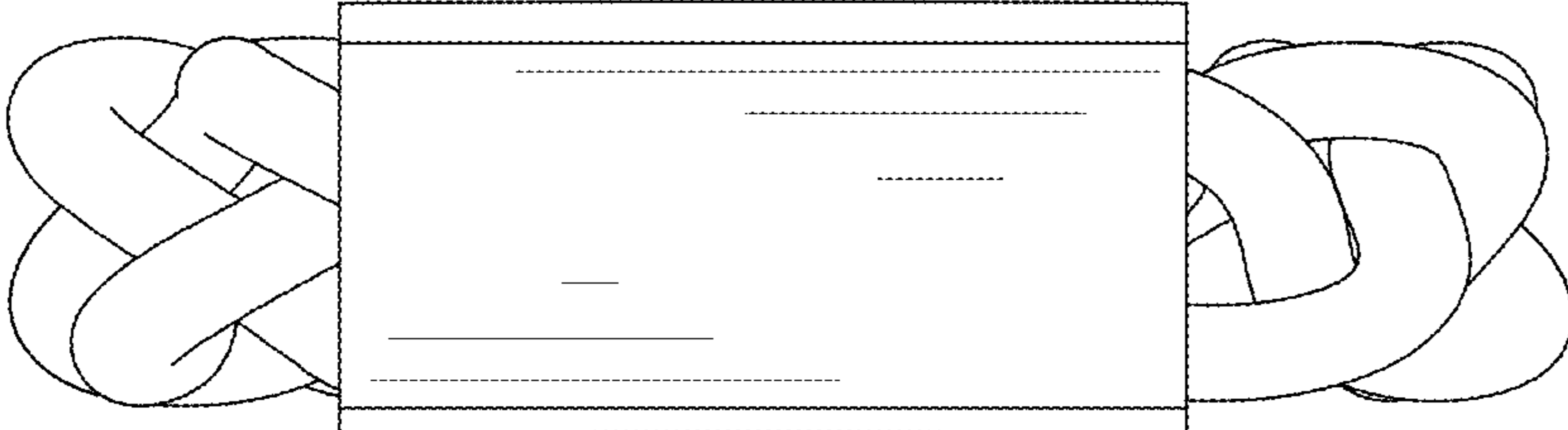


FIG. 5

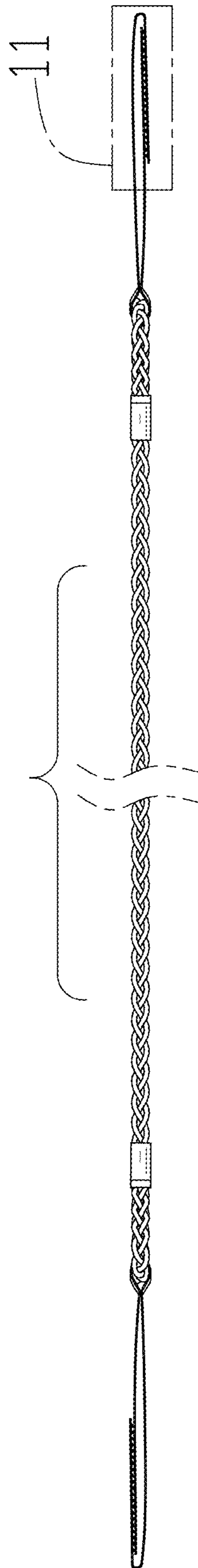


FIG. 6

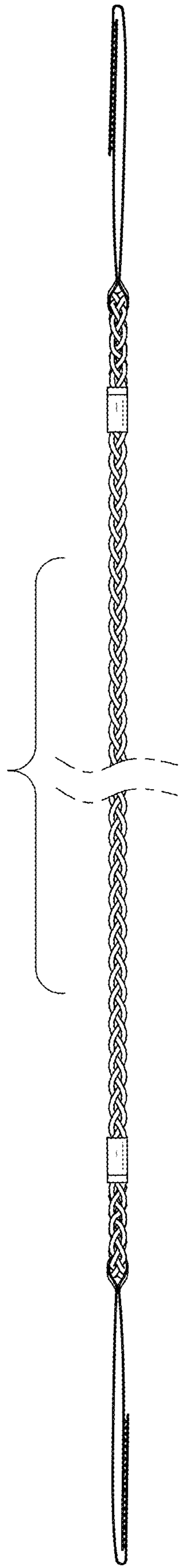


FIG. 7

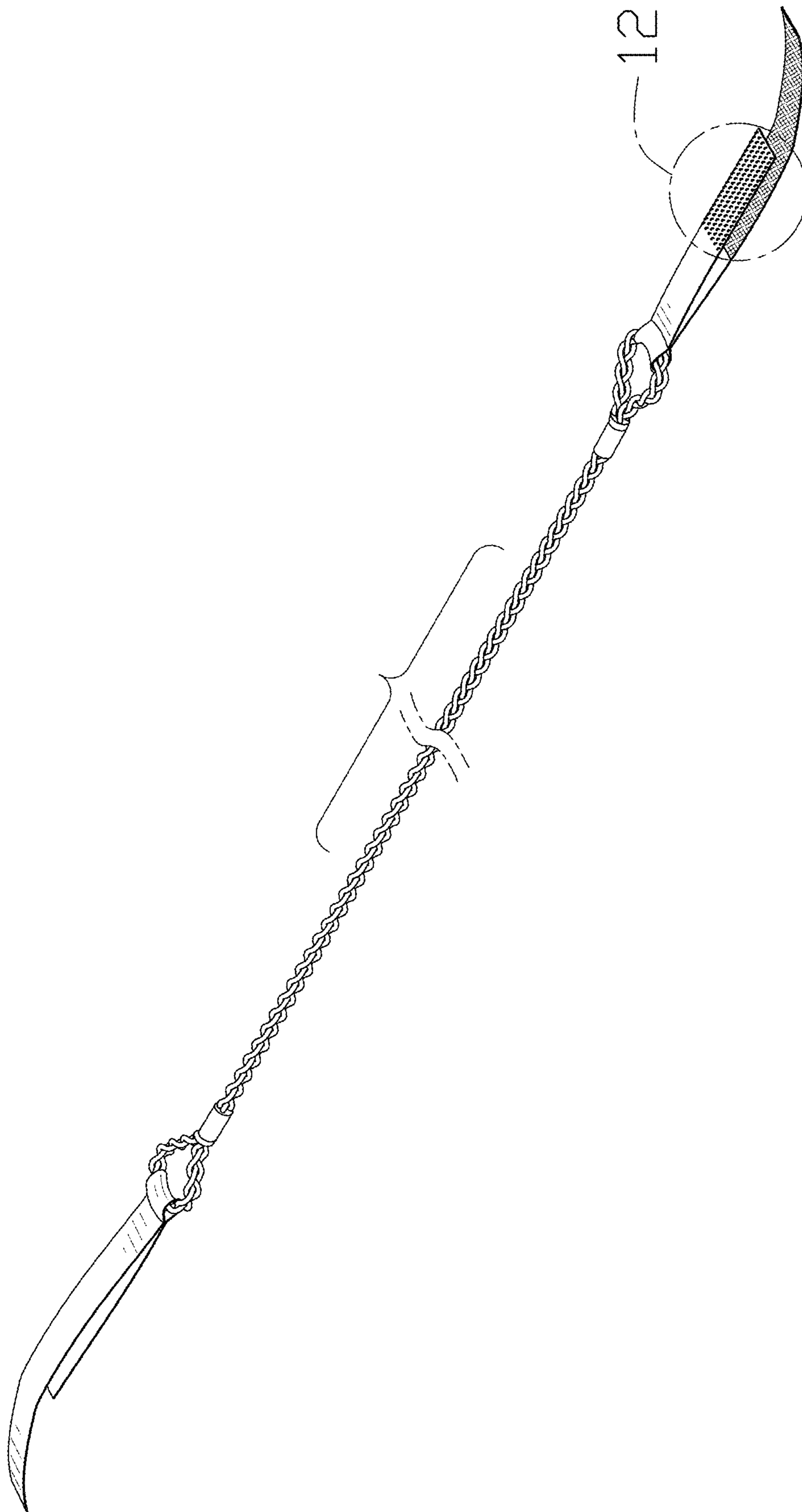


FIG. 8

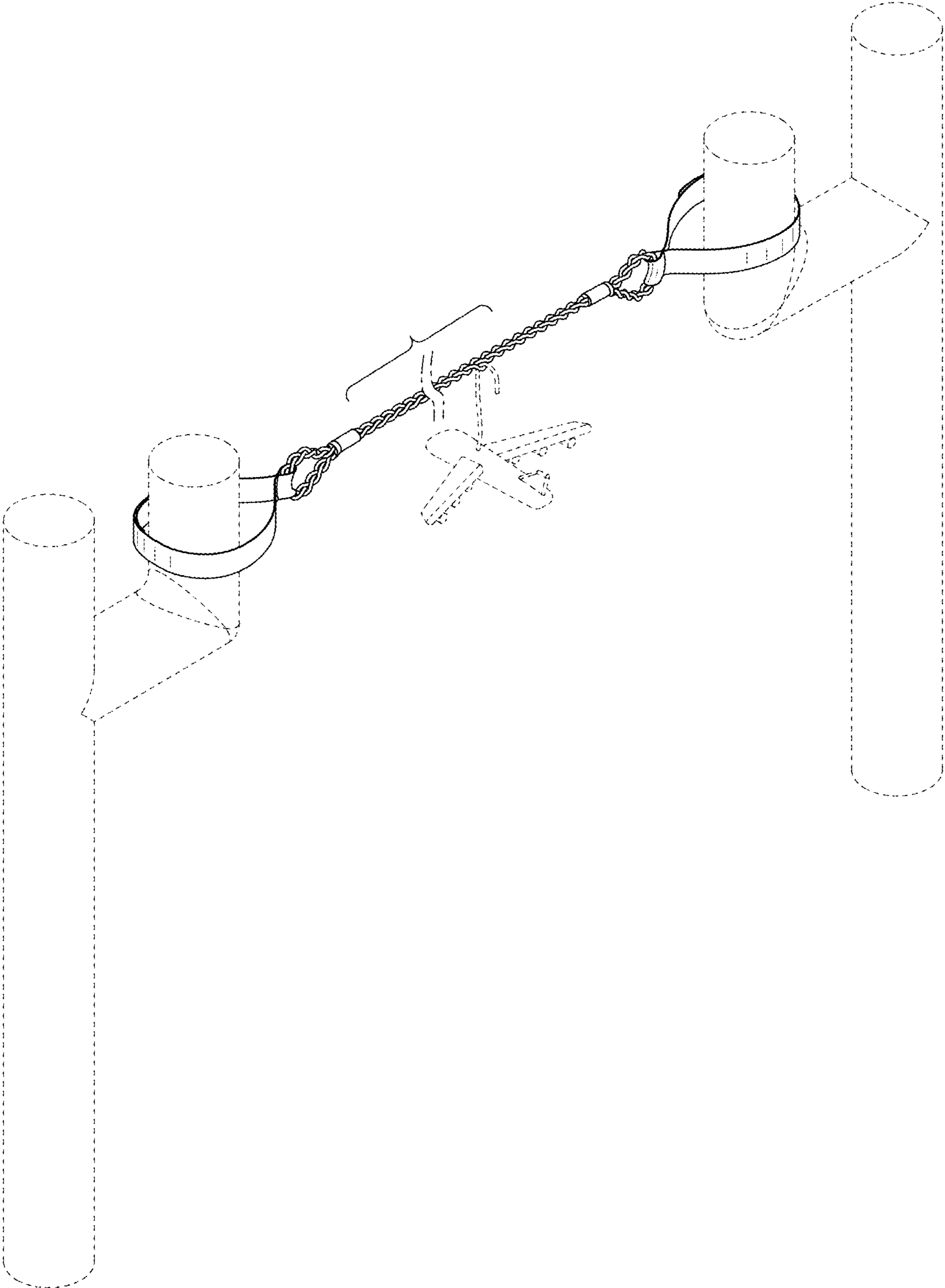


FIG. 9

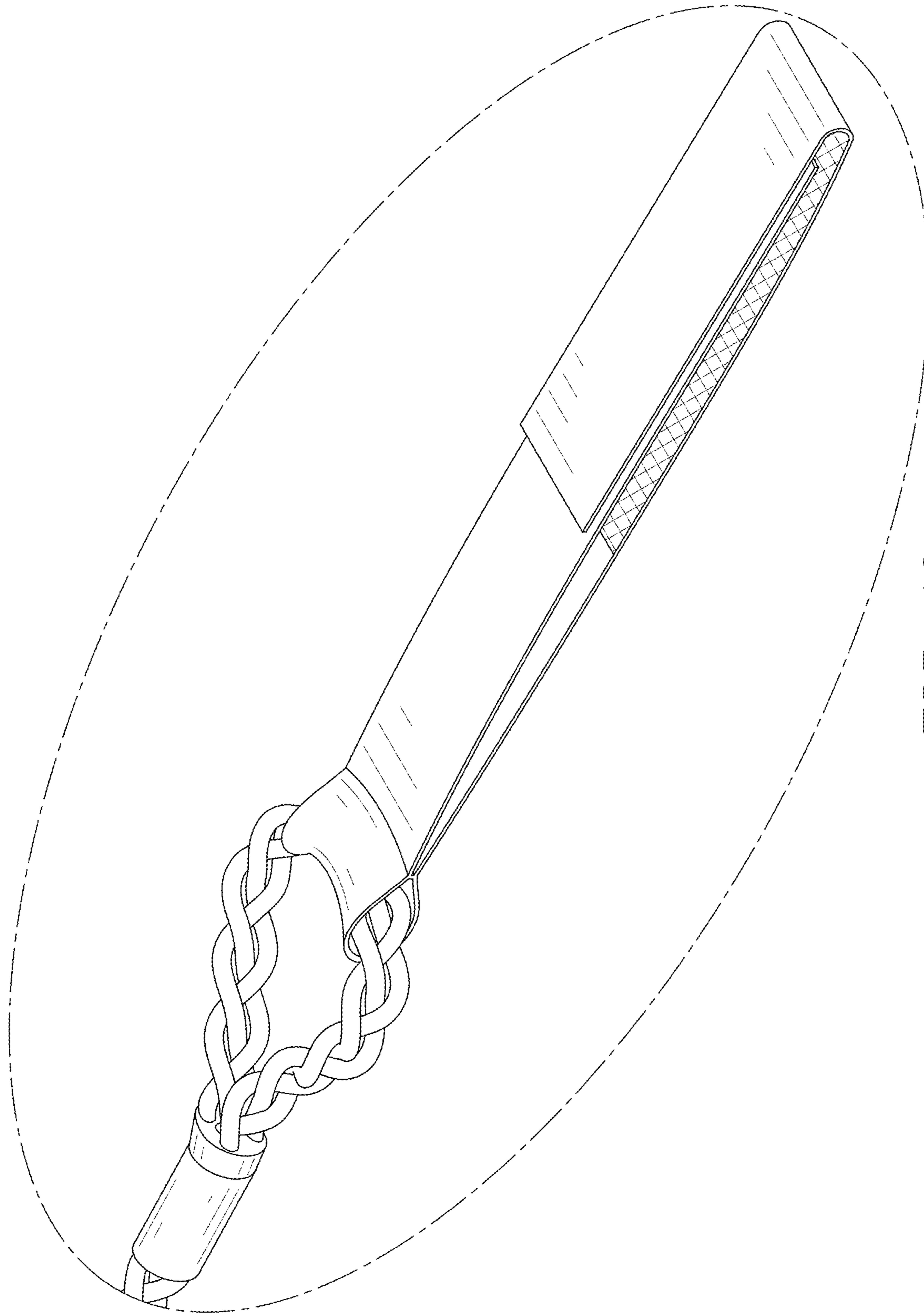


FIG. 10

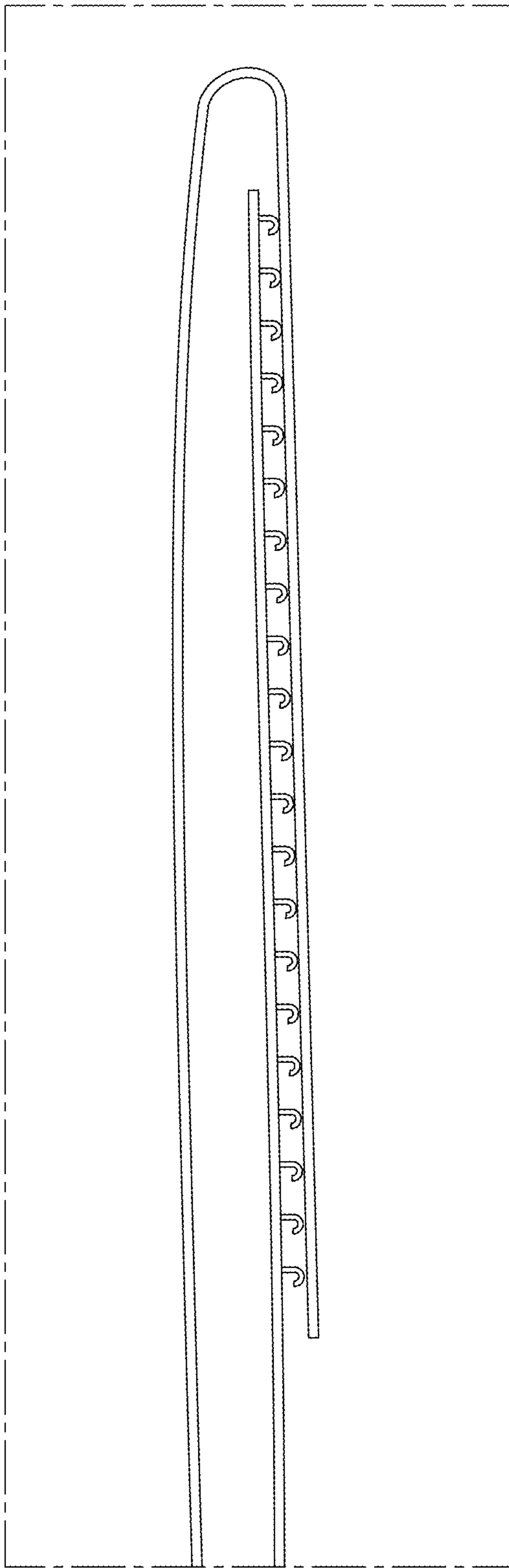


FIG. 11

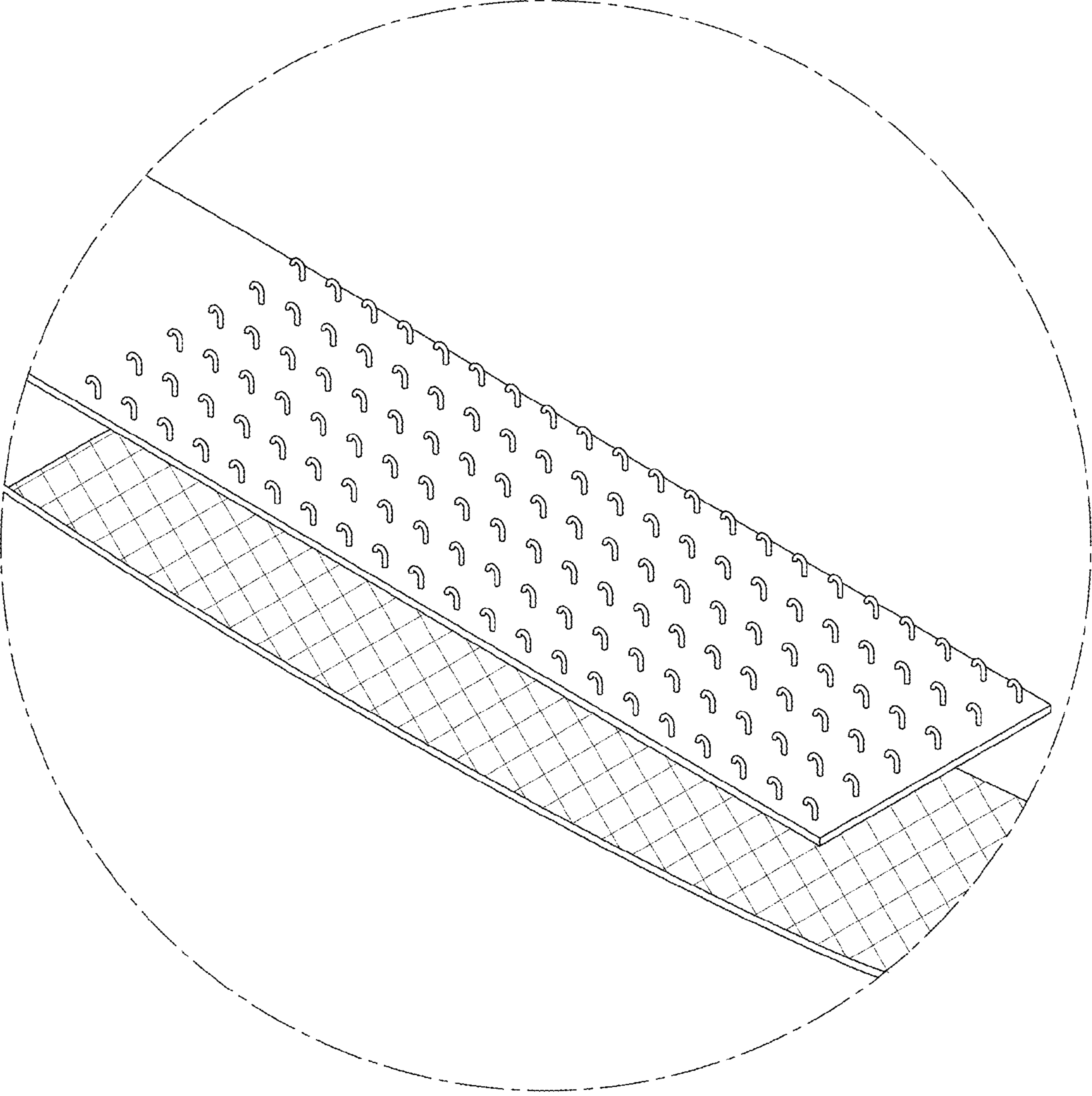


FIG. 12