



US00D888409S

(12) **United States Design Patent**
Baldemor

(10) **Patent No.:** **US D888,409 S**
(45) **Date of Patent:** **** Jun. 30, 2020**

(54) **GUITAR CASE**
(71) Applicant: **Jay Baldemor**, Yorba Linda, CA (US)
(72) Inventor: **Jay Baldemor**, Yorba Linda, CA (US)
(**) Term: **15 Years**
(21) Appl. No.: **29/683,391**
(22) Filed: **Mar. 13, 2019**
(51) **LOC (12) Cl.** **03-01**
(52) **U.S. Cl.**
USPC **D3/204**
(58) **Field of Classification Search**
USPC D3/201, 204, 215, 216, 273, 276, 279,
D3/294, 327; D17/14-20
CPC G10G 7/00-5/005; A45F 3/04
See application file for complete search history.

6,505,762 B2 * 1/2003 Wilfer A45F 3/04
206/314
6,598,772 B1 * 7/2003 Wilfer A45F 3/04
206/314
D487,627 S * 3/2004 Izen D3/204
D520,736 S * 5/2006 Messner D3/204
7,687,701 B1 * 3/2010 Kushner G10G 7/005
206/314
D630,426 S * 1/2011 Wilfer D3/204
7,872,187 B1 * 1/2011 Kushner G10G 7/005
206/314
8,292,138 B2 * 10/2012 Lucey G10G 7/005
206/314
D758,713 S * 6/2016 Bailey, II D3/204
D795,567 S * 8/2017 Goetz D3/204
D828,015 S * 9/2018 Belitz D3/204
10,121,459 B2 * 11/2018 Steinhauser B65D 25/102
D851,914 S * 6/2019 Meikle D3/204
2003/0006258 A1 * 1/2003 Flynn G10G 7/005
224/259

* cited by examiner

Primary Examiner — Mitchell I. Siegel

(56) **References Cited**
U.S. PATENT DOCUMENTS

D19,736 S * 4/1890 Kleineick D3/204
D35,833 S * 4/1902 Kennedy D3/204
D42,984 S * 9/1912 Theiss D3/204
1,986,393 A * 1/1935 Geib G10G 7/005
150/162
D205,723 S * 9/1966 Cohen et al. D3/204
D209,091 S * 10/1967 Daniel D3/204
D250,732 S * 1/1979 Goldschmidt D3/204
D259,900 S * 7/1981 Jacques D3/204
D263,652 S * 4/1982 Peavey D3/204
D269,922 S * 8/1983 Dembicks D3/204
D287,578 S * 1/1987 Shay D11/157
5,219,075 A * 6/1993 White A45C 5/02
150/162
D356,676 S * 3/1995 Sanderson D3/204
D384,807 S * 10/1997 Dougherty D3/204
D388,601 S * 1/1998 Edwards D3/204
D396,345 S * 7/1998 Sanderson D3/204
5,805,066 A * 9/1998 Murdy G10G 7/005
200/85 R

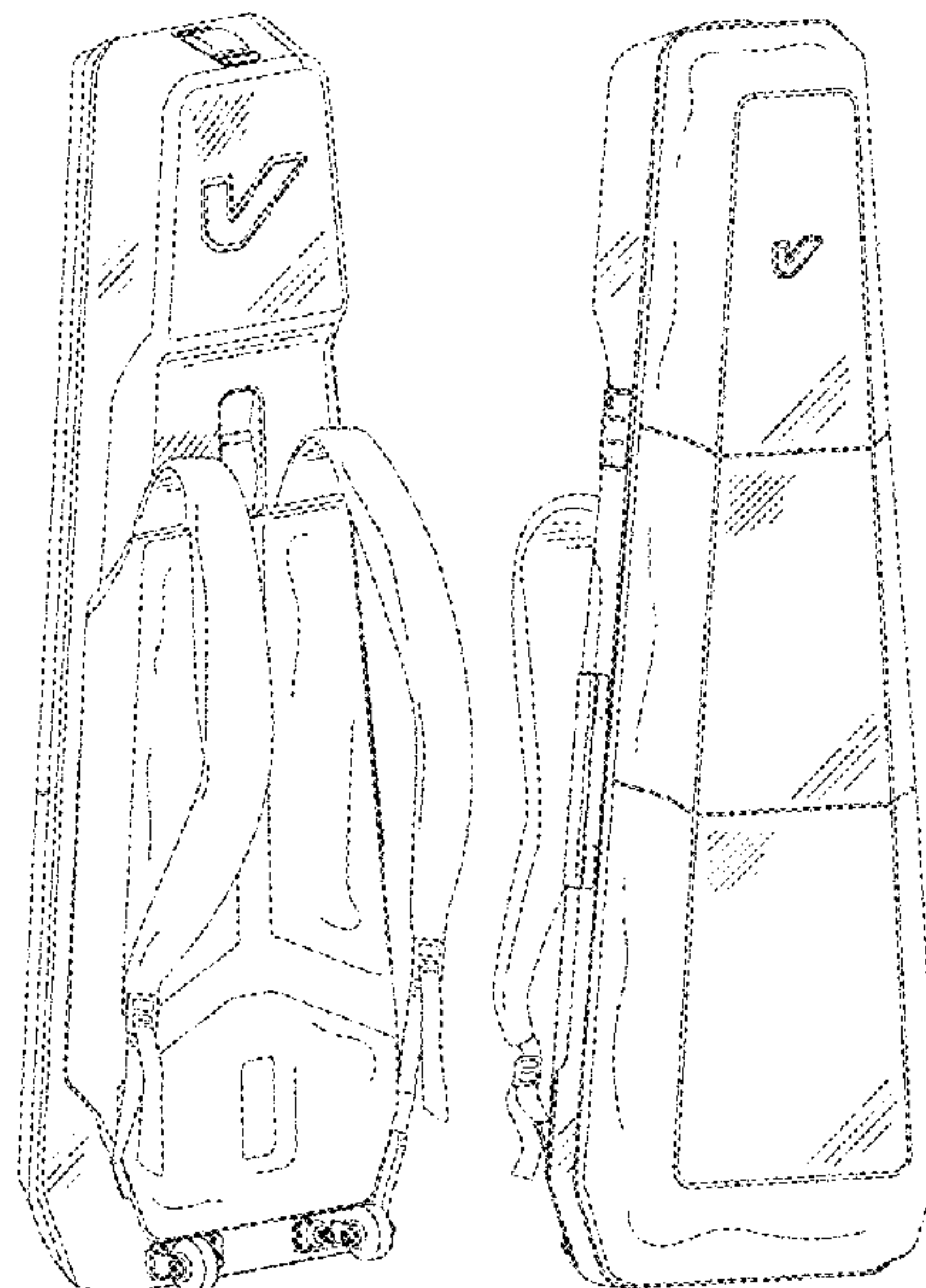
(57) **CLAIM**

I claim the ornamental design for a guitar case, as shown and described.

DESCRIPTION

FIG. 1 is a front view of the guitar case of the claimed design;
FIG. 2 is a back view of the guitar case of FIG. 1;
FIG. 3 is a left side view of the guitar case of FIG. 1;
FIG. 4 is a right side view of the guitar case of FIG. 1;
FIG. 5 is a top view of the guitar case of FIG. 1;
FIG. 6 is a bottom view of the guitar case of FIG. 1;
FIG. 7 is a back perspective view of the guitar case of FIG. 1; and,
FIG. 8 is a front perspective view of the guitar case of FIG. 1.

1 Claim, 8 Drawing Sheets



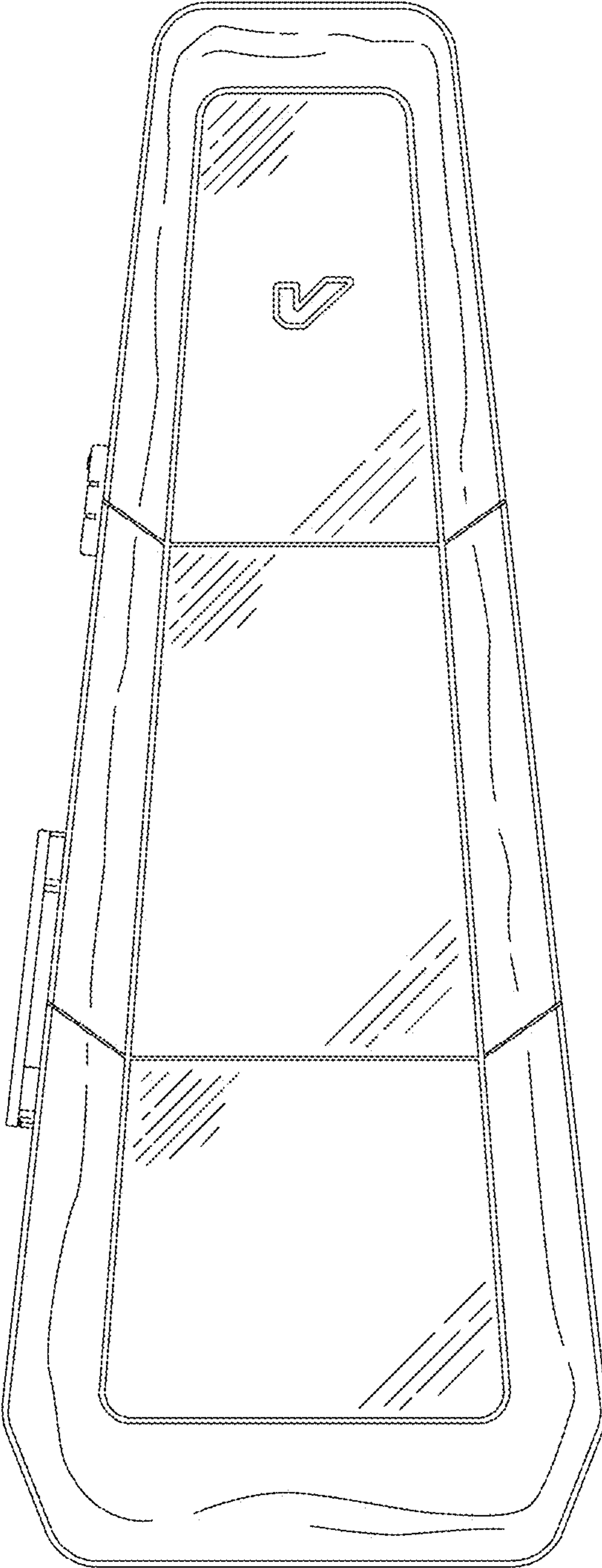


Figure 1

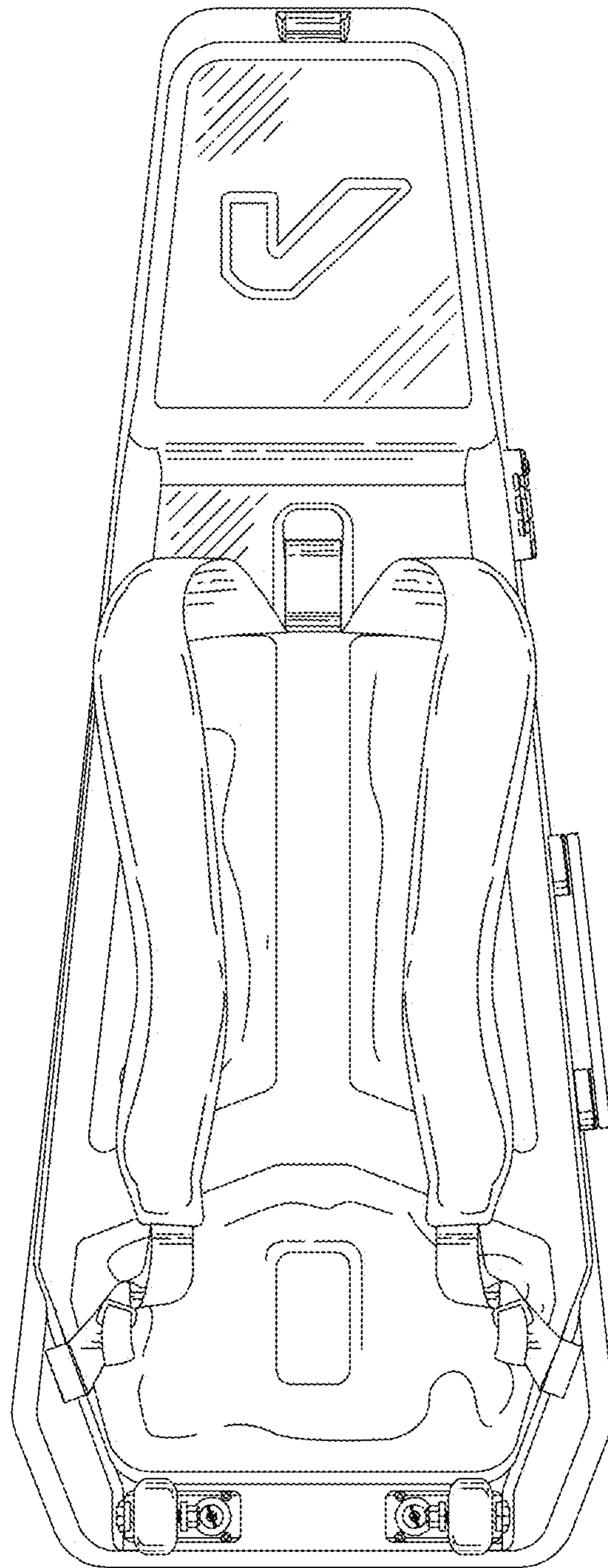


Figure 2

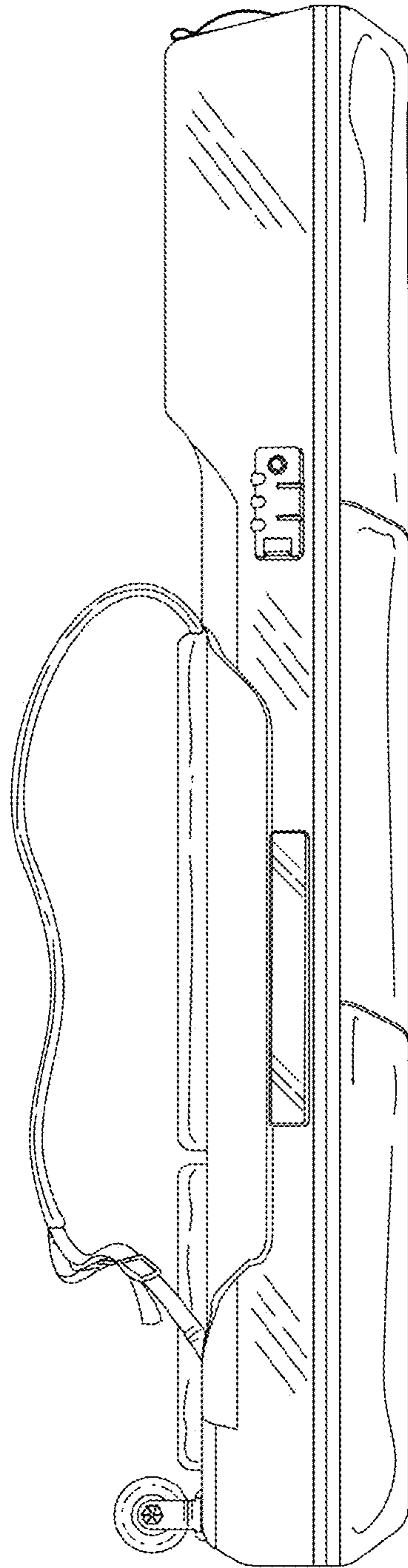


Figure 3

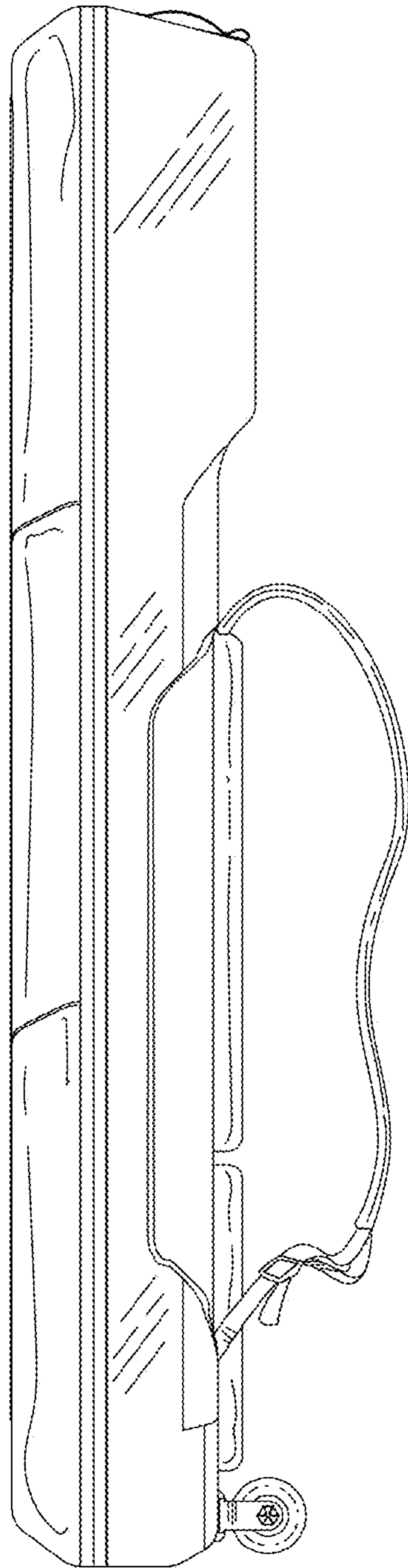


Figure 4

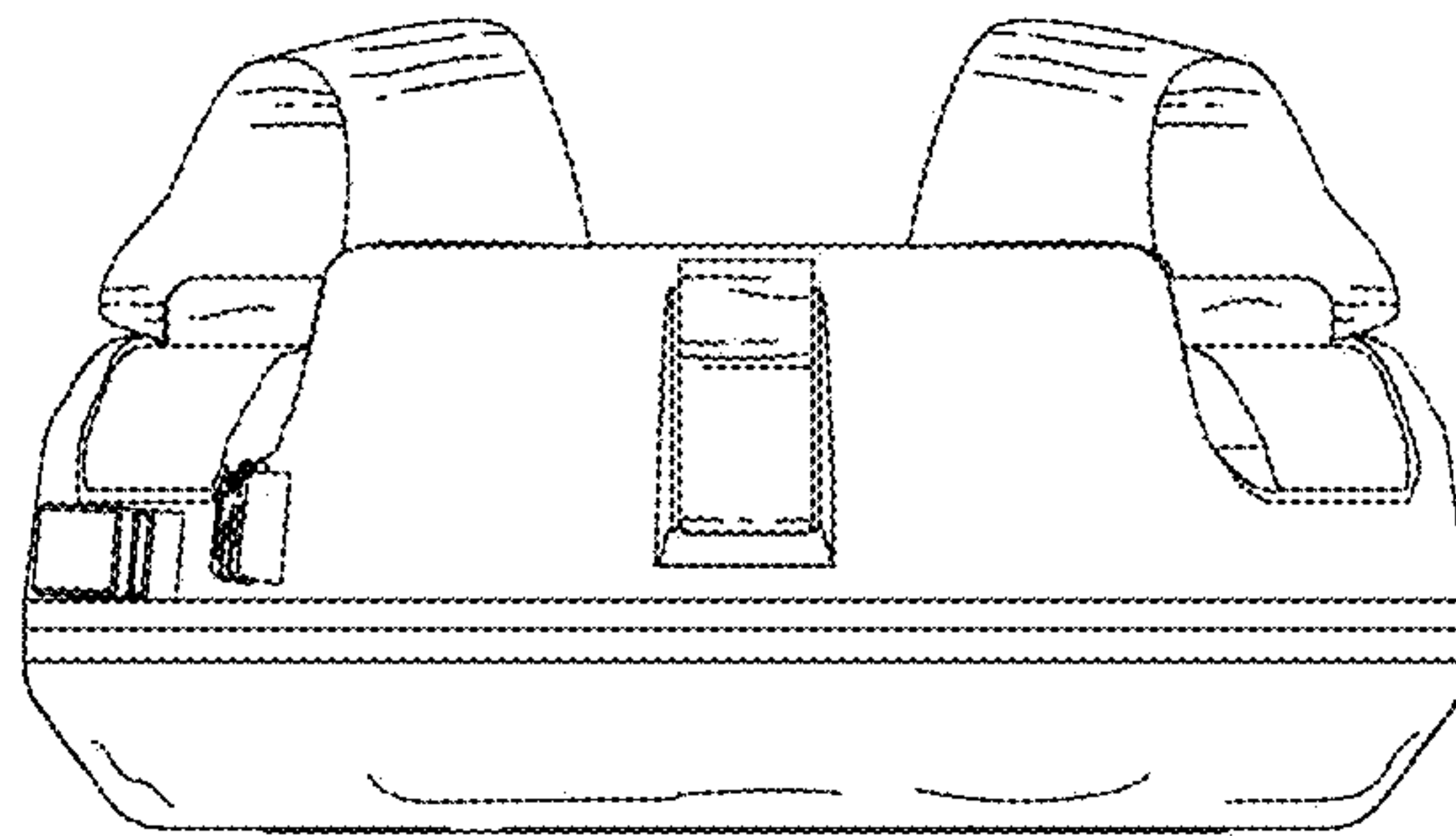


Figure 5

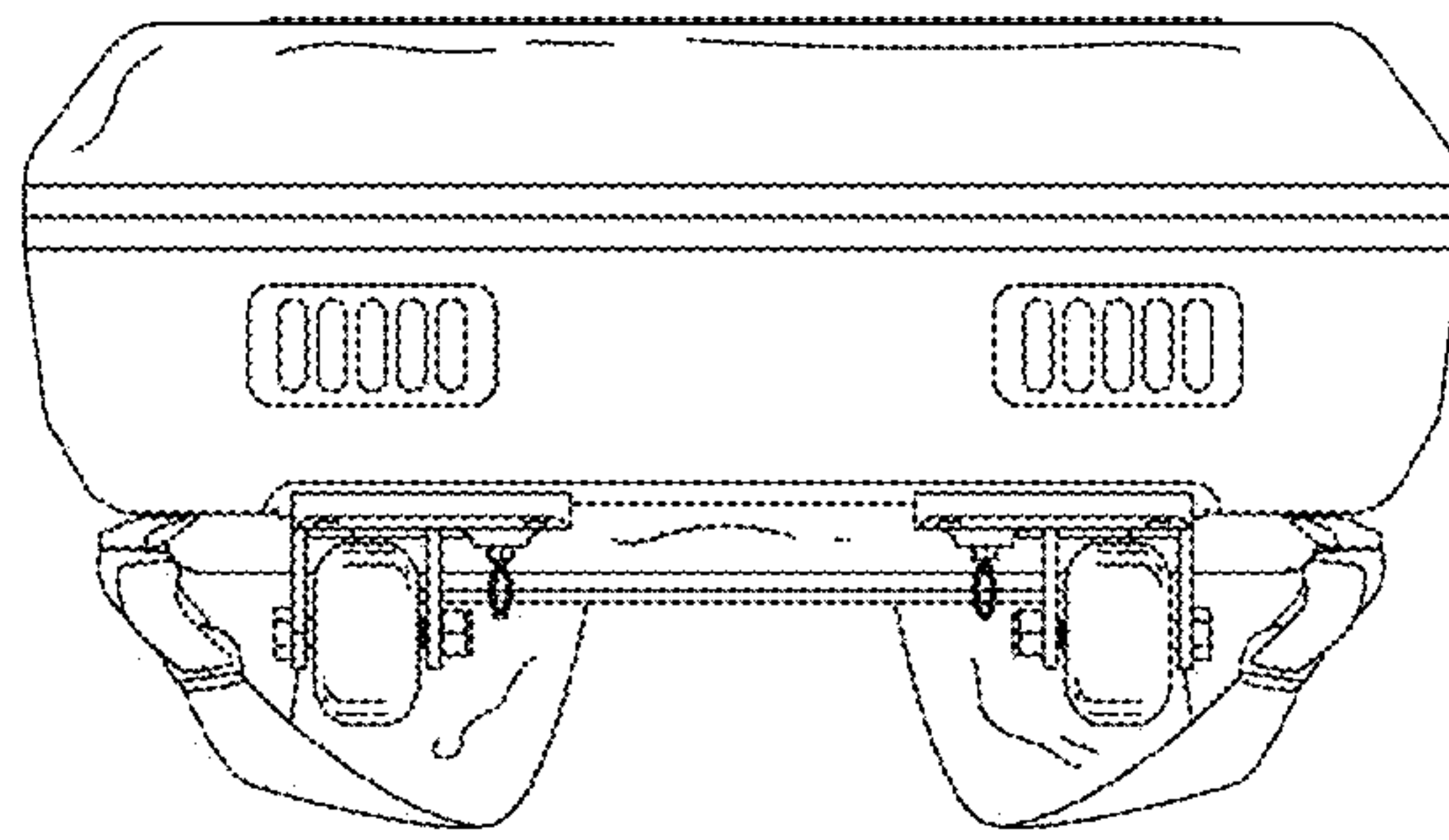


Figure 6

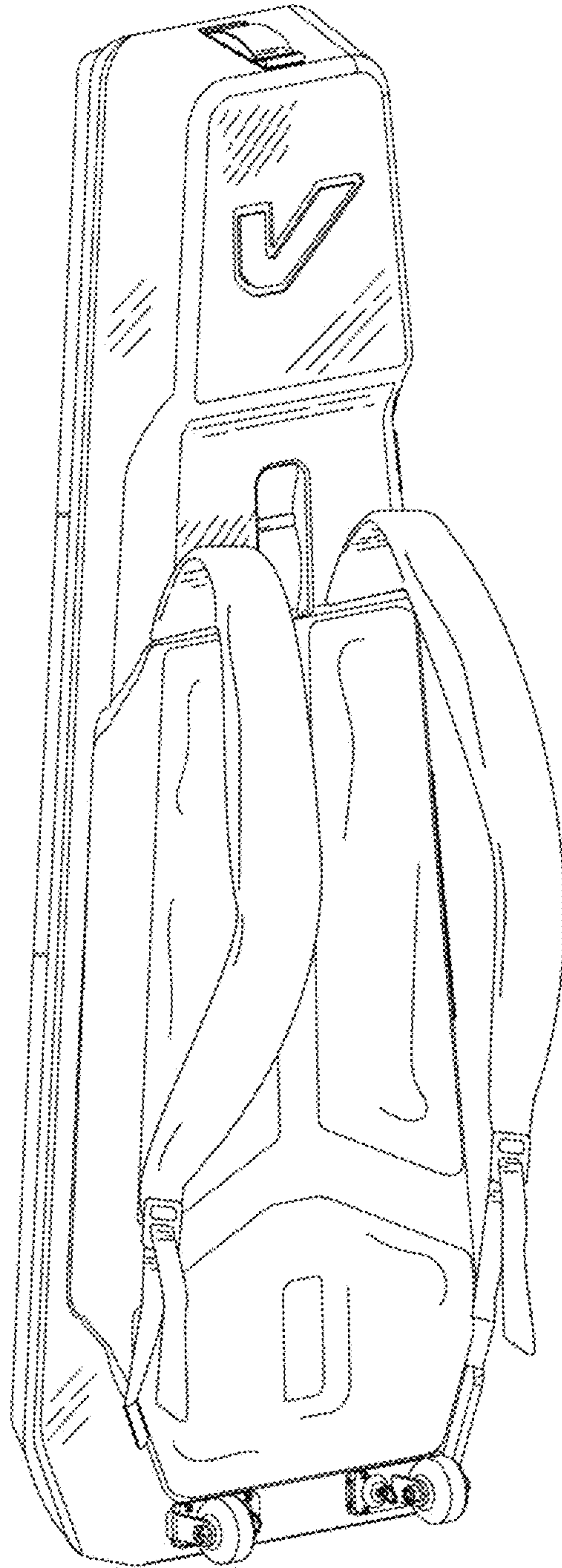


Figure 7

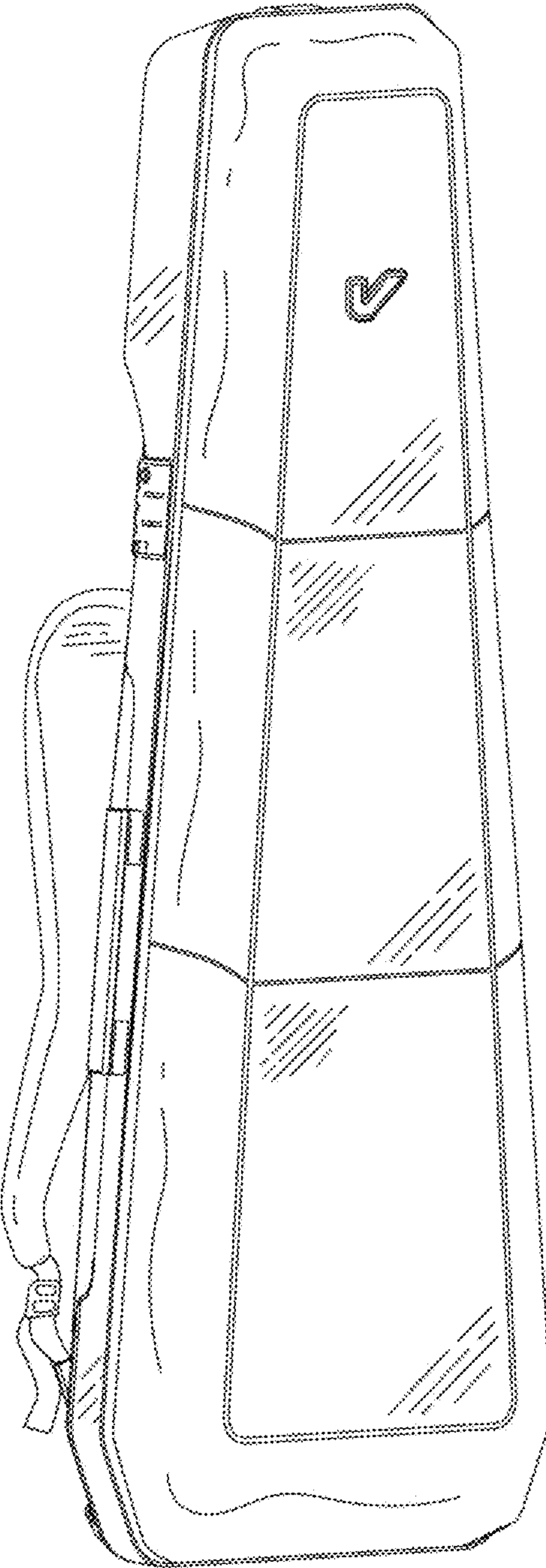


Figure 8