



US00D888408S

(12) **United States Design Patent**
Lee et al.

(10) **Patent No.: US D888,408 S**
(45) **Date of Patent: ** Jun. 30, 2020**

(54) **PROTECTIVE COVER SKIN FOR ELECTRONIC DEVICE**

FOREIGN PATENT DOCUMENTS

(71) Applicant: **elago CO. LTD**, Goyang-si, Gyeonggi-do (KR)

CN 304616205 5/2018
CN 304701574 6/2018

(Continued)

(72) Inventors: **Chan Woo Lee**, Goyang-si (KR);
Chong Min Kim, Seoul (KR)

OTHER PUBLICATIONS

(73) Assignee: **elago CO. LTD**, Goyang-si, Gyeonggi-Do (KR)

Amazon, "elago AirPods 2 Silicone Protective Case Designed for Apple AirPods 2 Wireless Charging Case [Black]", First on sale Apr. 4, 2019. (<https://www.amazon.com/elago-AirPods-Silicone-Case-Black/dp/B07QHGDNK1/>) (Year: 2019).*

(Continued)

(**) Term: **15 Years**

(21) Appl. No.: **29/686,083**

Primary Examiner — April Rivas

(22) Filed: **Apr. 2, 2019**

(74) *Attorney, Agent, or Firm* — Paratus Law Group, PLLC

(51) **LOC (12) Cl.** **03-01**

(57) **CLAIM**

(52) **U.S. Cl.**

The ornamental design for a protective cover skin for electronic device, as shown and described.

USPC **D3/201; D3/269; D3/294**

(58) **Field of Classification Search**

DESCRIPTION

USPC D3/201, 208, 212, 218, 274, 275, 294,
D3/302, 271.1, 273, 215, 269; D14/217,
D14/221, 223; D13/118

CPC A45C 13/002; A45C 2011/001; H04R
11/025

See application file for complete search history.

FIG. 1 is a front, top and right perspective view of protective cover skin for electronic device showing claimed design; FIG. 2 is a front view thereof; FIG. 3 is a back view thereof; FIG. 4 is a left side view thereof; FIG. 5 is a right side view thereof; FIG. 6 is a top view thereof; FIG. 7 is a bottom view thereof; FIG. 8 is a rear, bottom and right perspective view thereof; FIG. 9 is a cross-sectional view taken along line 9-9 shown in FIG. 2; and, FIG. 10 is a front, top and right perspective view thereof with a top portion open in use. The broken lines shown in FIG. 10 depict environment and form no part of the claimed design.

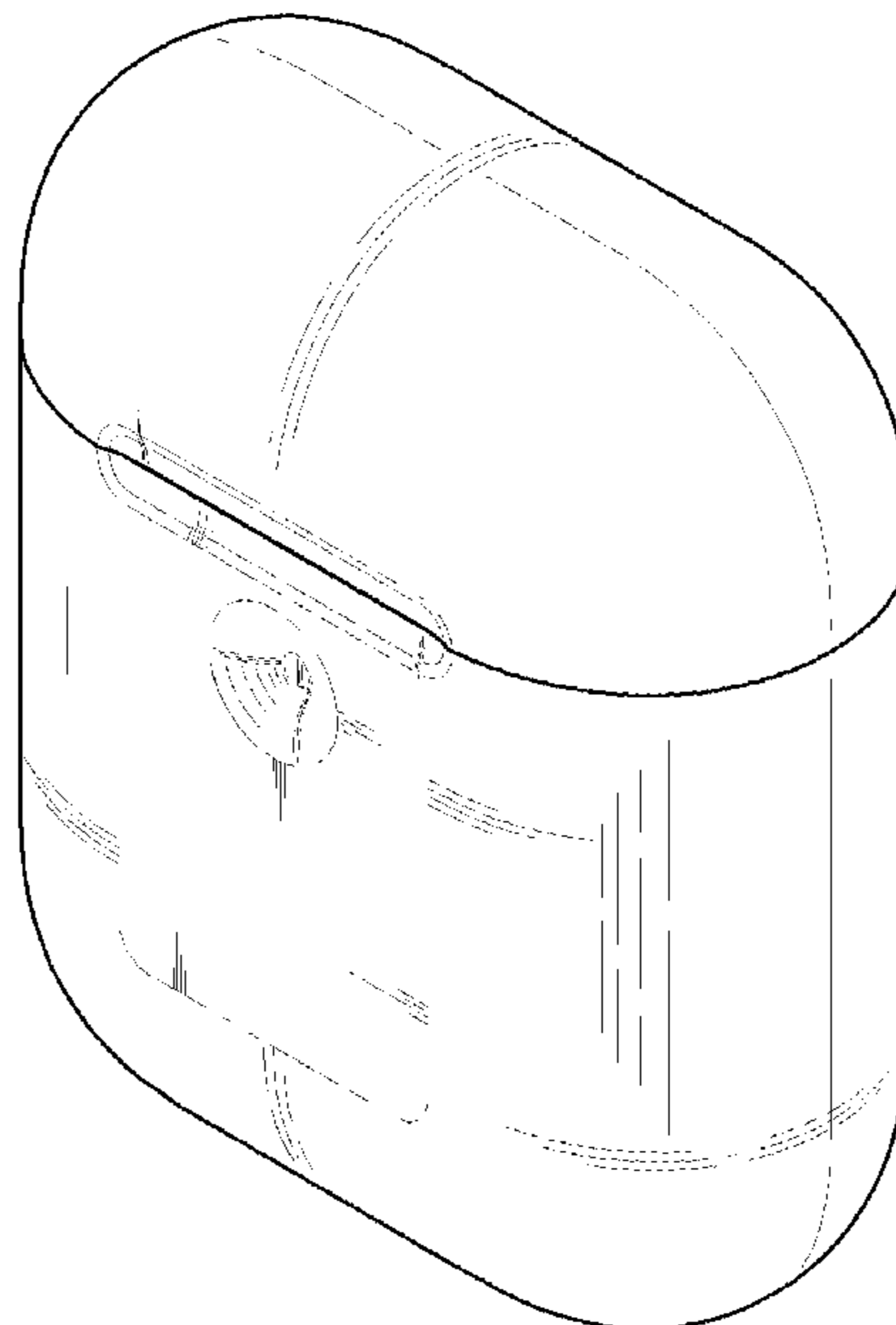
(56) **References Cited**

U.S. PATENT DOCUMENTS

D426,950 S * 6/2000 Conway D3/203.5
7,775,354 B2 8/2010 Latchford et al.
D672,642 S 12/2012 Supranowicz
D775,463 S 1/2017 Shieh
D806,388 S * 1/2018 Akana D3/294
D818,268 S * 5/2018 Akana D3/294
D826,152 S * 8/2018 Christiansen D13/108
D849,401 S * 5/2019 Akana D3/274

(Continued)

1 Claim, 9 Drawing Sheets



(56)

References Cited

U.S. PATENT DOCUMENTS

D868,453 S *	12/2019	Lee	D3/201
D872,468 S *	1/2020	Lee	D3/269
D872,724 S *	1/2020	Lee	D3/218
D878,754 S *	3/2020	Lee	D3/270
D881,572 S *	4/2020	Wang	D3/294
D882,259 S *	4/2020	Liu	D3/269
2012/0031786 A1	2/2012	Mish et al.		
2017/0095065 A1	4/2017	Colbert et al.		

FOREIGN PATENT DOCUMENTS

CN	304708016	7/2018
CN	304778115	8/2018
CN	304814243	9/2018
CN	304841049	10/2018
CN	304877424	11/2018
CN	304943054	12/2018

CN	304948858	12/2018
CN	304983202	1/2019
CN	304989087	1/2019
CN	304989088	1/2019
CN	304995211	1/2019
CN	304995216	1/2019
EM	003784321-0001	6/2017
EM	005831625-0001	12/2018
EM	006085924-0001	2/2019
EM	006262796-0001	3/2019
GB	6040802	8/2018

OTHER PUBLICATIONS

Amazon, "elago Skinny AirPods Case Designed for Apple AirPods 1 & 2 [Black]", First on sale Sep. 1, 2019. (<https://www.amazon.com/elago-Designed-Apple-AirPods-Cover/dp/B07XCKZ1BB/>) (Year: 2019).*

* cited by examiner

FIG. 1

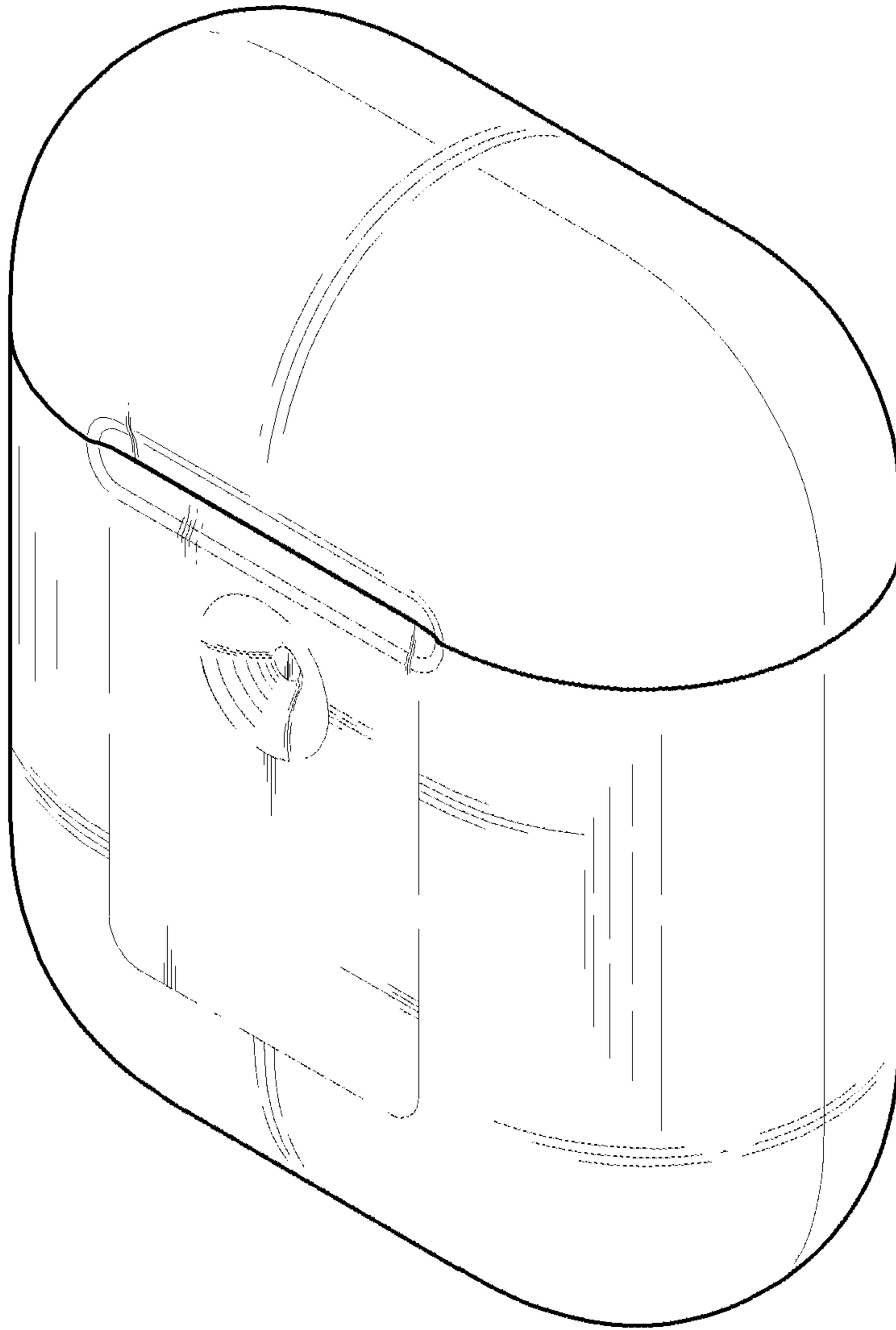


FIG. 2

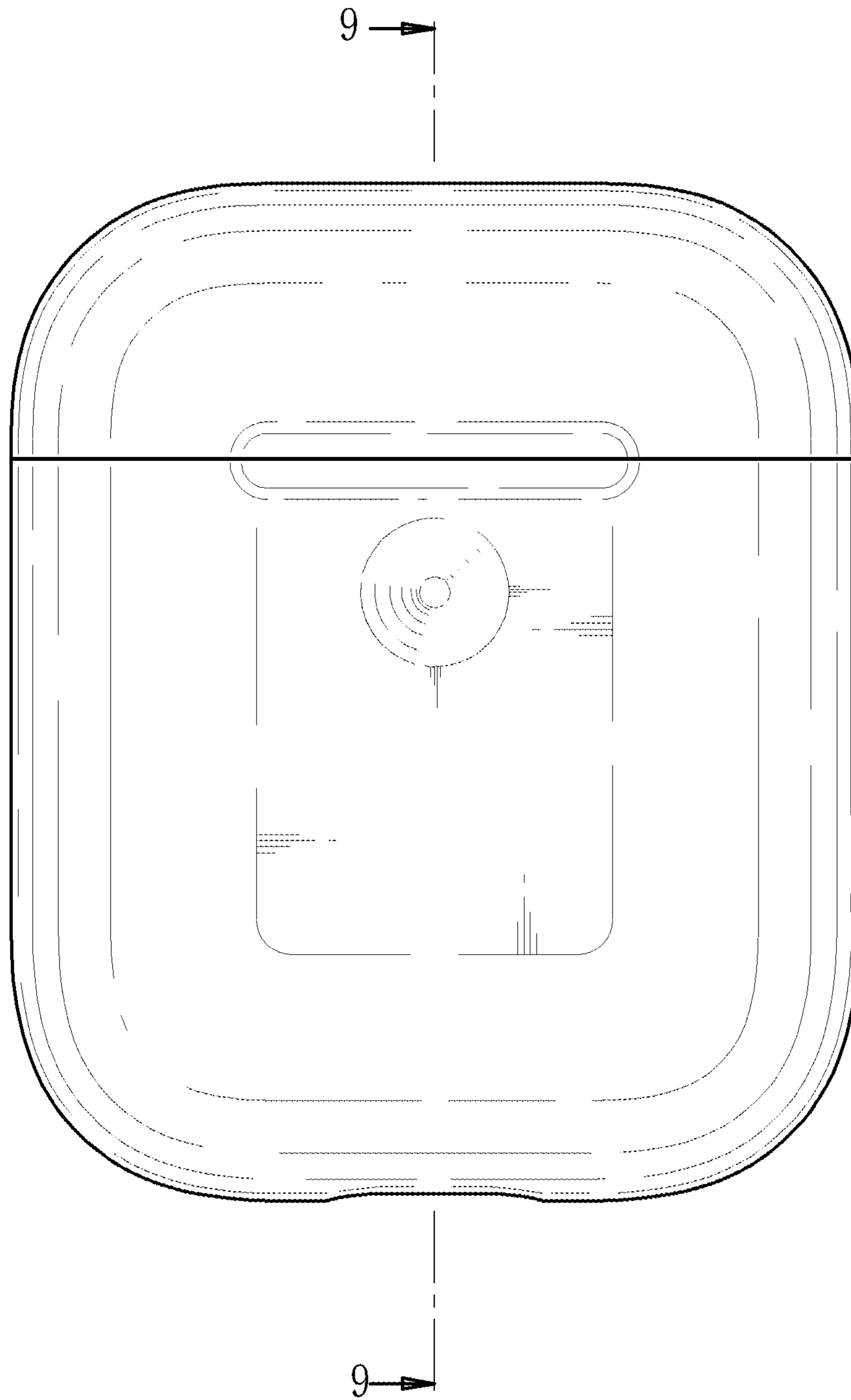


FIG. 3

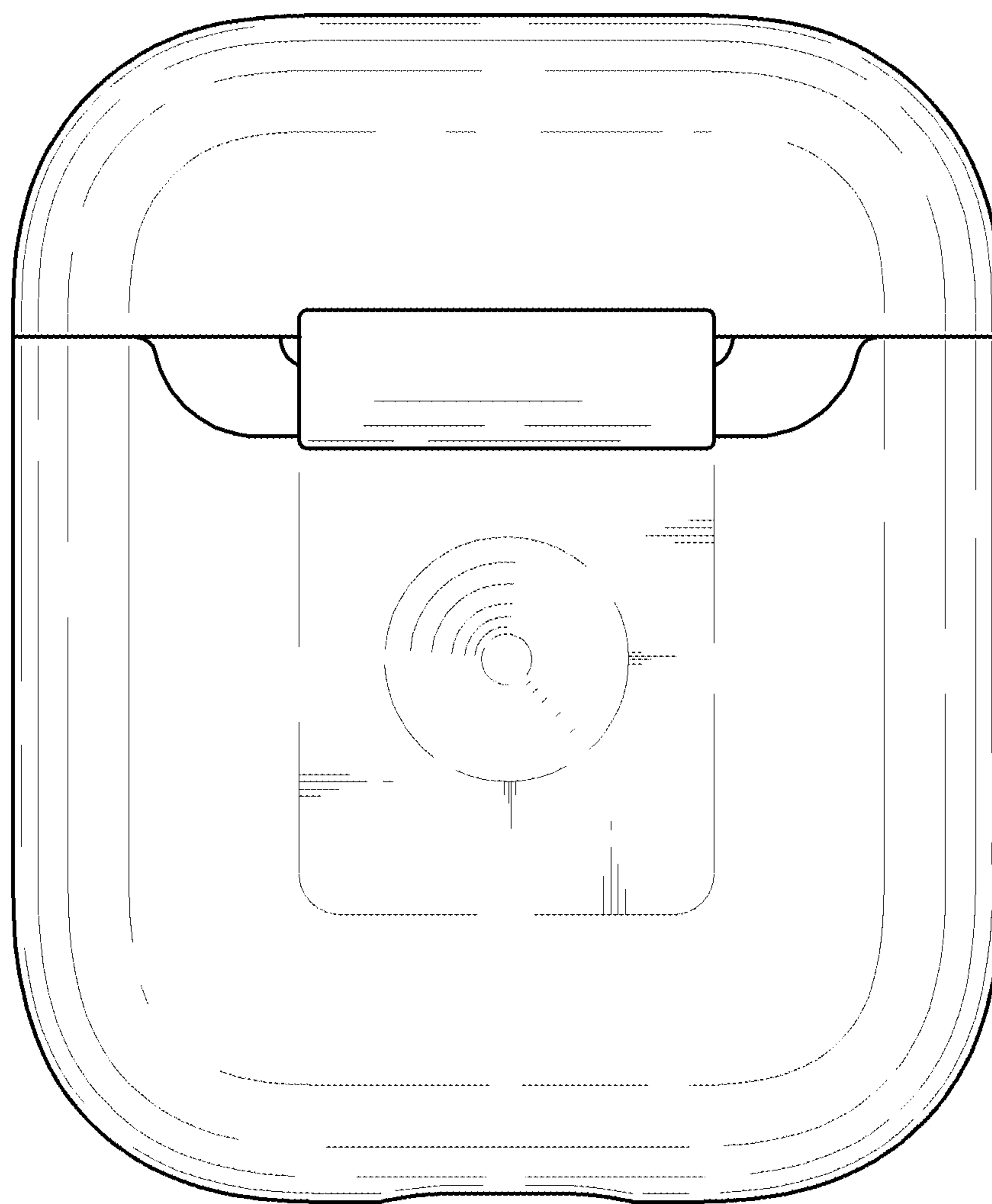


FIG. 4

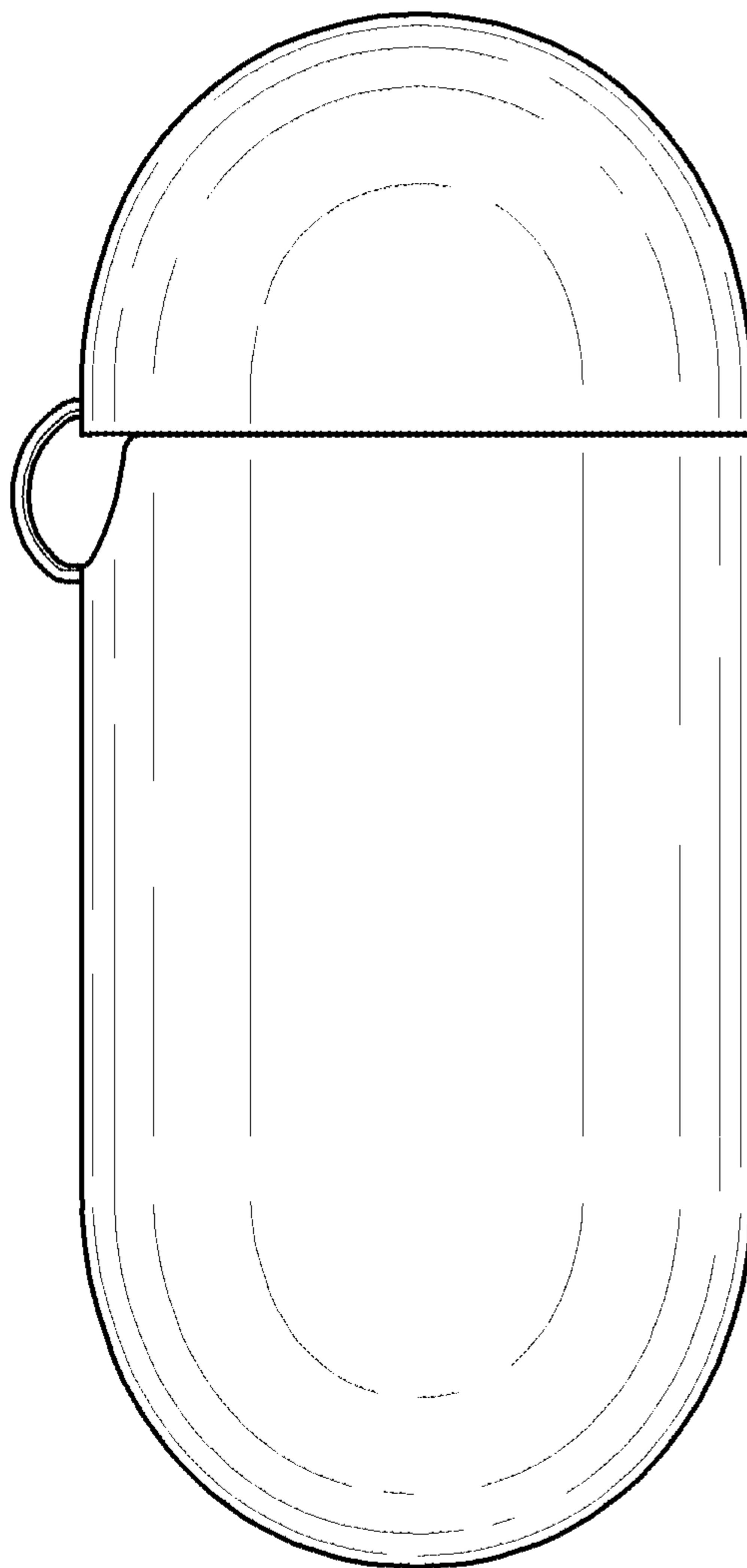


FIG. 5

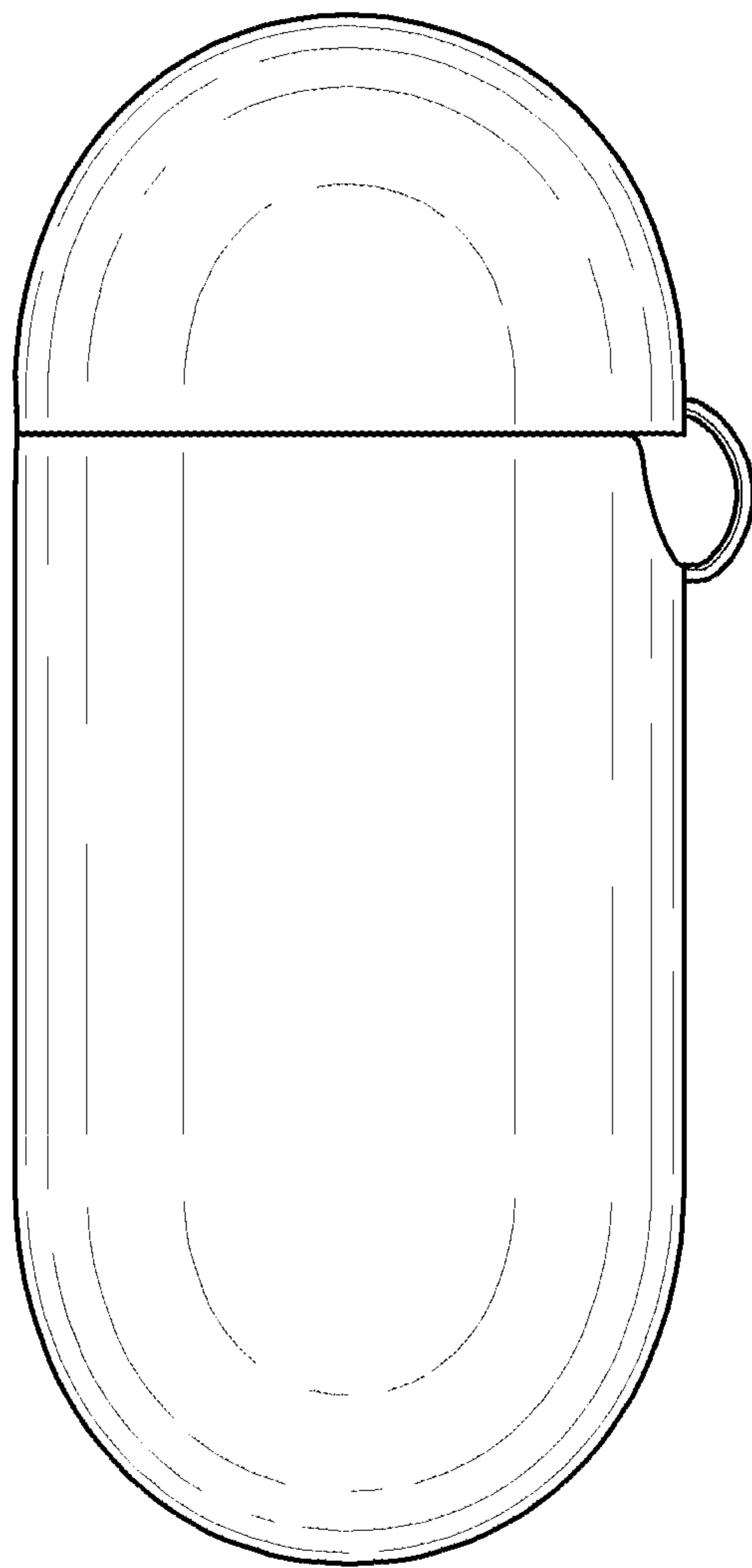


FIG. 6

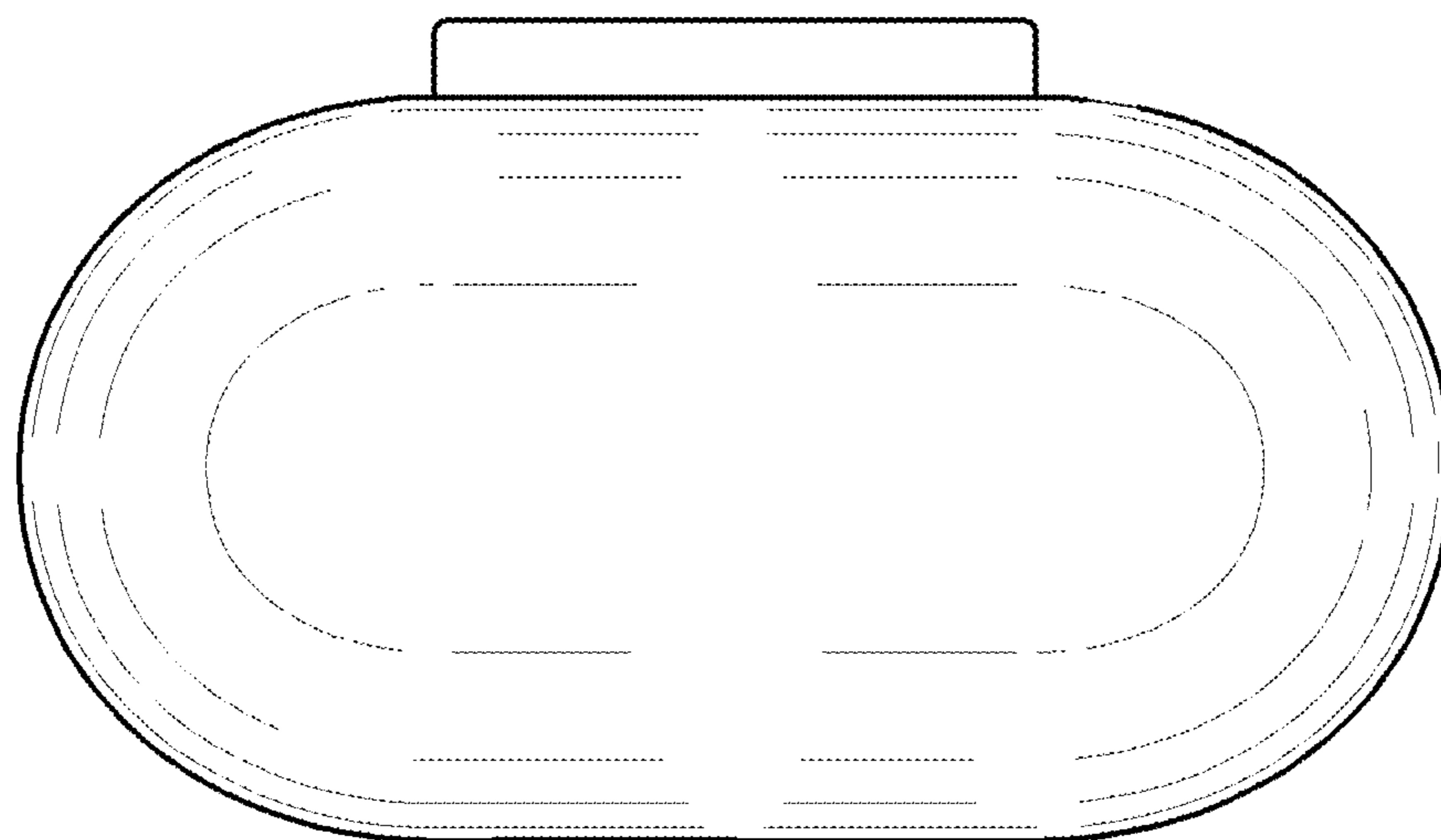


FIG. 7

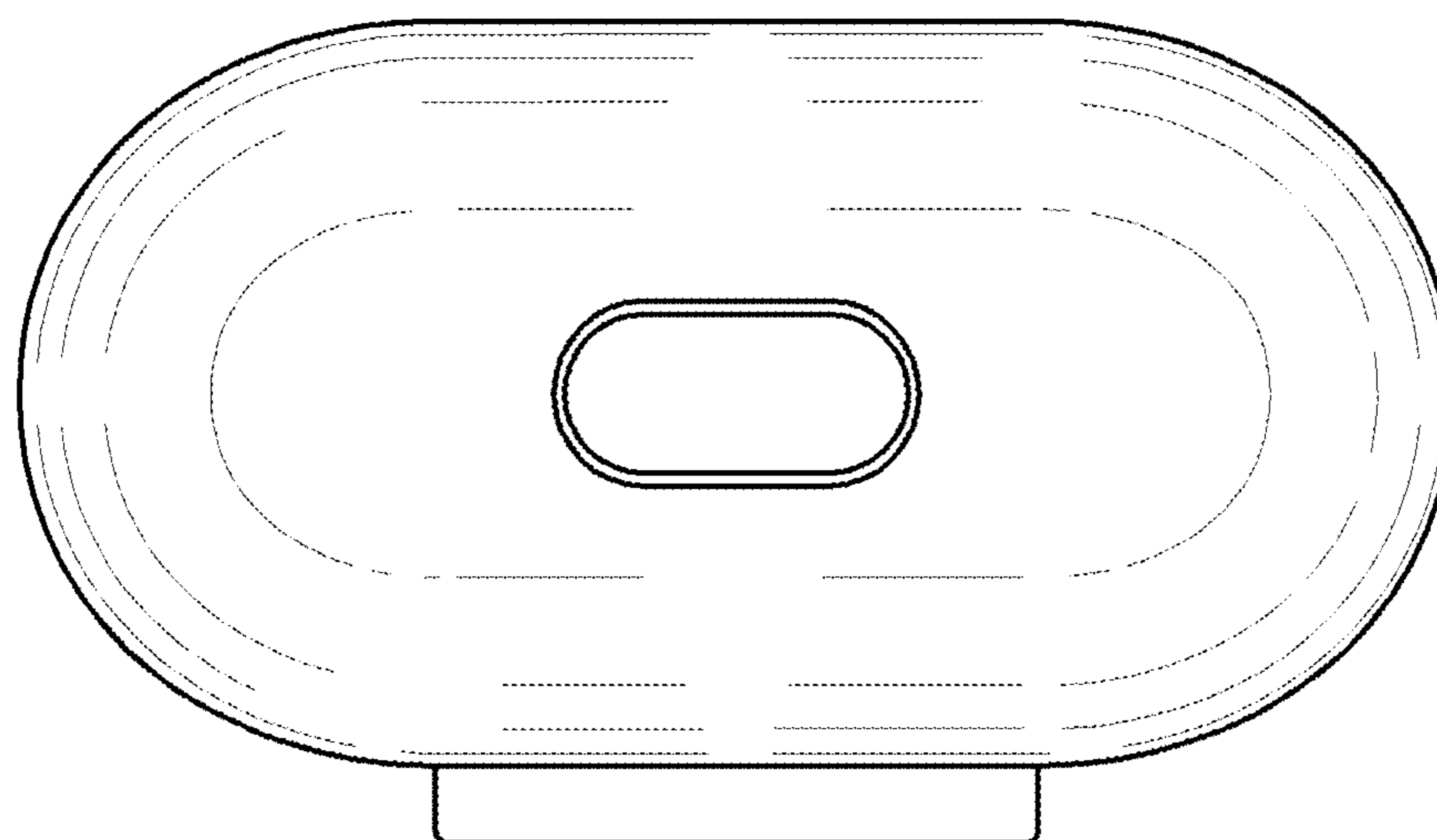


FIG. 8

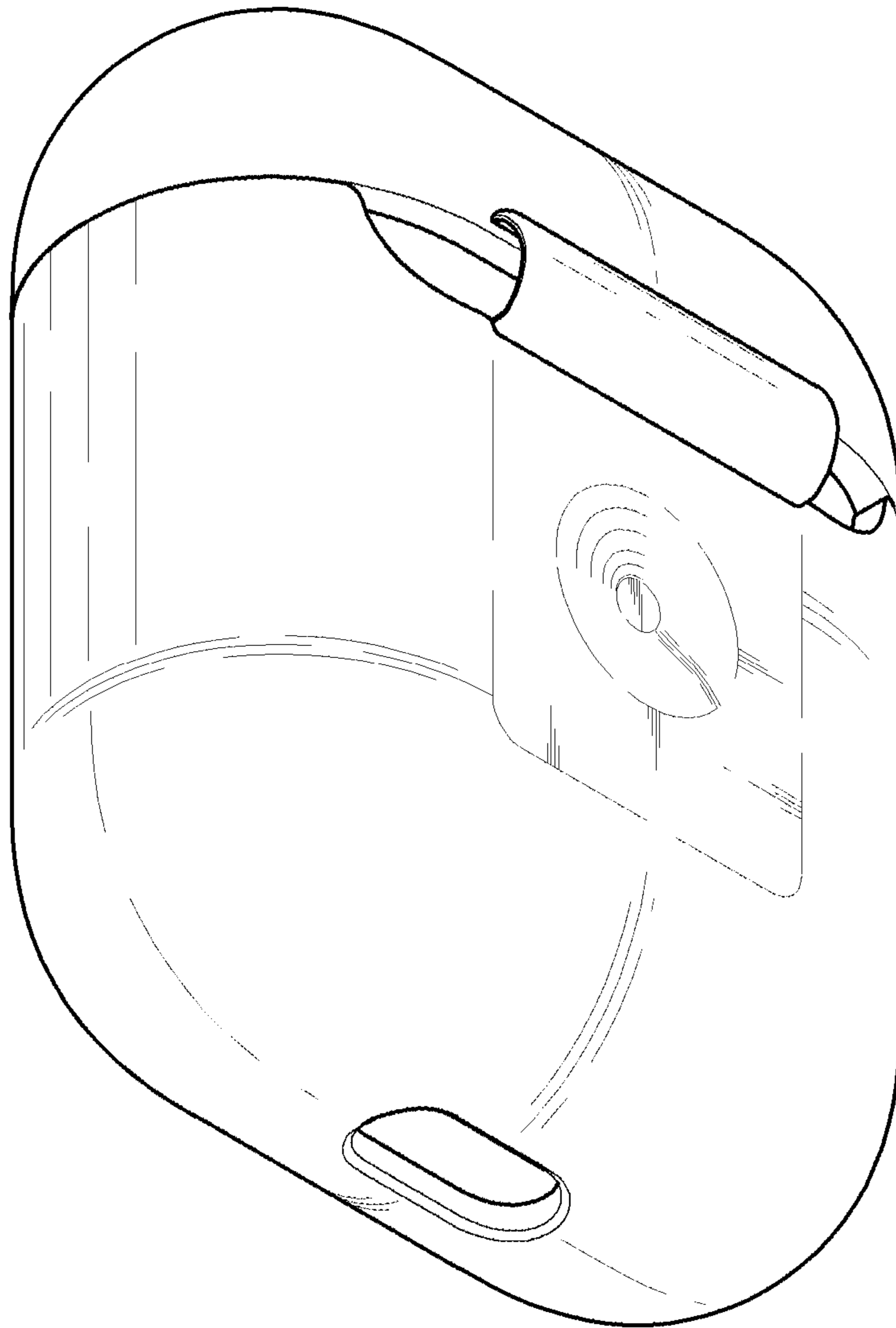


FIG. 9

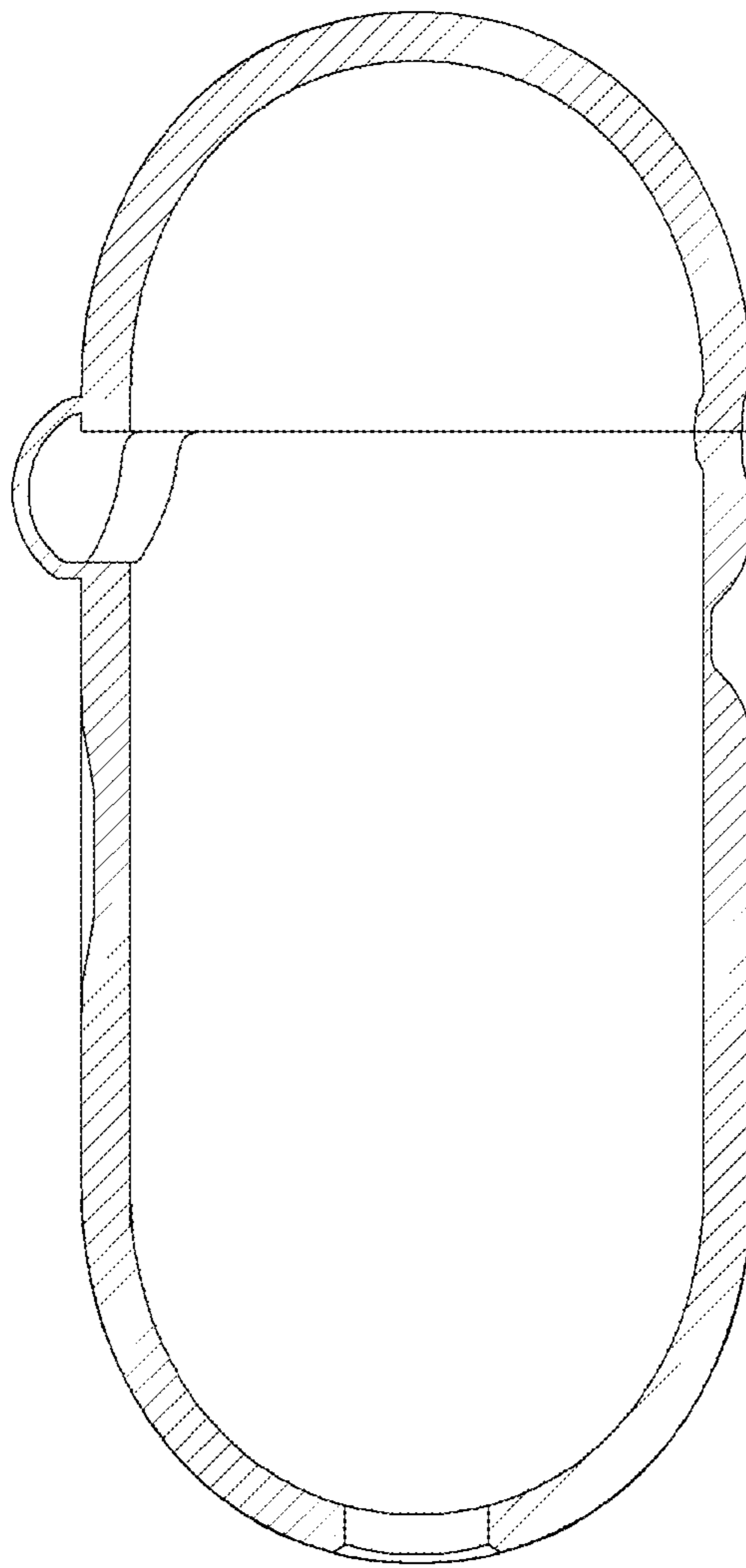


FIG. 10

