



US00D888405S

(12) **United States Design Patent**
Ruark

(10) **Patent No.:** **US D888,405 S**

(45) **Date of Patent:** **** Jun. 30, 2020**

- (54) **SHOE**
- (71) Applicant: **Converse Inc.**, Boston, MA (US)
- (72) Inventor: **Quince Ruark**, Boston, MA (US)
- (73) Assignee: **Converse Inc.**, Boston, MA (US)
- (**) Term: **15 Years**

D635,748 S *	4/2011	Katz	D2/902
D719,725 S *	12/2014	Katz	D2/902
D734,013 S *	7/2015	Ringholz	D2/969
D745,259 S	12/2015	Bell et al.		
D796,161 S *	9/2017	Ochipa	D2/903
D802,290 S	11/2017	Hatfield et al.		
D804,799 S *	12/2017	Petrenka	D2/969
D817,621 S *	5/2018	Madore	D2/969

- (21) Appl. No.: **29/658,319**
- (22) Filed: **Jul. 30, 2018**
- (51) **LOC (12) Cl.** **02-04**
- (52) **U.S. Cl.**
USPC **D2/973**
- (58) **Field of Classification Search**
USPC D2/896, 902, 906-908, 946, 969,
D2/972-974; D5/47, 49, 50, 53, 54, 56,
D5/60
CPC ... A43B 13/181; A43B 13/141; A43B 13/186;
A43B 13/188; A43B 23/00; A43B 23/02;
A43B 5/00; A43B 23/26; A43B 1/04;
A43B 11/14; A43B 7/00; A43B 3/12;
A43B 3/00; A43B 11/004
See application file for complete search history.

- (56) **References Cited**
U.S. PATENT DOCUMENTS
D268,710 S * 4/1983 Anderie D2/943
D272,771 S * 2/1984 Muller Feigelstock D2/906
D304,128 S * 10/1989 Kolman D2/969
D492,098 S * 6/2004 Magro D2/907
D499,244 S * 12/2004 Dombrow D2/972
D538,517 S * 3/2007 Della Valle D2/902
D540,519 S * 4/2007 Hobson D2/969
D556,434 S * 12/2007 Walton D2/969
D561,448 S * 2/2008 Hickman D2/969
D561,449 S * 2/2008 James D2/969
D586,546 S * 2/2009 Schoenborn D2/969

OTHER PUBLICATIONS

Converse Unveils the All Star Modern Sneaker Inspired by the 1920 All Star [online], [retrieved Jun. 27, 2018] Retrieved from Nike.com [Internet] <URL: <https://news.nike.com/news/converse-unveils-the-all-star-modern-sneaker-inspired-by-the-1920-all-star>>; 37 color sheets, Dated Jun. 6, 2016.

(Continued)

Primary Examiner — Dominic V Simone
(74) *Attorney, Agent, or Firm* — Banner & Witcoff, Ltd.

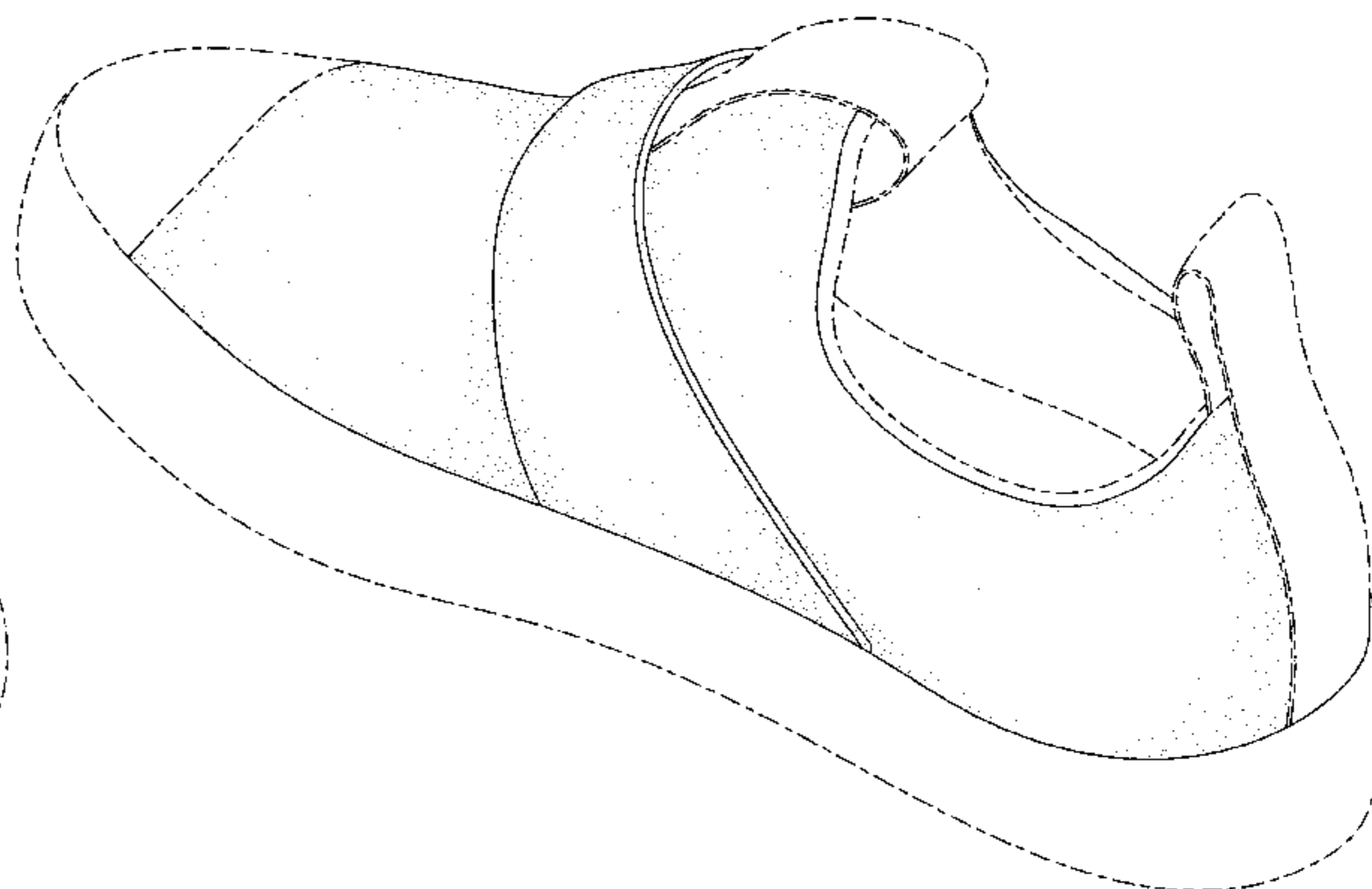
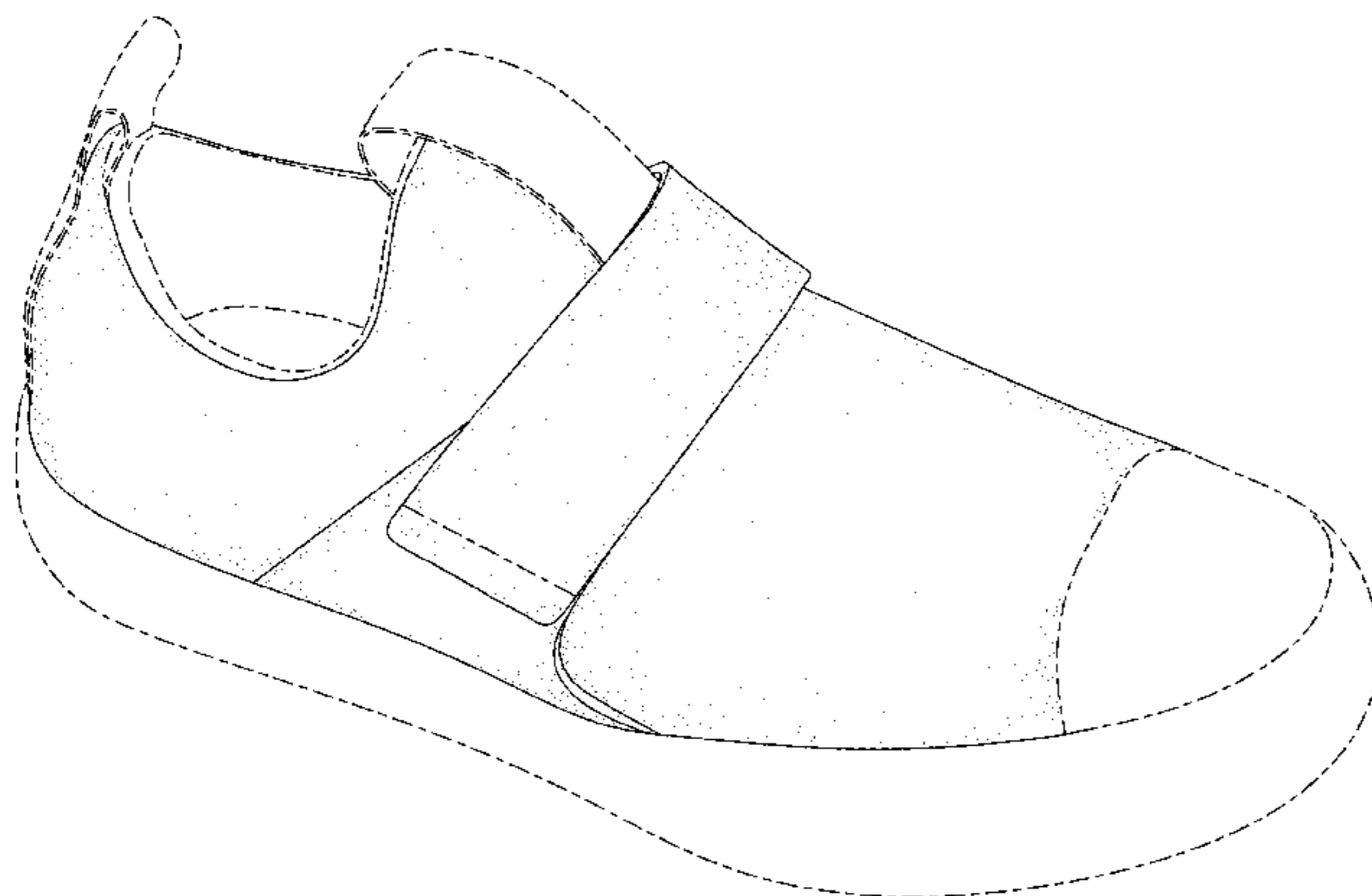
(57) **CLAIM**

The ornamental design for a shoe, as shown and described.

DESCRIPTION

FIG. 1 is a front perspective view of a shoe showing my new design;
FIG. 2 is a side view thereof;
FIG. 3 is a rear view thereof;
FIG. 4 is a rear perspective view thereof;
FIG. 5 is an opposite side view thereof; and,
FIG. 6 is a front view thereof.
The broken lines immediately adjacent to the shaded area define the bounds of the claimed design and form no part thereof. The broken line within the shaded area represents a feature that forms no part of the claimed design. The broken lines depicting the remainder of the shoe show features that form no part of the claimed design.

1 Claim, 6 Drawing Sheets



(56)

References Cited

OTHER PUBLICATIONS

Converse Unveils the Chuck Taylor All Star '70S "Vintage" Collection [online], [retrieved Jun. 27, 2018] Retrieved from Hypebeast.com [Internet] <URL: <https://hypebeast.com/2018/1/converse-chuck-taylor-all-star-70s-vintage-collection>>; 6 color sheets, Dated Jan. 1, 2018.

* cited by examiner

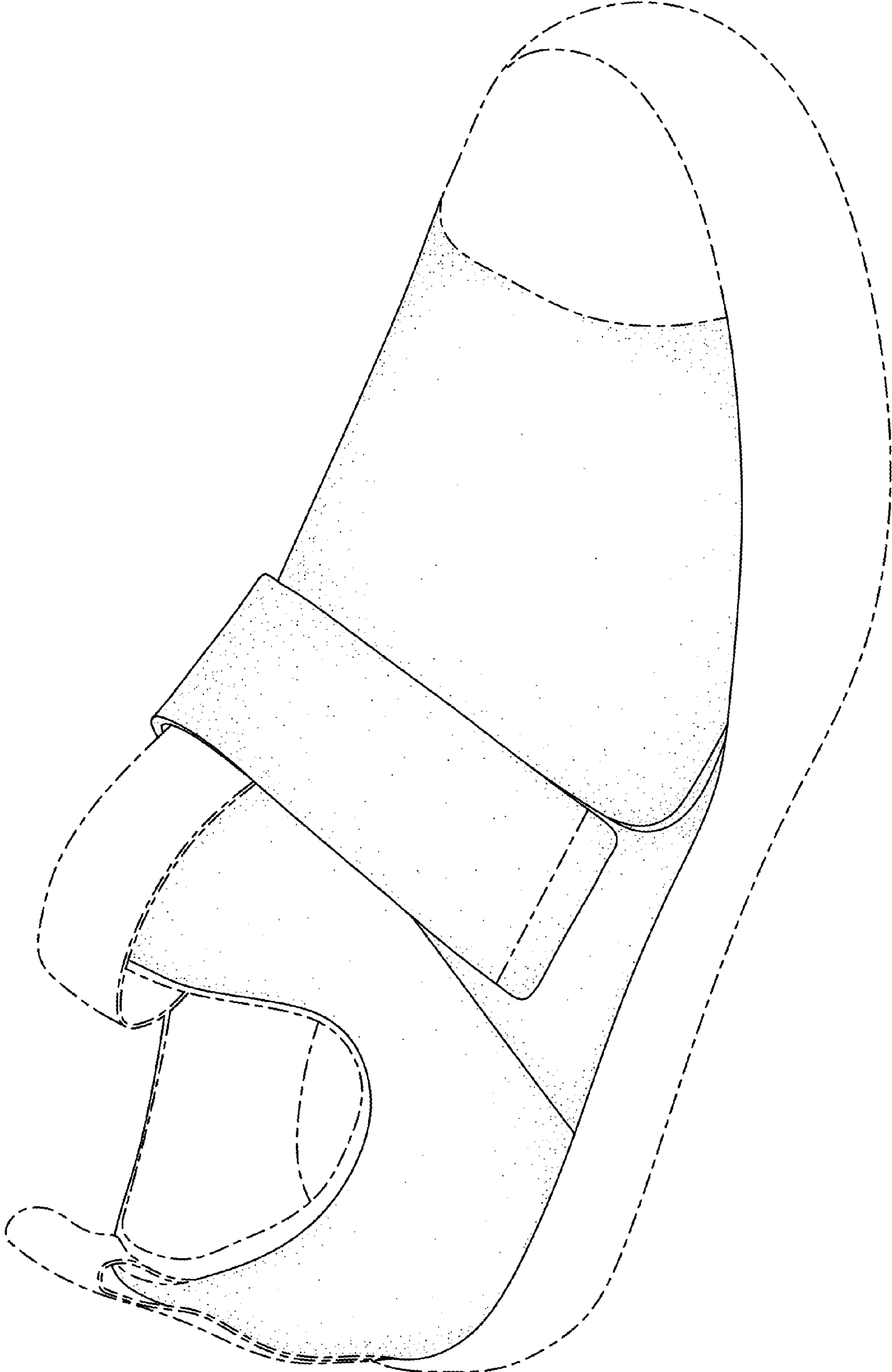


FIG. 1

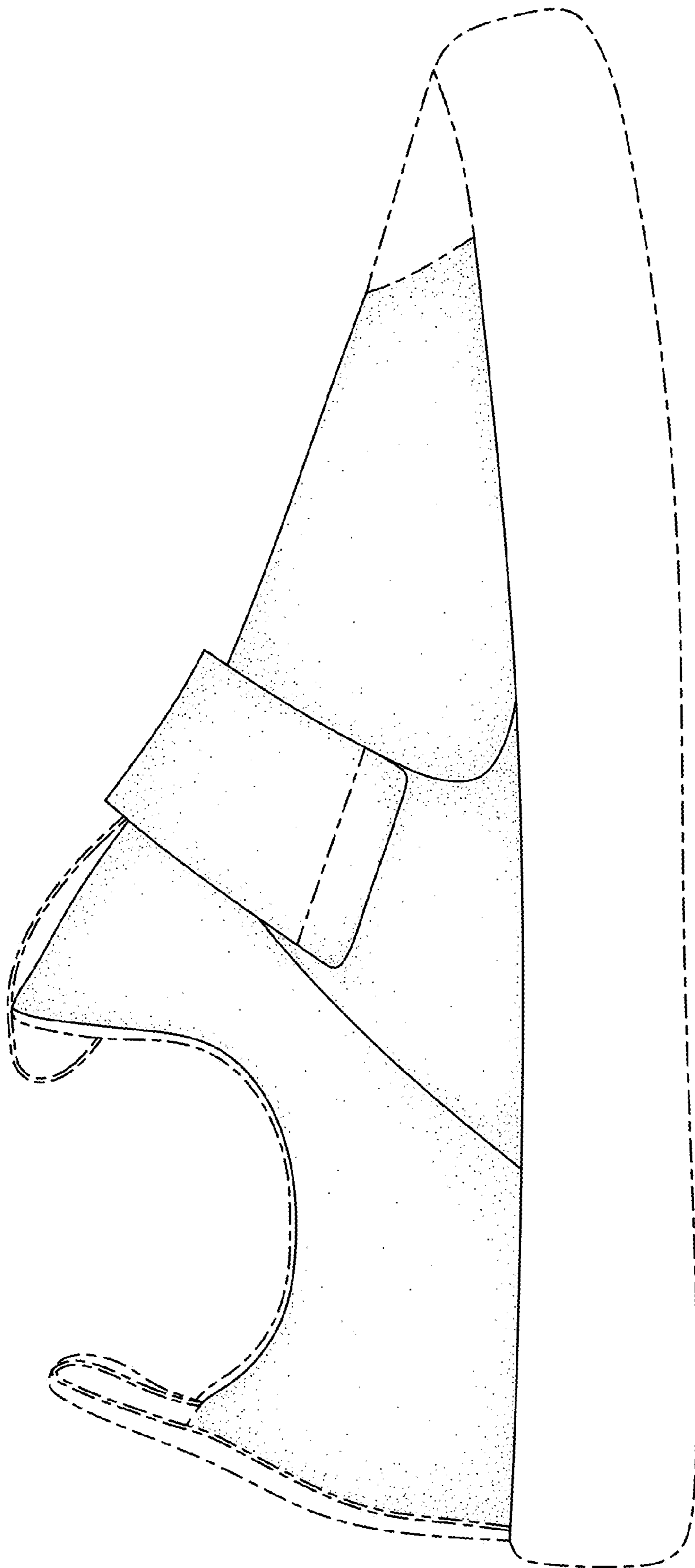


FIG. 2

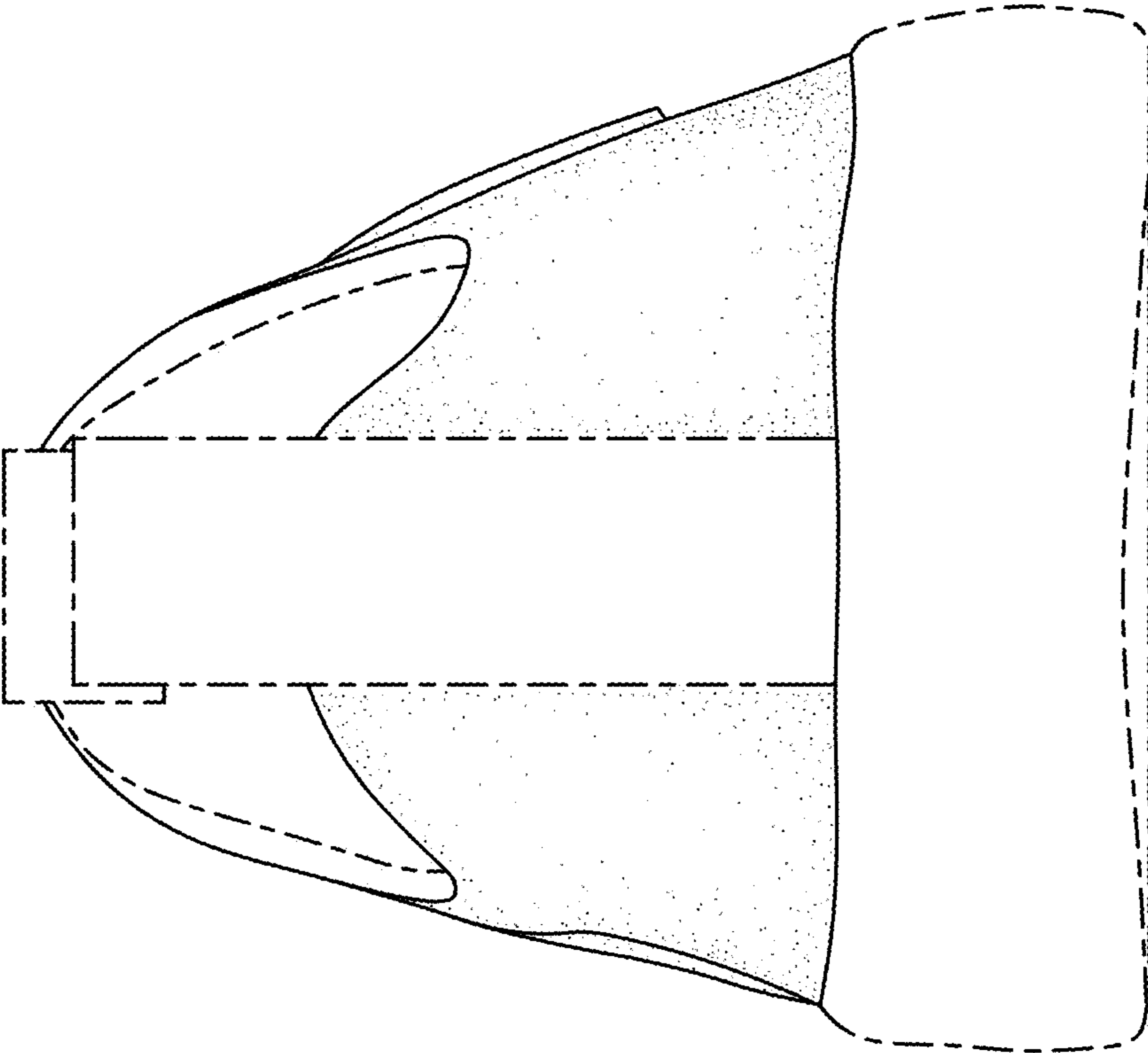


FIG. 3

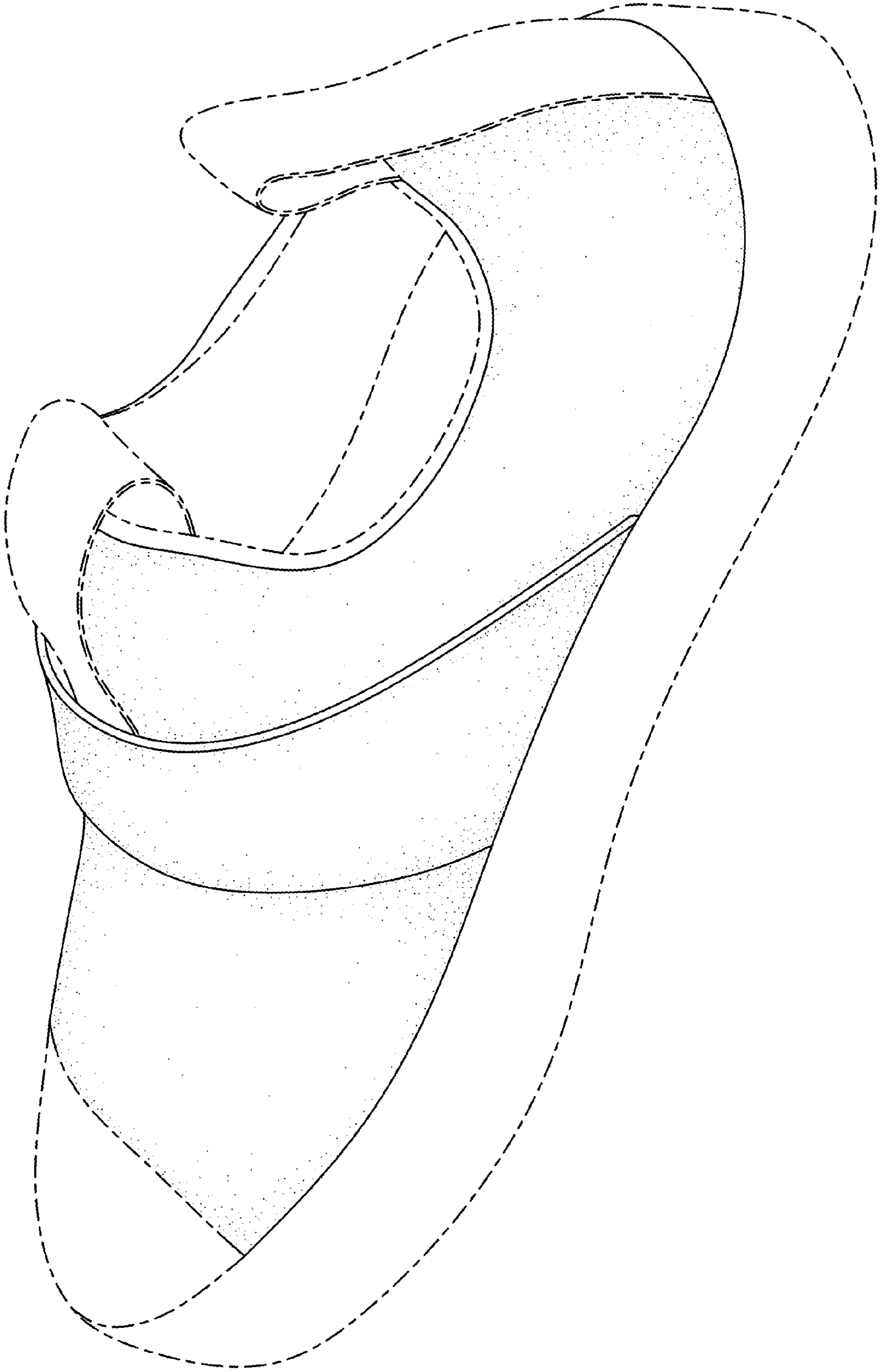


FIG. 4

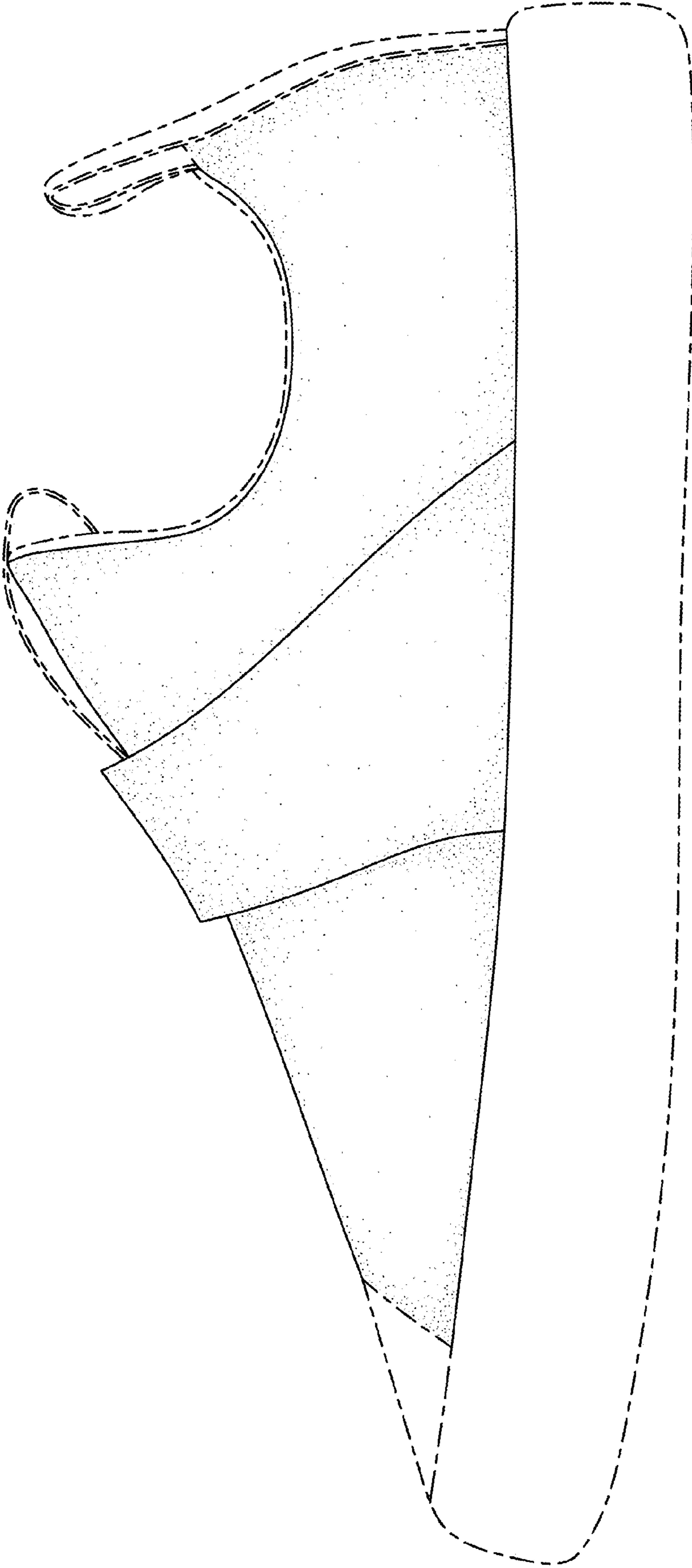


FIG. 5

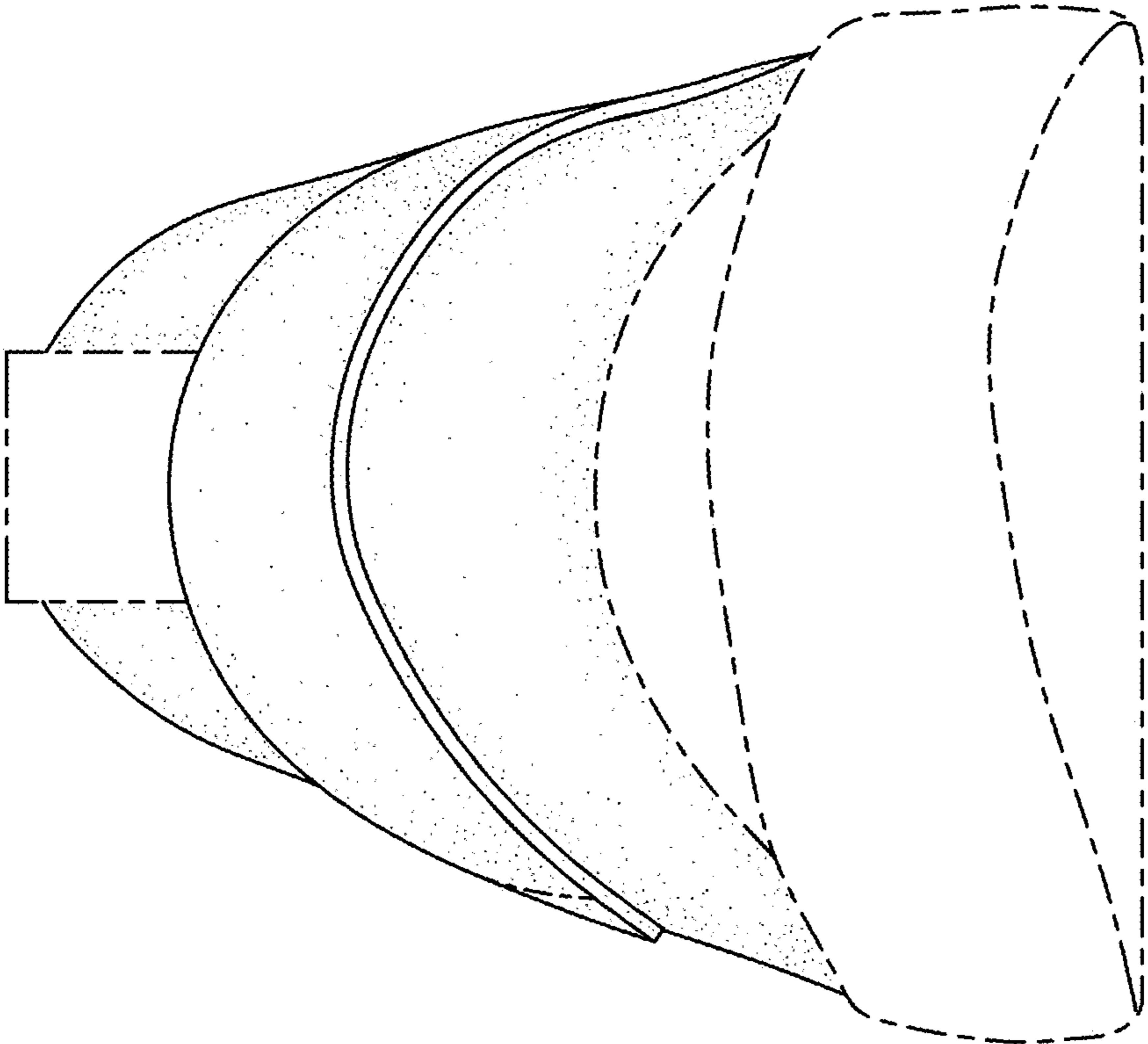


FIG. 6