



US00D888379S

(12) **United States Design Patent**  
**Janek Marquez**

(10) **Patent No.:** **US D888,379 S**  
(45) **Date of Patent:** **\*\* Jun. 30, 2020**

(54) **EXERCISE BOOT**

FOREIGN PATENT DOCUMENTS

(71) Applicant: **Glideforce Fitness, LLC**, North Miami Beach, FL (US)

GB 1055755 \* 7/1989  
KR 300479589.0001 \* 6/2008

(72) Inventor: **Tania Isis Janek Marquez**, North Miami Beach, FL (US)

OTHER PUBLICATIONS

(73) Assignee: **GLIDEFORCE FITNESS, LLC**, North Miami, FL (US)

Fit Boots posted by Tania Janek posted date unknown, © GlideForce, [online], [site visited Dec. 6, 2019]. Available from Internet, <https://www.glideforcefitness.com/product-page/glideforce-weightedgliding-boots> (Year: 2019).\*

(\*\*) Term: **15 Years**

Rain Shoe Cover posted by VXAR posted date Dec. 13, 2017, © Amazon, [online], [site visited Dec. 6, 2019]. Available from Internet, <https://www.amazon.com/dp/B0788KY5BG> (Year: 2017).\*

(21) Appl. No.: **29/634,992**

(22) Filed: **Jan. 26, 2018**

\* cited by examiner

(51) **LOC (12) Cl.** ..... **02-04**

*Primary Examiner* — Cynthia Ramirez

(52) **U.S. Cl.**

*Assistant Examiner* — Laura H Yu

USPC ..... **D2/902**

(58) **Field of Classification Search**

(74) *Attorney, Agent, or Firm* — Polson Intellectual Property Law, PC; Margaret Polson; Christopher Sylvain

USPC ..... D2/902, 903, 904, 905, 909, 910, 911, D2/914, 970; D24/206, 207, 192; D21/685

CPC ..... A43B 7/20; A61F 5/0127; A61F 5/0195  
See application file for complete search history.

(57) **CLAIM**

The ornamental design for an exercise boot, as shown and described.

(56) **References Cited**

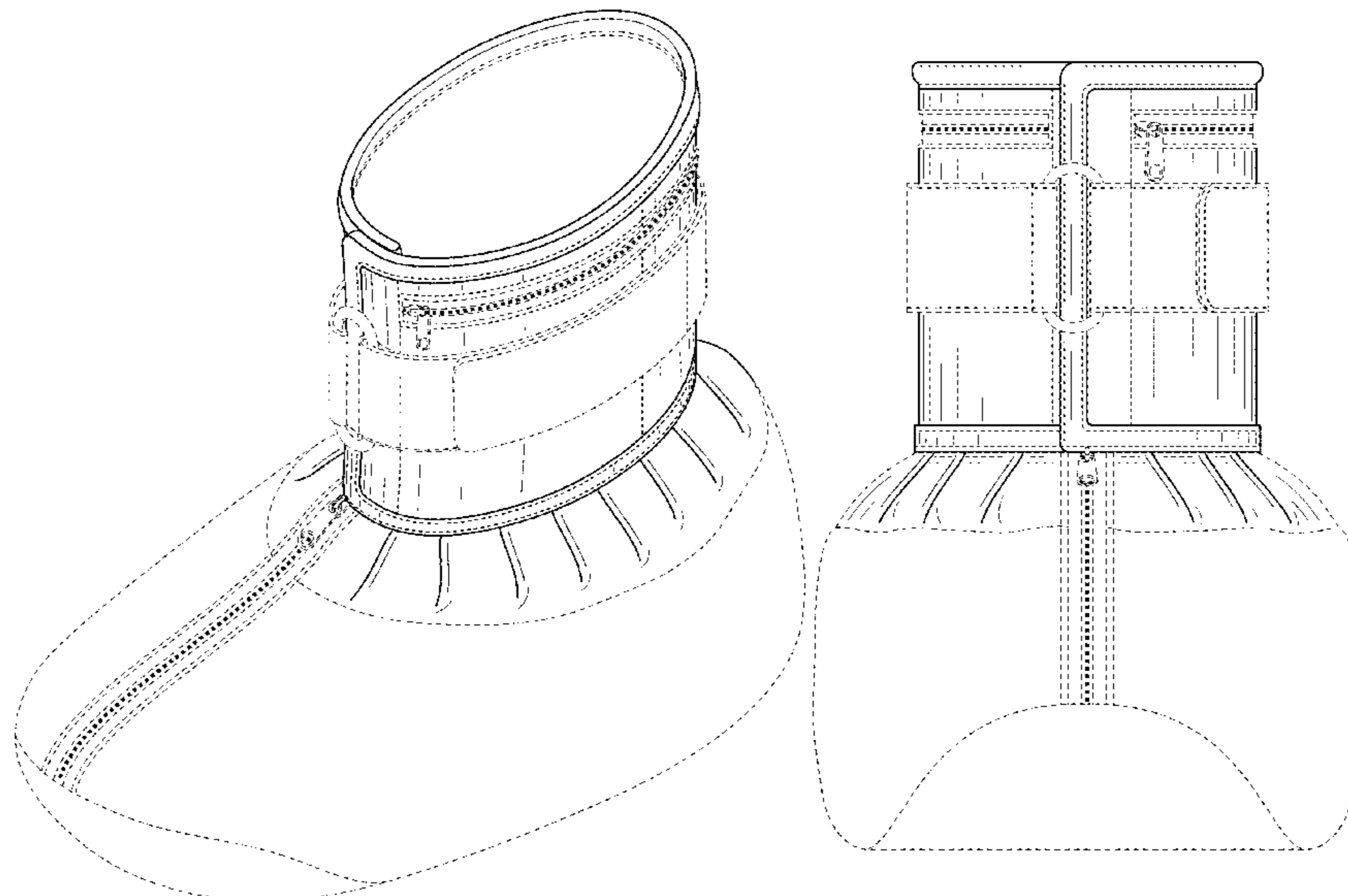
U.S. PATENT DOCUMENTS

**DESCRIPTION**

2,229,575	A *	1/1941	Kaplan	.....	A61F 2/78 128/882
4,083,124	A *	4/1978	Michalak	.....	A43B 3/16 36/7.1 R
D323,239	S *	1/1992	Rooke	.....	D2/911
5,394,624	A *	3/1995	Siepsner	.....	A43B 3/163 36/84
D412,581	S *	8/1999	Brennan	.....	D24/192
D433,758	S *	11/2000	Allen	.....	D2/905
D493,027	S *	7/2004	Heil	.....	D2/896
D553,251	S *	10/2007	Watts	.....	D24/192
7,908,771	B2 *	3/2011	Foxen	.....	A43B 7/20 36/89
D696,409	S *	12/2013	Best	.....	D24/192

FIG. 1 is a front perspective view of my new design for an exercise boot.  
FIG. 2 is a left side elevation view of FIG. 1.  
FIG. 3 is a right side elevation view of FIG. 1.  
FIG. 4 is a front side elevation view of FIG. 1.  
FIG. 5 is a back side elevation view of FIG. 1.  
FIG. 6 is a top plan view of FIG. 1; and,  
FIG. 7 is a bottom plan view of FIG. 1.  
The broken lines in the figures show portions of the exercise boot which form no part of the claimed design.

**1 Claim, 6 Drawing Sheets**



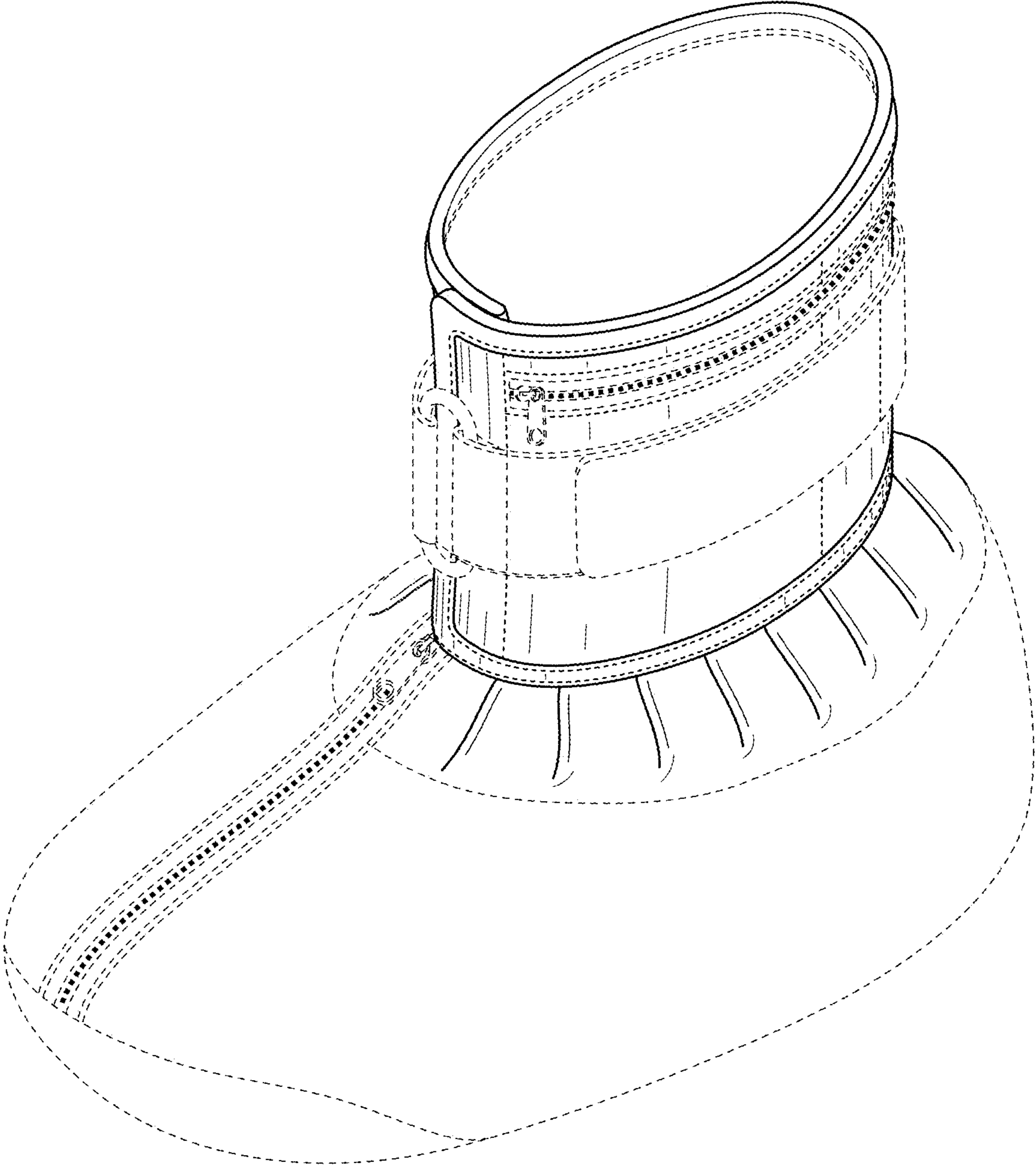


FIG. 1

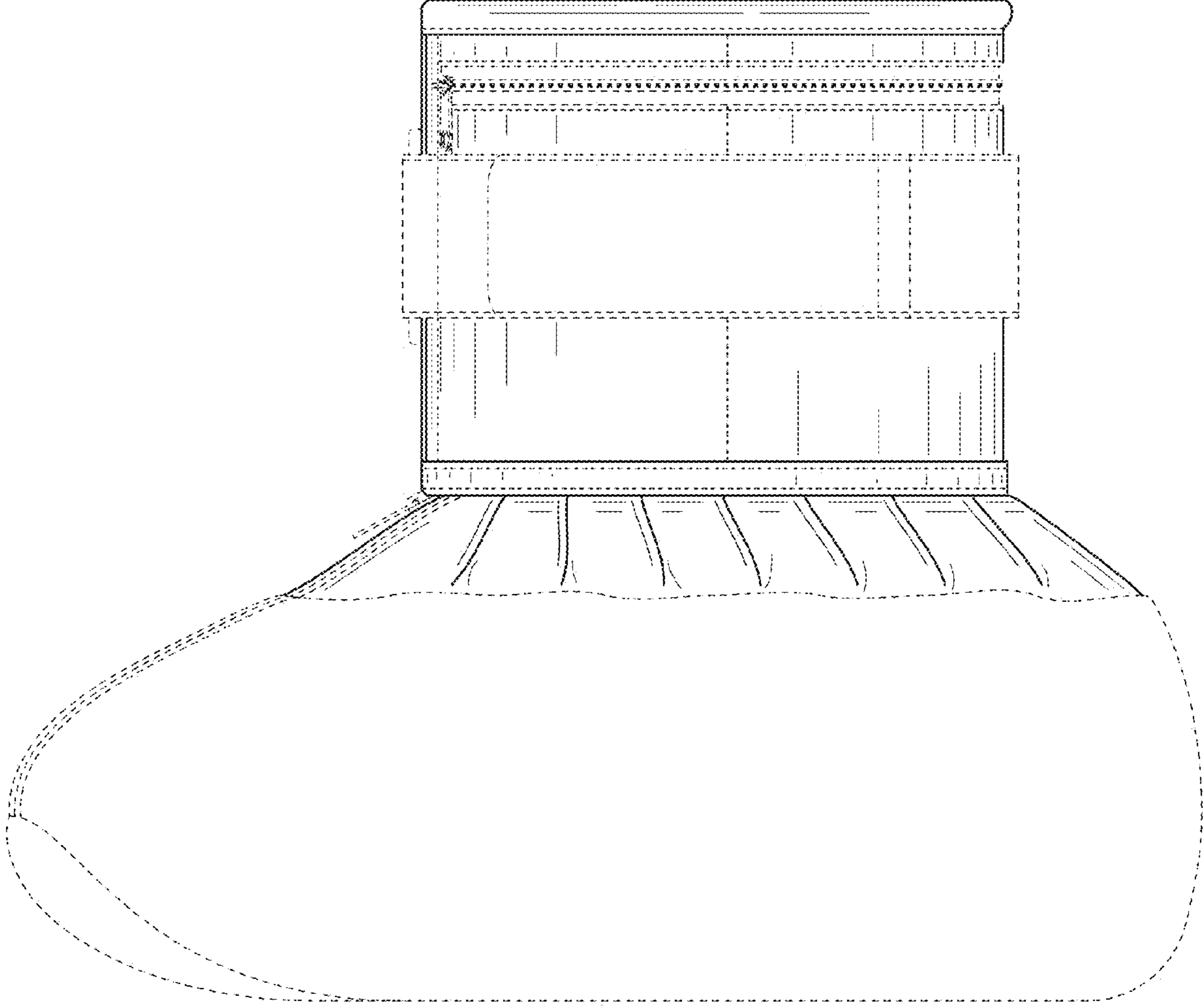


FIG. 2

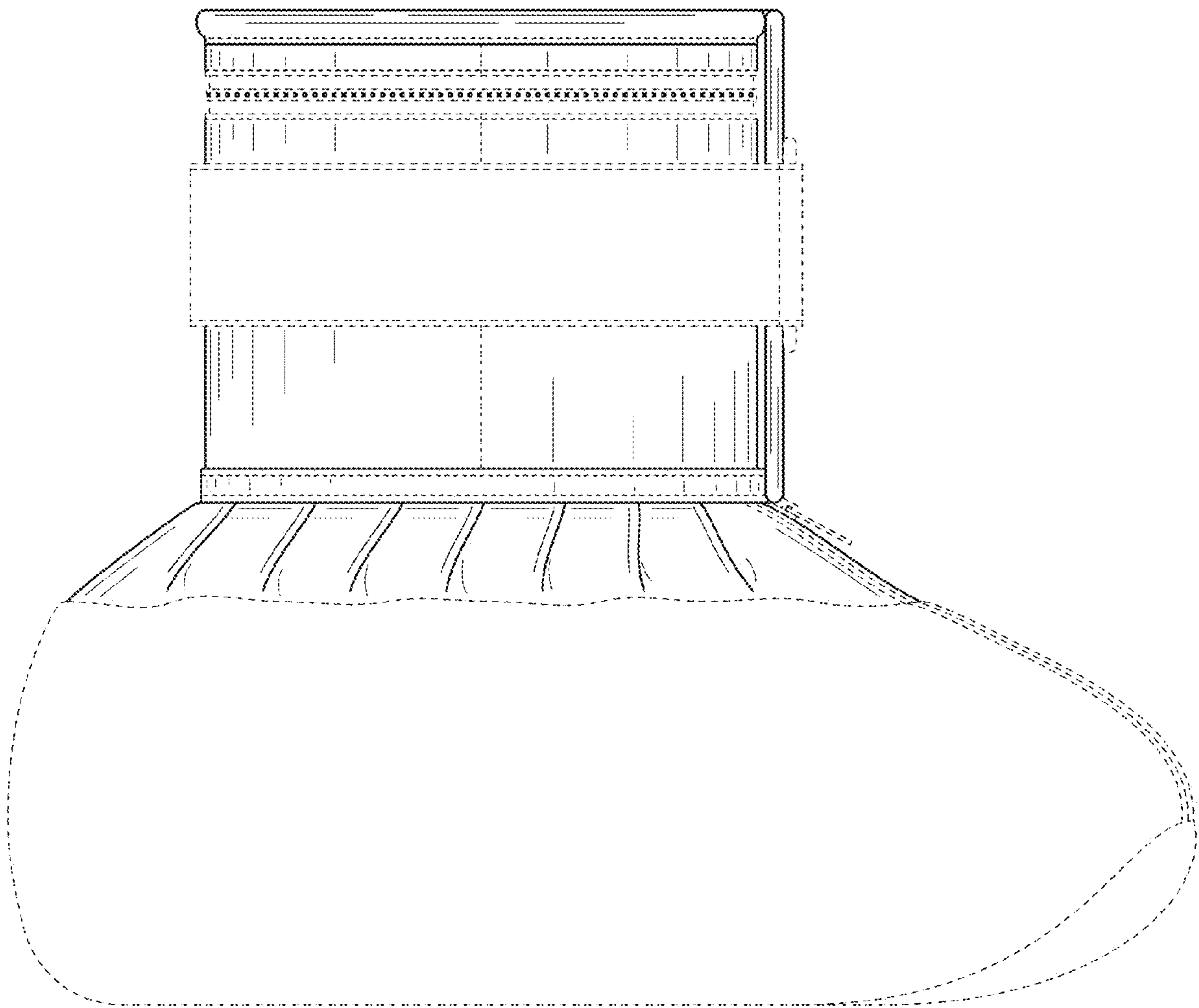


FIG. 3

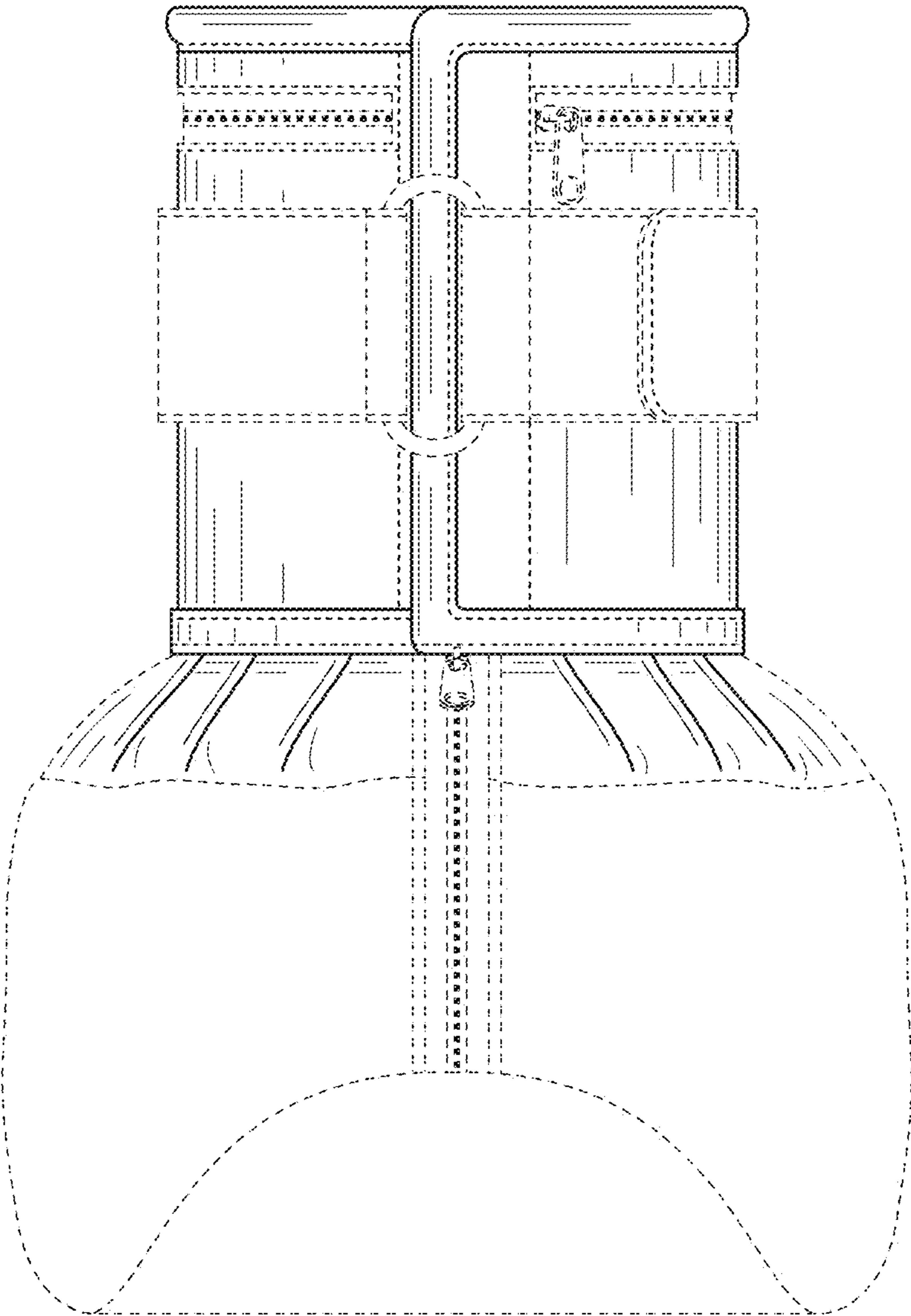


FIG. 4



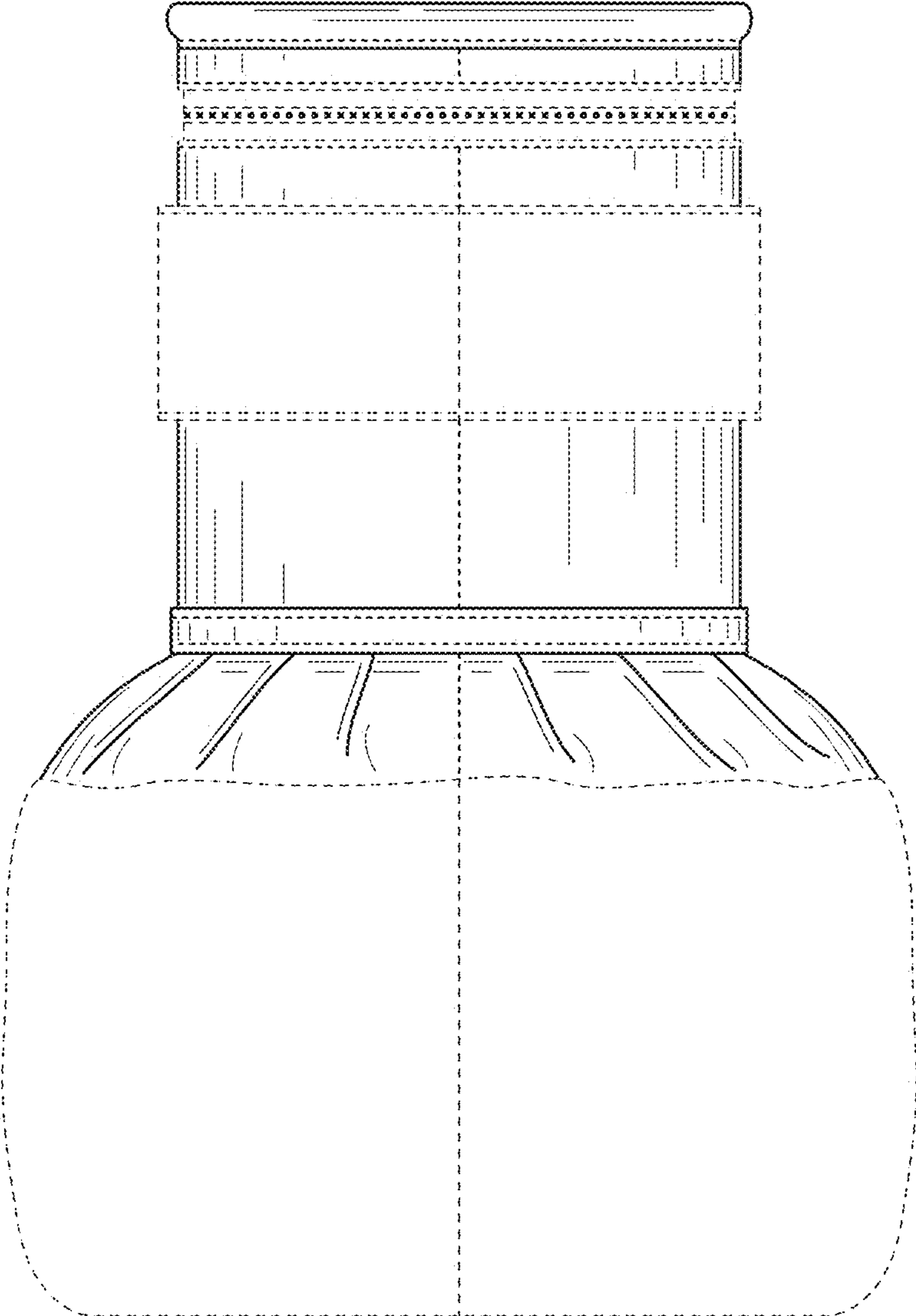


FIG. 5

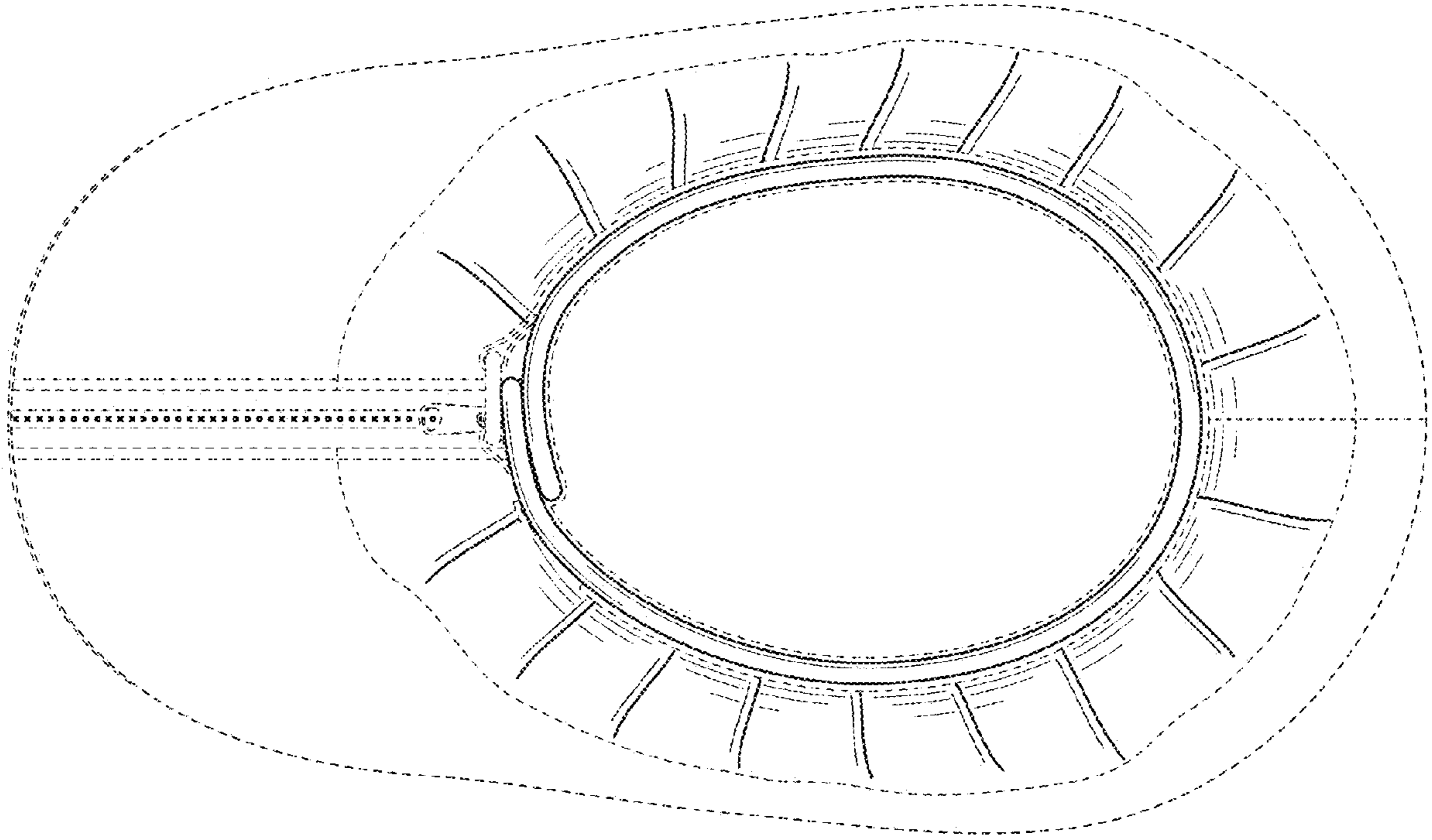


FIG. 6

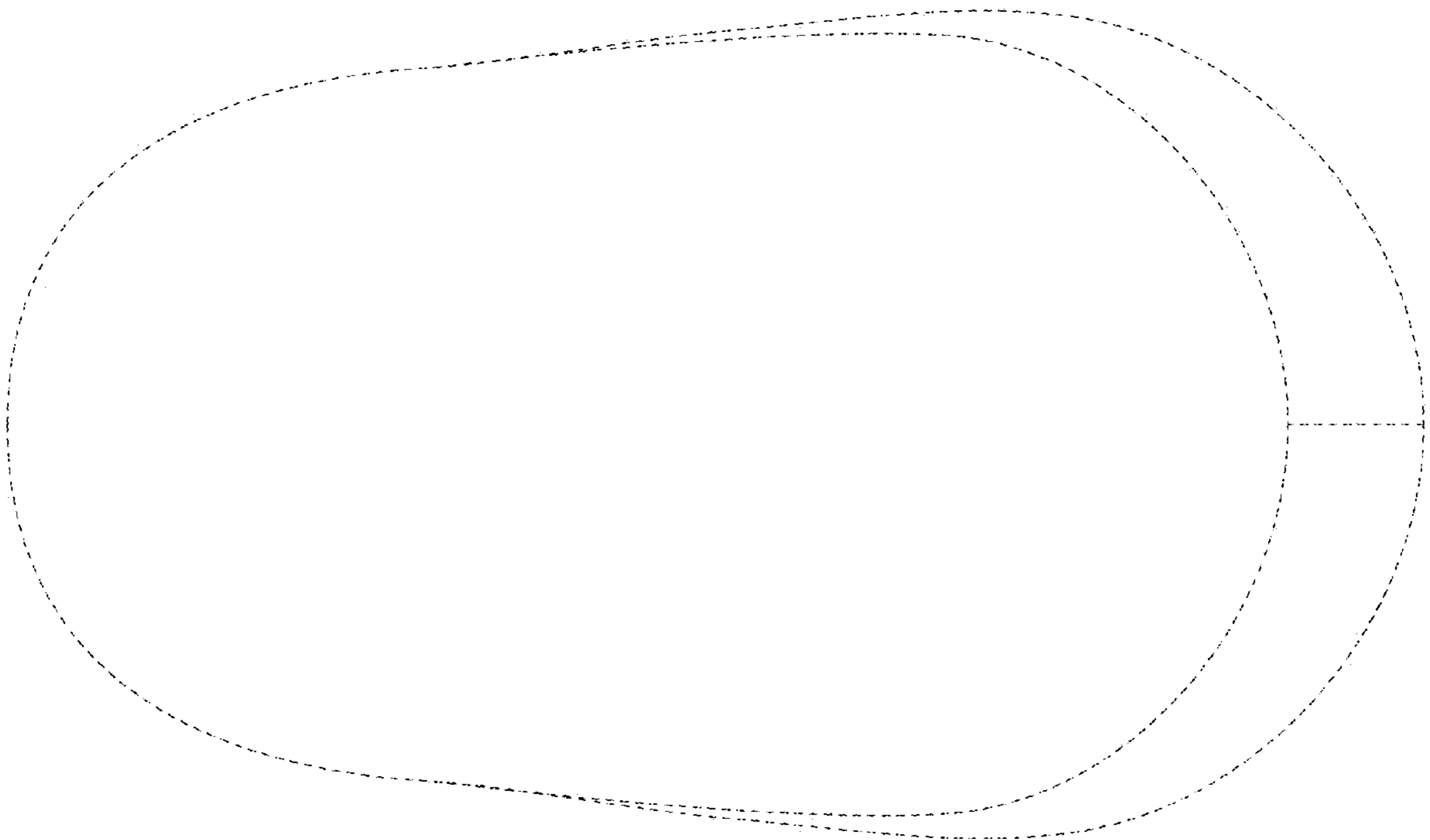


FIG. 7