



US00D888377S

(12) **United States Design Patent**  
**Lazarus**

(10) **Patent No.:** **US D888,377 S**  
(45) **Date of Patent:** **\*\* Jun. 30, 2020**

(54) **CAP WITH A BAND**  
(71) Applicant: **TOG LLC**, Northbrook, IL (US)  
(72) Inventor: **Barbara F. Lazarus**, Bannockburn, IL (US)  
(73) Assignee: **TOG, LLC**, Northbrook, IL (US)  
(\*\*) Term: **15 Years**

(21) Appl. No.: **29/660,387**  
(22) Filed: **Aug. 21, 2018**  
(51) **LOC (12) Cl.** ..... **02-03**  
(52) **U.S. Cl.**  
USPC ..... **D2/882**  
(58) **Field of Classification Search**  
USPC ..... D2/865, 866, 872, 873, 875, 876, 879,  
D2/882, 884, 886, 890  
CPC .. A42B 1/00; A42B 1/04; A42B 1/041; A42B  
1/06; A42B 1/061; A42B 1/062; A42B  
1/18; A42B 1/22; A42B 1/225; A42B  
1/242; A42B 1/248; A42B 1/02; A42B  
1/201; A42B 1/206; A42B 1/247  
See application file for complete search history.

(56) **References Cited**  
U.S. PATENT DOCUMENTS  
D103,853 S \* 3/1937 Mariani ..... D2/871  
D110,416 S \* 7/1938 Goodman ..... D2/869  
D172,203 S \* 5/1954 Vernam ..... D2/882  
5,073,989 A \* 12/1991 Teague ..... A45D 8/36  
2/181  
D338,551 S \* 8/1993 Teague ..... D2/875  
D339,467 S \* 9/1993 Teague ..... D2/875

6,546,563 B2 \* 4/2003 Young ..... A42B 1/22  
2/181  
6,560,785 B1 \* 5/2003 Taguchi ..... A42B 1/206  
2/10  
D538,011 S \* 3/2007 Yan ..... D2/882  
D610,783 S \* 3/2010 Miller ..... D2/882  
D614,380 S \* 4/2010 Lam ..... D2/882  
D694,494 S \* 12/2013 Jacquart Thorsen ..... D2/882  
D764,150 S \* 8/2016 Lacy ..... D2/882

\* cited by examiner

*Primary Examiner* — Jasmine Mlinarcik  
(74) *Attorney, Agent, or Firm* — Leydig, Voit & Mayer, Ltd.

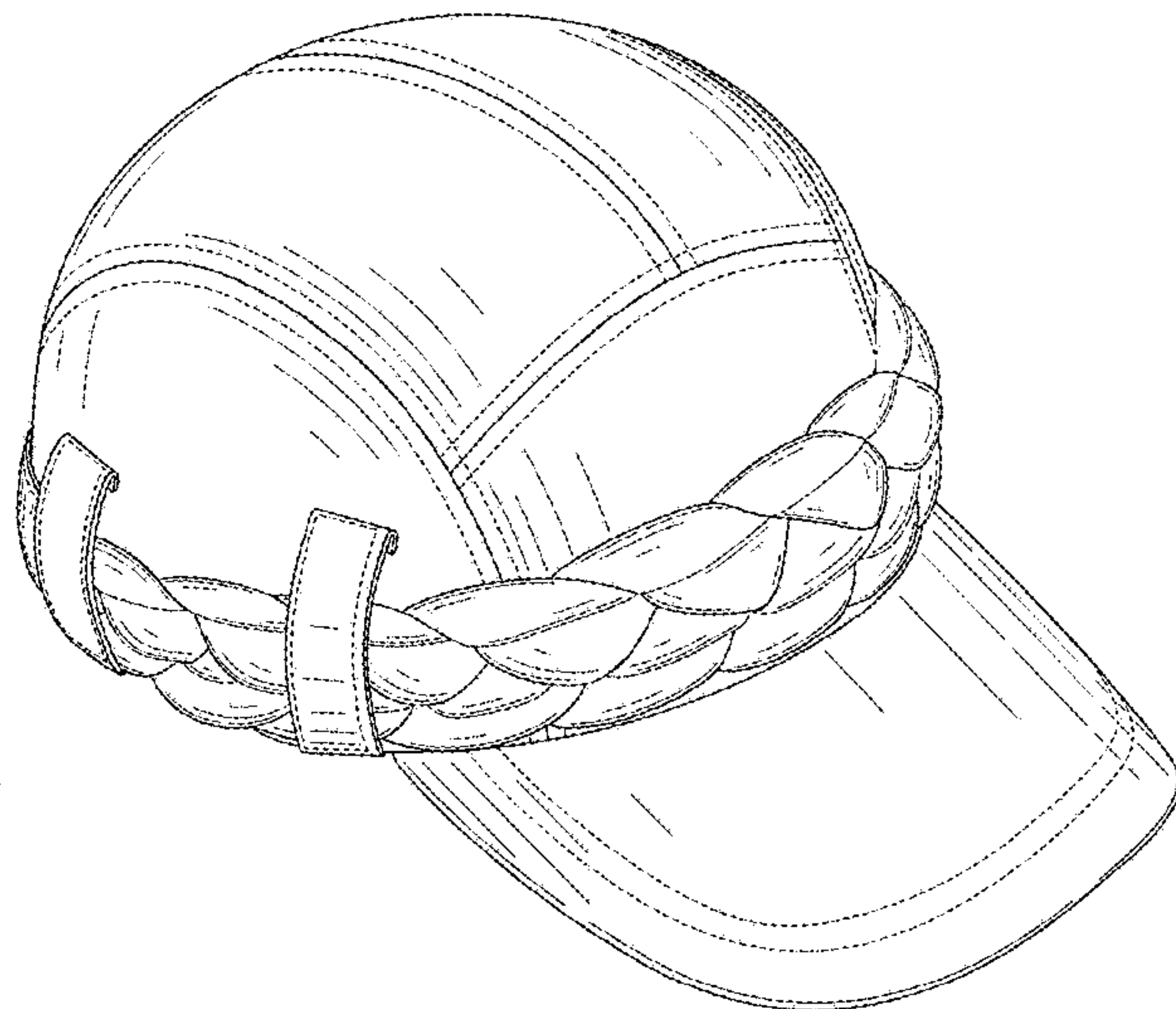
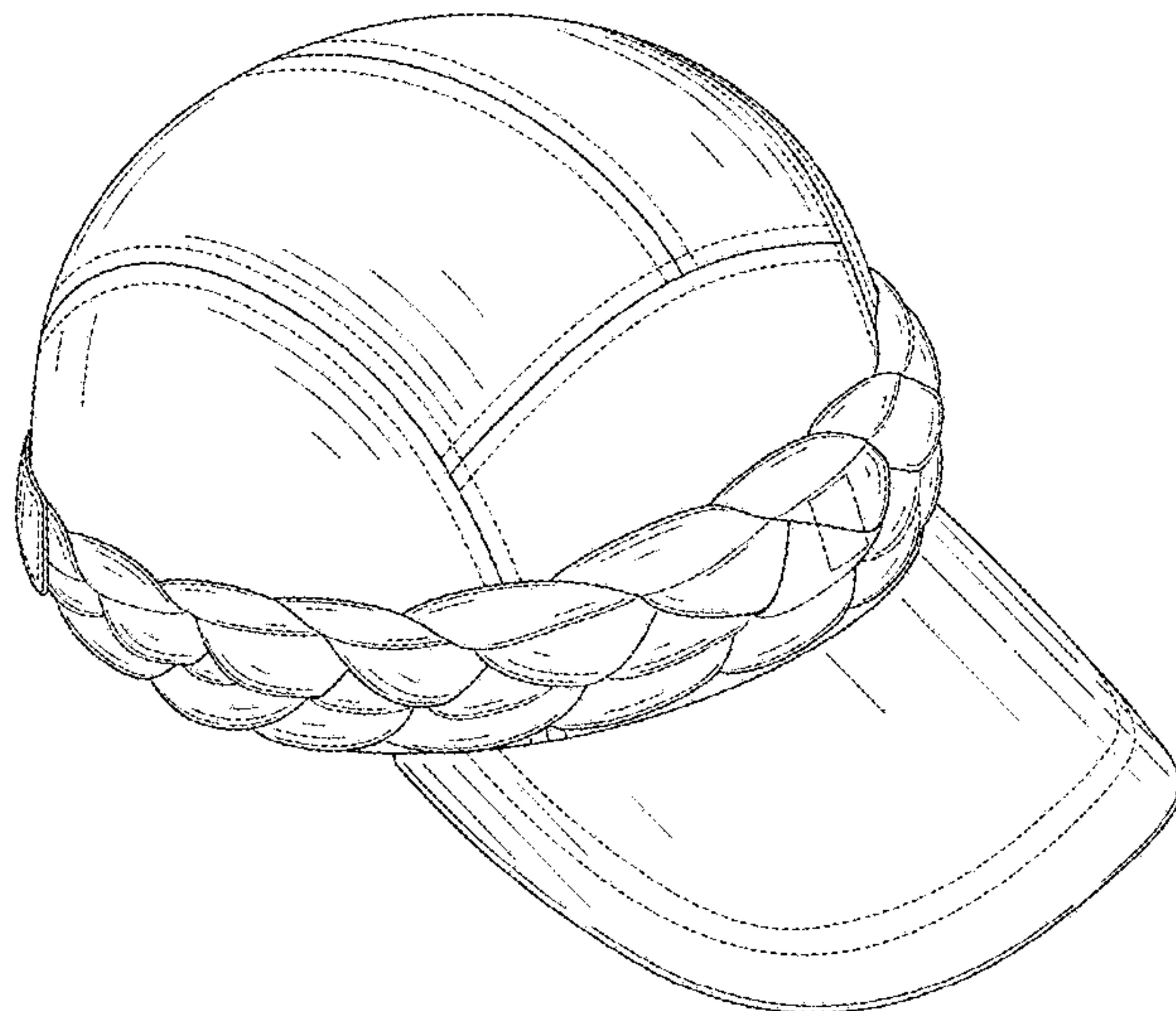
(57) **CLAIM**

The ornamental design of a cap with a band, as shown and described.

**DESCRIPTION**

FIG. 1 is a perspective view of a first embodiment;  
FIG. 2 is a front view thereof;  
FIG. 3 is a back view thereof;  
FIG. 4 is a right side view thereof;  
FIG. 5 is a top view thereof; and  
FIG. 6 is a bottom view thereof  
FIG. 7 is a perspective view of a second embodiment;  
FIG. 8 is a front view thereof;  
FIG. 9 is a back view thereof;  
FIG. 10 is a right side view thereof;  
FIG. 11 is a top view thereof; and  
FIG. 12 is a bottom view thereof.  
The broken lines in the drawings represent stitching and form part of the claimed design.

**1 Claim, 12 Drawing Sheets**



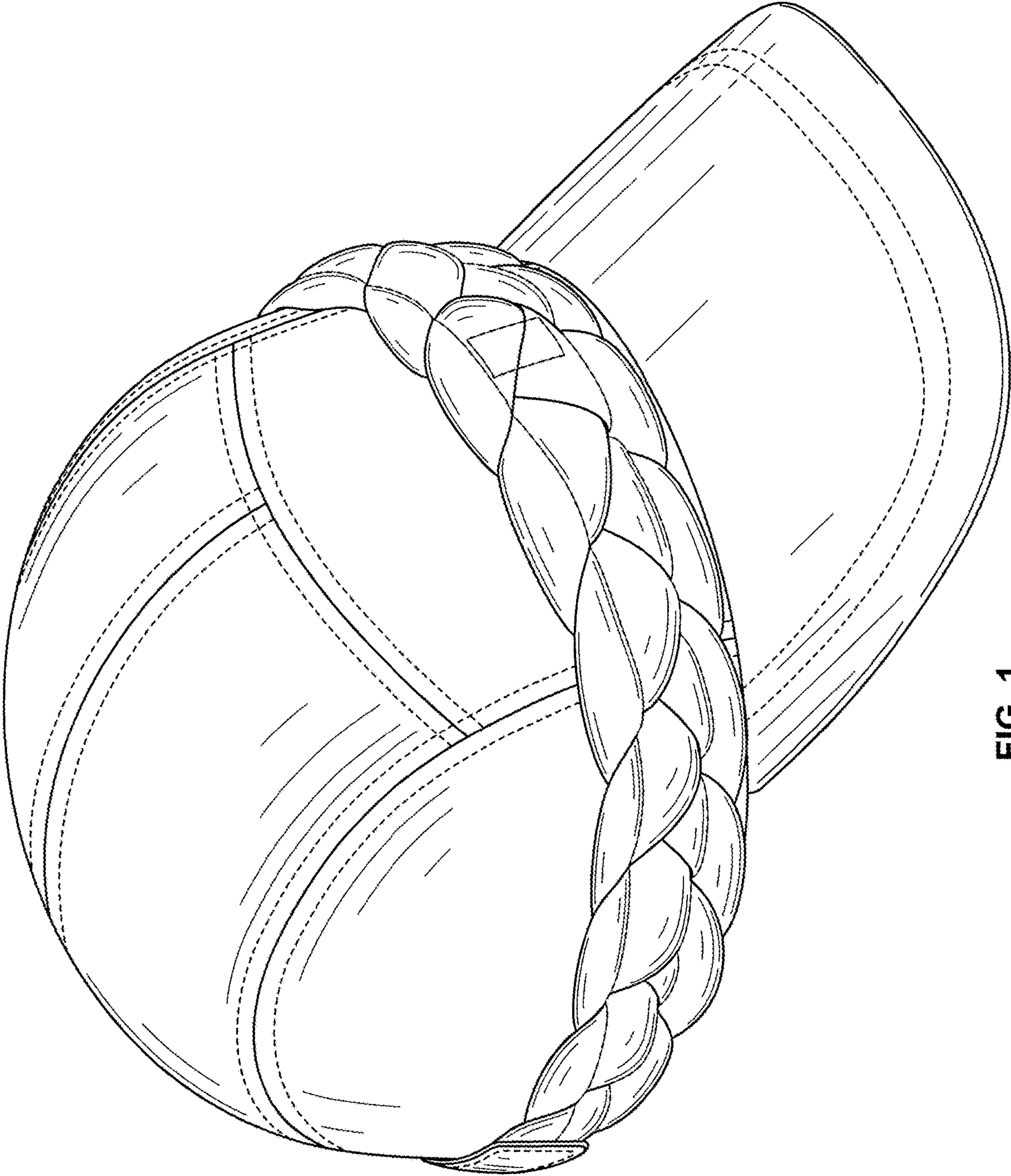


FIG. 1

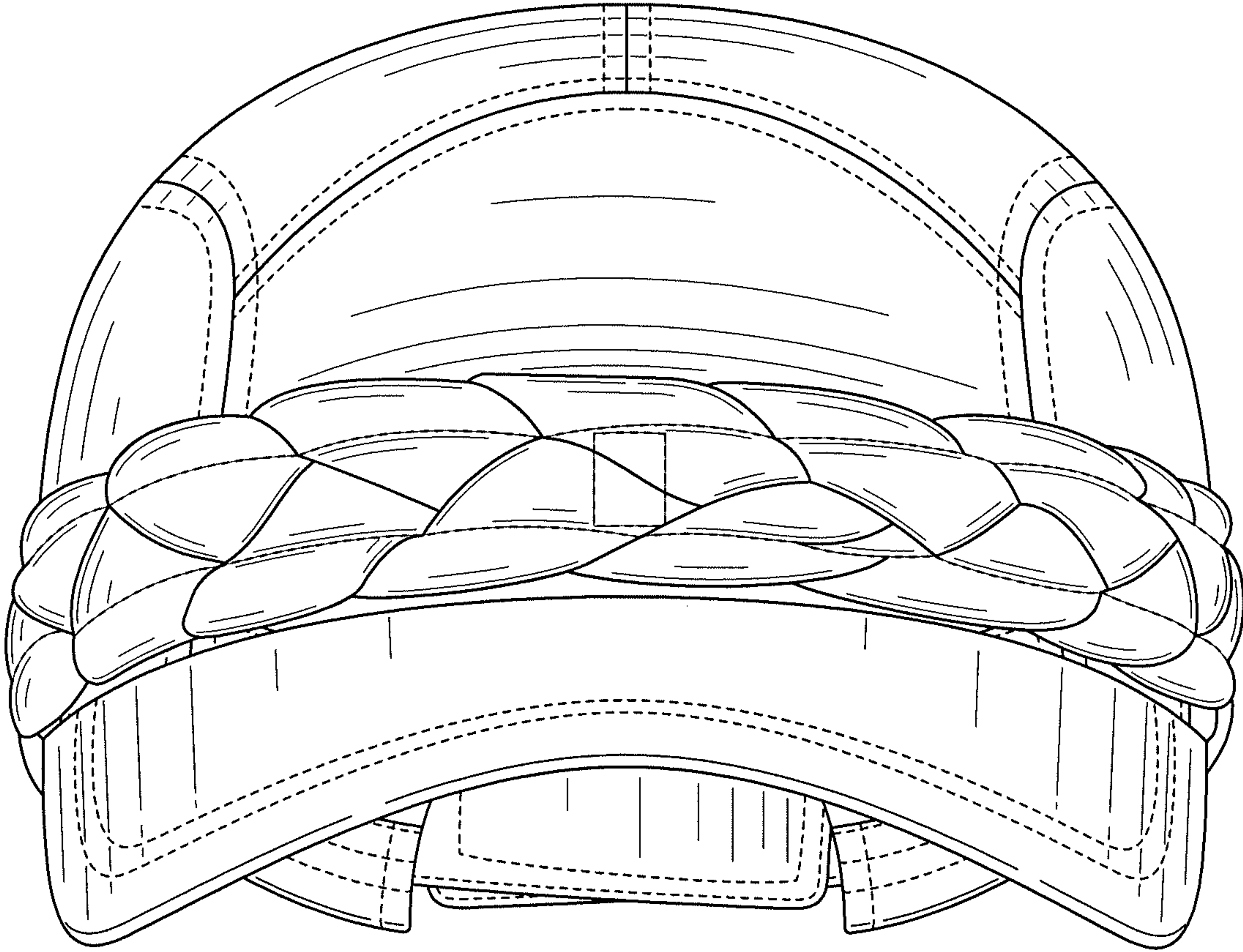


FIG. 2



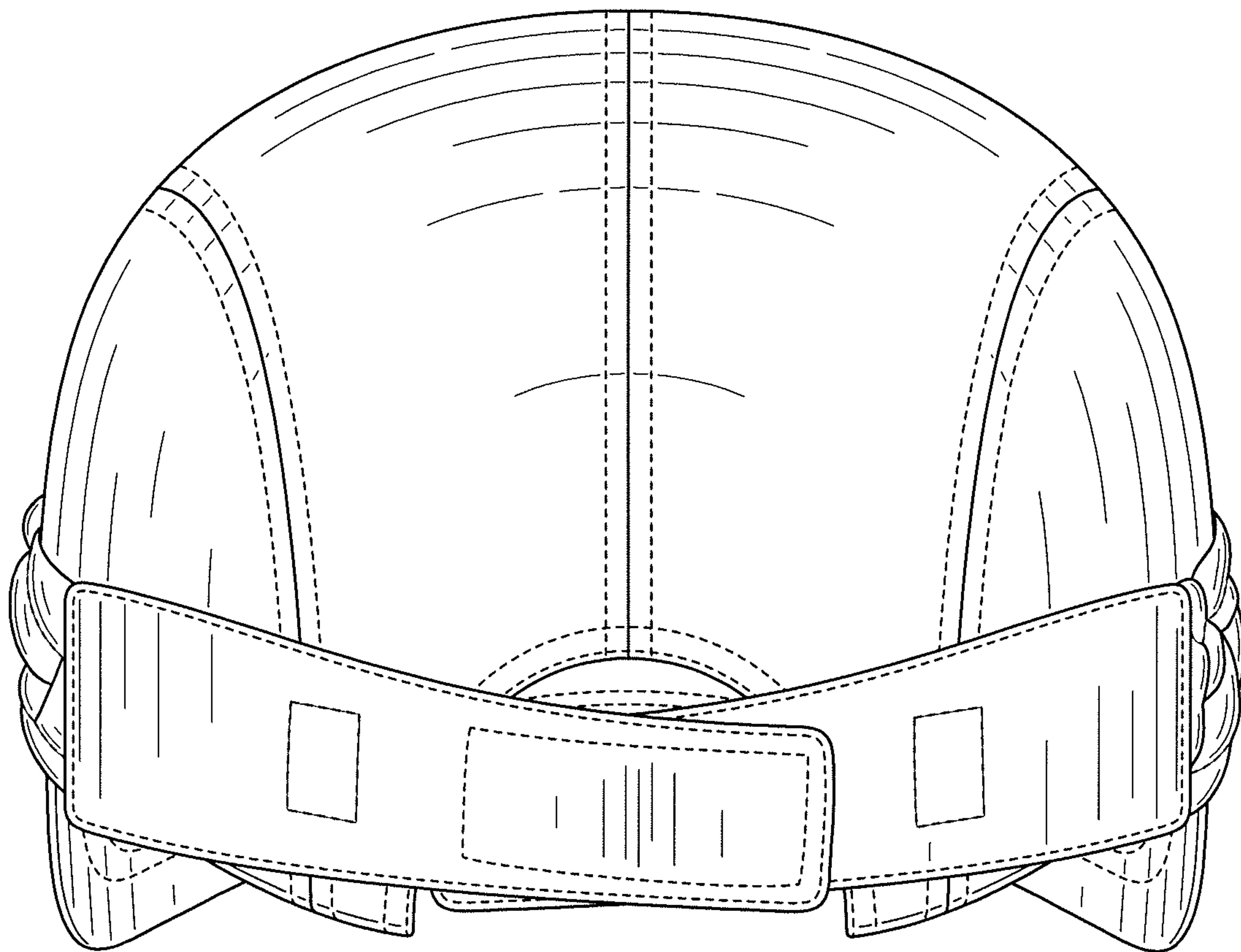


FIG. 3

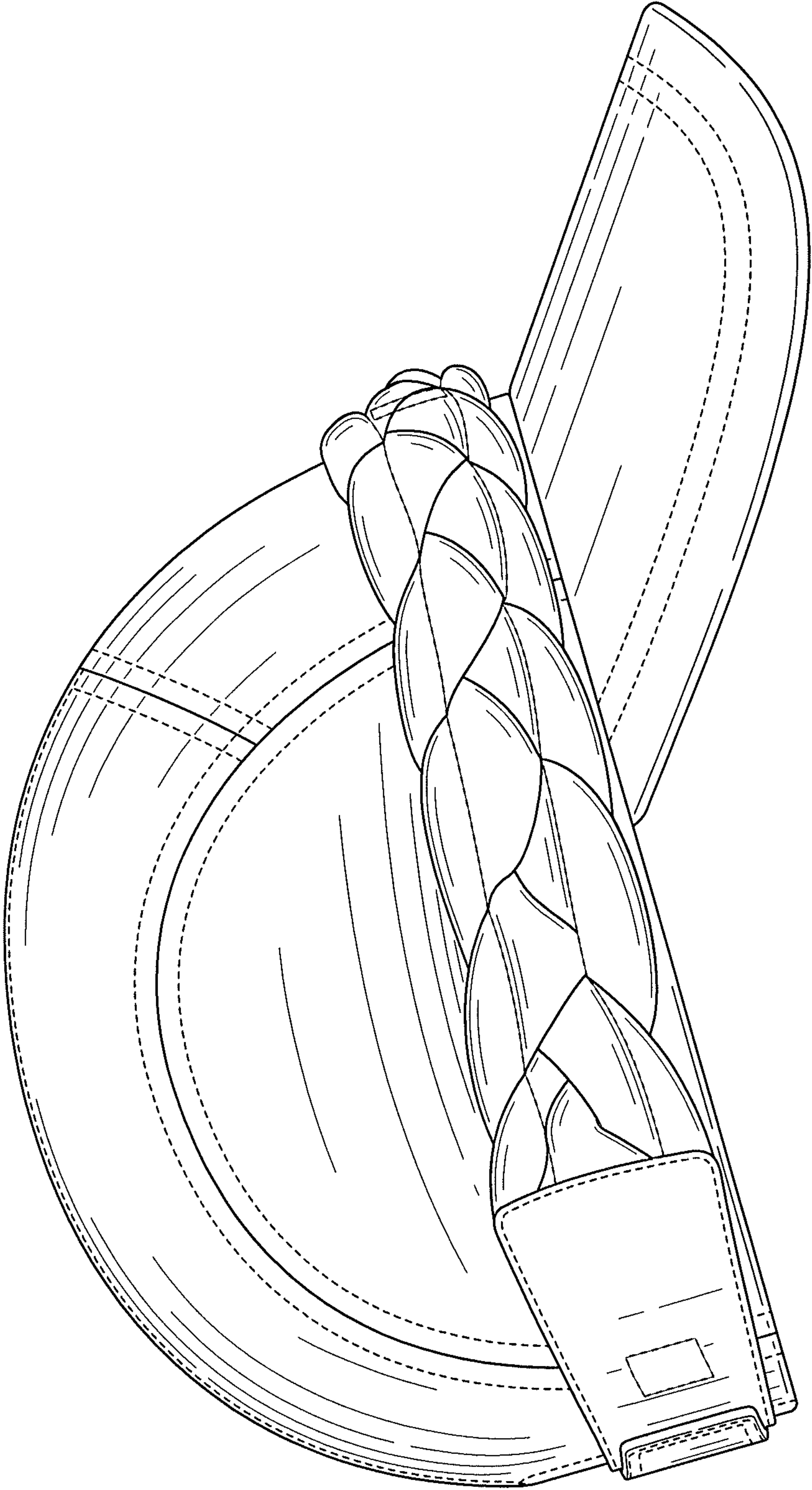


FIG. 4

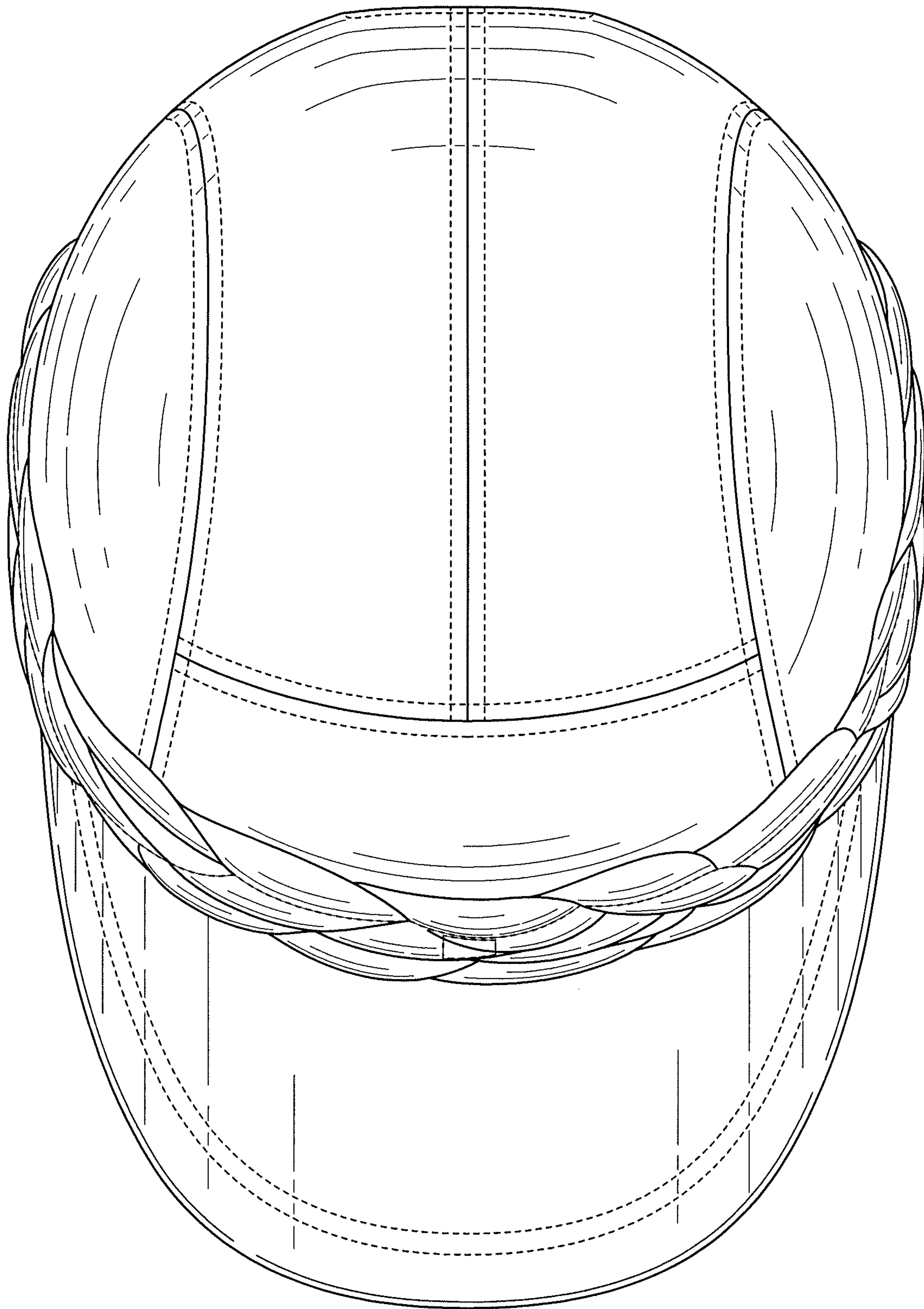


FIG. 5

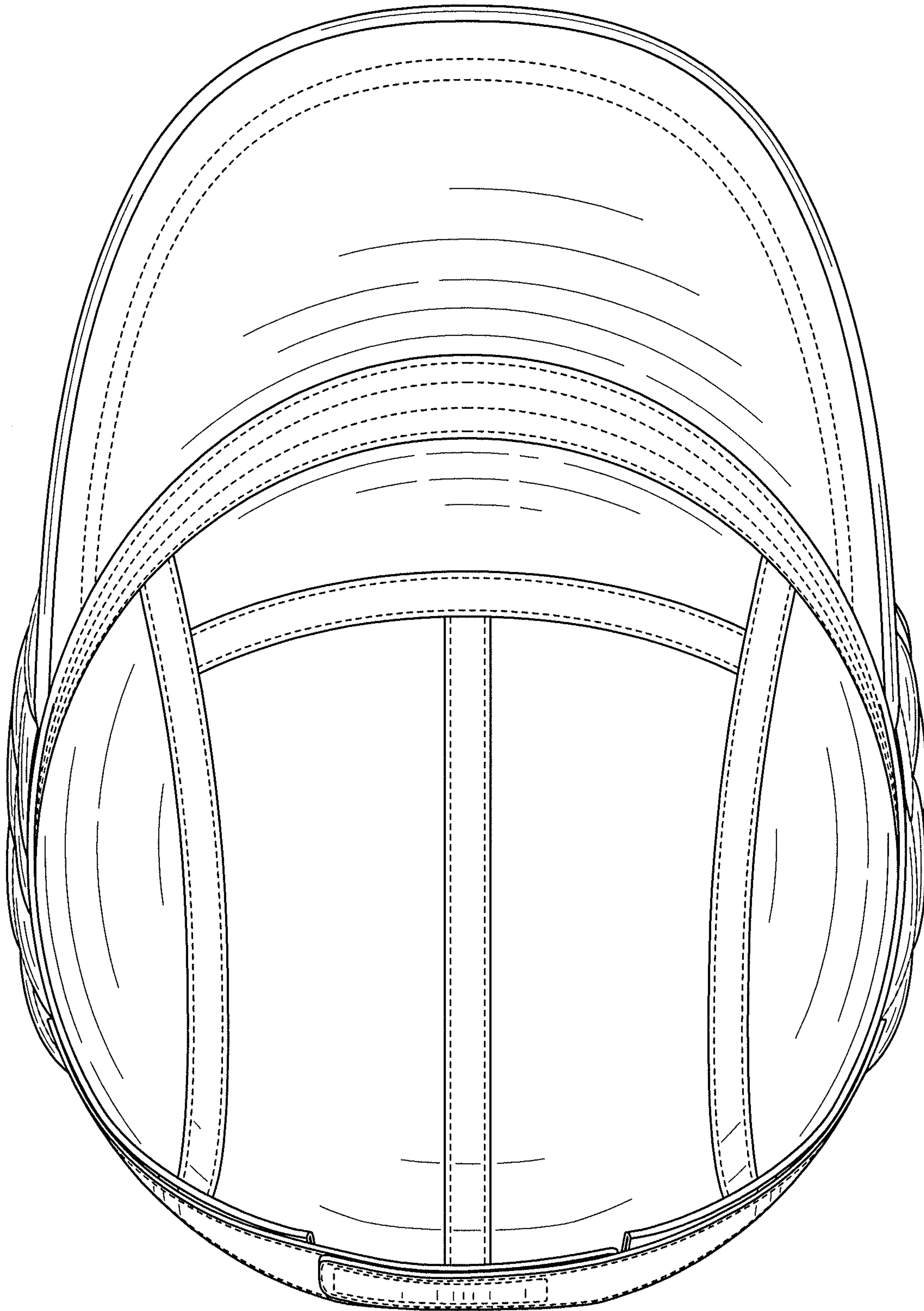


FIG. 6



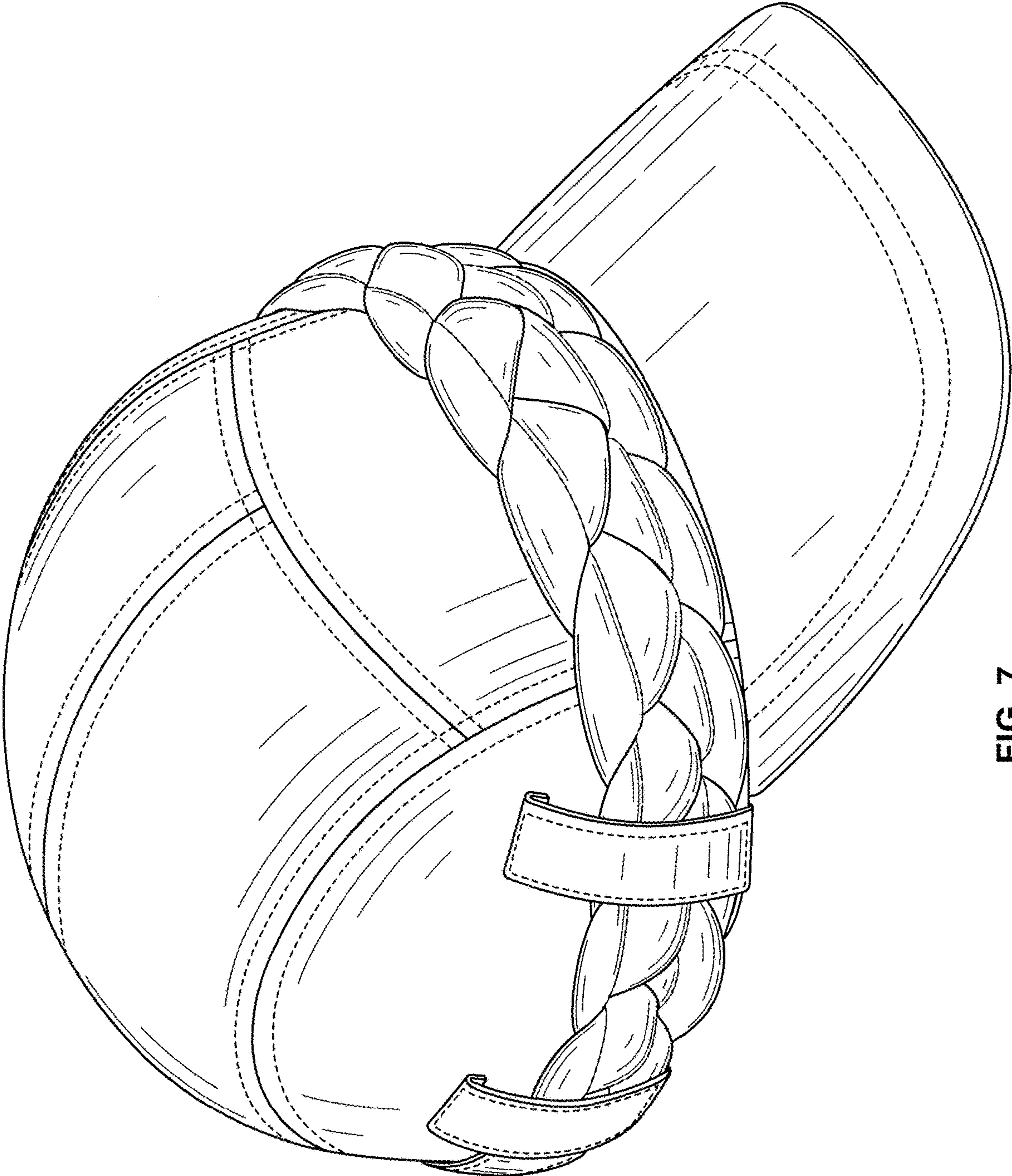


FIG. 7



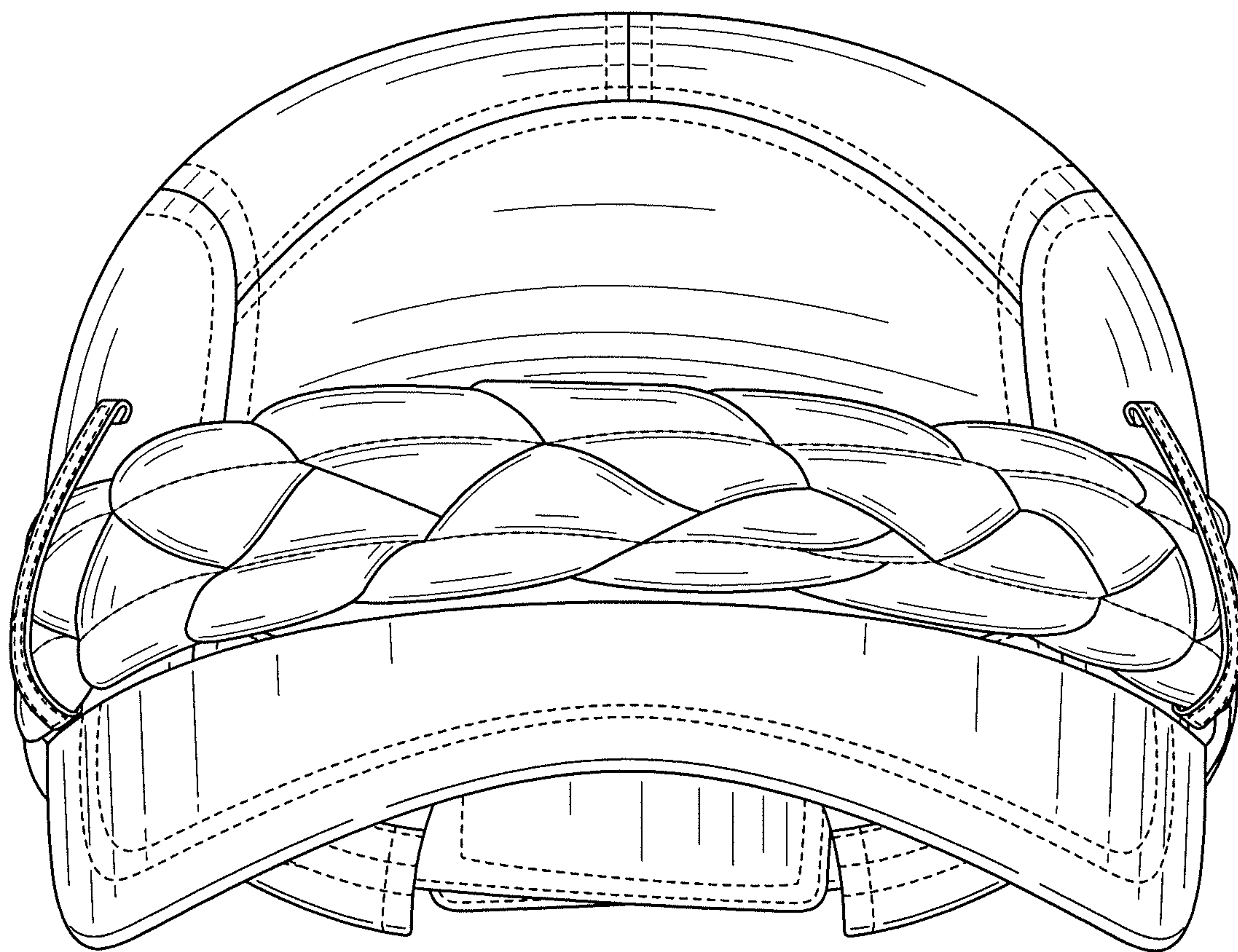


FIG. 8

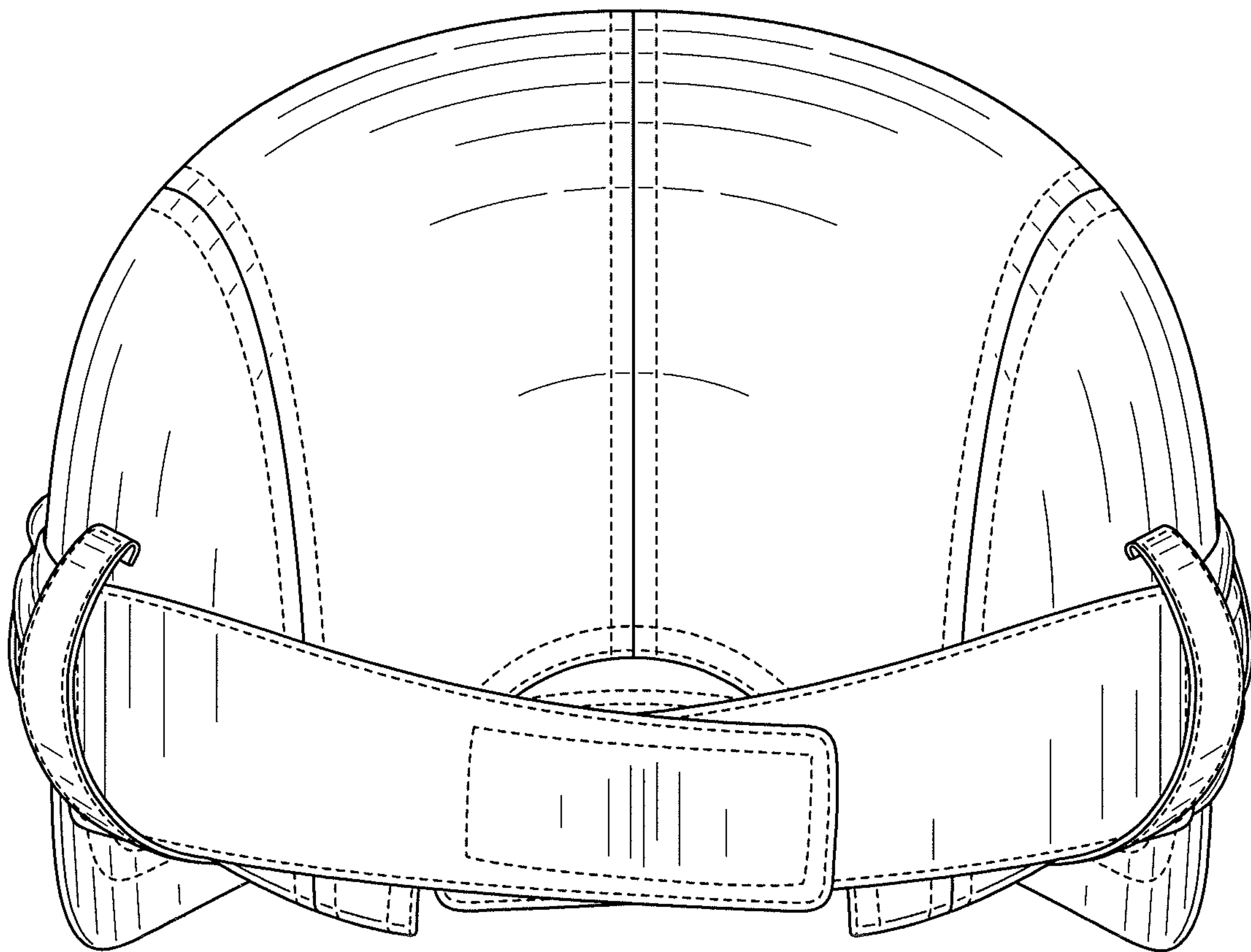


FIG. 9

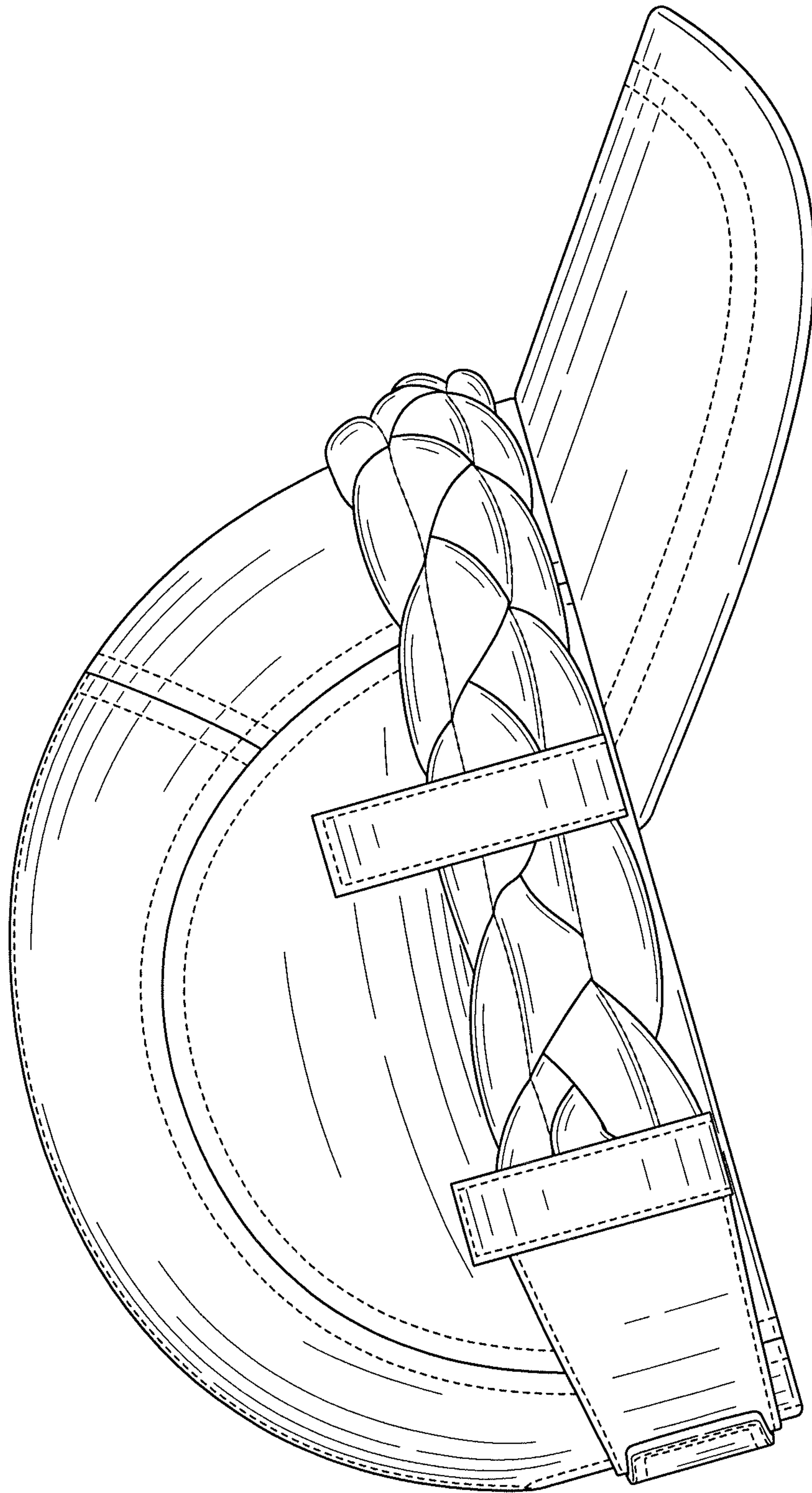


FIG. 10



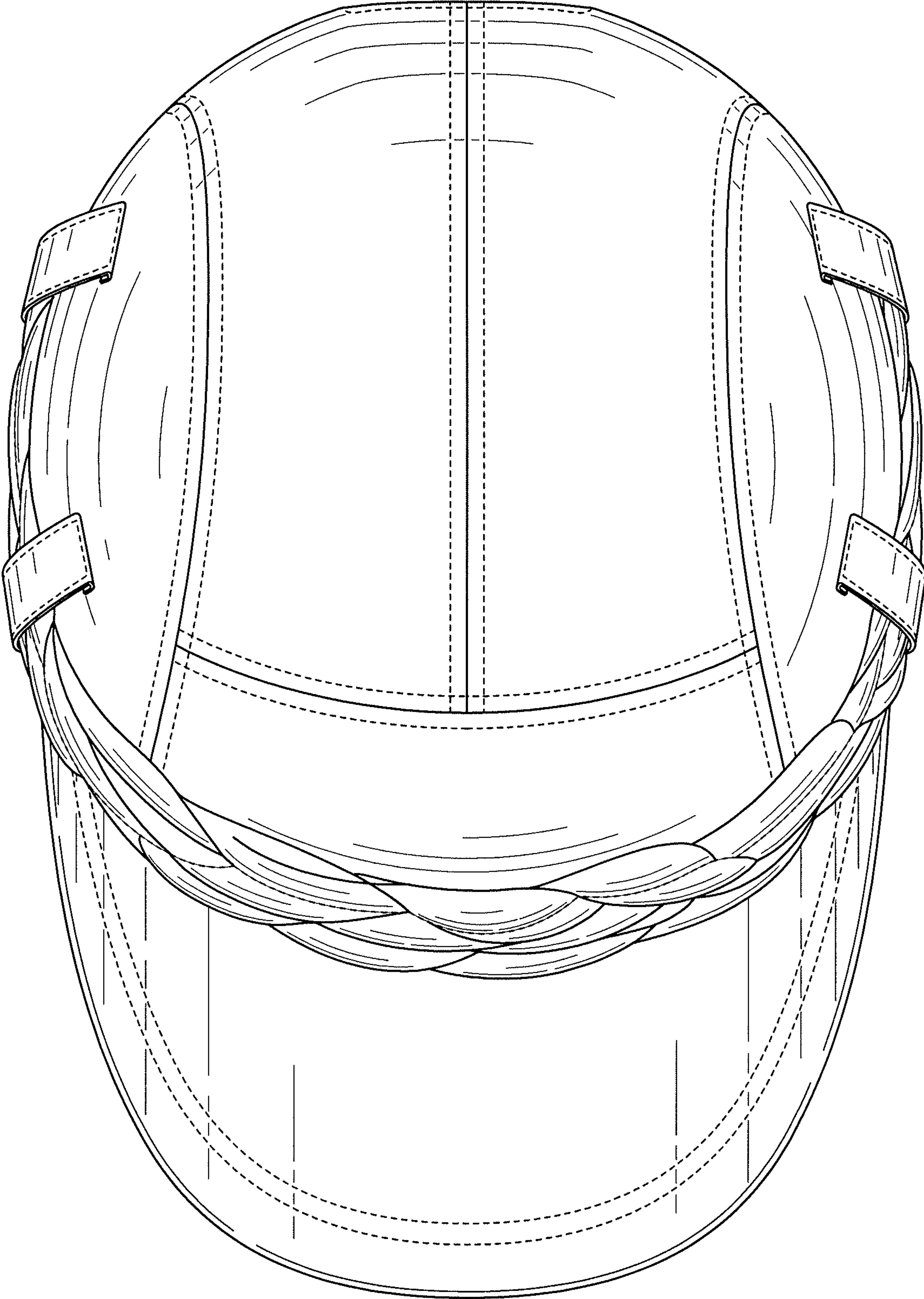


FIG. 11

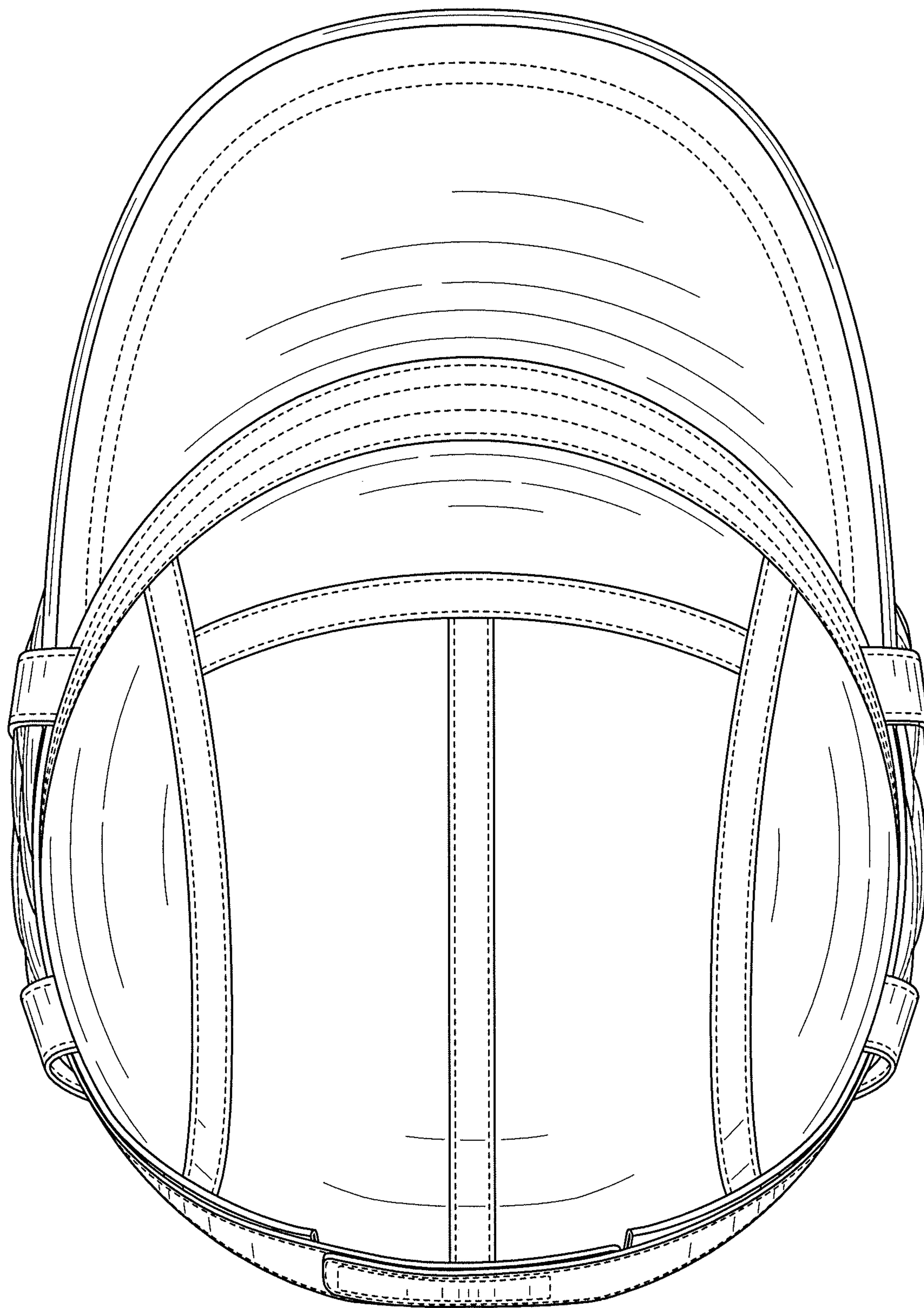


FIG. 12