



US00D888370S

(12) **United States Design Patent**
Young

(10) **Patent No.:** **US D888,370 S**

(45) **Date of Patent:** **** Jun. 30, 2020**

(54) **UNIFORM**

(71) Applicant: **Charissa Young**, Baltimore, MD (US)

(72) Inventor: **Charissa Young**, Baltimore, MD (US)

(**) Term: **15 Years**

(21) Appl. No.: **29/635,955**

(22) Filed: **Feb. 5, 2018**

(51) **LOC (12) Cl.** **02-02**

(52) **U.S. Cl.**
USPC **D2/739**

(58) **Field of Classification Search**
USPC D2/739, 713, 743, 840, 742
CPC A41D 13/12
See application file for complete search history.

(56) **References Cited**

U.S. PATENT DOCUMENTS

- 1,488,539 A * 4/1924 Harsh A41D 1/04
2/122
- 4,737,995 A * 4/1988 Wiley A41D 13/1236
2/114
- 4,791,681 A * 12/1988 Dean A41D 13/012
2/102
- 4,860,388 A * 8/1989 Dean A41D 13/012
2/247
- D319,525 S * 9/1991 Clark D2/743
- 5,083,315 A * 1/1992 Dillon, Jr. B01D 57/02
2/114
- D364,493 S 11/1995 Williams
- D373,893 S * 9/1996 Patel D2/840
- 5,652,961 A * 8/1997 Knight-Yurt A41D 13/0012
2/106
- D456,112 S * 4/2002 Dilworth, Jr. D2/739
- D457,290 S * 5/2002 Thompson D2/743
- D476,137 S 6/2003 McFarlane
- D509,343 S * 9/2005 Bragg D2/840
- 7,418,741 B2 * 9/2008 Rogers A41D 13/1236
2/114
- D584,882 S * 1/2009 Trouillot D2/720

- D601,781 S * 10/2009 Rhodes D2/840
- D621,587 S 8/2010 Tatroe et al.
- D627,137 S 11/2010 Keavey et al.
- D632,460 S * 2/2011 Kinder D2/717
- D646,467 S * 10/2011 Campbell D2/739
- D661,466 S * 6/2012 Taft D2/743
- D663,103 S * 7/2012 Mims D2/739
- D696,839 S * 1/2014 Harris D2/739
- D709,268 S * 7/2014 Kidman D2/840

(Continued)

OTHER PUBLICATIONS

Scrubs Review: Women's and Men's—Figs, Jaanuu, Cherokee, Greys Anatomy by Angelina Walker, posted to nurse.org. Available date: Dec. 26, 2017 [site visited Apr. 14, 2020] Available: <<https://nurse.org/articles/best-scrubs-nurse-reviews-discounts-promo/>> (Year: 2017).*

Primary Examiner — Kevin K Rudzinski

(74) Attorney, Agent, or Firm — Cramer Patent & Design, PLLC; Aaron R. Cramer

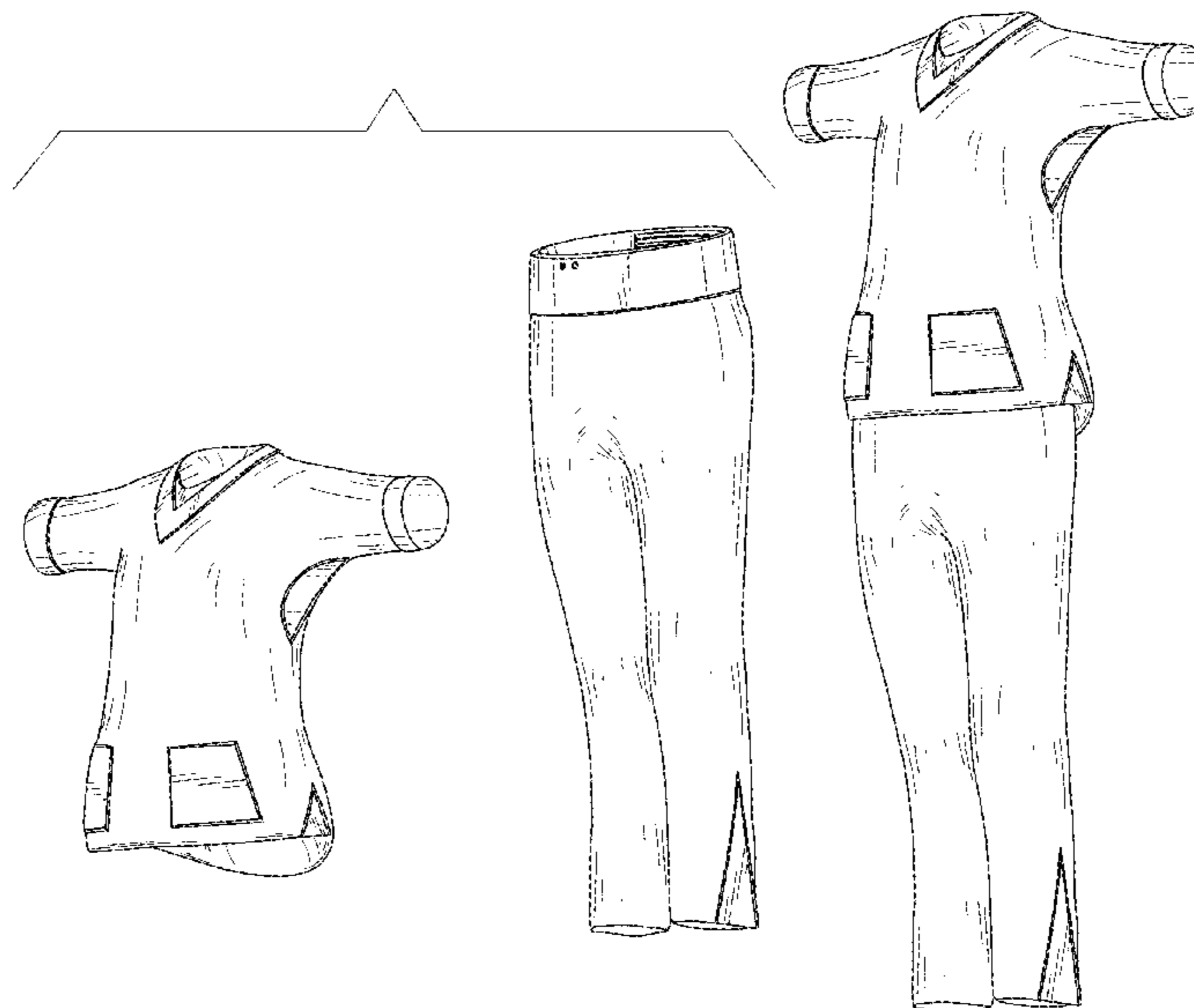
(57) **CLAIM**

The ornamental design for a uniform, as shown and described.

DESCRIPTION

FIG. 1 is a perspective top front right view of a uniform having a separated top and bottom, showing my new design; FIG. 2 is a perspective top rear left view thereof; FIG. 3 is a front elevation view thereof; FIG. 4 is a rear elevation view thereof; FIG. 5 is a right elevation view thereof; FIG. 6 is a left elevation view thereof; FIG. 7 is a top plan view thereof; FIG. 8 is a bottom plan view thereof; and, FIG. 9 is a perspective top front right view of a uniform having a combined top and bottom.

1 Claim, 8 Drawing Sheets



(56)

References Cited

U.S. PATENT DOCUMENTS

D719,720	S *	12/2014	Santana	D2/717
D729,497	S	5/2015	Orehek et al.	
D733,999	S	7/2015	Parker	
D734,917	S *	7/2015	Santana	D2/739
D744,197	S *	12/2015	Orehek	D2/739
D750,345	S *	3/2016	Earley	D2/739
D765,345	S	9/2016	Weiss	
D771,908	S *	11/2016	Busch	D2/739
D775,454	S *	1/2017	Kanka	D2/717
D808,615	S *	1/2018	Kanka	D2/739
D838,933	S *	1/2019	Van Der Leden	D2/739
D855,934	S *	8/2019	Duerr	D2/717
D865,327	S *	11/2019	Wang	D2/739
D868,425	S *	12/2019	Emanuel	D2/739
10,617,161	B2 *	4/2020	Walrich	A41D 15/005
2006/0143777	A1	7/2006	Dennis et al.	
2009/0217440	A1 *	9/2009	Sutker	A41D 13/0058
				2/114
2013/0205467	A1 *	8/2013	Walrich	A41D 13/1209
				2/93
2017/0295866	A1 *	10/2017	Konoma	A41D 13/1209

* cited by examiner

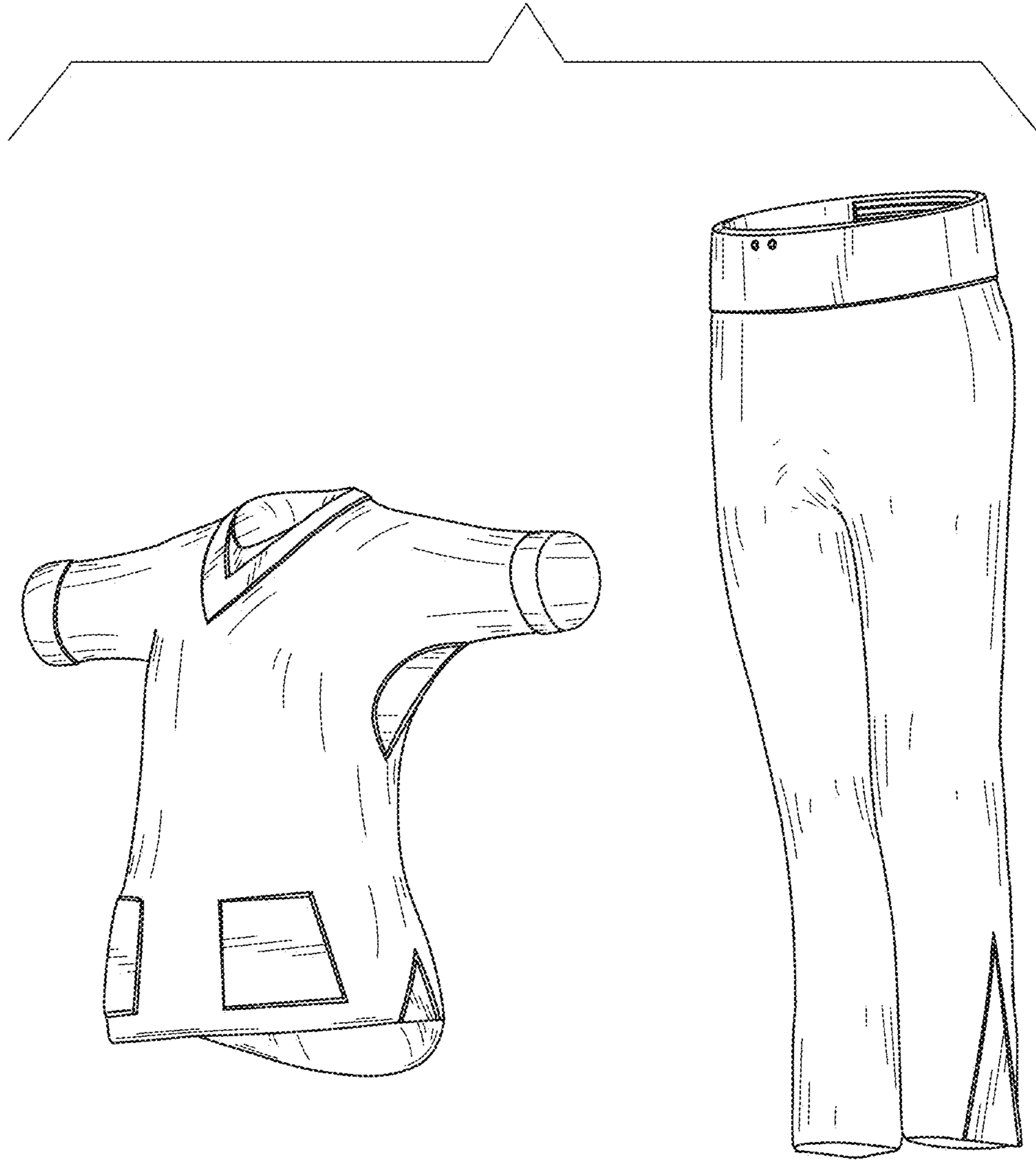


FIG. 1

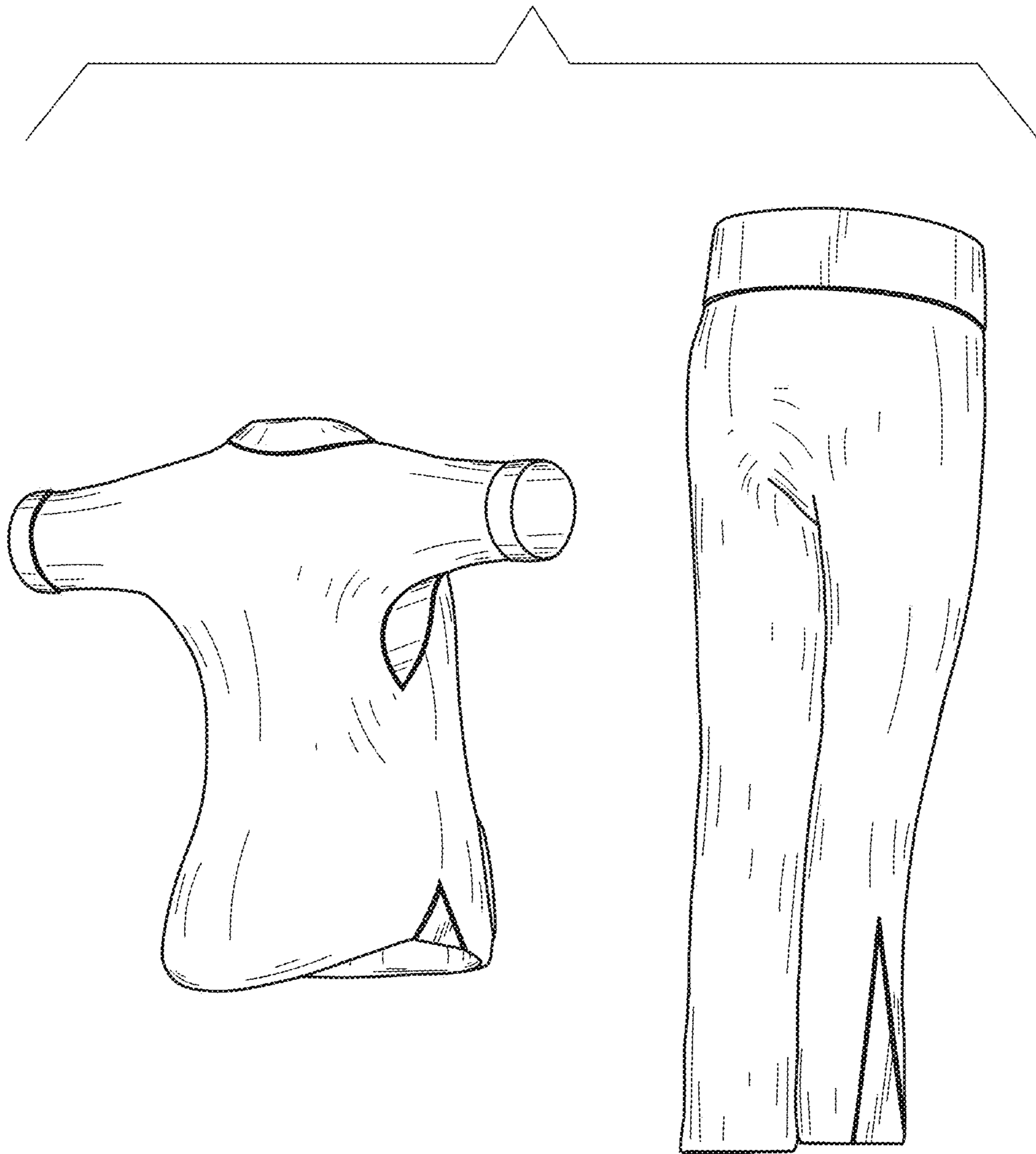


FIG. 2

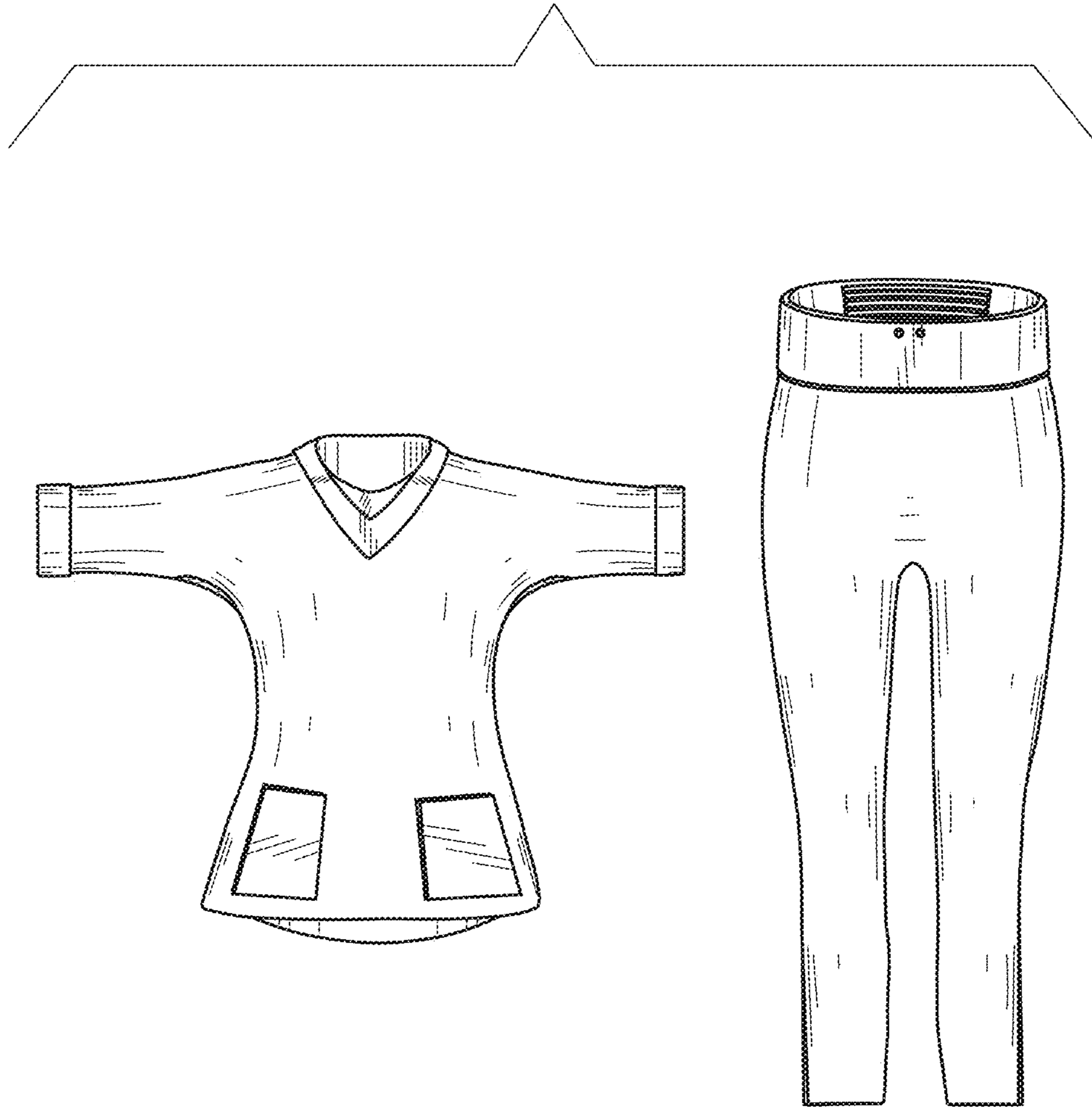


FIG. 3

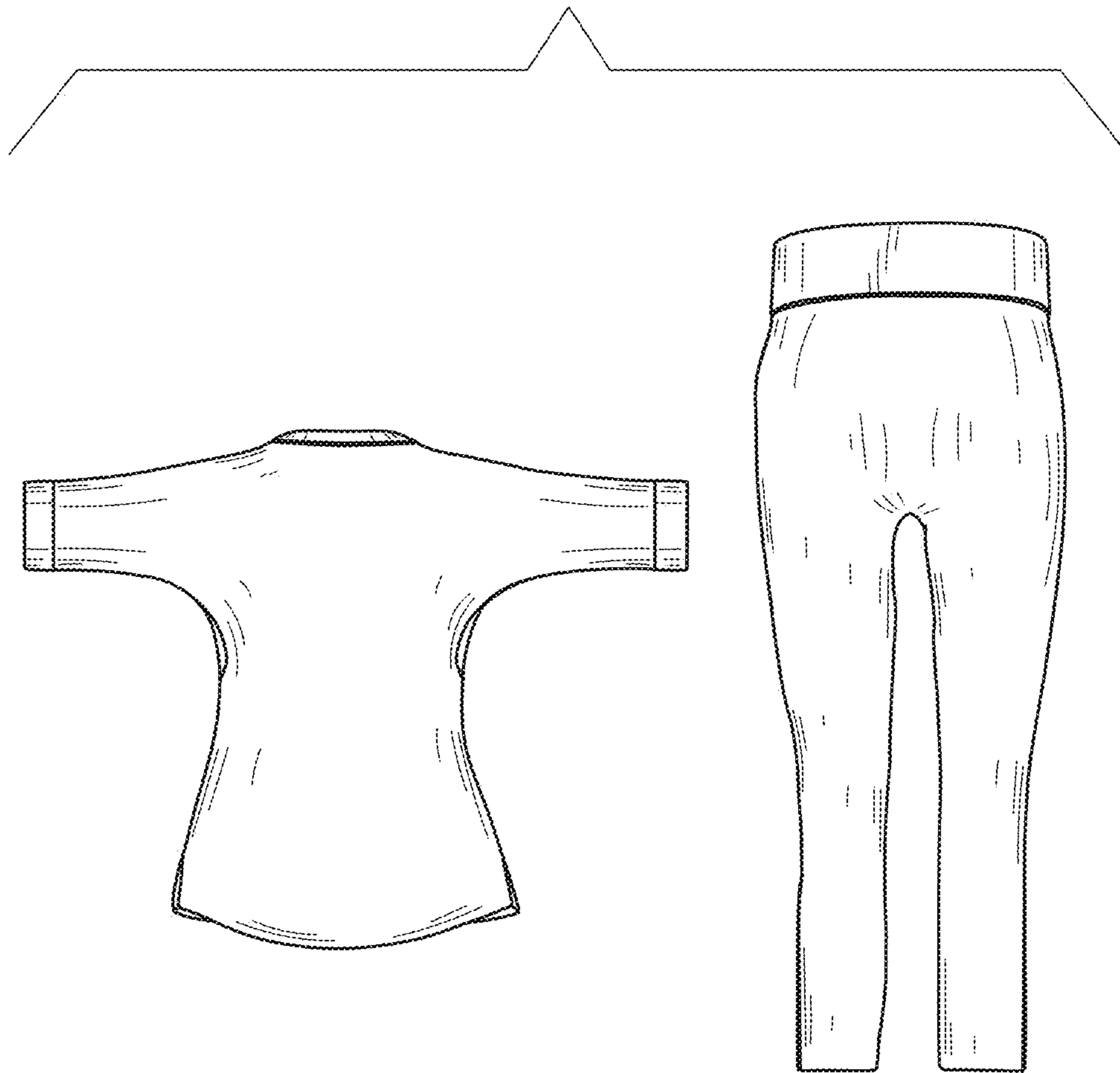


FIG. 4

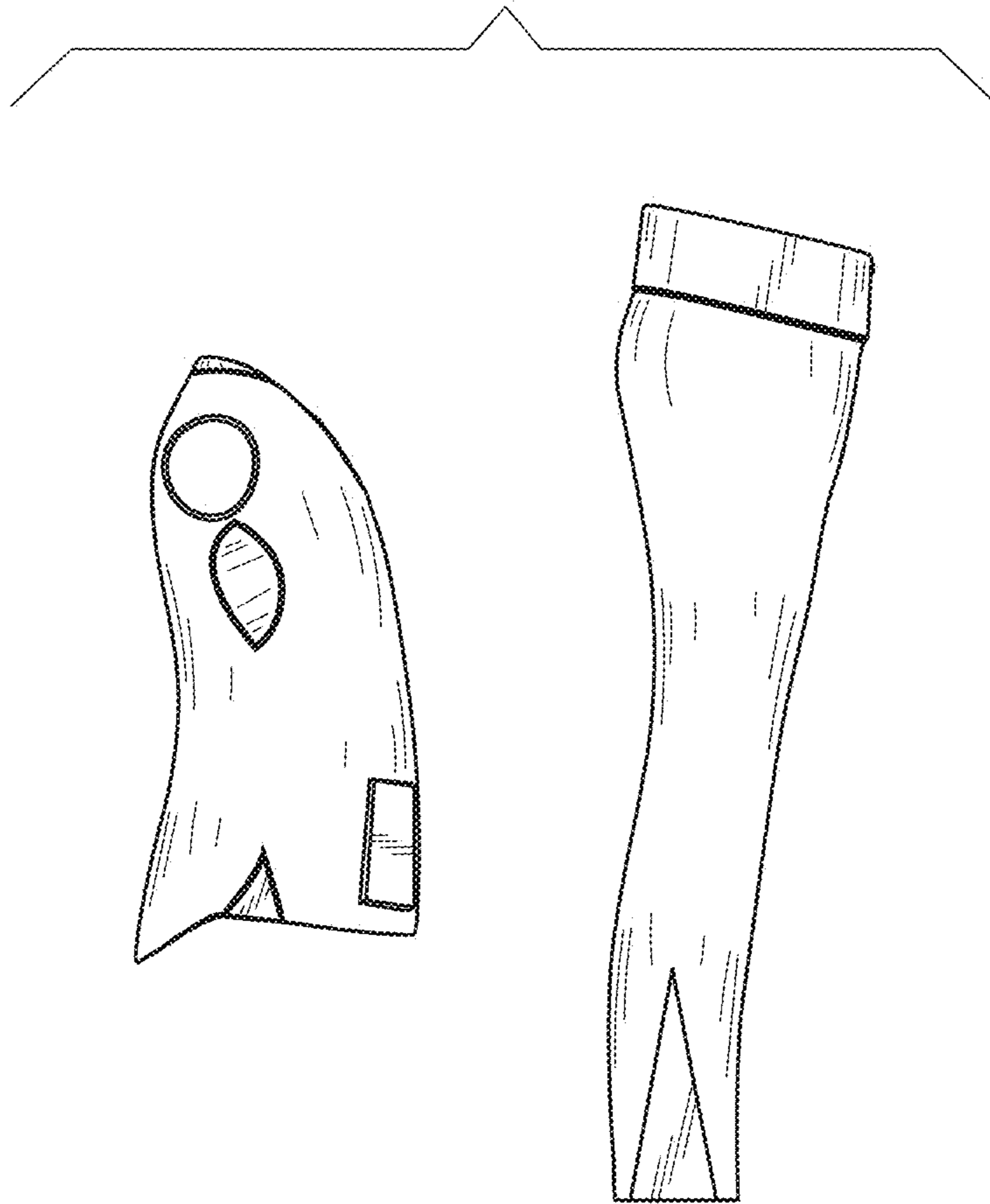


FIG. 5

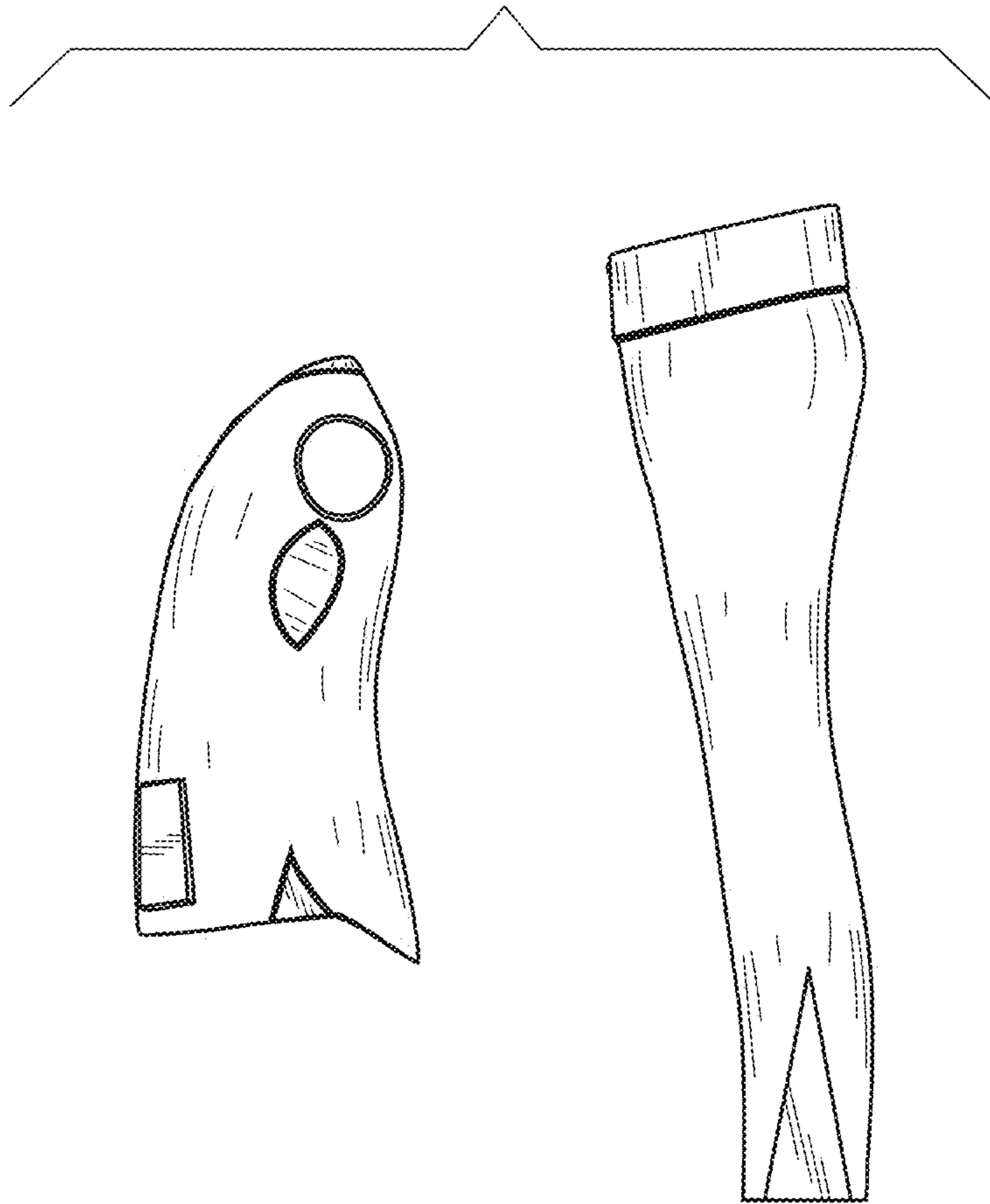


FIG. 6

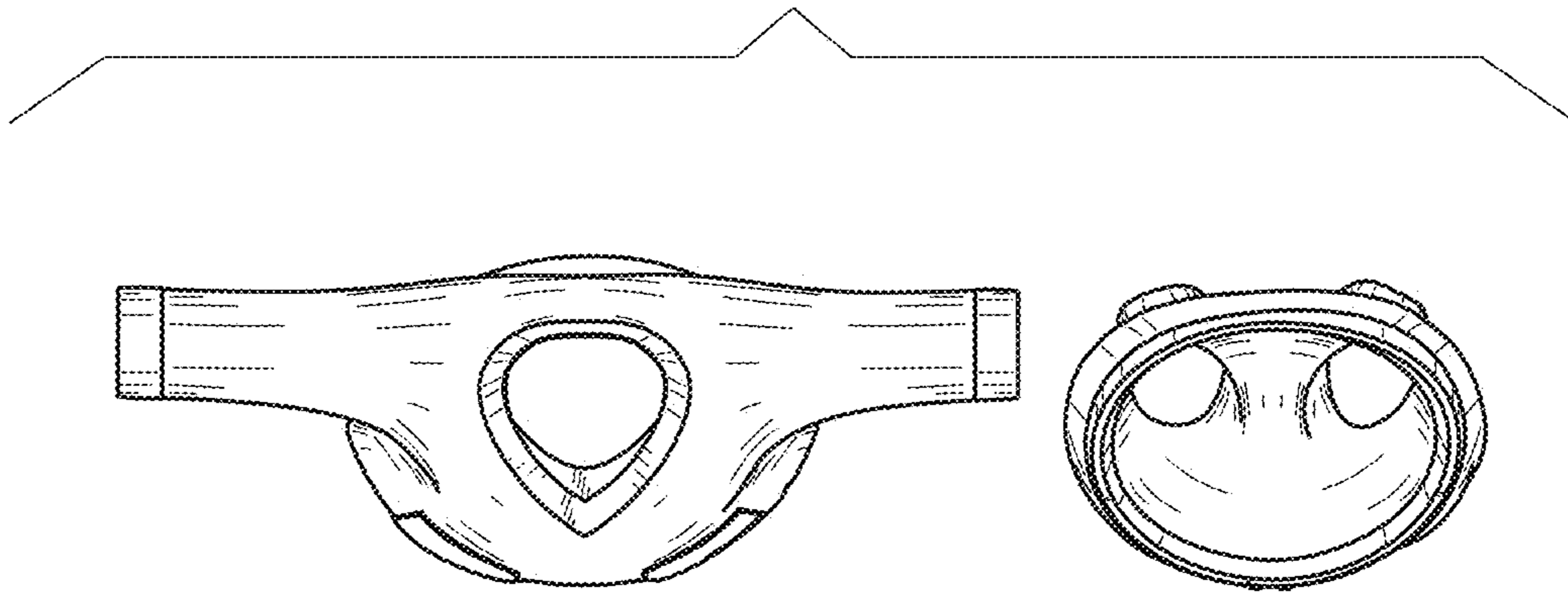


FIG. 7

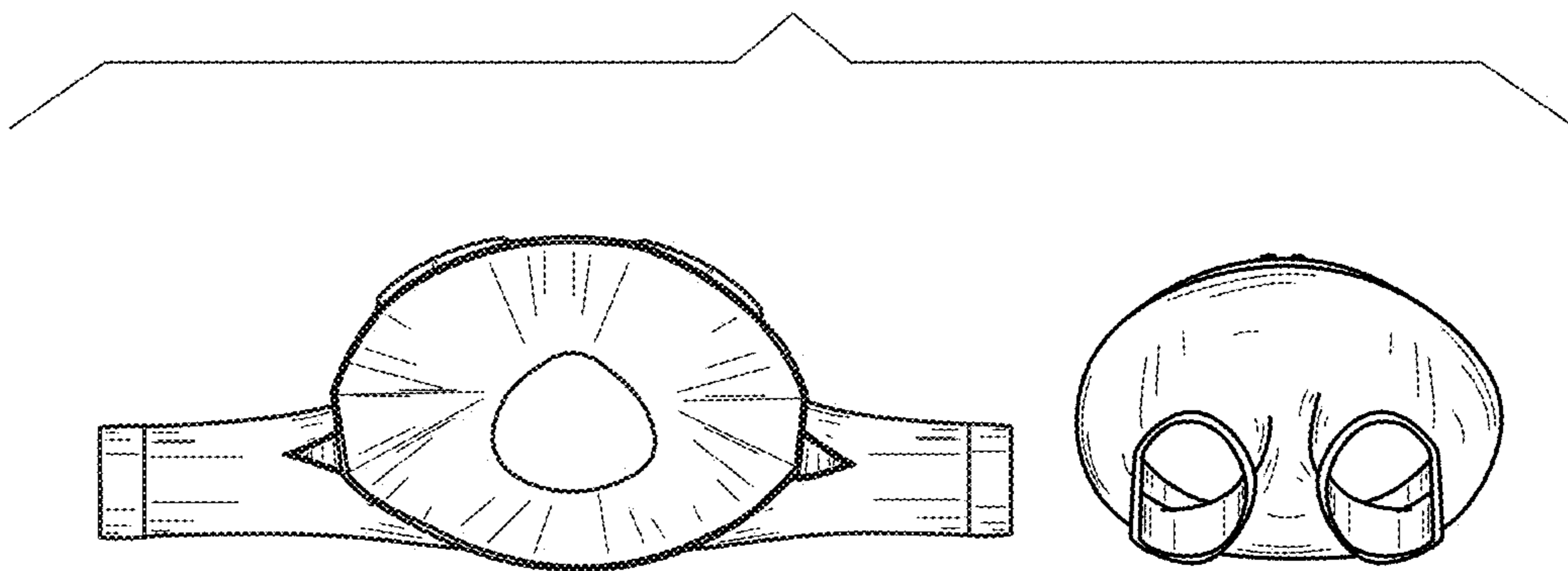


FIG. 8



FIG. 9