



US00D888368S

(12) **United States Design Patent** (10) **Patent No.:** **US D888,368 S**
Hyera (45) **Date of Patent:** **** Jun. 30, 2020**

(54) **FLEXIBLE BELT**
(71) Applicant: **Marianna L. Hyera**, Silver Spring, MD (US)
(72) Inventor: **Marianna L. Hyera**, Silver Spring, MD (US)
(**) Term: **15 Years**
(21) Appl. No.: **29/704,238**
(22) Filed: **Sep. 3, 2019**
(51) **LOC (12) Cl.** **02-07**
(52) **U.S. Cl.**
USPC **D2/627; D2/859**
(58) **Field of Classification Search**
USPC D2/500, 624–629, 631, 639, 959;
D3/224, 226; D11/3, 5; D21/662, 692;
D24/190; D29/101.1, 101.3, 101.5;
D30/152
CPC .. A41F 9/002; A44C 5/0053; A45F 2003/006;
B60R 2022/06; B60R 22/00
See application file for complete search history.

D746,051 S 12/2015 Conway
D843,523 S 3/2019 Young
2013/0025030 A1* 1/2013 Verbakel A41F 11/16
2/311
2015/0040294 A1* 2/2015 Varvasovsky-Hutton
A44B 11/04
2/336
2019/0029372 A1* 1/2019 Zhang A44C 5/0015
2019/0200693 A1* 7/2019 Bishop A41F 9/002

OTHER PUBLICATIONS

Gray Cable Management Magnetic Speedy-Wrap by UT. Wayfair.com. Jul. 18, 2017. Accessed on Dec. 10, 2019.*
Watch Band w/ Magnetic Closure by Mambate USA Inc. Accessed on Dec. 10, 2019.*
Mean Gene “Free Flight” Belt. Product page [online]. Guncraft USA, 2015 [retrieved on Aug. 19, 2019]. <URL: http://guncraftusa.com/product/mean-gene-free-flight-belt/>.

* cited by examiner

Primary Examiner — Kevin K Rudzinski
Assistant Examiner — Clare Ann Gannon

(57) **CLAIM**

The ornamental design for a flexible belt, as shown and described.

DESCRIPTION

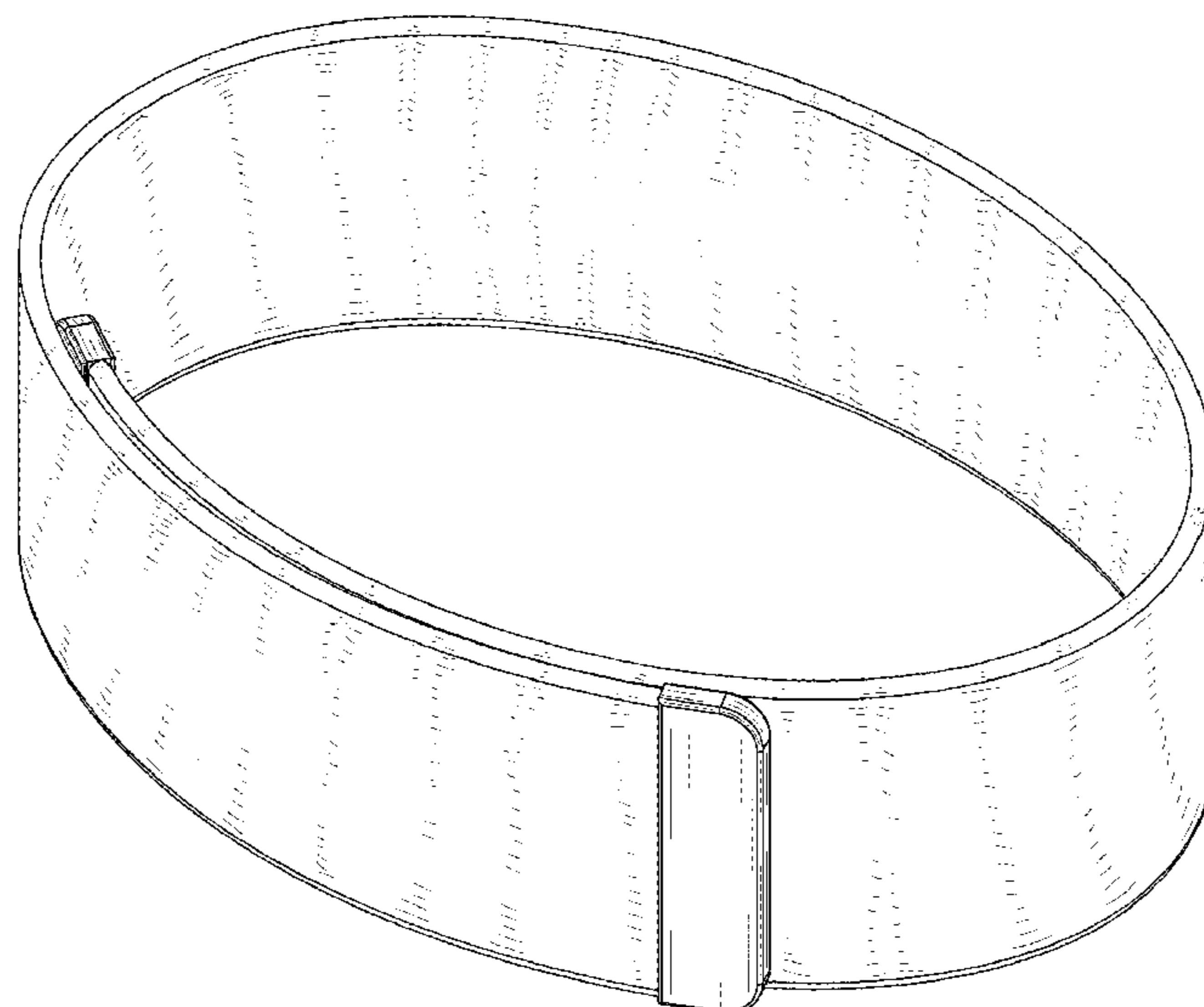
FIG. 1 is a top-front-left perspective view of a flexible belt showing my new design;
FIG. 2 is a bottom-rear-right perspective view thereof;
FIG. 3 is a front elevational view thereof;
FIG. 4 is a rear elevational view thereof;
FIG. 5 is a left side elevational view thereof;
FIG. 6 is a right side elevational view thereof;
FIG. 7 is a top plan view thereof;
FIG. 8 is a bottom plan view thereof; and,
FIG. 9 is a cross sectional view thereof, taken along line 9-9 in FIG. 2.

1 Claim, 9 Drawing Sheets

(56) **References Cited**

U.S. PATENT DOCUMENTS

D10,265 S * 10/1877 Lang A41F 11/16
D11/5
D94,775 S 3/1935 Poulin
D359,158 S 6/1995 Miramontes
5,970,526 A * 10/1999 Weathers A41F 9/002
2/311
D538,036 S 3/2007 Buck
D605,276 S 12/2009 Beardmore
D610,799 S 3/2010 Masse
D659,947 S 5/2012 Mouquet
8,225,626 B1 * 7/2012 Blau G09F 3/005
40/586
D707,917 S * 7/2014 James A41F 11/16
D2/627
D738,771 S * 9/2015 Devries G09F 3/005
D11/3



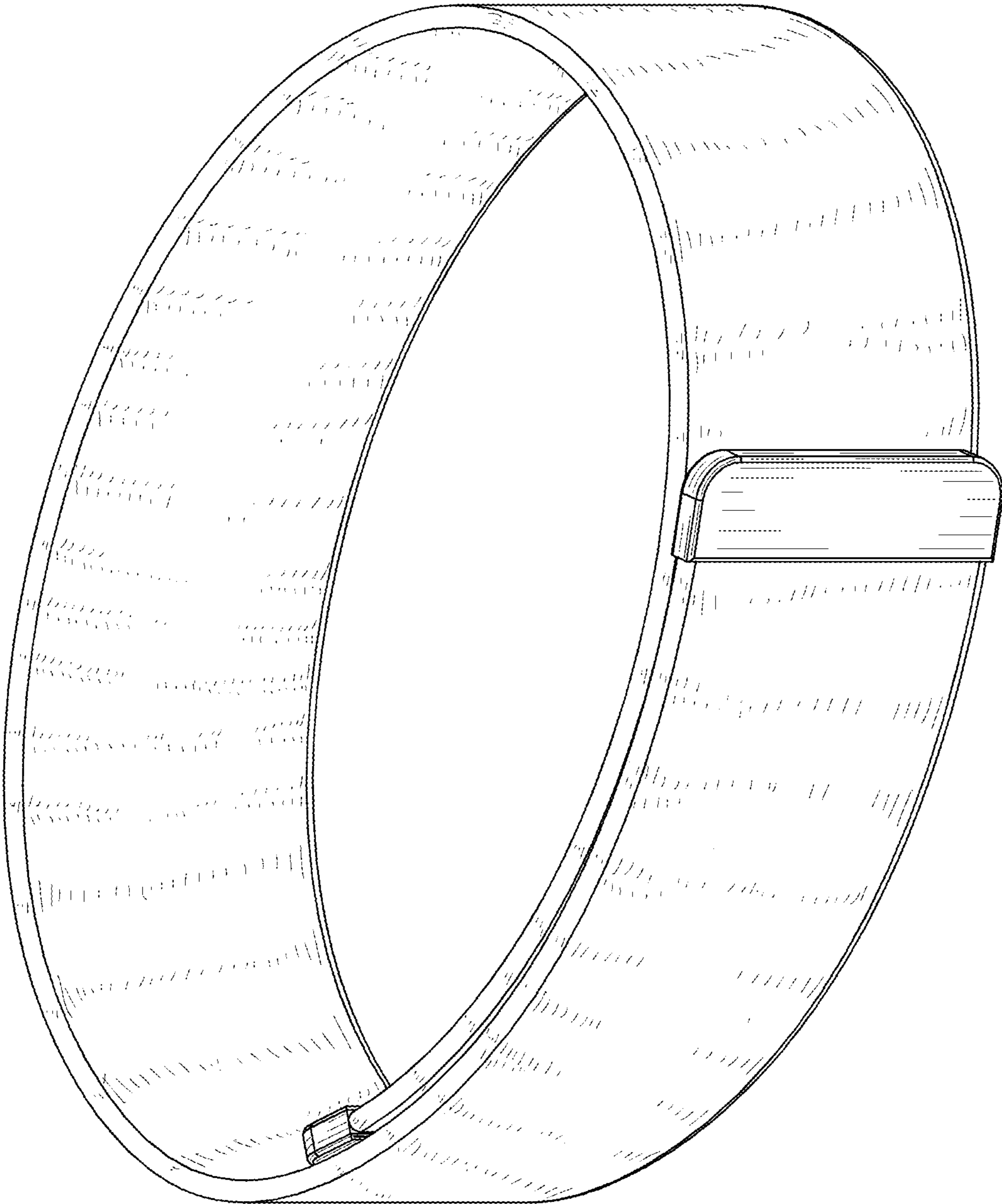


FIG. 1

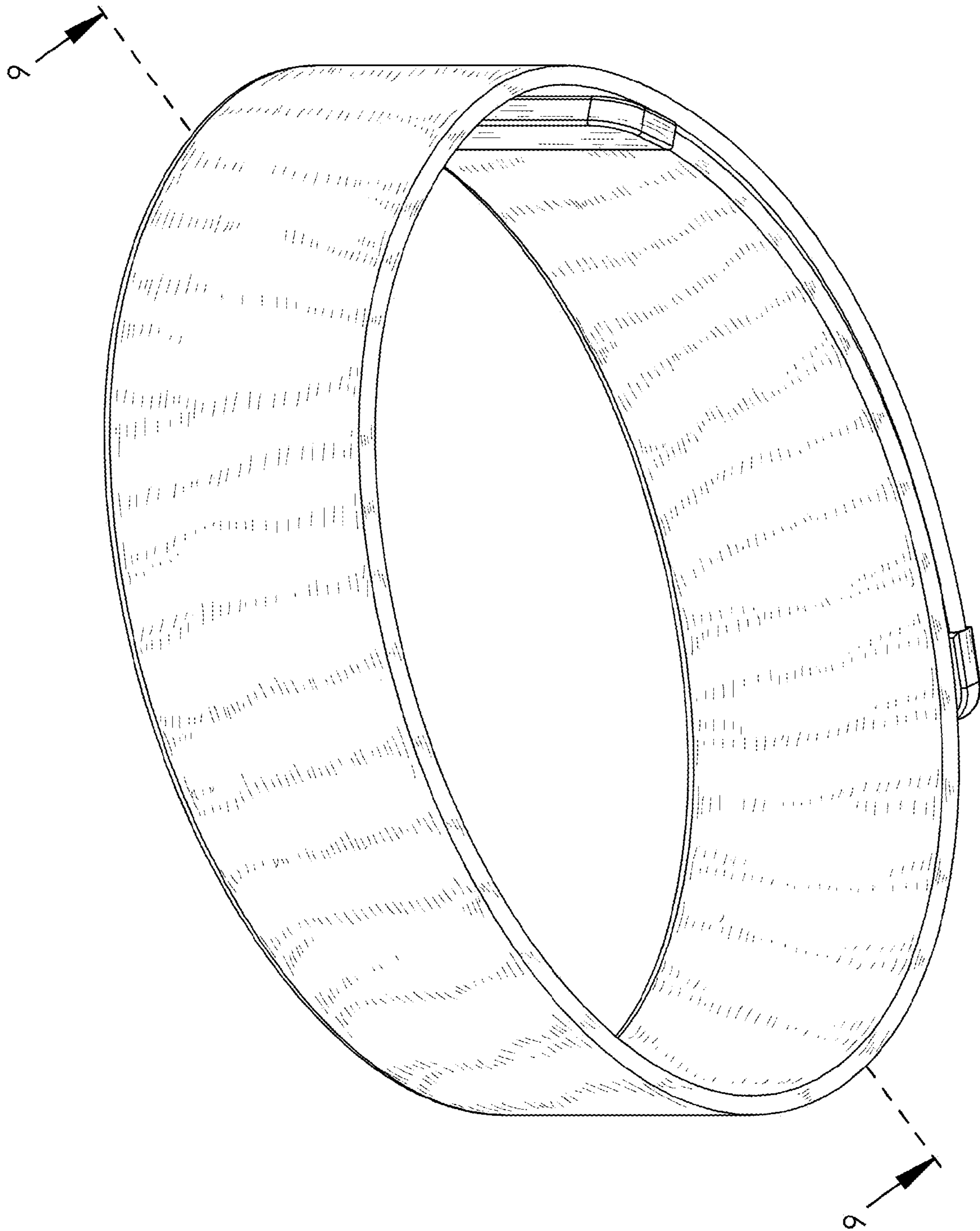


FIG. 2

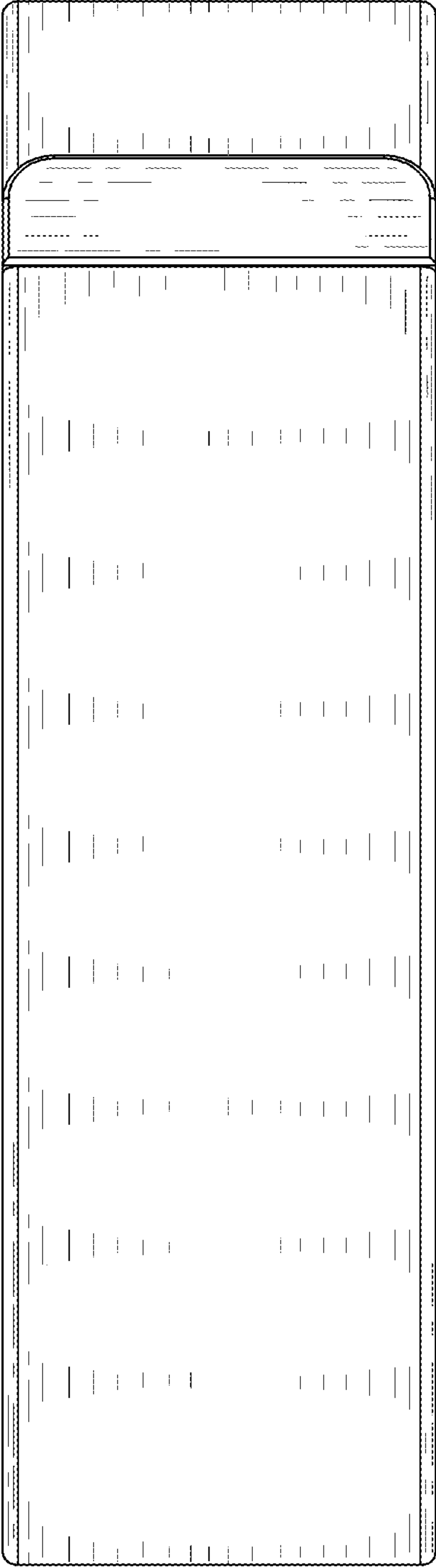


FIG. 3

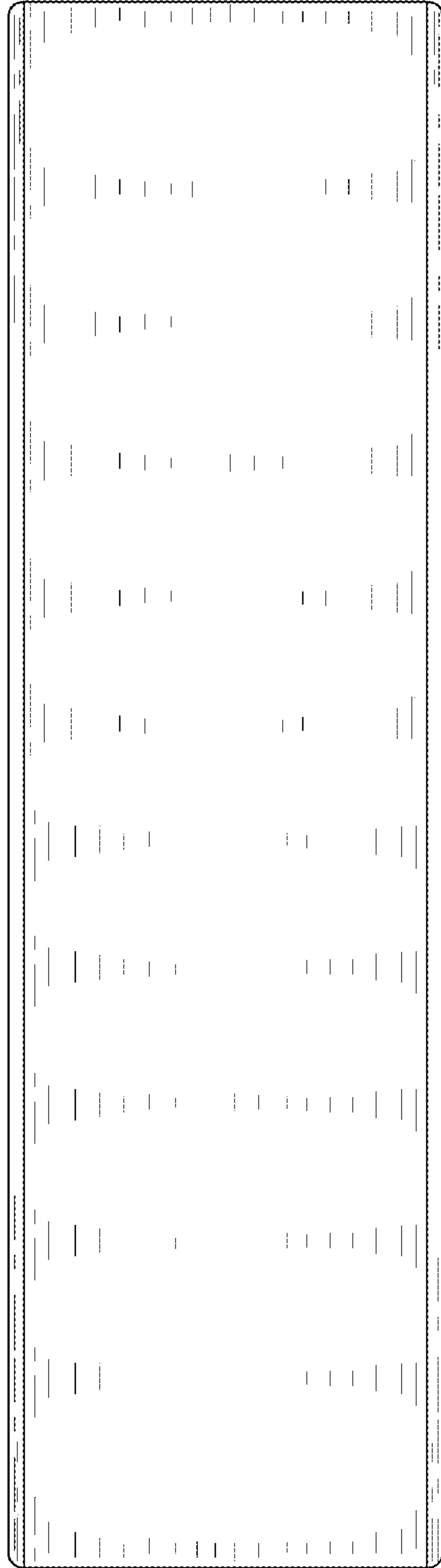


FIG. 4

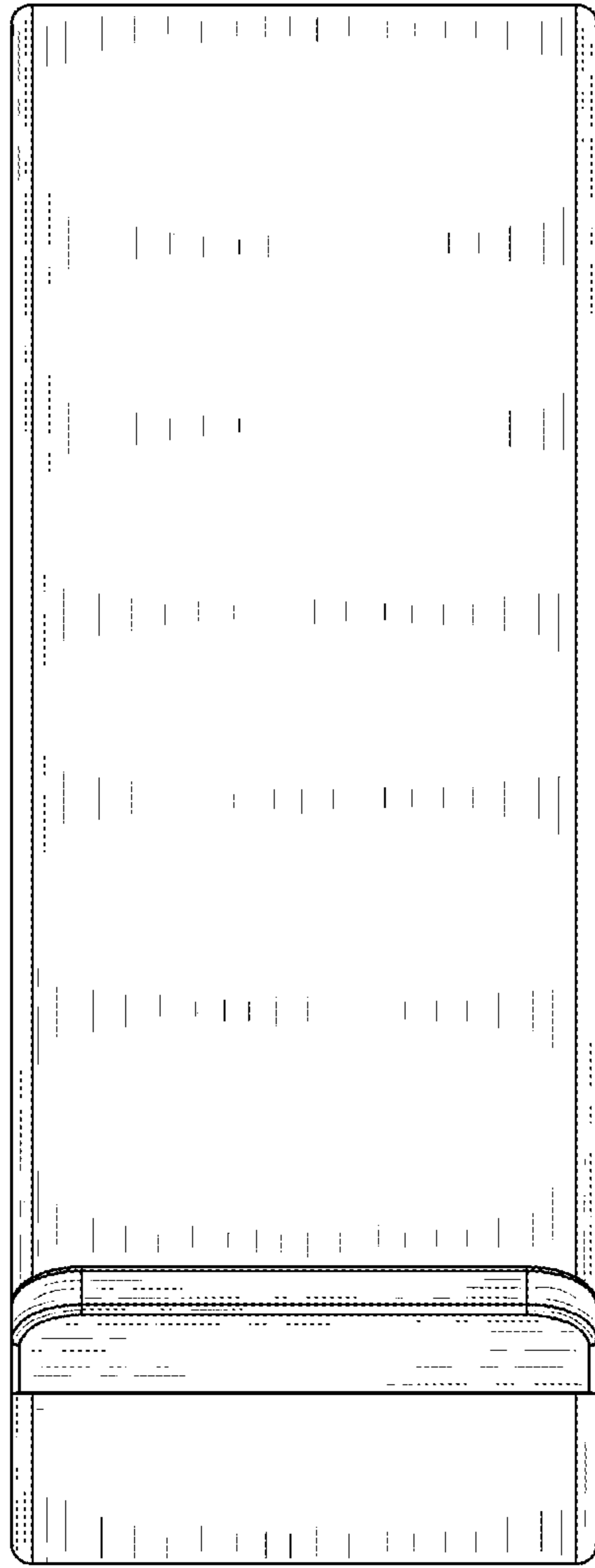


FIG. 5

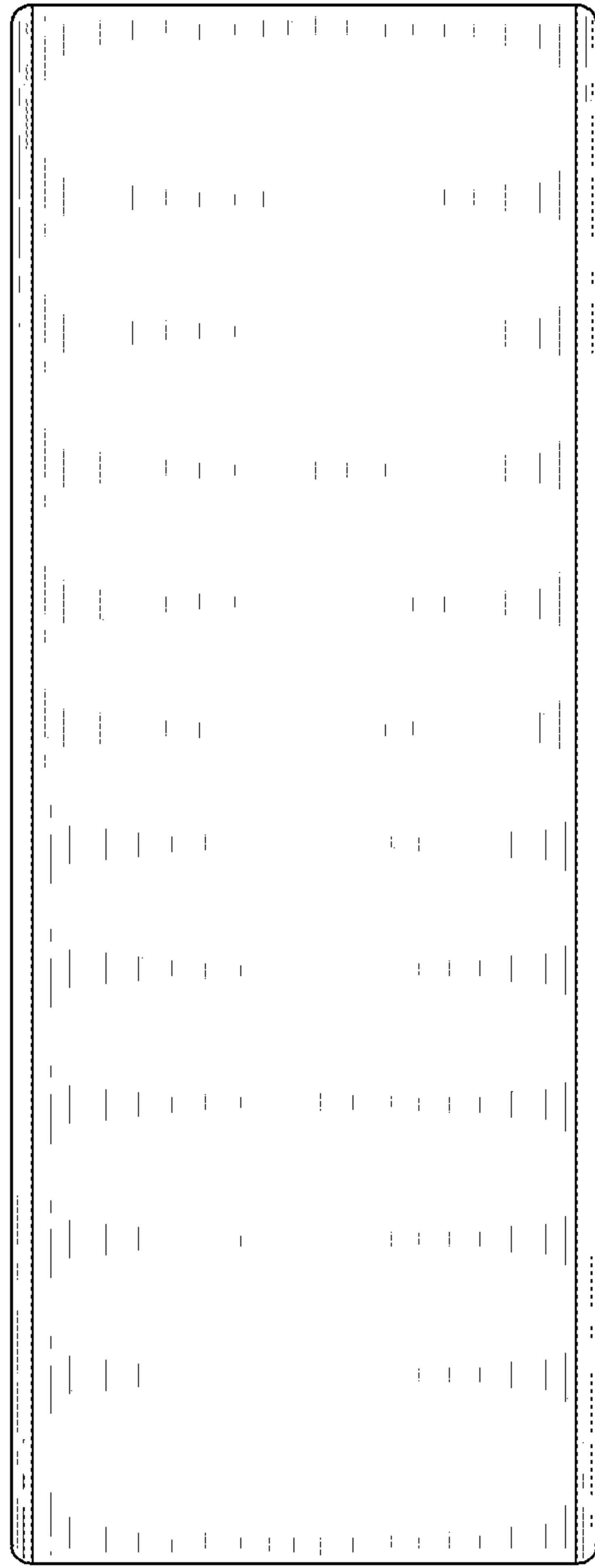


FIG. 6

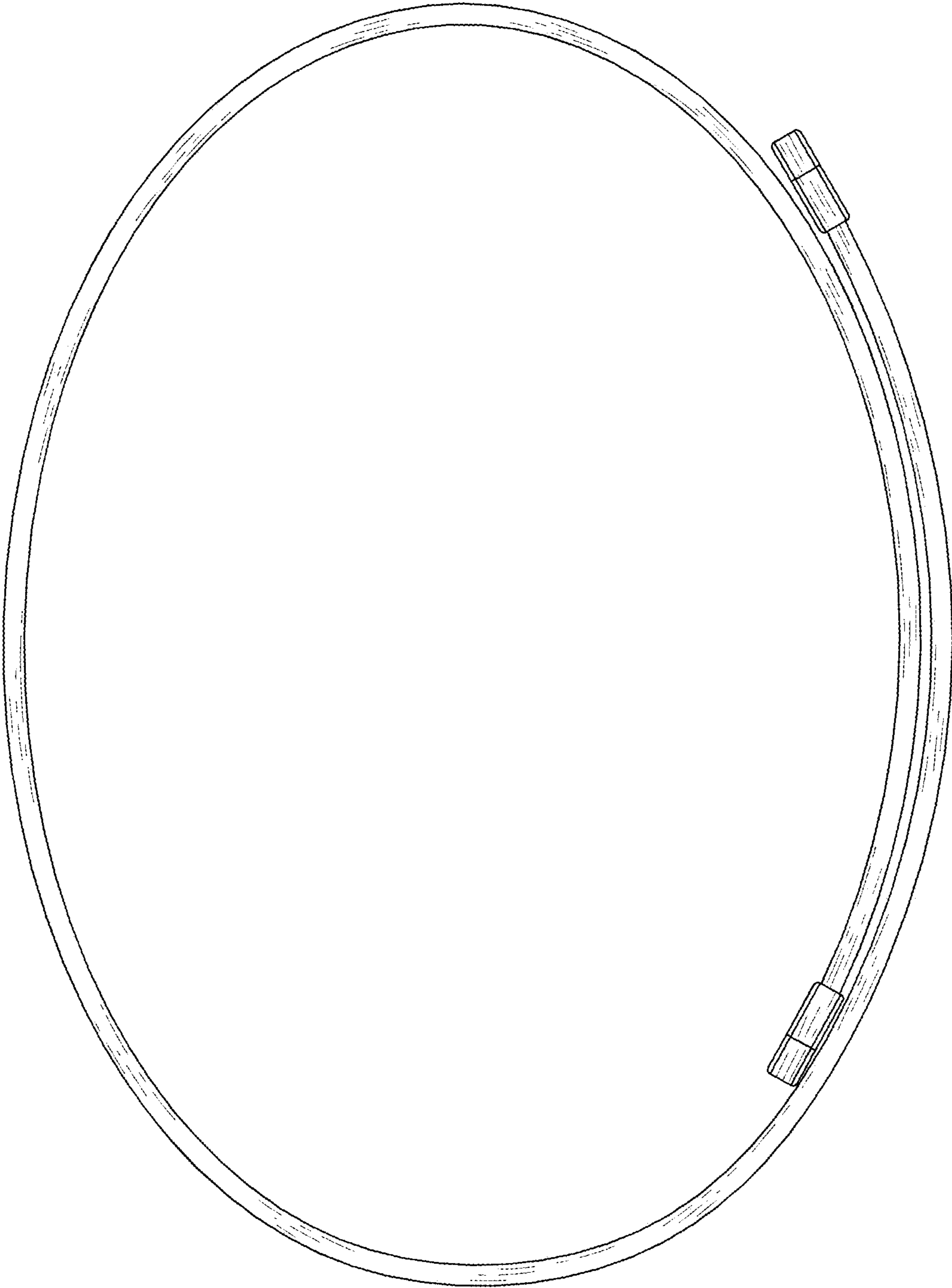


FIG. 7

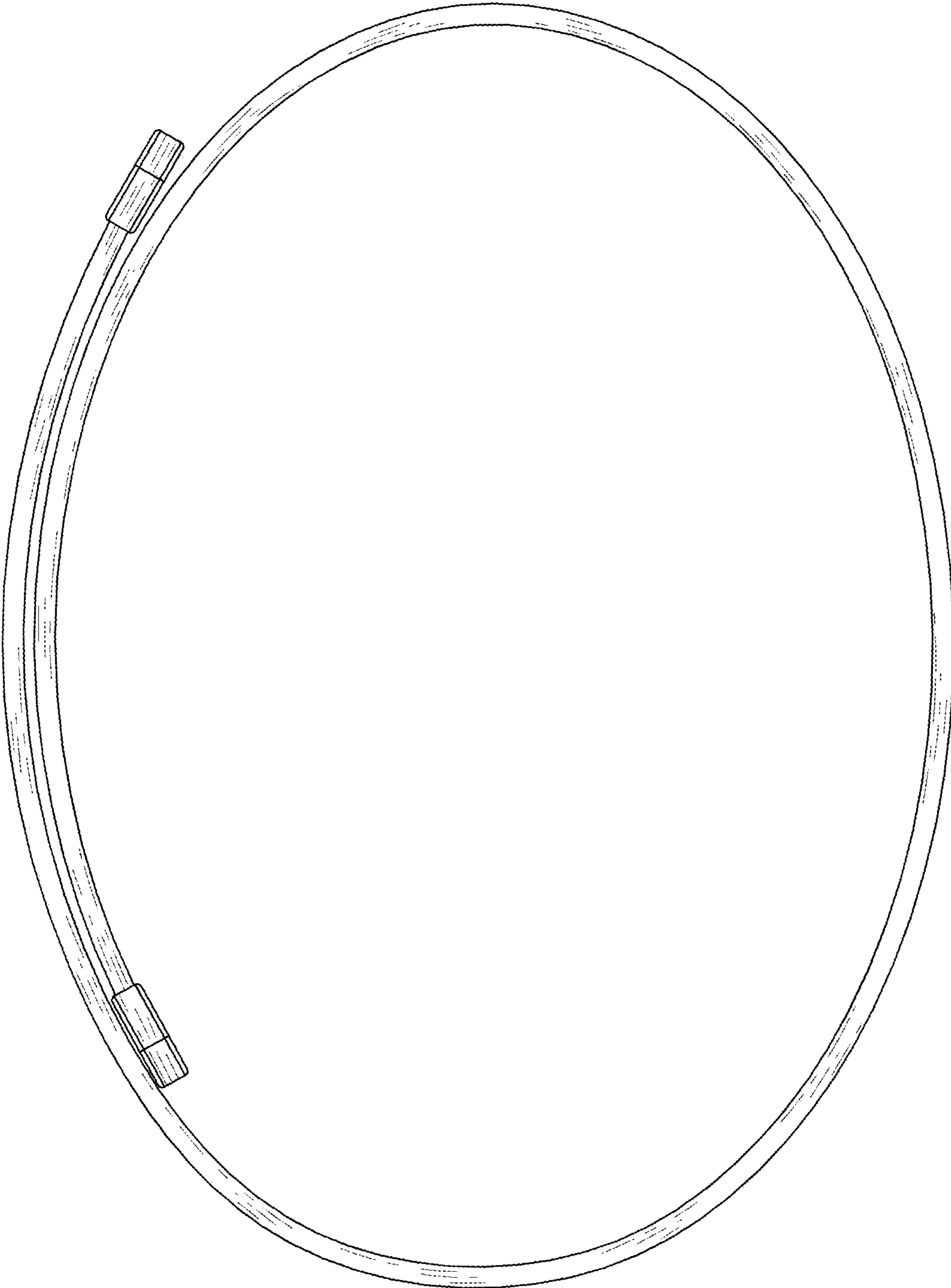


FIG. 8

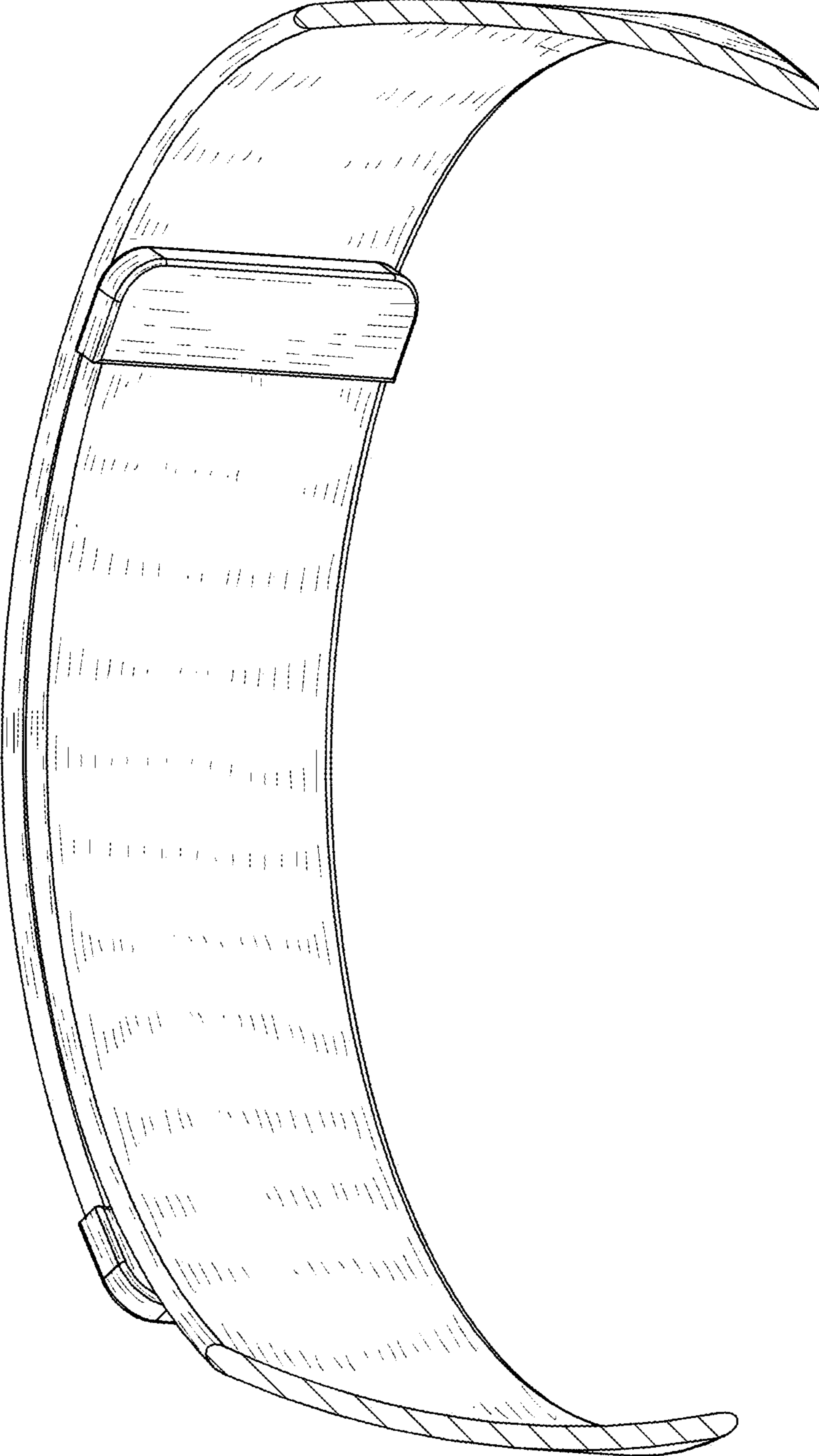


FIG. 9