



US00D888363S

(12) **United States Design Patent** (10) **Patent No.:** **US D888,363 S**
Cha et al. (45) **Date of Patent:** **** Jun. 23, 2020**

(54) **AUTOMATED TELLER MACHINE**

(56) **References Cited**

(71) Applicant: **Nautilus Hyosung Inc.**, Seoul (KR)

U.S. PATENT DOCUMENTS

(72) Inventors: **Jae Min Cha**, Seongnam-si (KR); **Jae Min Park**, Anyang-si (KR); **Hee Youn Lee**, Gwangju-si (KR)

D394,458 S *	5/1998	Watanabe	D20/10
D401,973 S *	12/1998	Isshiki	D20/10
D419,277 S *	1/2000	Ishii	D99/28
D424,575 S *	5/2000	Wilson	D14/130
D425,875 S *	5/2000	Wilson	D14/130
D530,880 S *	10/2006	Magee	D99/28
D674,985 S *	1/2013	Lee	D14/900
D701,365 S *	3/2014	Kimoto	D99/43
D702,415 S *	4/2014	Kimoto	D99/43
D782,148 S *	3/2017	Rohan	D99/28
D792,049 S *	7/2017	Oh	D99/28
D803,507 S *	11/2017	Park	D99/28
D825,133 S *	8/2018	Park	D99/28
D825,134 S *	8/2018	Birnie	D99/28
D833,704 S *	11/2018	Kraft	D99/28
D839,529 S *	1/2019	Nelson	D99/28

(73) Assignee: **Nautilus Hyosung Inc.**, Seoul (KR)

(**) Term: **15 Years**

(21) Appl. No.: **29/631,458**

(22) Filed: **Dec. 29, 2017**

(30) **Foreign Application Priority Data**

Jul. 5, 2017 (KR) 30-2017-0030993

(51) **LOC (12) Cl.** **99-00**

(52) **U.S. Cl.**
USPC **D99/28**

(58) **Field of Classification Search**
USPC D99/28, 34, 35, 36, 43, 99;
D14/300-302, 305, 307, 900-902;
D18/3.1-3.3, 4.1-4.6, 12.1-12.3;
D21/324, 325, 329, 369, 370; 101/66;
109/1 R, 1 V, 2, 23, 24.1, 25, 58, 58.5,
109/66; 446/8-13; 705/16, 17, 18, 42,
705/43, 44, 45; 235/51, 379, 380, 381,
235/382, 385.5, 386; 206/0.8, 0.81,
206/0.815, 0.82, 0.84
CPC .. G06Q 20/10; G06Q 20/108; G06Q 20/1085;
G06Q 20/18; G07D 1/00; G07D 1/02;
G07D 1/04; G07D 1/06; G07D 11/00;
G07D 9/002; G07D 9/04; G07F 19/20;
G07F 19/201; G07F 19/202; G07F
19/203; G07F 19/204; G07F 19/105;
G07F 19/21; G07F 19/00; G07F 7/04;
G07F 5/00; G07F 1/00; E05G 1/006;
A63H 3/00; A63H 3/005

See application file for complete search history.

(Continued)

Primary Examiner — Elizabeth J Oswecki

(74) *Attorney, Agent, or Firm* — Fish & Richardson P.C.

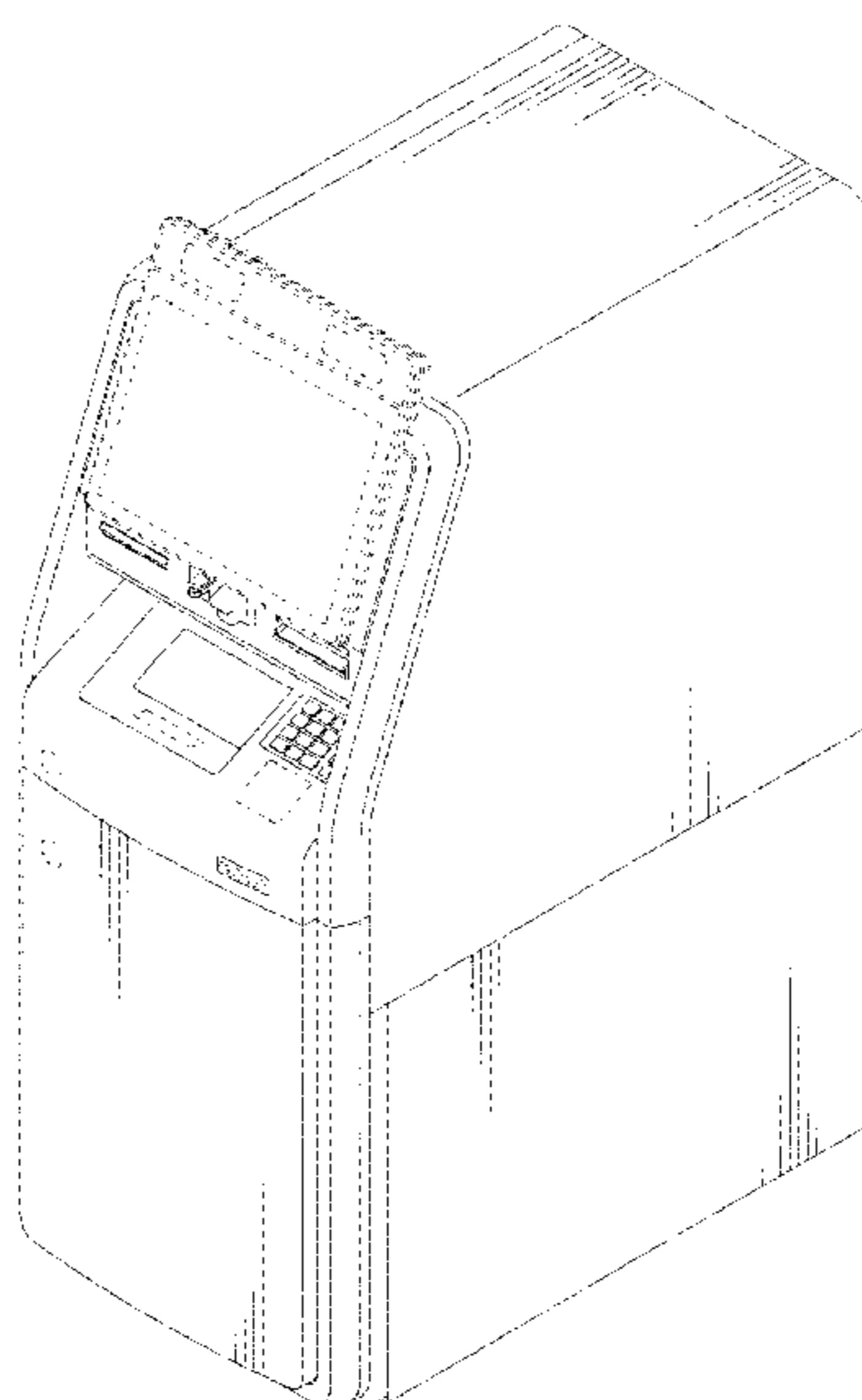
(57) **CLAIM**

The ornamental design for an automated teller machine, as shown and described.

DESCRIPTION

FIG. 1 is a perspective view of an automated teller machine, showing our new design;
FIG. 2 is a front view thereof;
FIG. 3 is a rear view thereof;
FIG. 4 is a left side view thereof;
FIG. 5 is a right side view thereof;
FIG. 6 is a top view thereof; and,
FIG. 7 is a bottom view thereof.
The broken lines shown in the drawings represent portions of the automated teller machine, that form no part of the claimed design.

1 Claim, 6 Drawing Sheets



(56)

References Cited

U.S. PATENT DOCUMENTS

D853,077 S * 7/2019 Ku D99/28
2004/0262379 A1* 12/2004 Gomes G06Q 30/06
235/379
2006/0073883 A1* 4/2006 Franks, Jr. G06Q 30/02
463/25
2008/0265019 A1* 10/2008 Artino G06Q 20/1085
235/379
2008/0296365 A1* 12/2008 Schliebe G01G 19/52
235/379
2009/0057398 A1* 3/2009 Douglass G07F 19/20
235/379

* cited by examiner

Fig 1

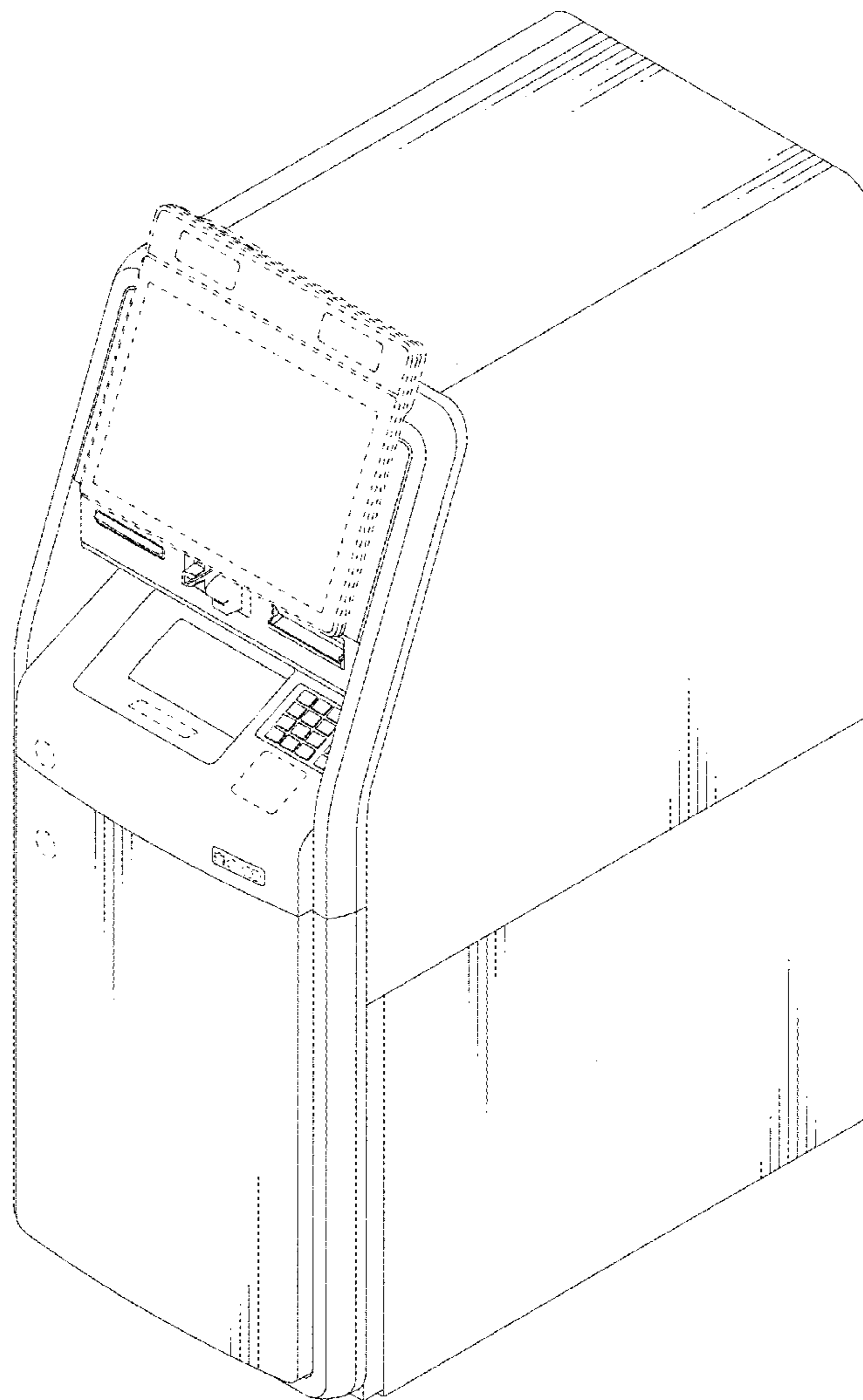


Fig 2

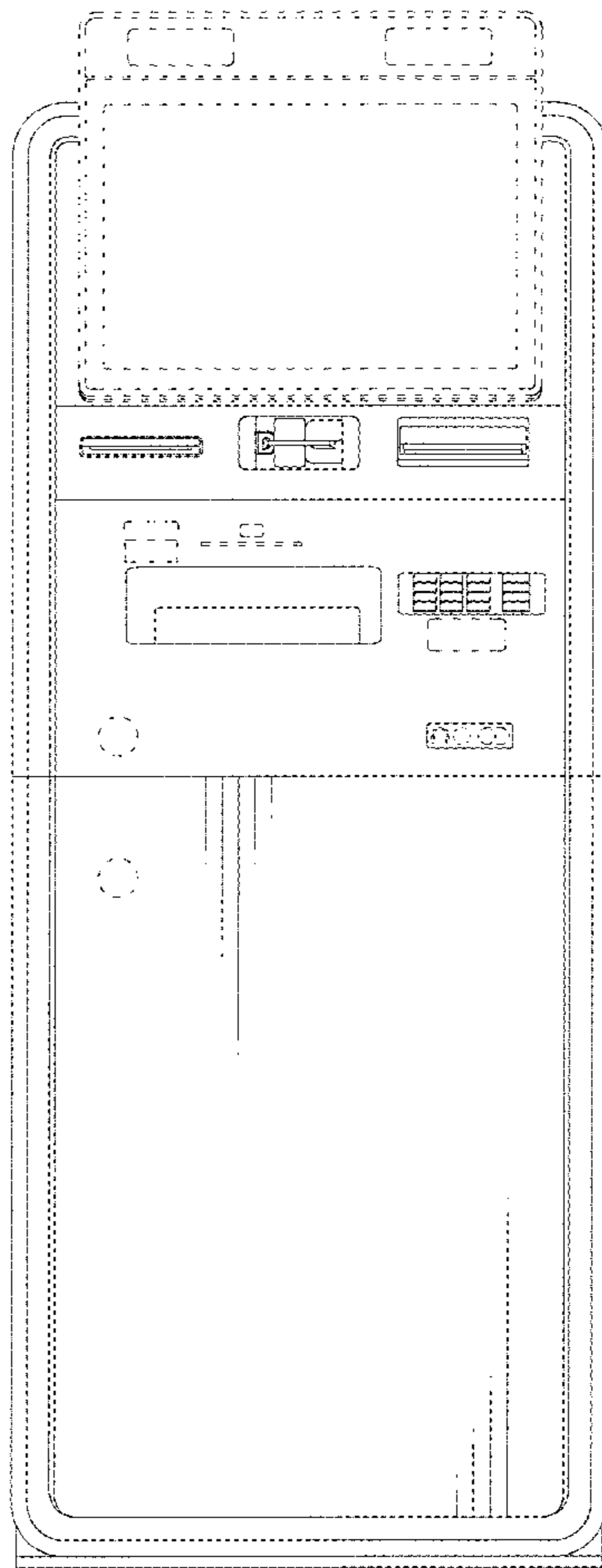


Fig 3

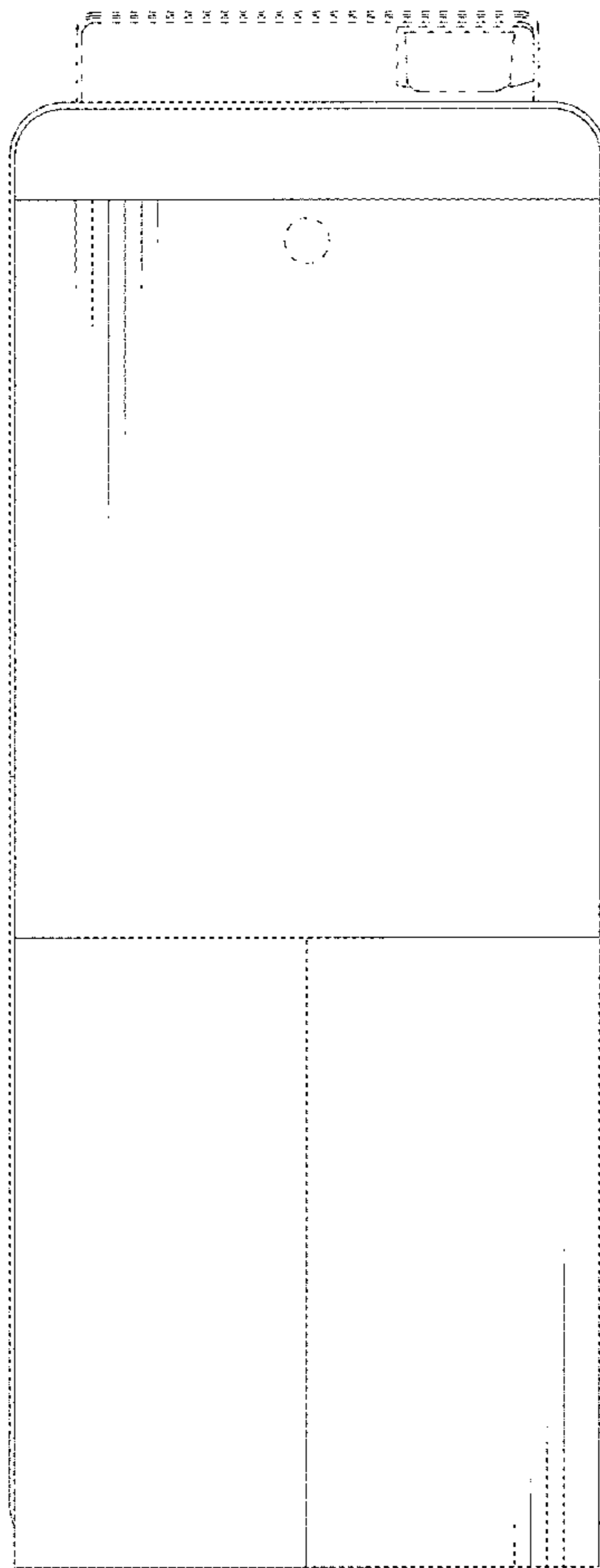


Fig 4

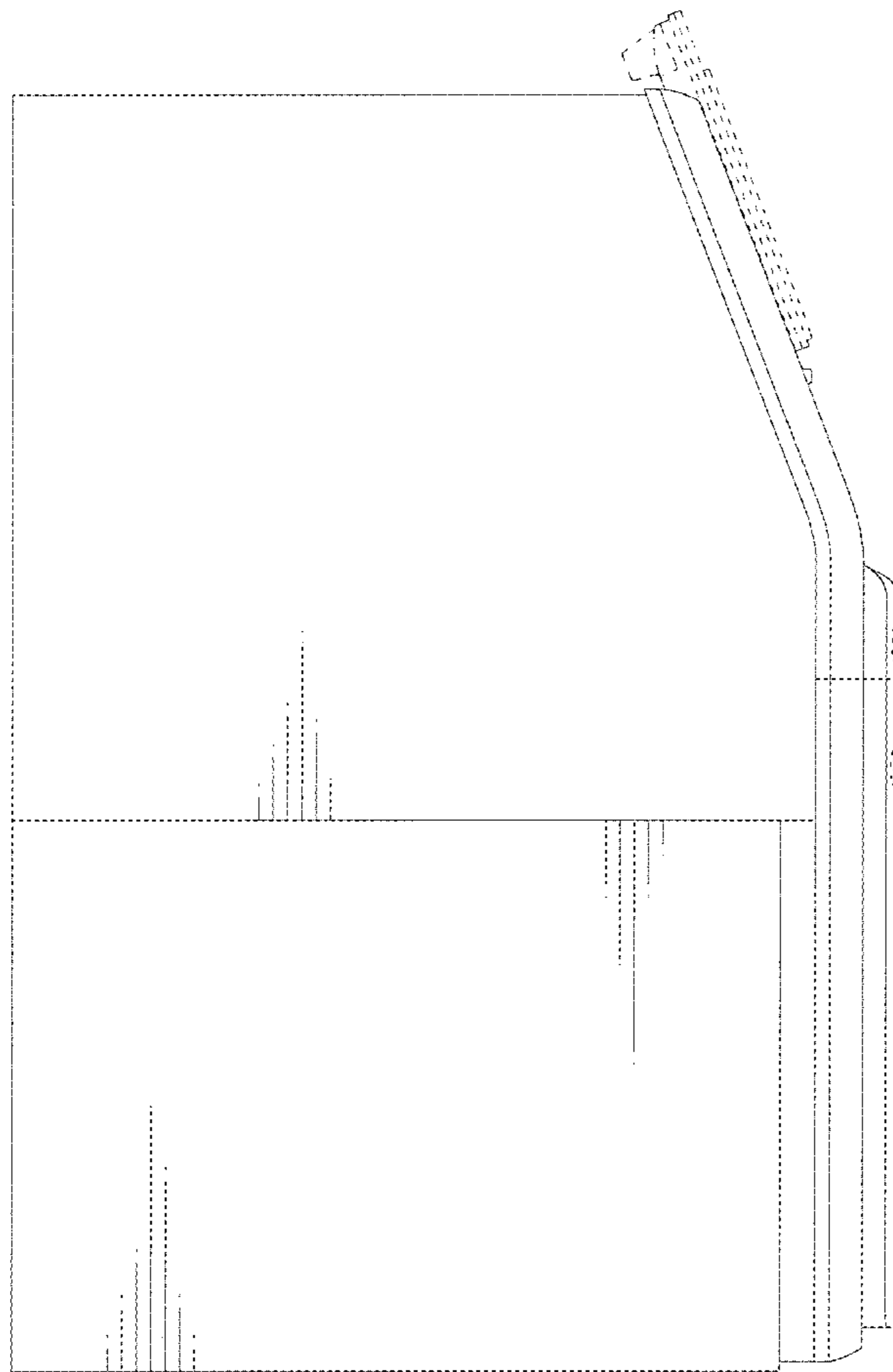


Fig 5

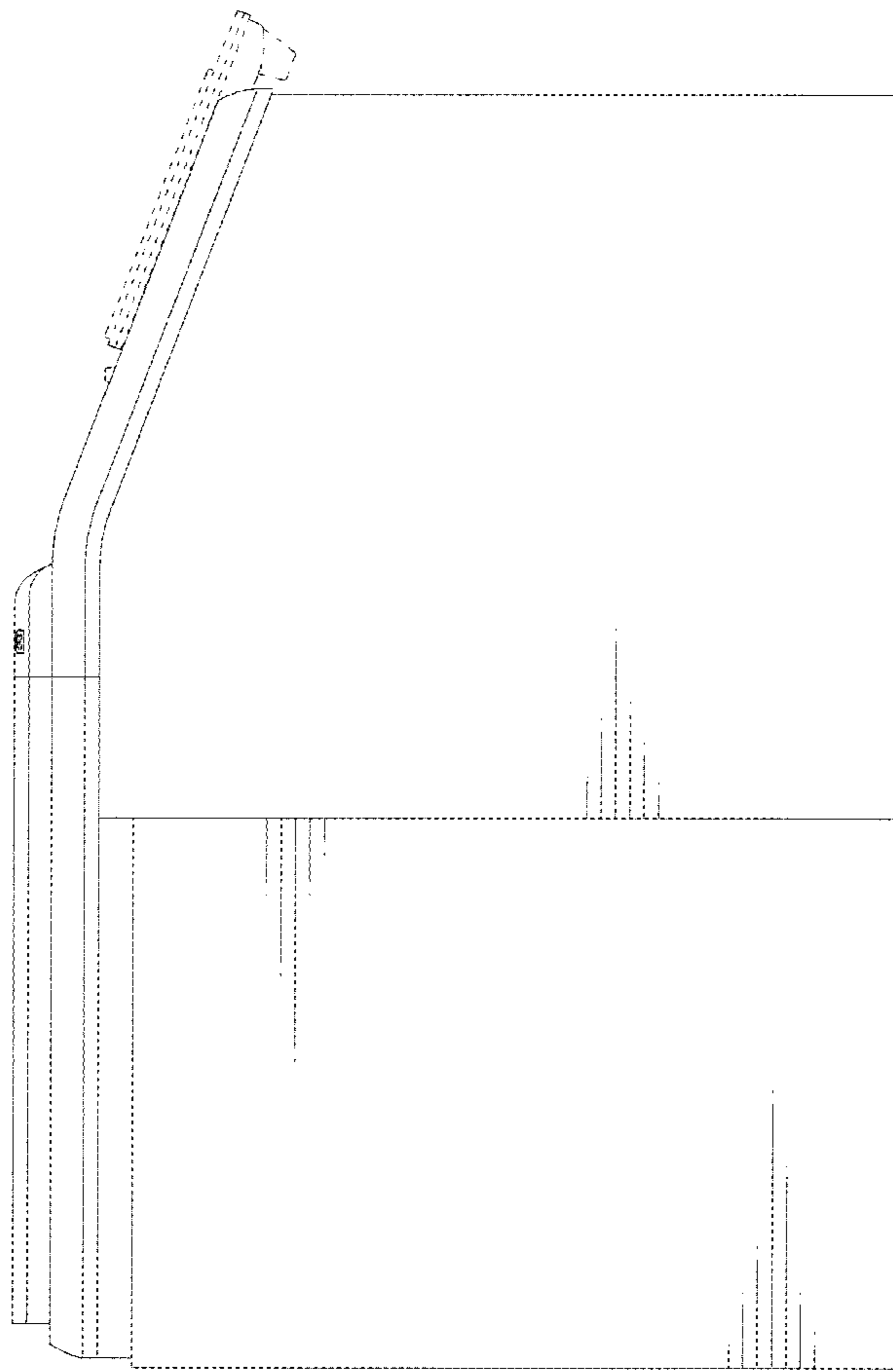


Fig 6

