



US00D888362S

(12) **United States Design Patent**
Atkinson

(10) **Patent No.:** **US D888,362 S**

(45) **Date of Patent:** **** *Jun. 23, 2020**

- (54) **CASKET**
- (71) Applicant: **J.C. Atkinson and Son Limited**,
Washington, Tyne and Wear (GB)
- (72) Inventor: **Julian Marcus Atkinson**, Morpeth
(GB)
- (73) Assignee: **J.C. Atkinson and Son Limited**,
Washington, Tyne and Wear (GB)
- (*) Notice: This patent is subject to a terminal disclaimer.
- (**) Term: **15 Years**
- (21) Appl. No.: **29/624,132**
- (22) Filed: **Oct. 30, 2017**
- (51) **LOC (12) Cl.** **03-01**
- (52) **U.S. Cl.**
USPC **D99/1**
- (58) **Field of Classification Search**
USPC D99/1, 2, 3, 4, 6, 7, 8, 9, 10, 11, 12, 13,
D99/14, 15, 16
CPC A61G 19/00; A61G 21/00; A61G 17/00;
A61G 17/001; A61G 17/002; A61G
17/004; A61G 17/007; A61G 17/04;
A61G 17/02; A61G 99/00; A62B 33/00
See application file for complete search history.

- (56) **References Cited**
U.S. PATENT DOCUMENTS
976,213 A * 11/1910 Pye A61G 17/00
27/35
1,026,513 A * 5/1912 Jones A61G 17/00
27/35
1,261,707 A * 4/1918 Cook A61G 17/00
27/2
1,365,634 A * 1/1921 Tyree A61G 17/00
27/8

- 1,668,282 A * 5/1928 Moore A61G 21/00
248/167
- 1,920,101 A * 7/1933 Nagel E04H 13/00
52/142
- 4,930,197 A * 6/1990 McClive A61G 17/00
27/10
- D309,104 S * 7/1990 Solomon D3/272
- 5,709,016 A * 1/1998 Gulick A61G 17/00
27/14
- D393,523 S * 4/1998 Tambussi D9/432
(Continued)

OTHER PUBLICATIONS

Mr. ShrinkWrap Specializes in, posted Jun. 27, 2014 [online],
retrieved Apr. 11, 2019, retrieved from internet, <<https://mrshrinkwrap.com/crating-and-packing>>.*

(Continued)

Primary Examiner — Michelle E. Wilson
Assistant Examiner — Messina L Smith
(74) *Attorney, Agent, or Firm* — Carmody Torrance
Sandak & Hennessey LLP

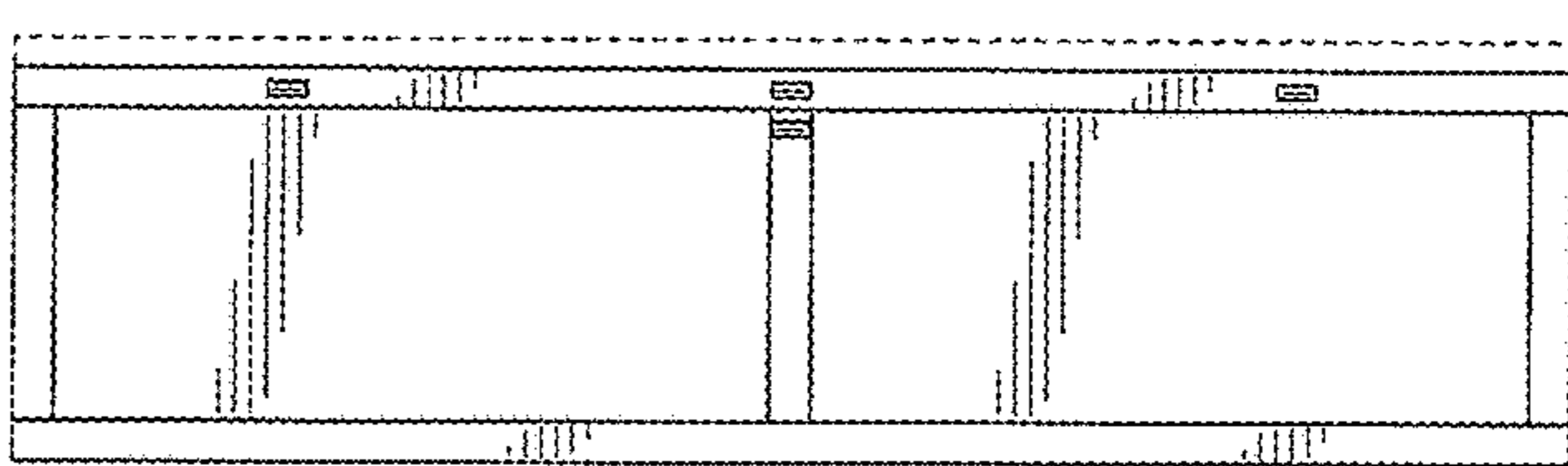
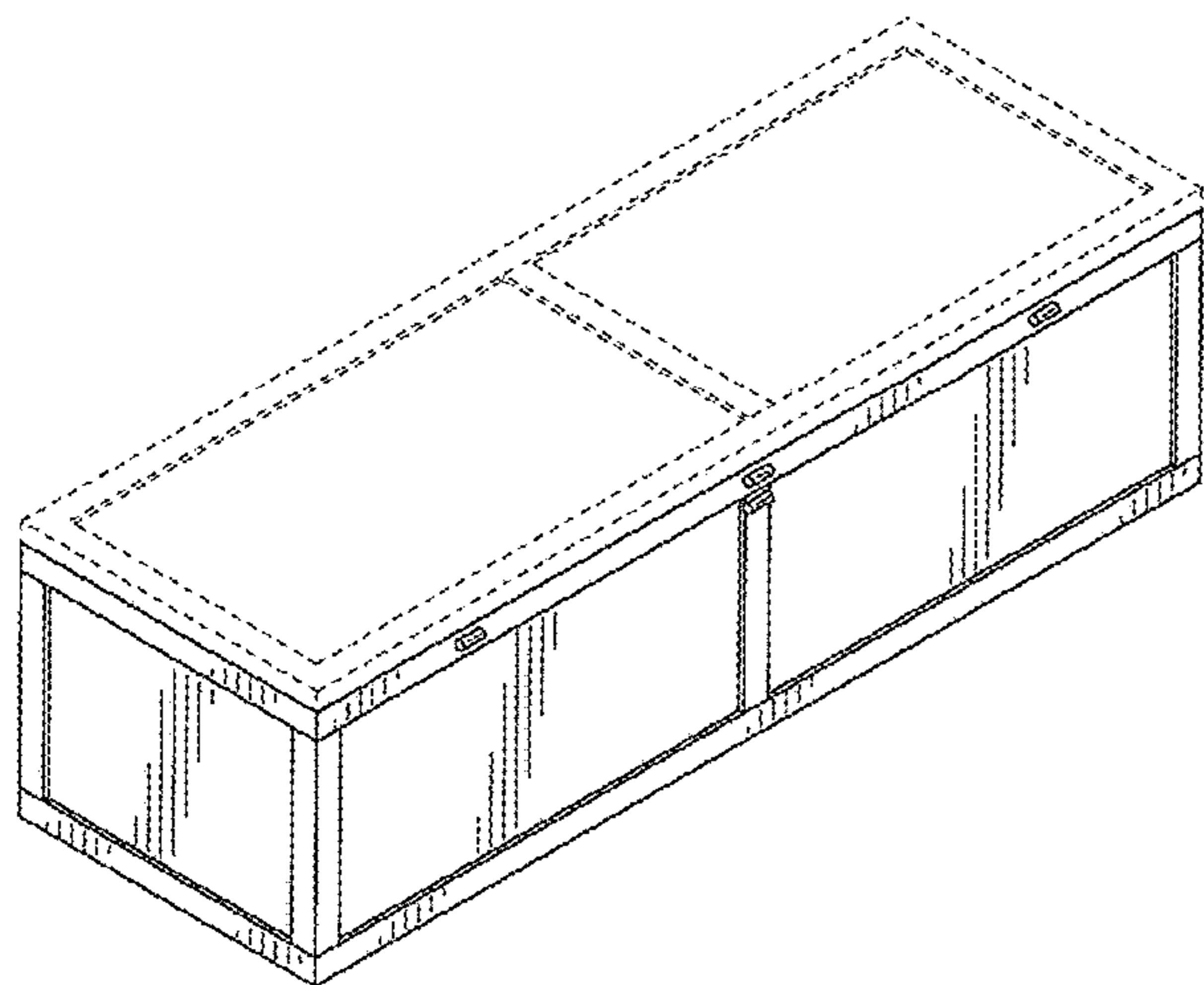
(57) **CLAIM**

The ornamental design for a casket, as shown and described.

DESCRIPTION

FIG. 1 is a side perspective view of a casket showing my new design;
FIG. 2 is a left side view thereof;
FIG. 3 is a right side view thereof;
FIG. 4 is a front view thereof;
FIG. 5 is a back view thereof;
FIG. 6 is a top view thereof; and,
FIG. 7 is a bottom thereof.
The broken lines shown in the drawings depict portions of the casket that form no part of the claimed design. The broken lines shown in FIG. 7 define a region therein that forms no part of the claimed design.

1 Claim, 3 Drawing Sheets



(56)

References Cited

U.S. PATENT DOCUMENTS

5,771,548 A * 6/1998 Jenkins A61G 17/00
220/680
5,815,898 A * 10/1998 Jenkins A61G 17/00
27/4
D400,683 S * 11/1998 Saaf D99/1
6,065,193 A * 5/2000 Foley, Jr.
6,202,270 B1 * 3/2001 Bowman A61G 17/00
27/1
D571,523 S * 6/2008 Sauder D99/2
D620,223 S * 7/2010 Houde D99/8
2002/0053120 A1 * 5/2002 Cox A61G 17/00
27/4
2008/0034562 A1 * 2/2008 Wensley A61G 17/00
27/3
2010/0088866 A1 * 4/2010 Fifer A61G 17/00
27/4
2010/0218350 A1 * 9/2010 De La Fuente A61G 17/00
27/7
2011/0296655 A1 * 12/2011 Brownlow A61G 17/02
27/16
2016/0199244 A1 * 7/2016 Cox A61G 17/0073
27/4
2016/0228318 A1 * 8/2016 Hoijng A61G 17/02

OTHER PUBLICATIONS

Shipping Crate, no posting date given [online], retrieved Apr. 11, 2019, retrieved from internet, <<http://configrr.com/product/shipping-crate/>>.*

Global Shipping Crates, posted © 2014 [online], retrieved Apr. 11, 2019, retrieved from internet, <<http://www.bdlsupply.com/custom-solutions/custom-oversized-crates.html>>.*

* cited by examiner

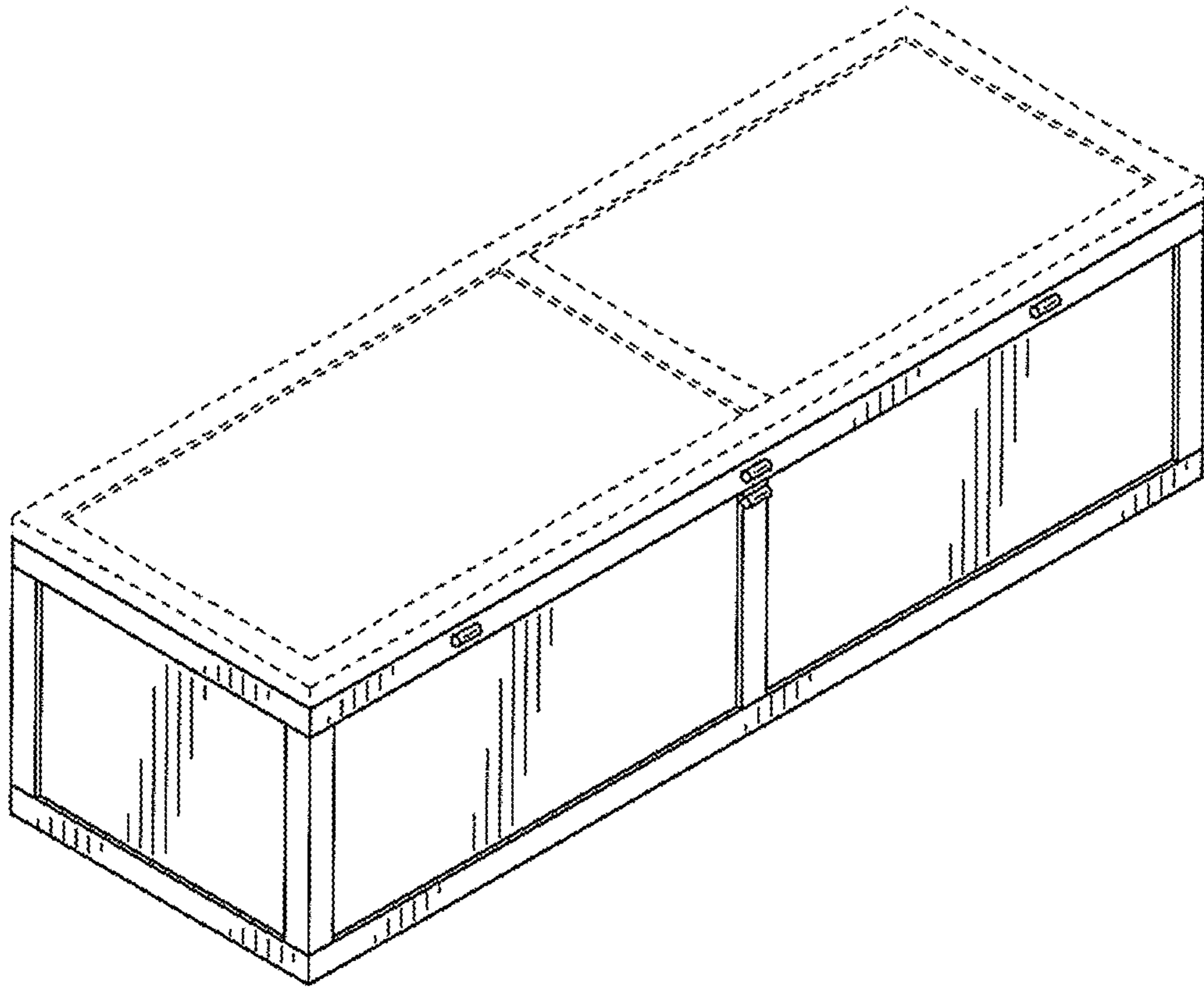


Fig. 1

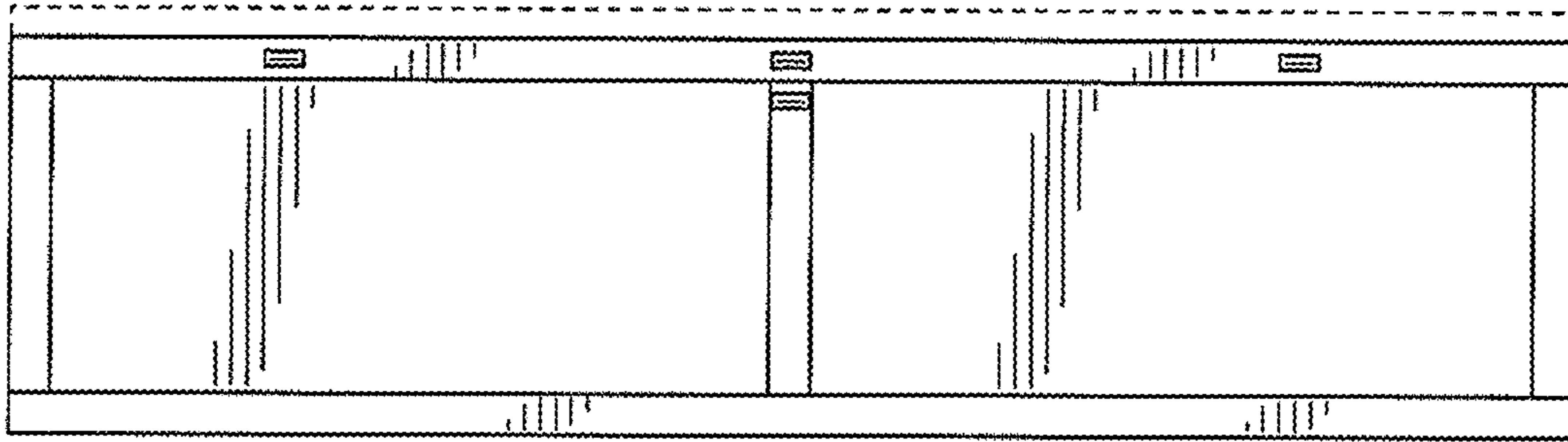


Fig. 2

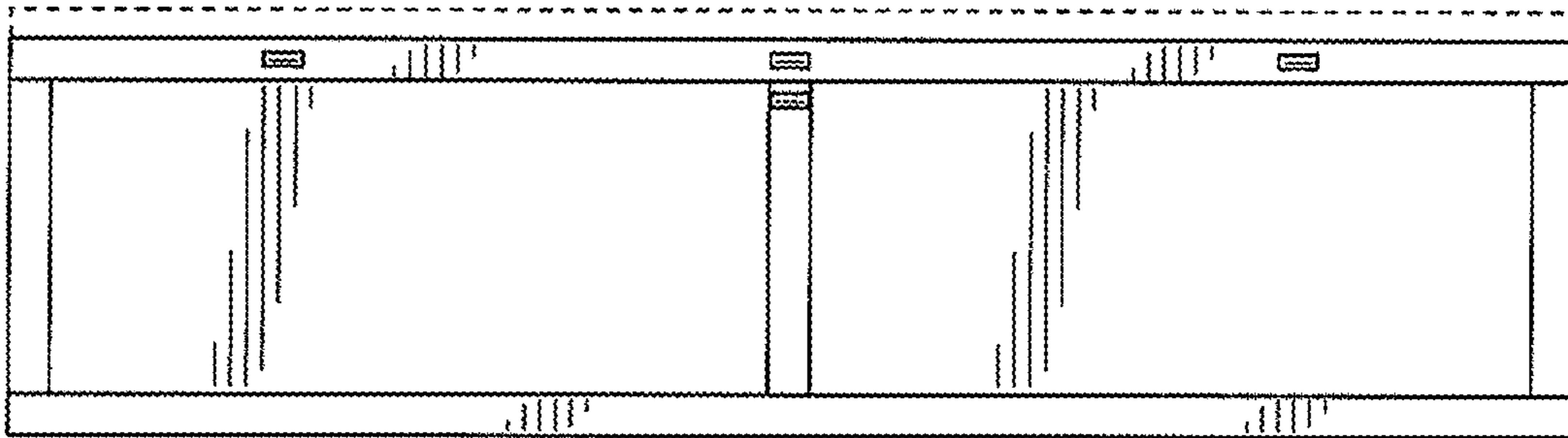


Fig. 3

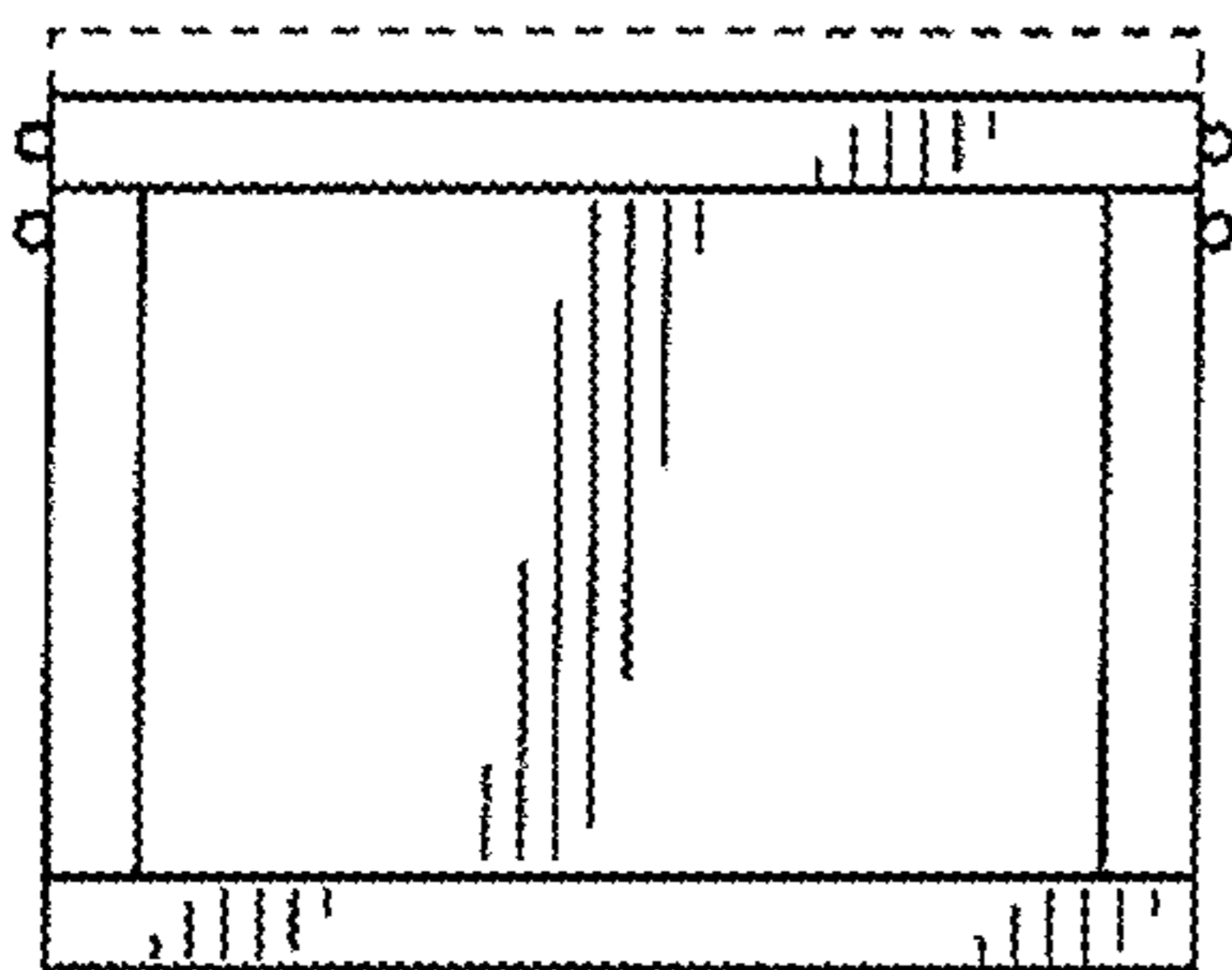


Fig. 4

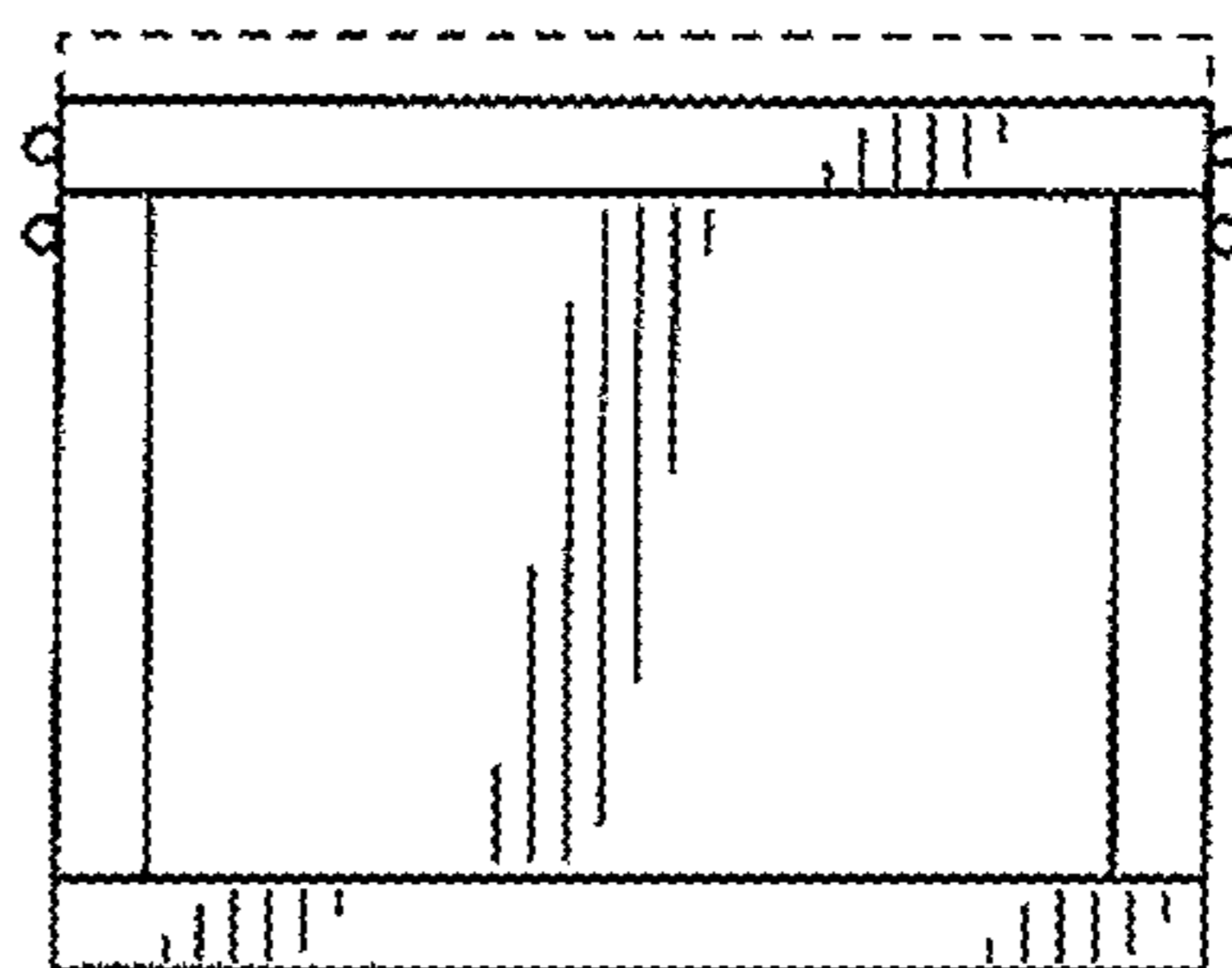


Fig. 5

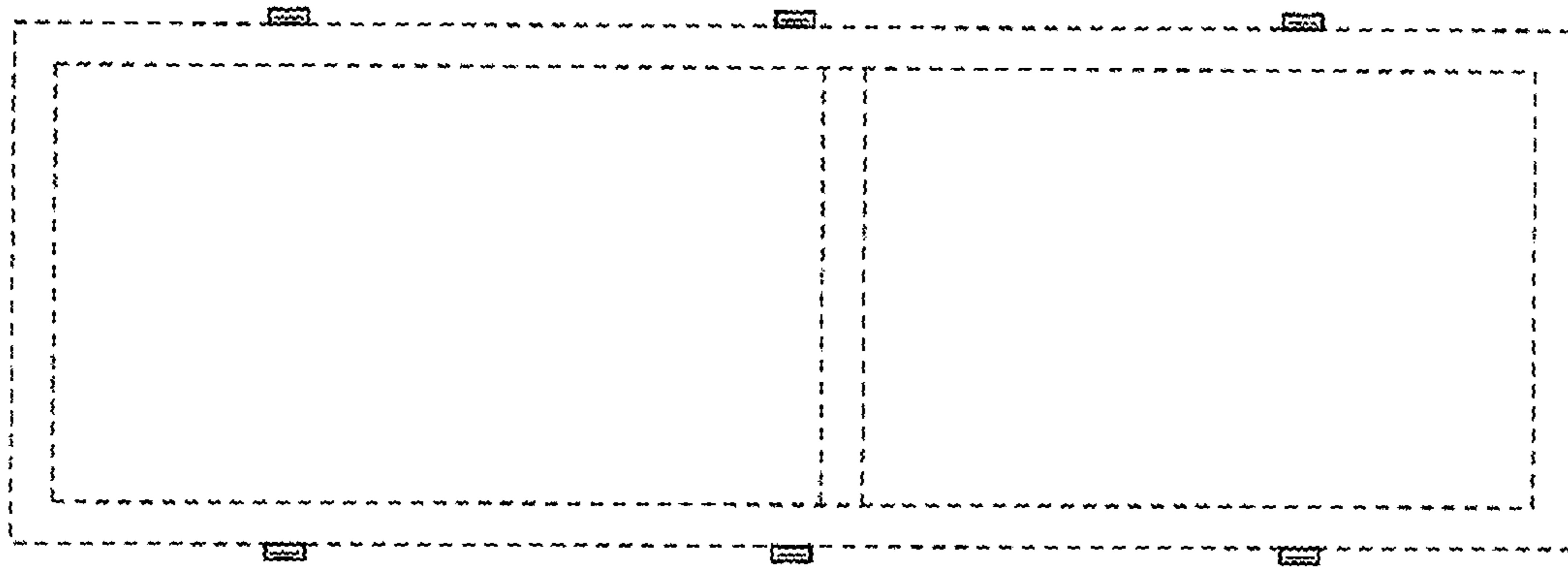


Fig. 6

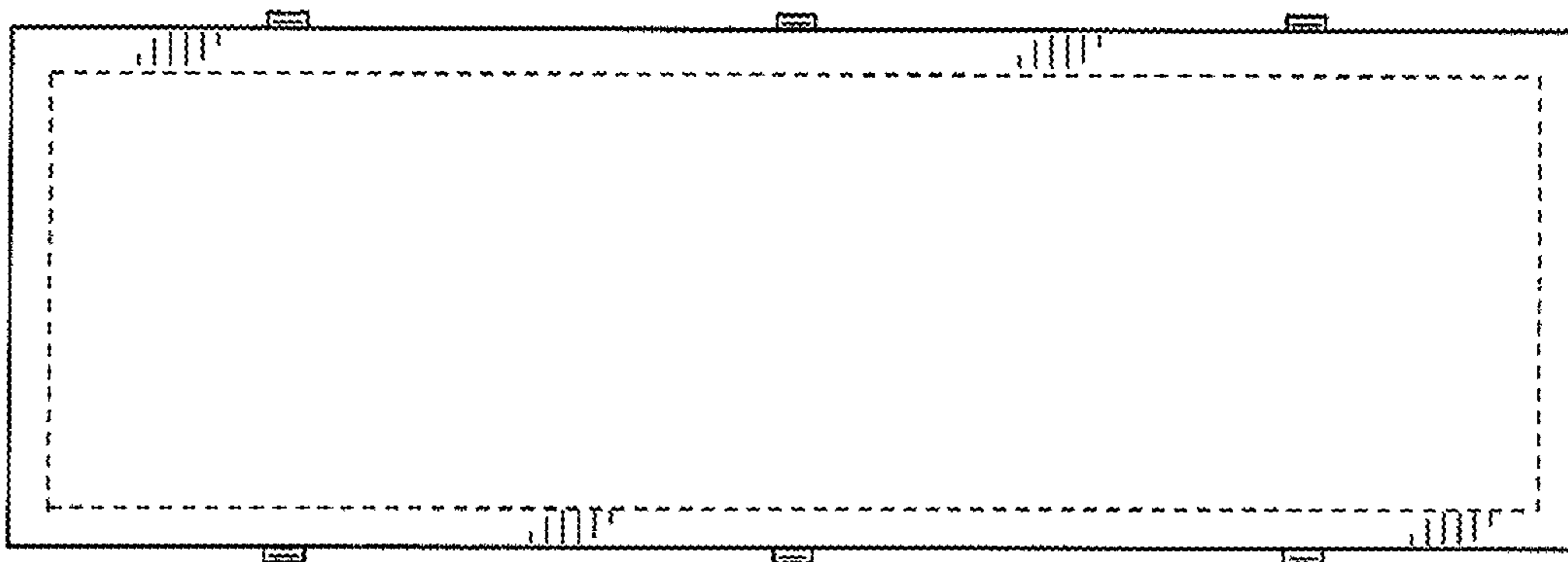


Fig. 7