



US00D888361S

(12) **United States Design Patent**
Zheng

(10) **Patent No.:** **US D888,361 S**

(45) **Date of Patent:** **** Jun. 23, 2020**

- (54) **CLUTCH WRENCH FOR WINCH**
- (71) Applicant: **NINGBO CHIMA WINCH CO., LTD.**, Ningbo (CN)
- (72) Inventor: **Mingkui Zheng**, Ningbo (CN)
- (73) Assignee: **NINGBO CHIMA WINCH CO., LTD.**, Ningbo (CN)
- (**) Term: **15 Years**
- (21) Appl. No.: **29/661,831**
- (22) Filed: **Aug. 31, 2018**
- (51) **LOC (12) Cl.** **12-05**
- (52) **U.S. Cl.**
USPC **D34/35**
- (58) **Field of Classification Search**
USPC D34/32, 33, 35; D8/309; 254/362
CPC ... B66D 1/12; B66D 1/02; B66D 1/14; B66D 1/7478
See application file for complete search history.

- 2015/0190916 A1* 7/2015 Bergman B66D 1/12 279/145
- 2018/0016123 A1* 1/2018 Bruno B66D 1/7478
- 2018/0118528 A1* 5/2018 August H05K 7/1432
- 2018/0127246 A1* 5/2018 Fretz B66D 1/12

OTHER PUBLICATIONS

Warn Zeon 180 to 90 shift handle conversion, <http://www.northridgenation.com/warn-zeon-180-to-90-shift-handle-conversion/>, Google search Apr. 20, 2020 (Year: 2020).*

* cited by examiner

Primary Examiner — Cynthia Ramirez

(74) *Attorney, Agent, or Firm* — Bayramoglu Law Offices LLC

(57) **CLAIM**

The ornamental design for a clutch wrench for winch, as shown and described.

DESCRIPTION

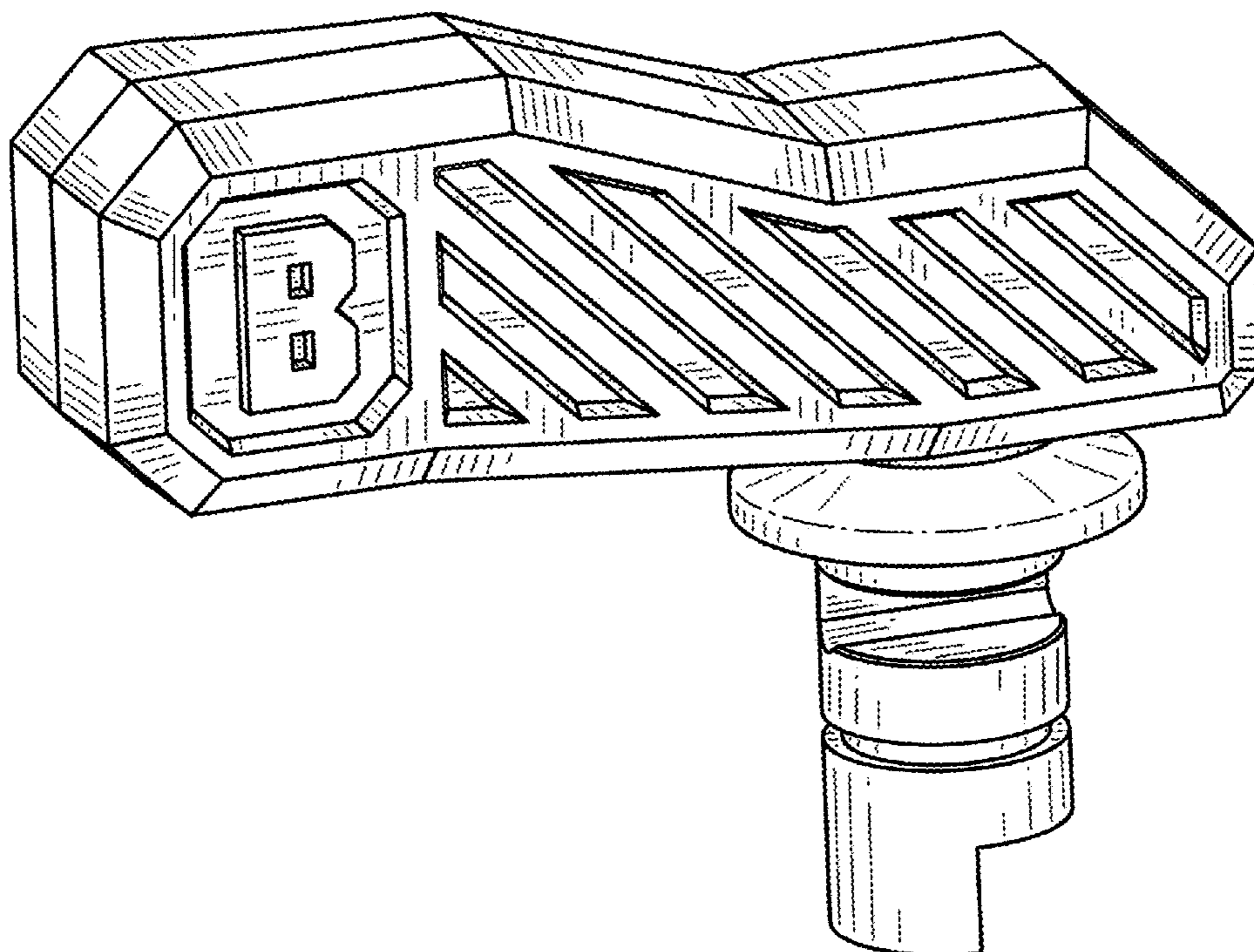
FIG. 1 is a perspective view of a clutch wrench for winch showing the new design;
 FIG. 2 is another perspective view thereof;
 FIG. 3 is a front view thereof;
 FIG. 4 is a rear view thereof;
 FIG. 5 is a left side view thereof;
 FIG. 6 is a right side view thereof;
 FIG. 7 is a top view thereof; and,
 FIG. 8 is a bottom view thereof.

1 Claim, 8 Drawing Sheets

(56) **References Cited**

U.S. PATENT DOCUMENTS

- D305,544 S * 1/1990 Ganter 74/557
- D346,739 S * 5/1994 Tinz D15/142
- D501,975 S * 2/2005 Marsh D34/35
- D595,923 S * 7/2009 Walstrom D34/35
- D822,939 S * 7/2018 Rabu D34/35
- D839,528 S * 1/2019 Huang D34/33
- 2004/0108499 A1* 6/2004 Strom B66D 1/7478 254/362
- 2014/0001427 A1* 1/2014 Fretz B66D 1/12 254/342



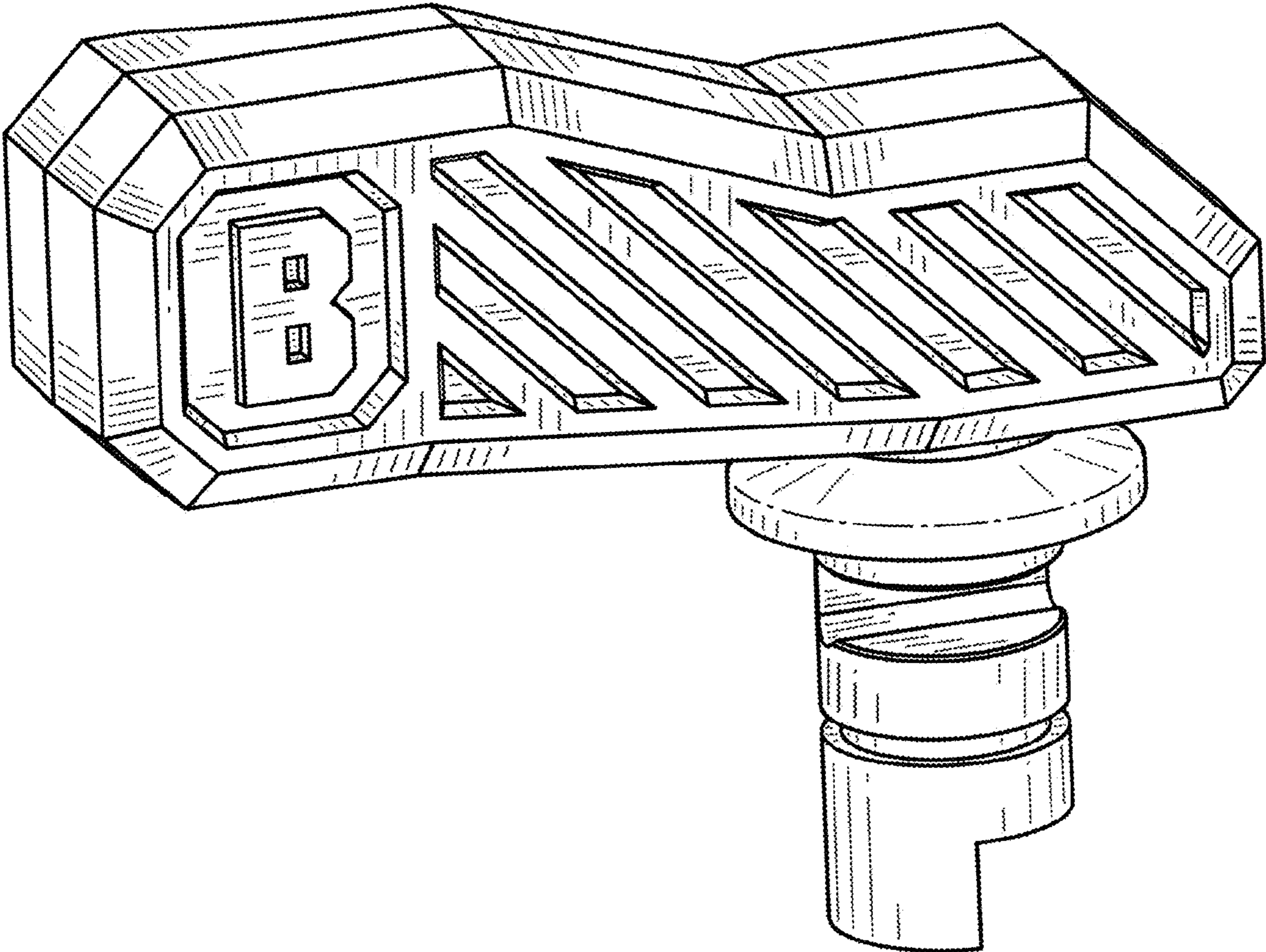


FIG. 1

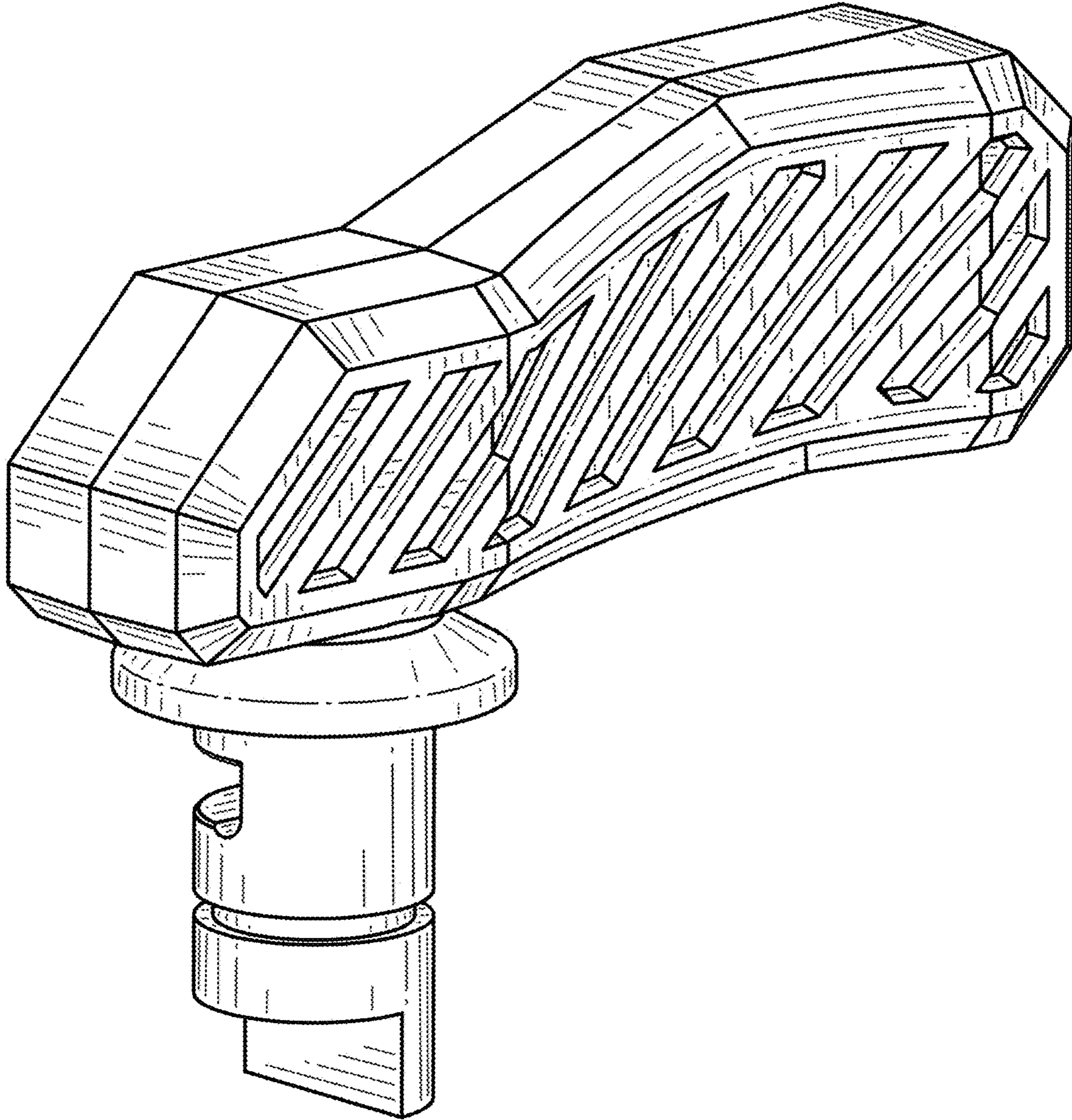


FIG. 2

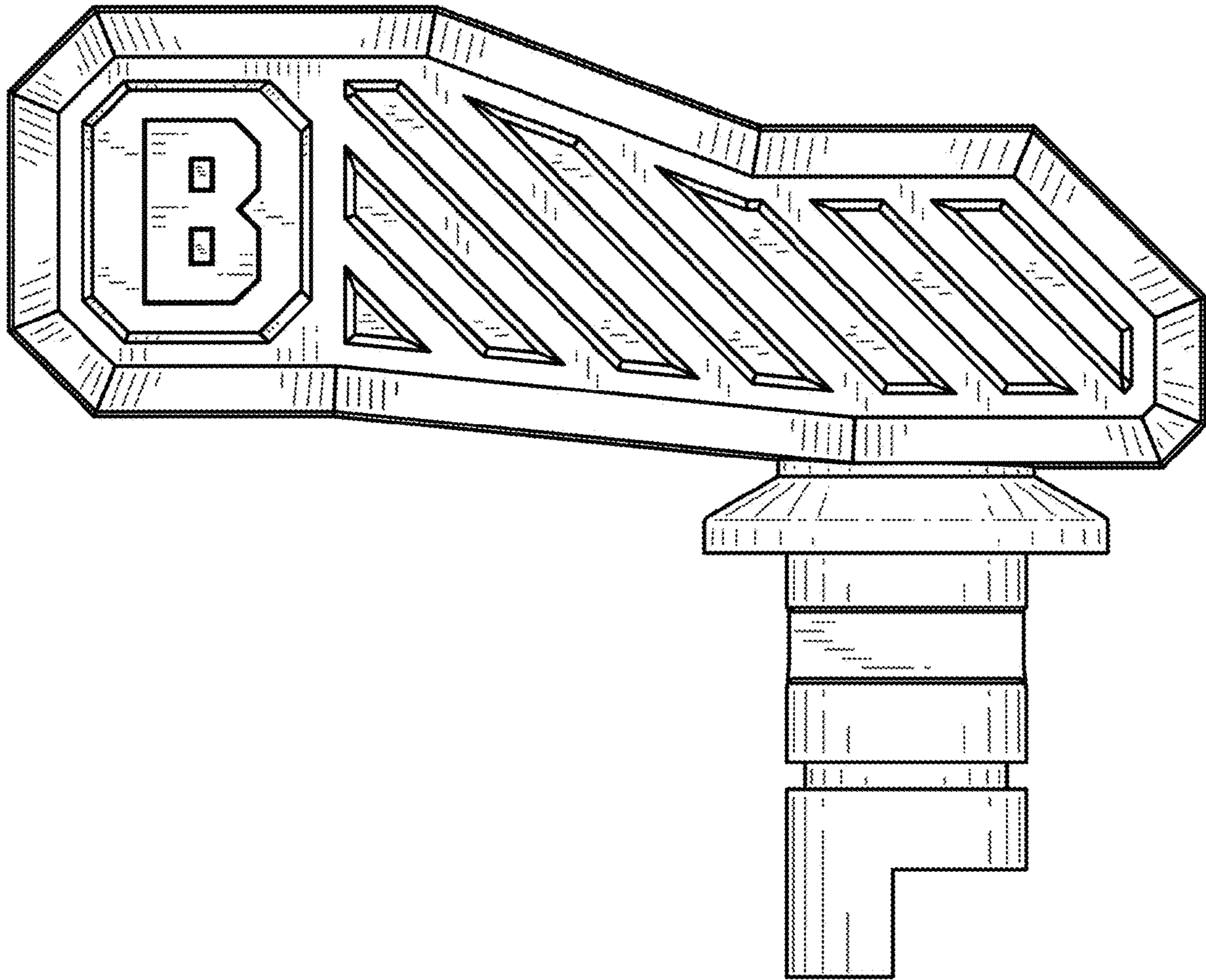


FIG. 3

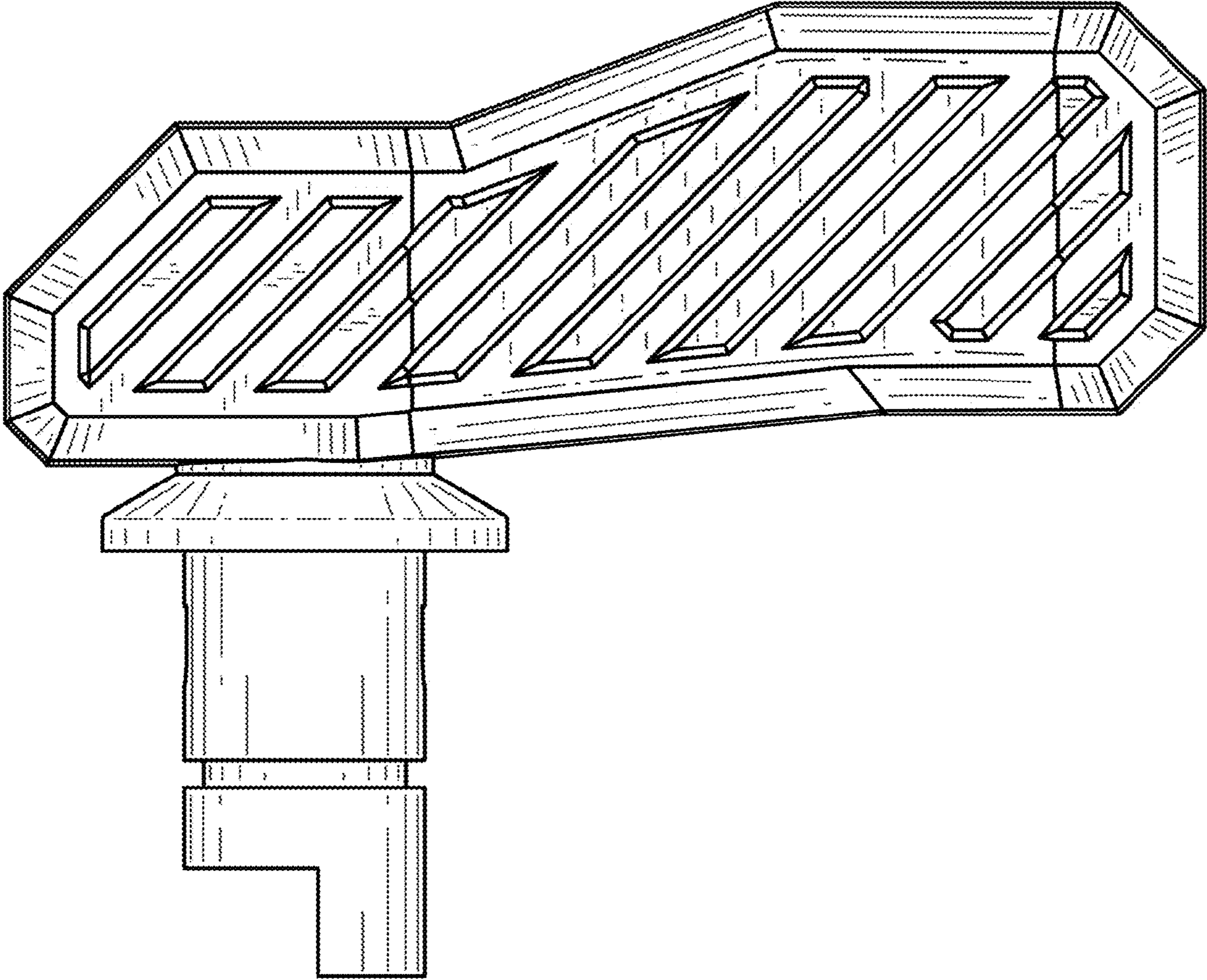


FIG. 4

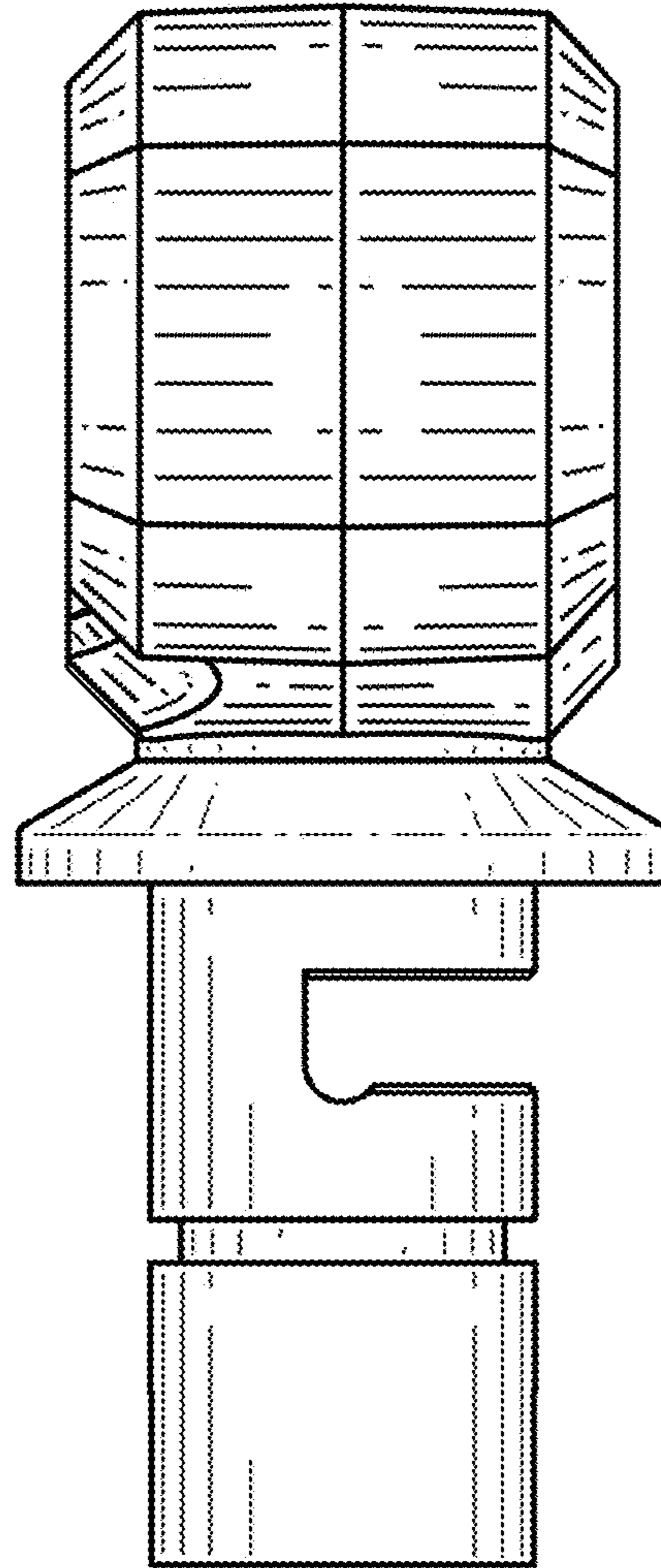


FIG. 5

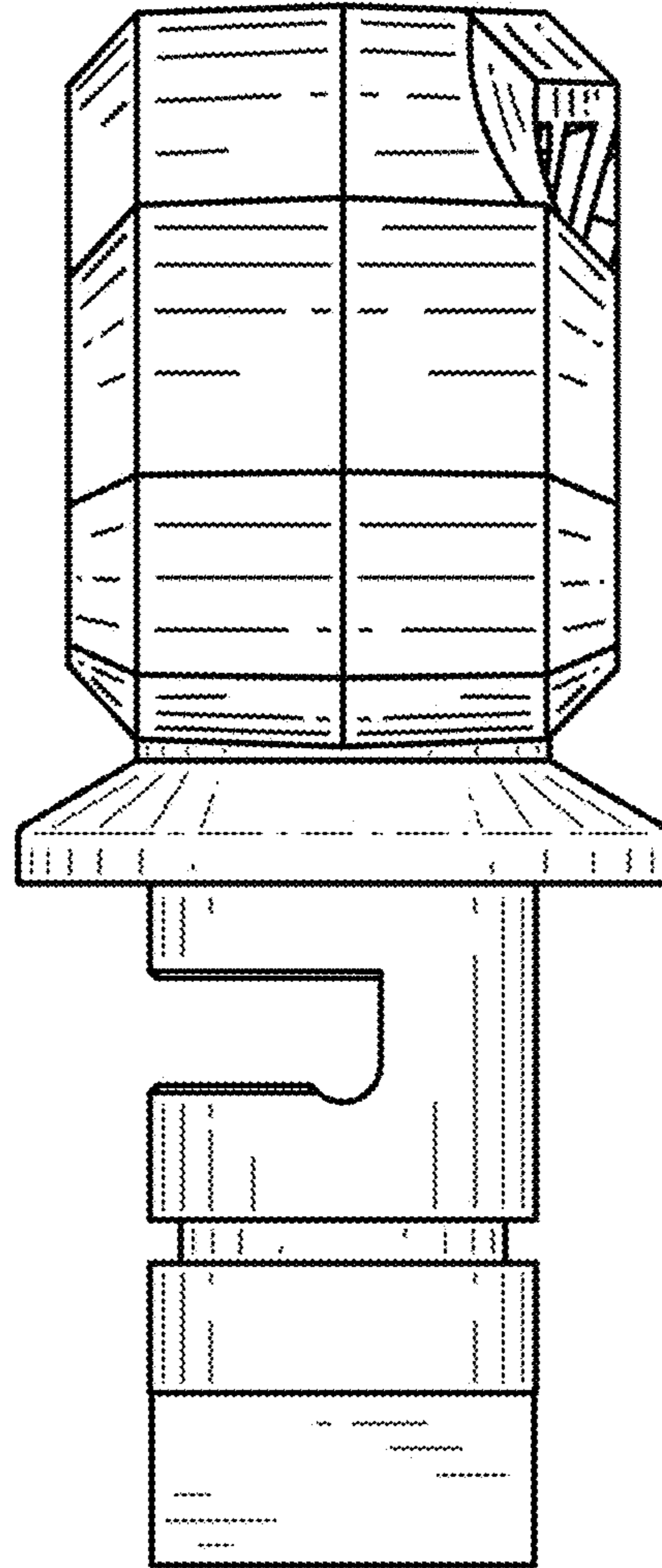


FIG. 6

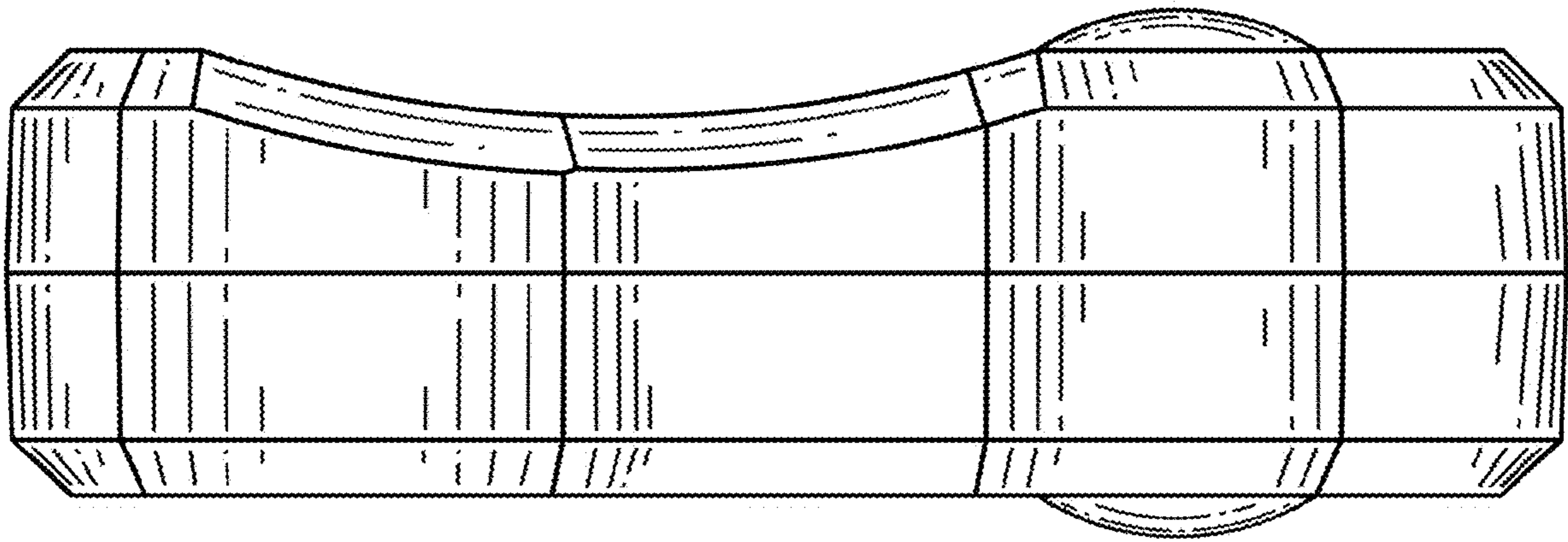


FIG. 7

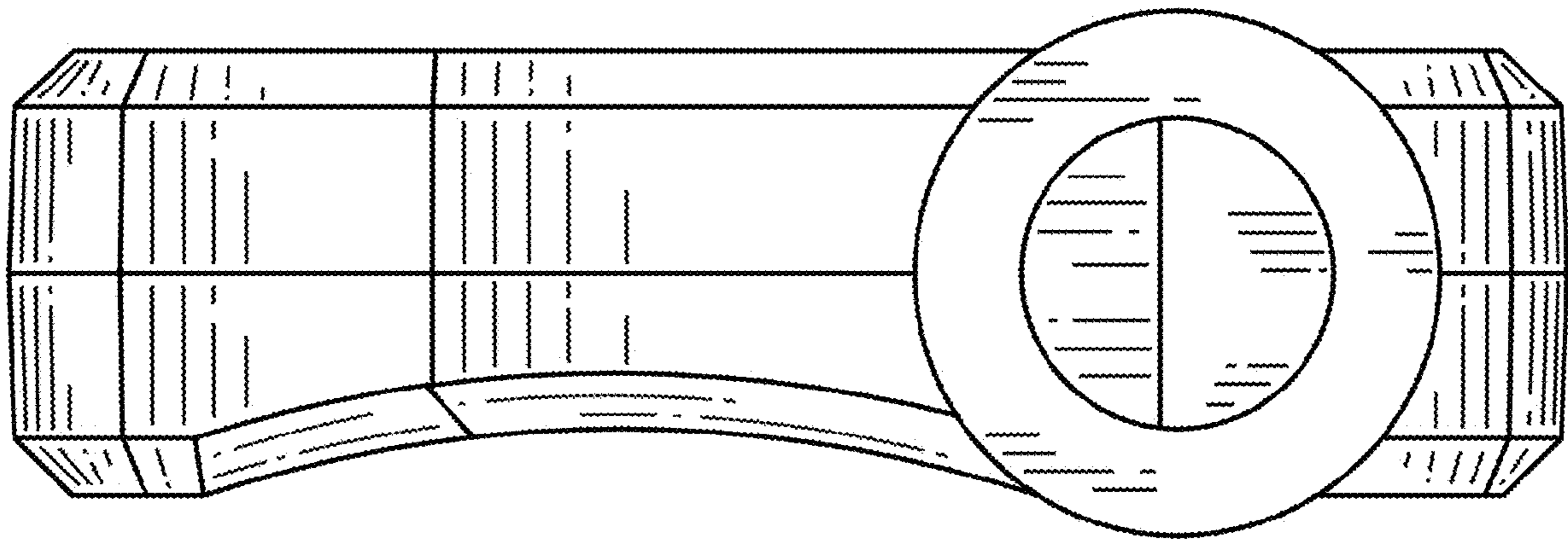


FIG. 8