



US00D888360S

(12) **United States Design Patent**
Zheng

(10) **Patent No.:** **US D888,360 S**
(45) **Date of Patent:** **** Jun. 23, 2020**

- (54) **WINCH**
- (71) Applicant: **NINGBO CHIMA WINCH CO., LTD.**, Ningbo (CN)
- (72) Inventor: **Mingkui Zheng**, Ningbo (CN)
- (73) Assignee: **NINGBO CHIMA WINCH CO., LTD.**, Ningbo (CN)
- (**) Term: **15 Years**
- (21) Appl. No.: **29/661,834**
- (22) Filed: **Aug. 31, 2018**
- (51) **LOC (12) Cl.** **12-05**
- (52) **U.S. Cl.**
USPC **D34/33**
- (58) **Field of Classification Search**
USPC D34/33, 35
CPC ... B66D 1/16; B66D 1/12; B66D 1/40; B66D 1/56
See application file for complete search history.

- 2016/0096709 A1* 4/2016 Averill B66D 1/485
254/267
- 2018/0118528 A1* 5/2018 August H05K 7/1432
- 2018/0118529 A1* 5/2018 Vaughn B66D 1/22
- 2018/0273357 A1* 9/2018 Huang B66D 1/00
- 2019/0092608 A1* 3/2019 Cui B66D 1/225

* cited by examiner

Primary Examiner — Cynthia Ramirez

(74) *Attorney, Agent, or Firm* — Bayramoglu Law Offices LLC

(57) **CLAIM**

The ornamental design for a winch, as shown and described.

DESCRIPTION

FIG. 1 is a perspective view of a winch showing the new design;
 FIG. 2 is another perspective view in condition of use;
 FIG. 3 is another perspective view thereof;
 FIG. 4 is a front view thereof;
 FIG. 5 is a rear view thereof;
 FIG. 6 is a left side view thereof;
 FIG. 7 is a right side view thereof;
 FIG. 8 is a top view thereof; and,
 FIG. 9 is a bottom view thereof.

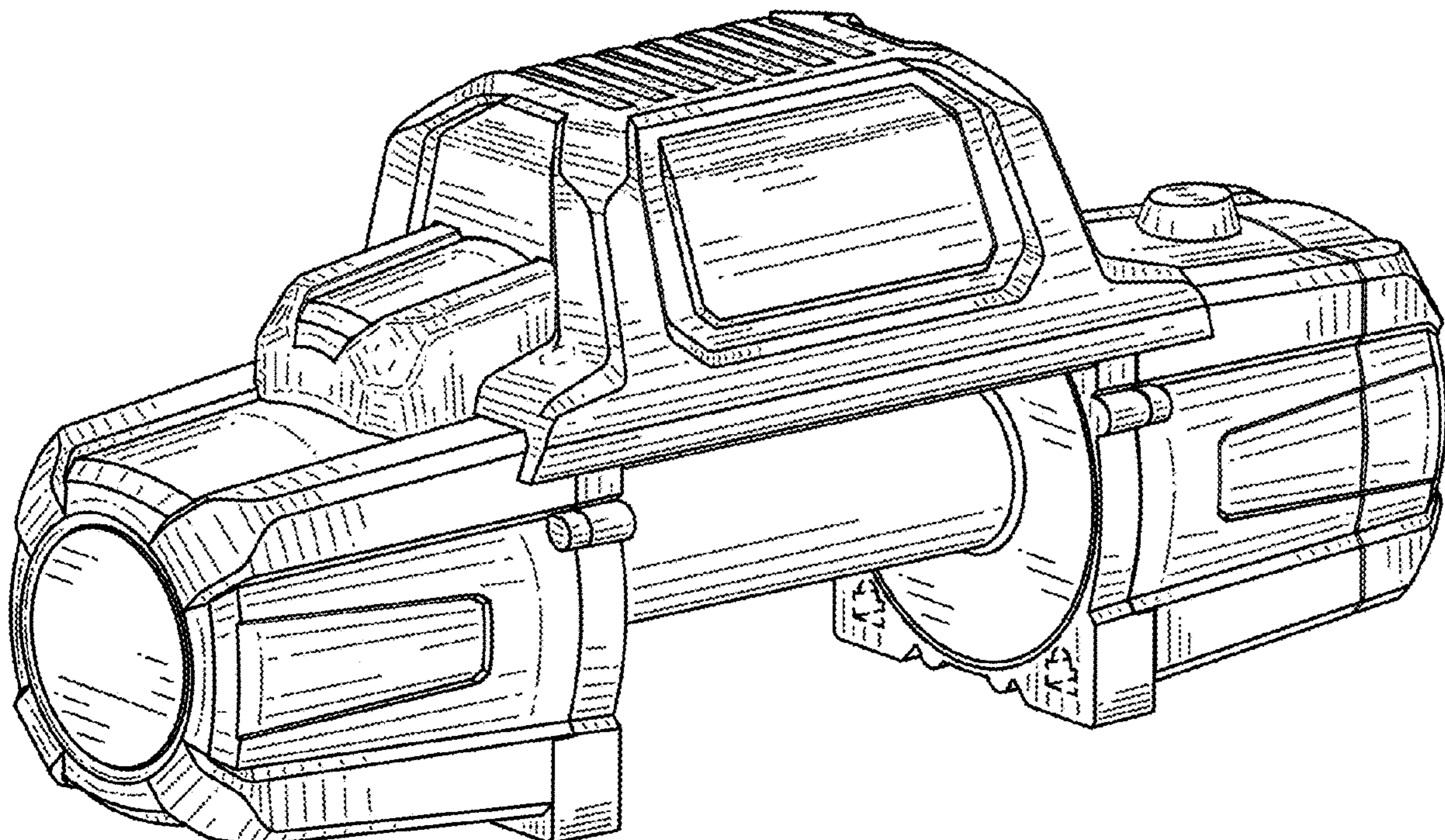
The broken lines showing the a clutch wrench for winch depict environmental subject matter only and form no part of the claim, while all other broken lines in the drawings depict portions of the winch that form no part of the claimed design.

(56) **References Cited**

U.S. PATENT DOCUMENTS

- D489,157 S * 4/2004 Lawson D34/33
- D740,513 S * 10/2015 Fretz D34/33
- D744,189 S * 11/2015 Fretz D34/33
- 9,266,702 B2 * 2/2016 Fretz B66D 1/36
- 2014/0252286 A1 * 9/2014 Averill B66D 1/56
254/344

1 Claim, 9 Drawing Sheets



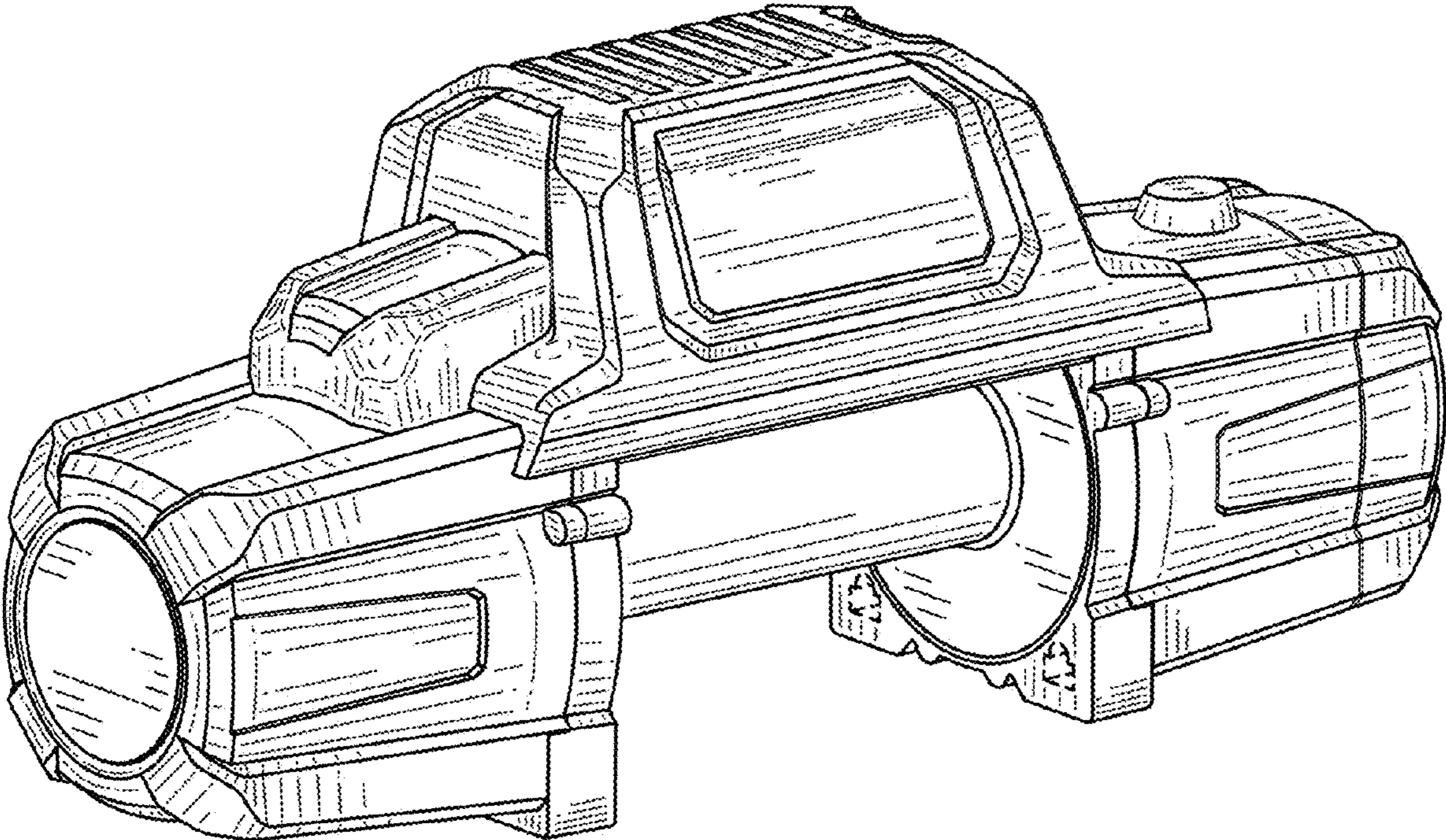


FIG. 1

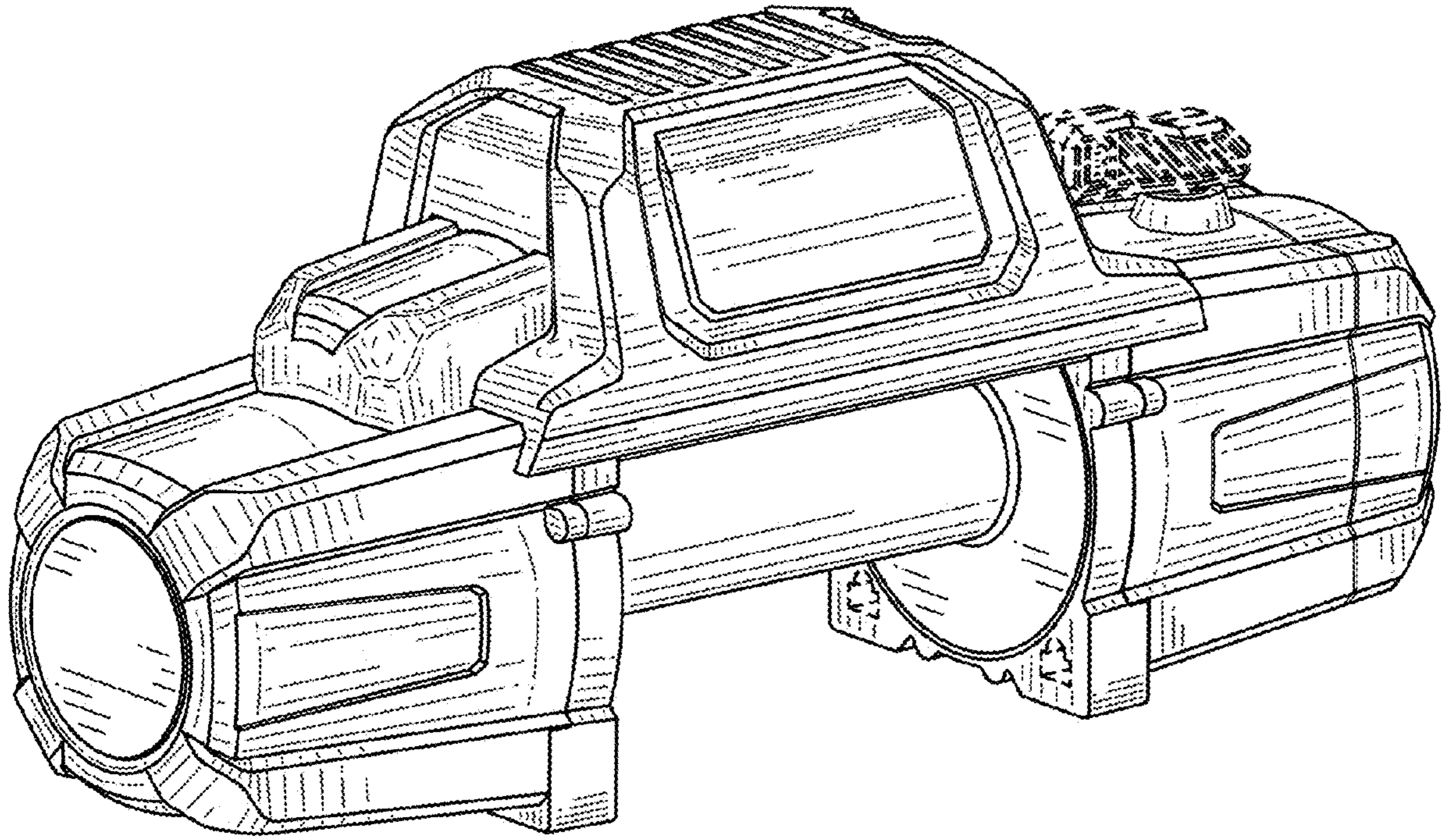


FIG. 2

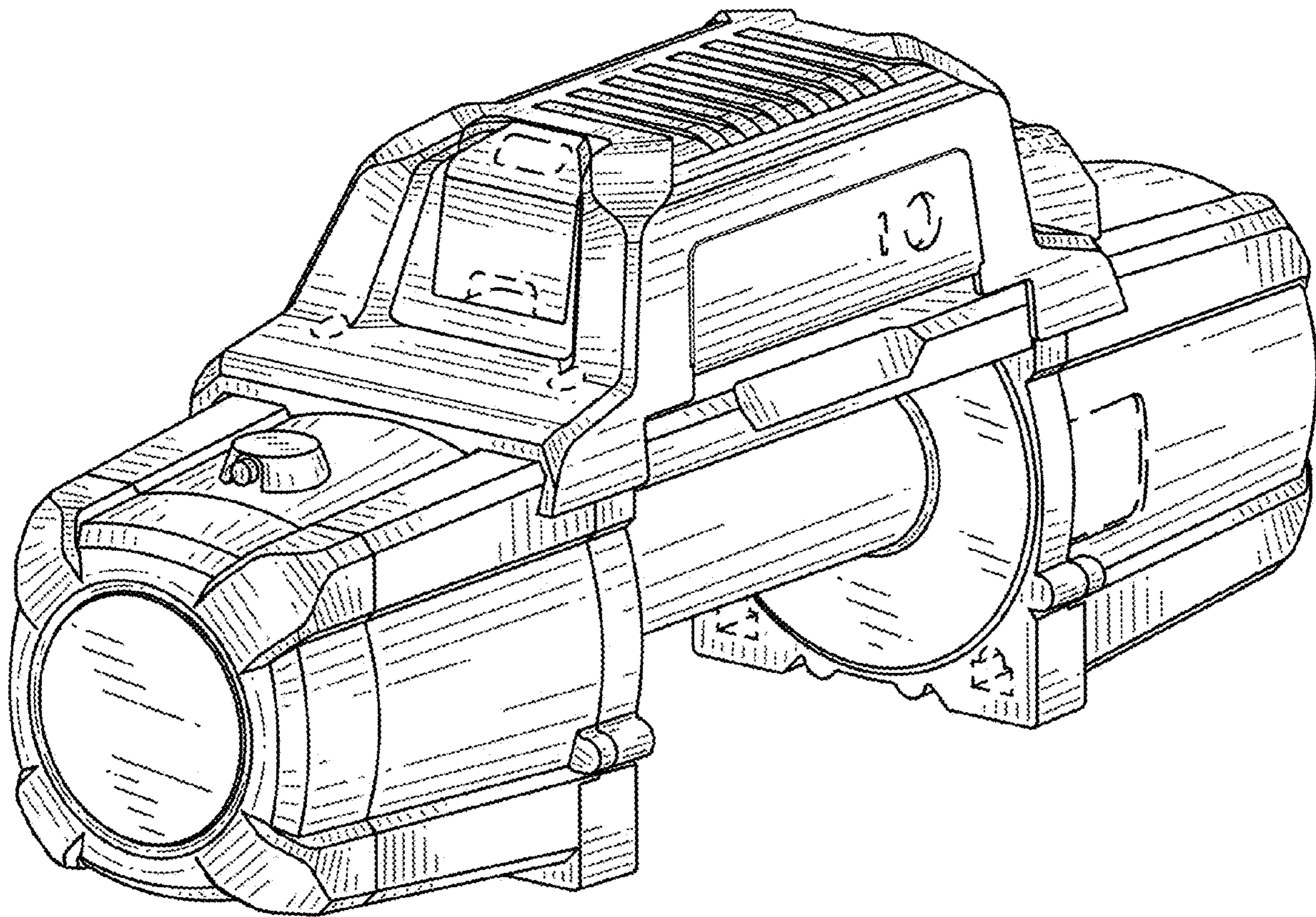


FIG. 3

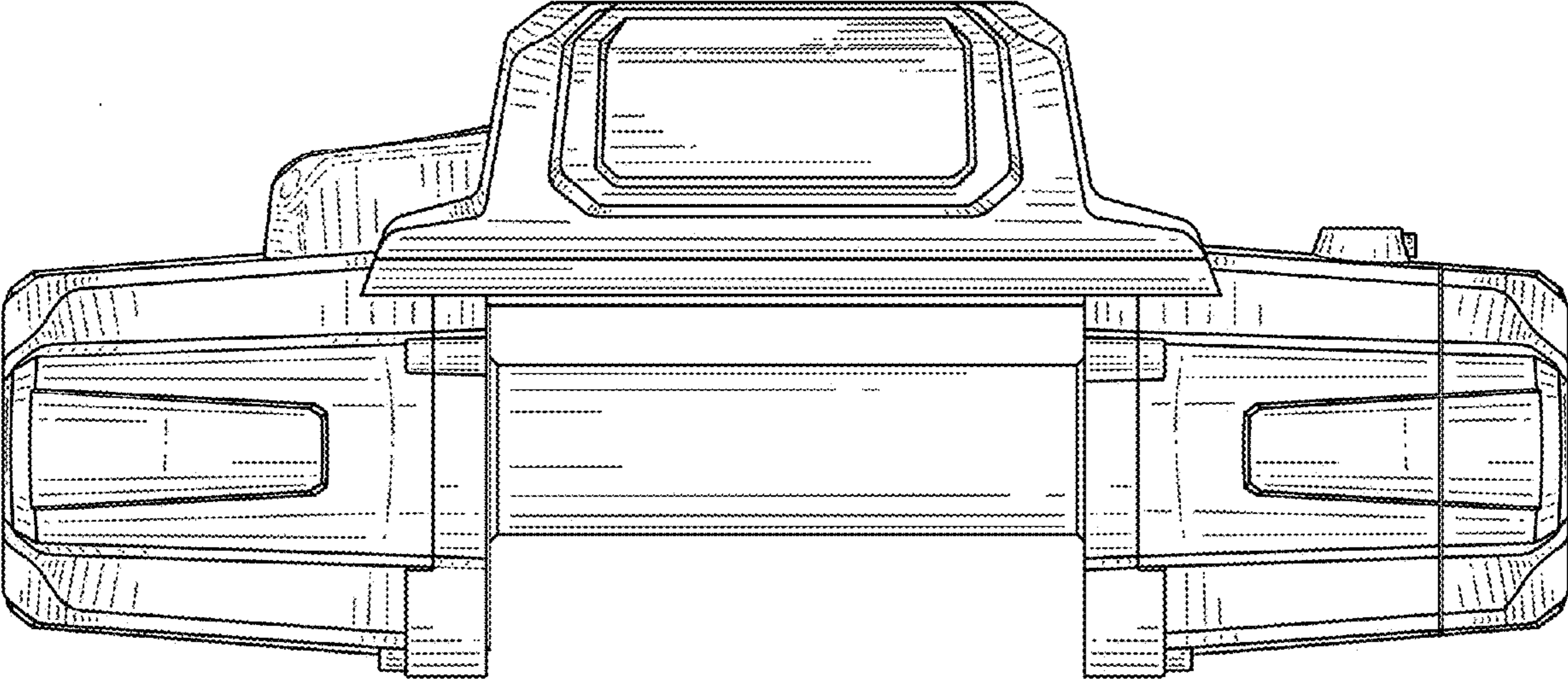


FIG. 4

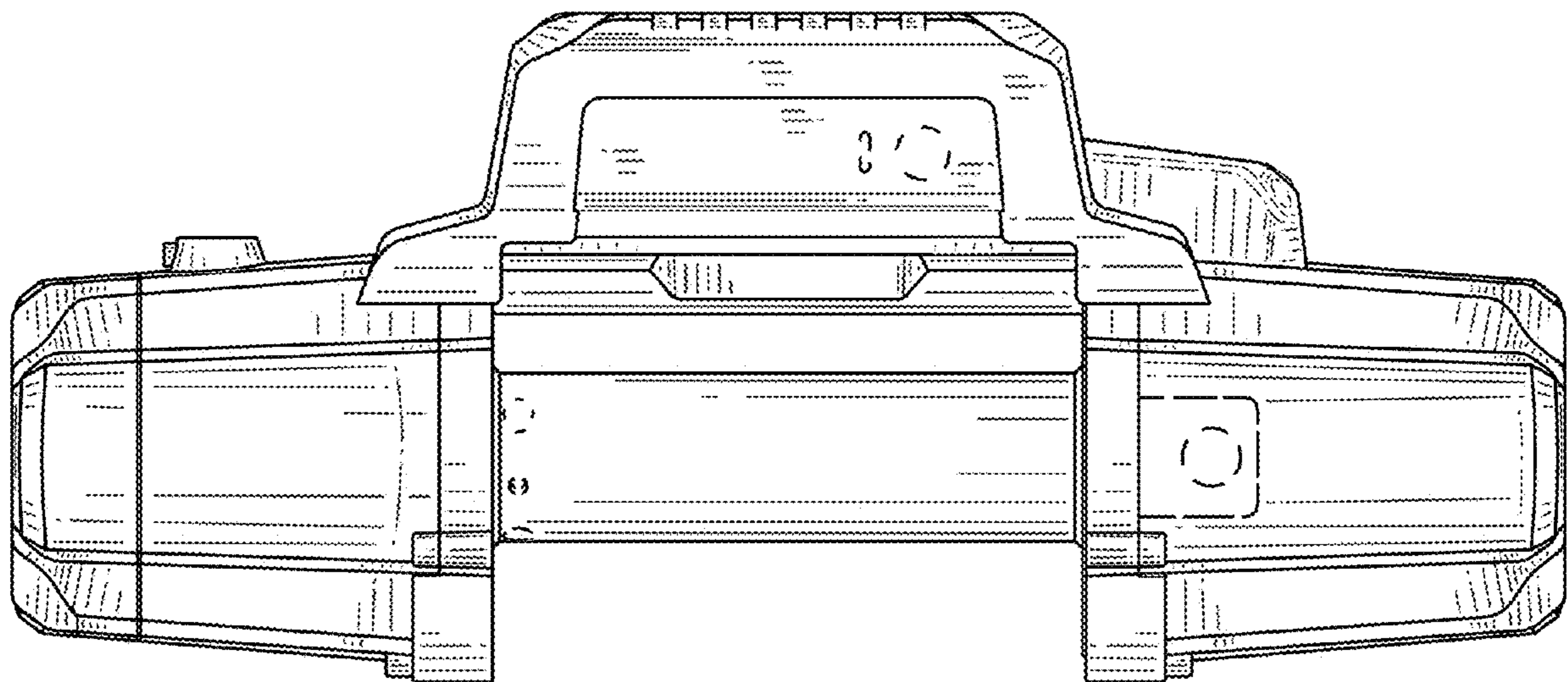


FIG. 5

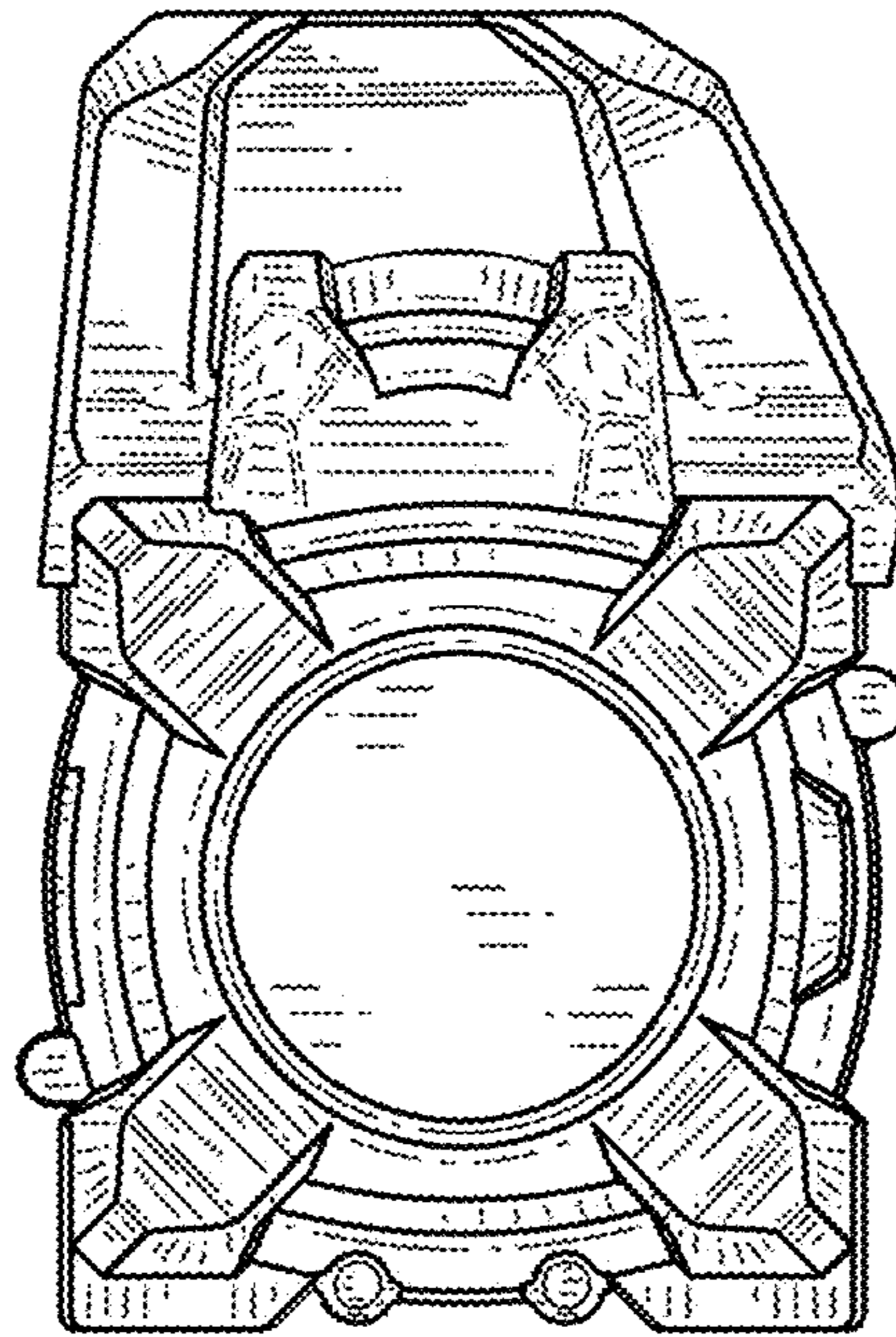


FIG. 6

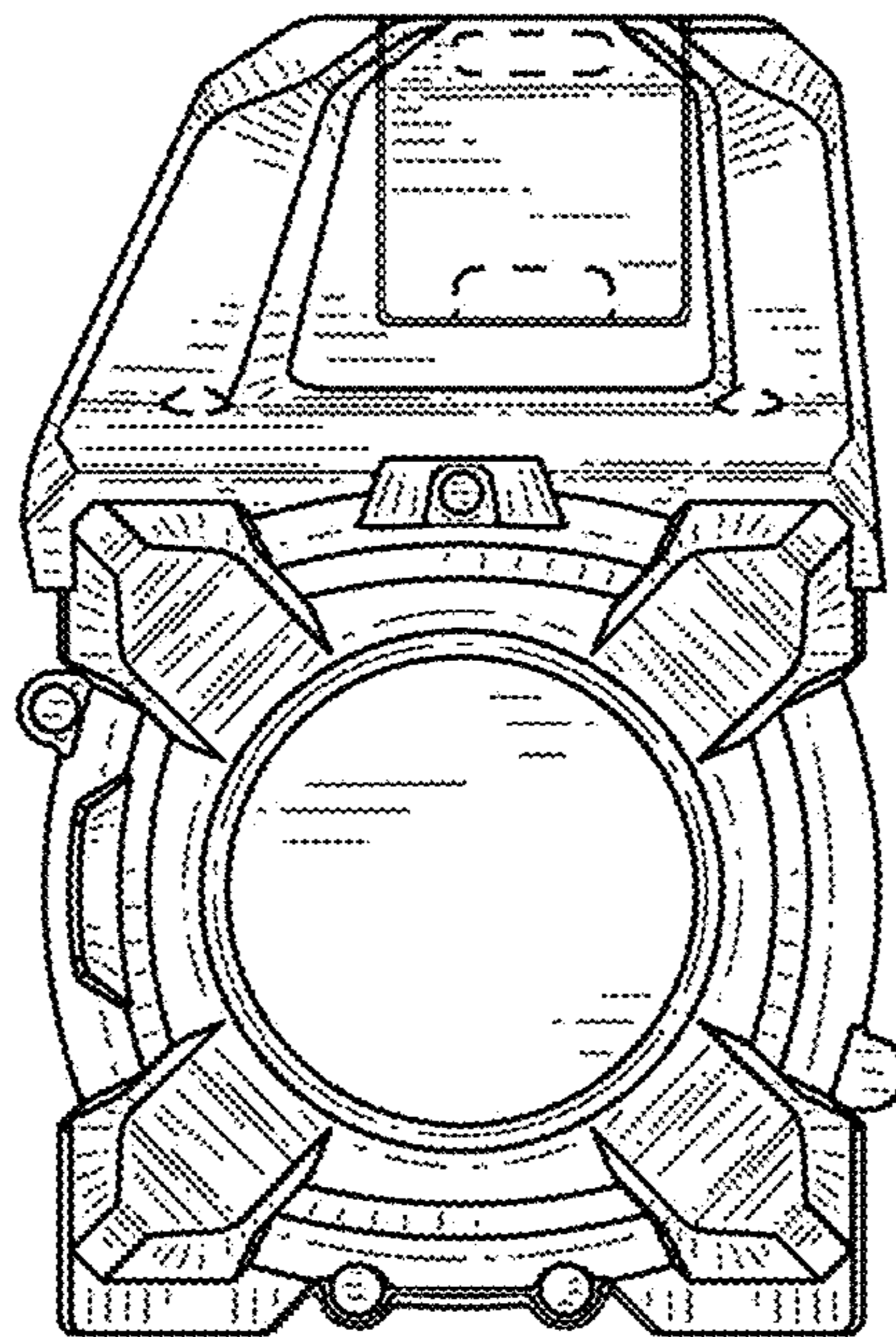


FIG. 7

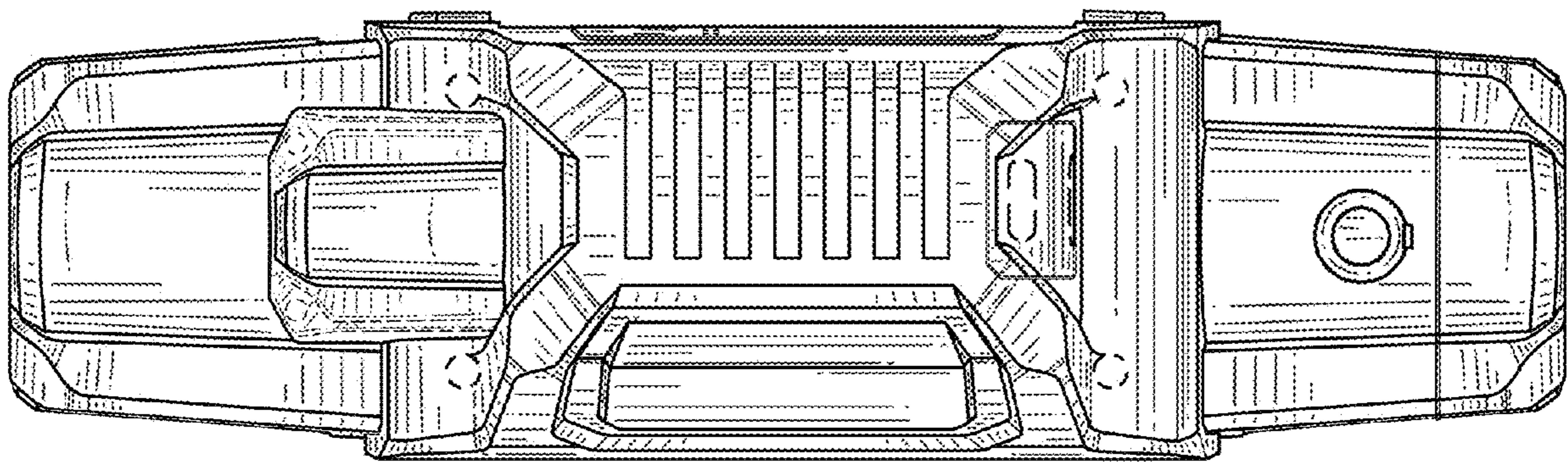


FIG. 8

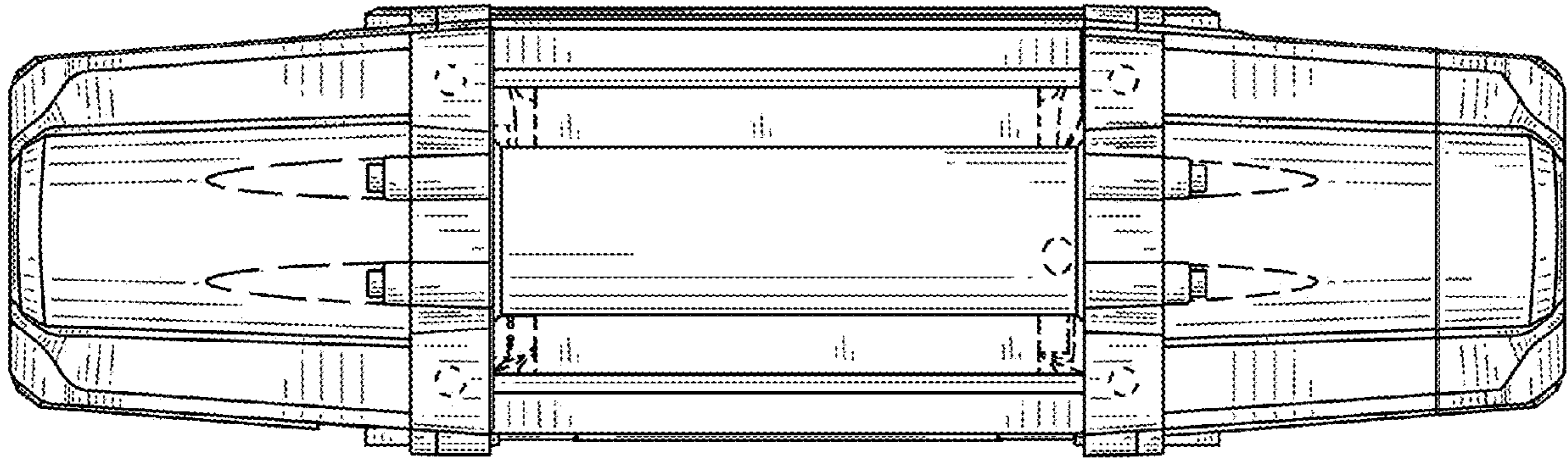


FIG. 9