



US00D888359S

(12) **United States Design Patent**
Sykes

(10) **Patent No.:** **US D888,359 S**

(45) **Date of Patent:** **** Jun. 23, 2020**

(54) **CAN WITH LID**

(71) Applicant: **Brian Sykes**, Fullerton, CA (US)

(72) Inventor: **Brian Sykes**, Fullerton, CA (US)

(73) Assignee: **Brian Sykes**, Oaha Point, CA (US)

(**) Term: **15 Years**

(21) Appl. No.: **29/664,653**

(22) Filed: **Sep. 27, 2018**

(51) **LOC (12) Cl.** **09-09**

(52) **U.S. Cl.**
USPC **D34/7**

(58) **Field of Classification Search**

USPC D34/1, 5, 6, 7, 8, 9, 10, 11;
220/908-911, 913, 263, 252

CPC B65F 2250/11; B65F 2250/114; B62B
2202/20; B62B 2202/028; B62B 2207/02

See application file for complete search history.

(56) **References Cited**

U.S. PATENT DOCUMENTS

5,295,607 A * 3/1994 Chang B65F 1/06
220/263

D494,722 S * 8/2004 Lin D34/7

D526,455 S * 8/2006 Chen D34/8
D656,698 S * 3/2012 Quan D34/8
D659,933 S * 5/2012 Ligon D34/7
D671,702 S * 11/2012 Cribbs D34/7
8,474,642 B2 * 7/2013 Chen B65F 1/10
220/252

* cited by examiner

Primary Examiner — Gino Colan

(57) **CLAIM**

The ornamental design for a can with lid, as shown and described.

DESCRIPTION

FIG. 1 is a three-quarter view of a can with lid showing my new design;

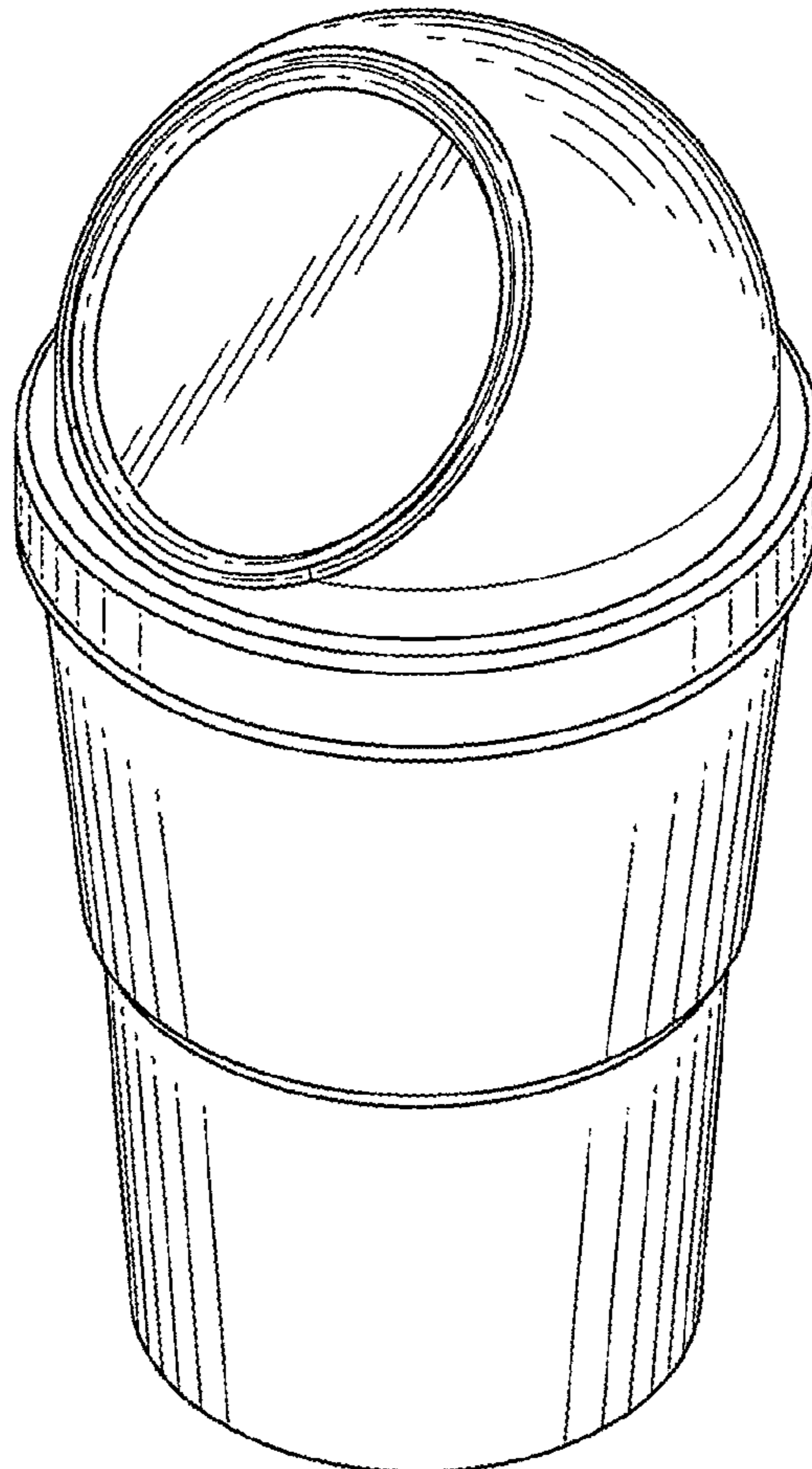
FIG. 2 is a side view of the can with lid;

FIG. 3 is another side view of the can with lid;

FIG. 4 is a top view of the can with lid; and,

FIG. 5 is a bottom view of the can with lid.

1 Claim, 5 Drawing Sheets



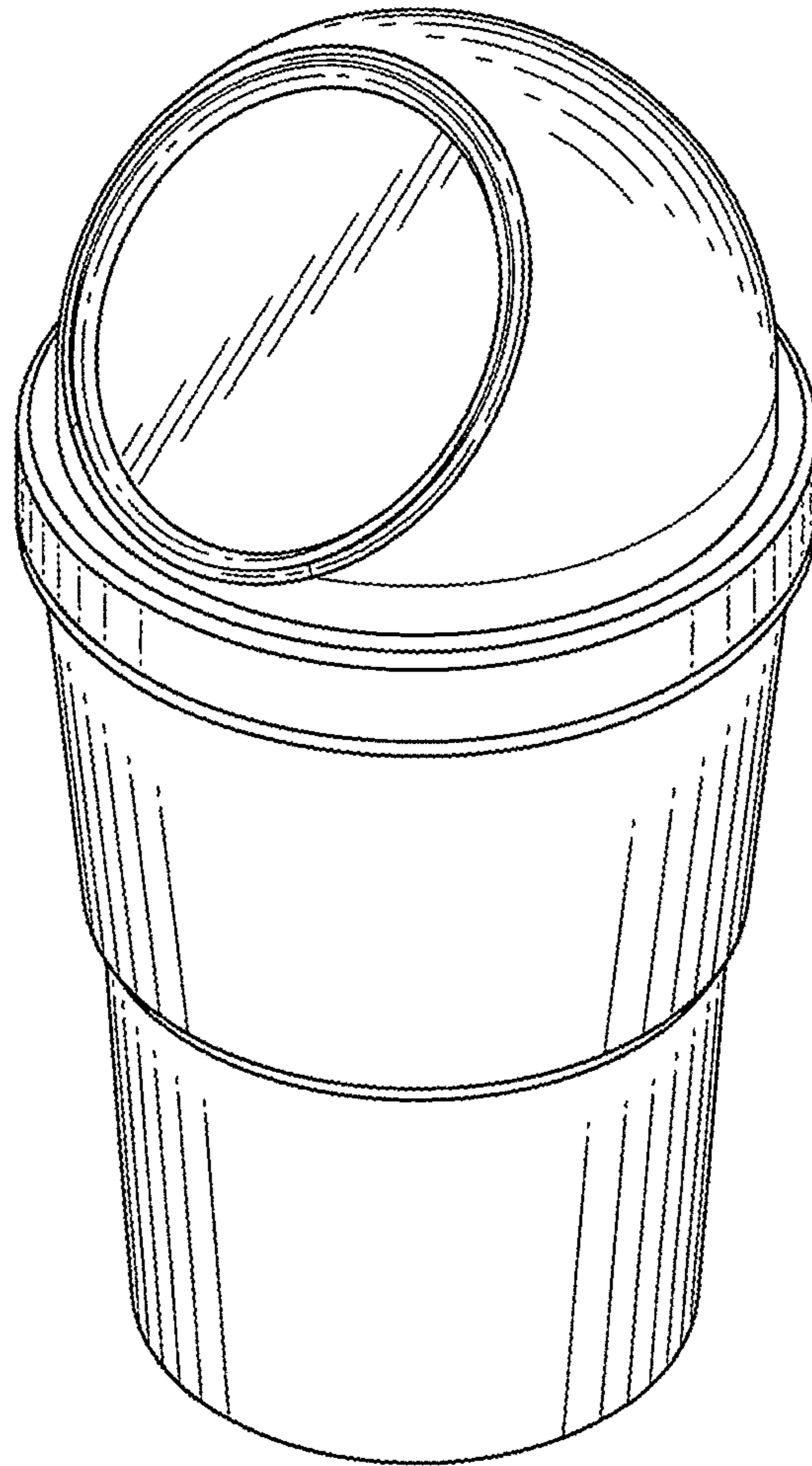


FIG. 1

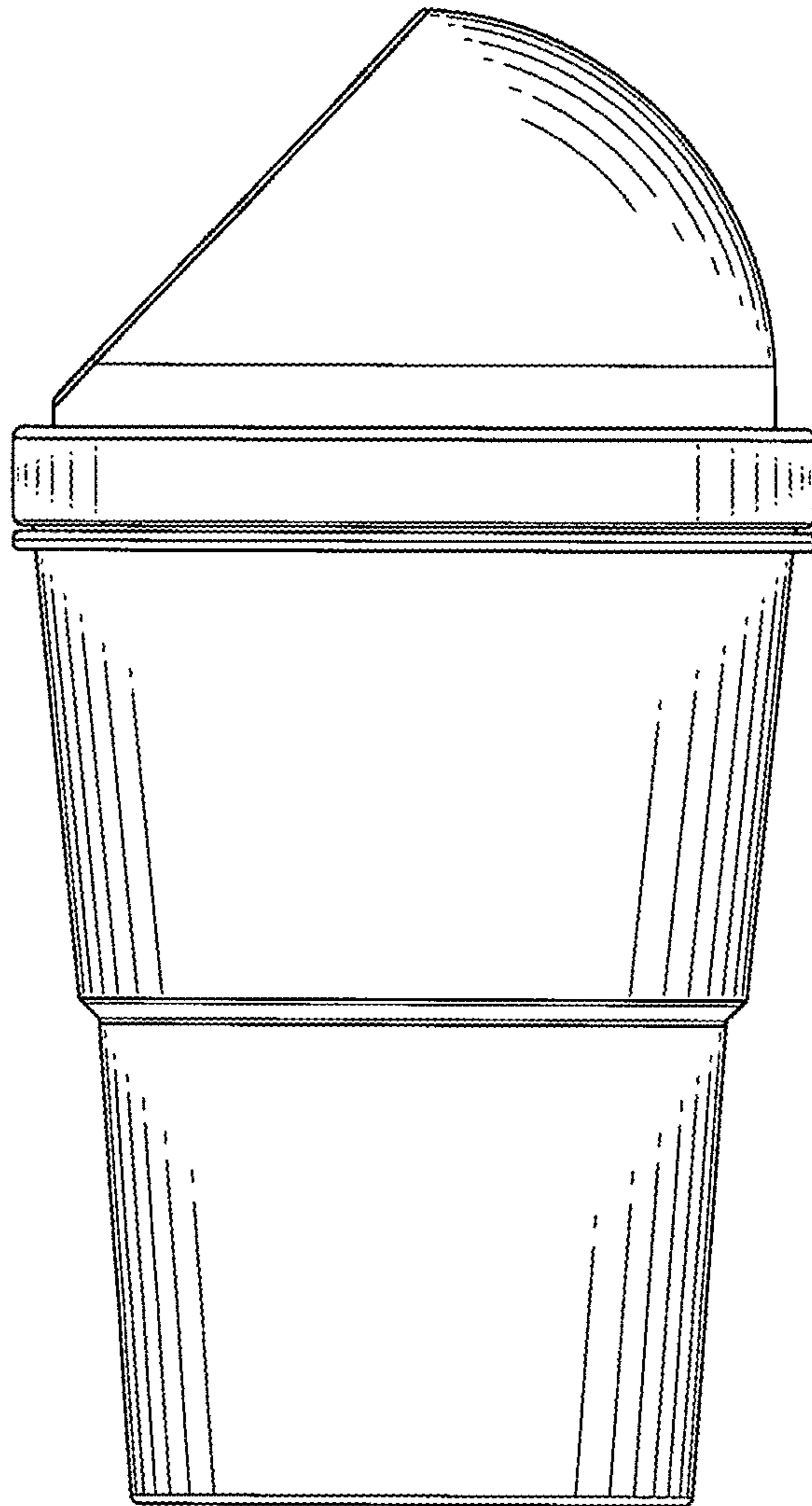


FIG. 2

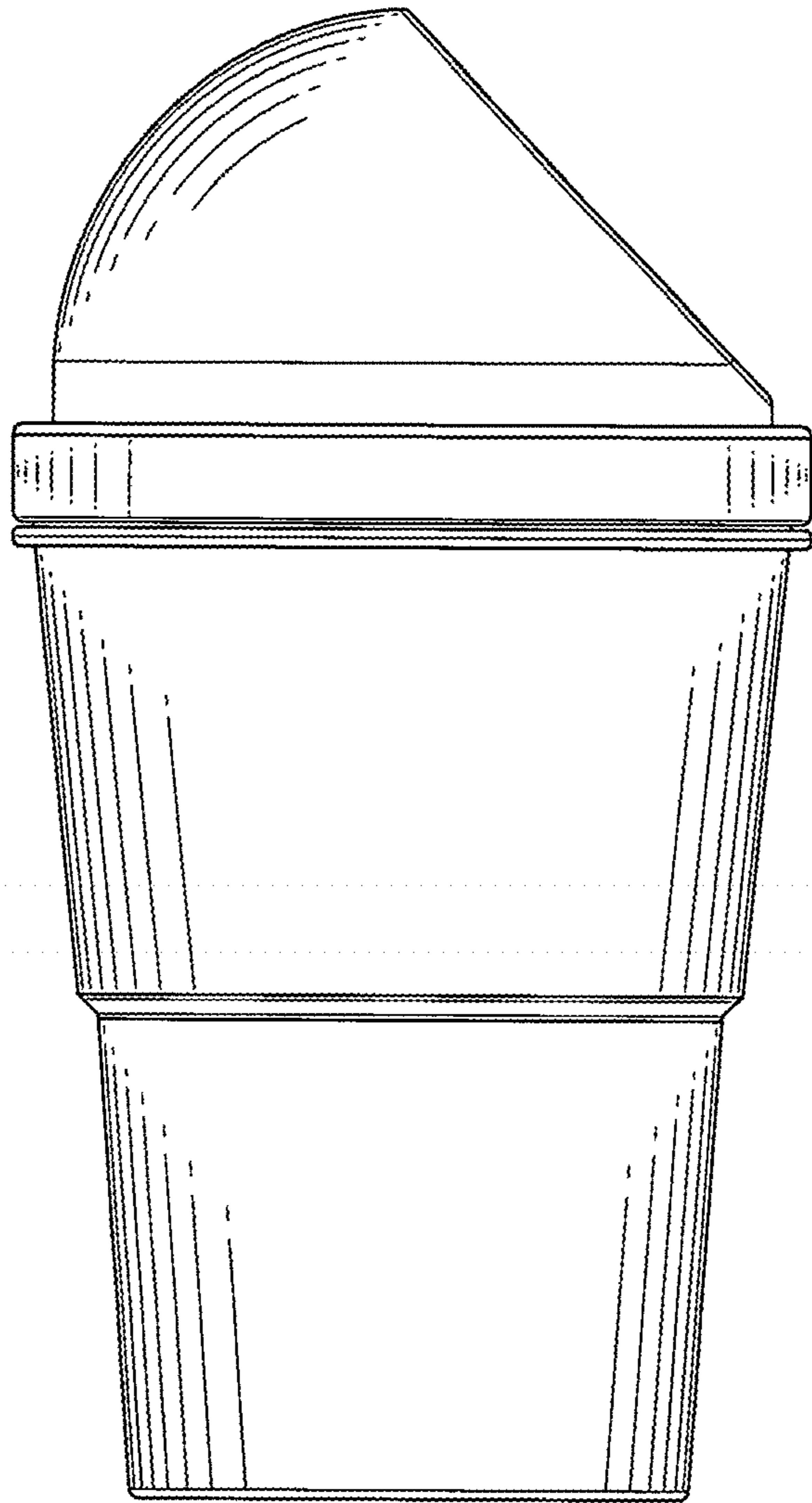


FIG. 3

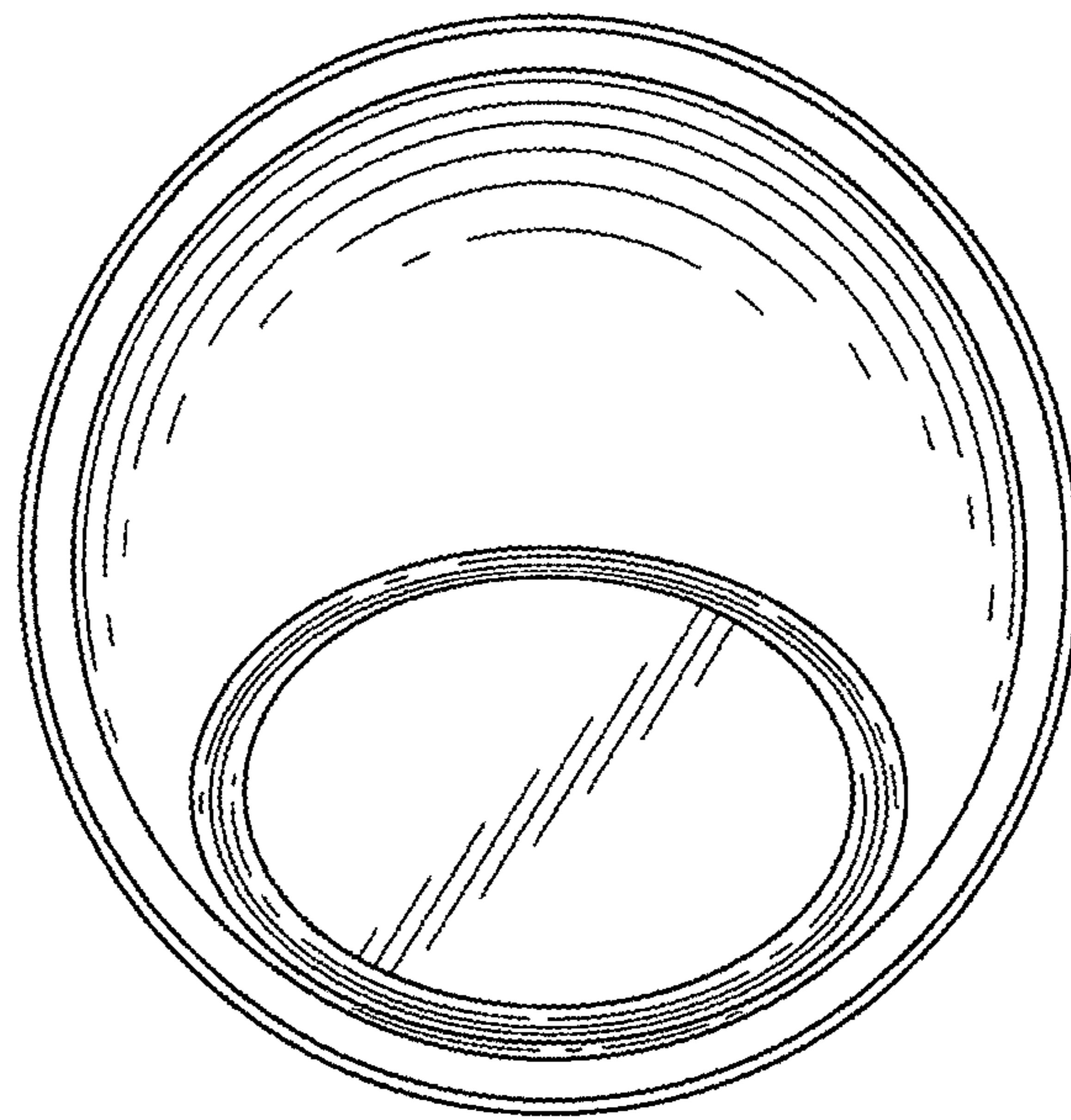


FIG. 4

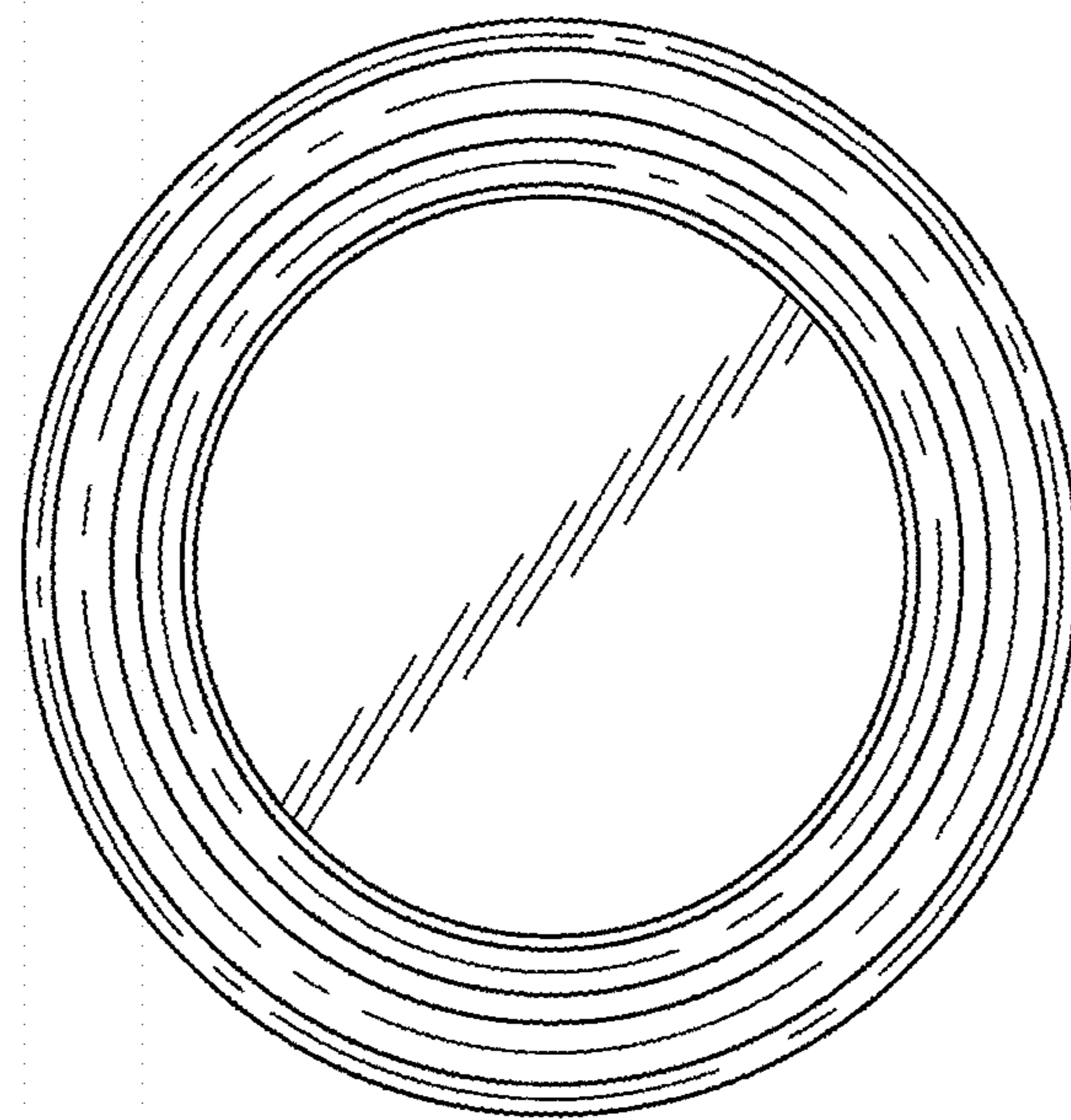


FIG. 5