



US00D888358S

(12) **United States Design Patent**
Danko

(10) **Patent No.:** **US D888,358 S**

(45) **Date of Patent:** **** Jun. 23, 2020**

(54) **CLEANING BUCKET ASSEMBLY**

FOREIGN PATENT DOCUMENTS

(71) Applicant: **Aileen Danko**, Plantation, FL (US)

CN 302724208 * 1/2014
CN 303187695 * 4/2015
CN 30429991 * 10/2017

(72) Inventor: **Aileen Danko**, Plantation, FL (US)

(**) Term: **15 Years**

OTHER PUBLICATIONS

(21) Appl. No.: **29/627,616**

Top 10 Best Spin Mops 2017 posted by Ezra Glenn posted date Sep. 17, 2018, © WIKI EZ VID, [online], [site visited Jun. 21, 2019]. Available from Internet, <https://wiki.ezvid.com/best-spin-mops> (Year: 2017).*

(22) Filed: **Nov. 28, 2017**

(Continued)

(51) **LOC (12) Cl.** **07-05**

(52) **U.S. Cl.**
USPC **D32/53**

Primary Examiner — Cynthia Ramirez

Assistant Examiner — Laura H Yu

(58) **Field of Classification Search**
USPC D32/50, 54; 15/260, 263, 264;
220/23.87, 756, 760, 769, 770

(74) *Attorney, Agent, or Firm* — Nancy J. Flint, Attorney At Law, P.A.; Nancy J. Flint, Esq.

CPC A47L 13/51; A47L 13/58; A47L 13/59;
A47L 13/24; A46B 2200/30; A47J 47/18

(57) **CLAIM**

The ornamental design for a cleaning bucket assembly, as shown and described.

See application file for complete search history.

DESCRIPTION

(56) **References Cited**

FIG. 1 is a perspective view of a cleaning bucket assembly; FIG. 2 is a rear view thereof; FIG. 3 is a left side view thereof; FIG. 4 is a front view thereof; FIG. 5 is a top view thereof; FIG. 6 is a bottom view thereof; FIG. 7 is a perspective view of a second embodiment thereof; FIG. 8 is a rear view thereof; FIG. 9 is a left side view thereof; FIG. 10 is a front view thereof; FIG. 11 is a top view thereof; and, FIG. 12 is a bottom view thereof.

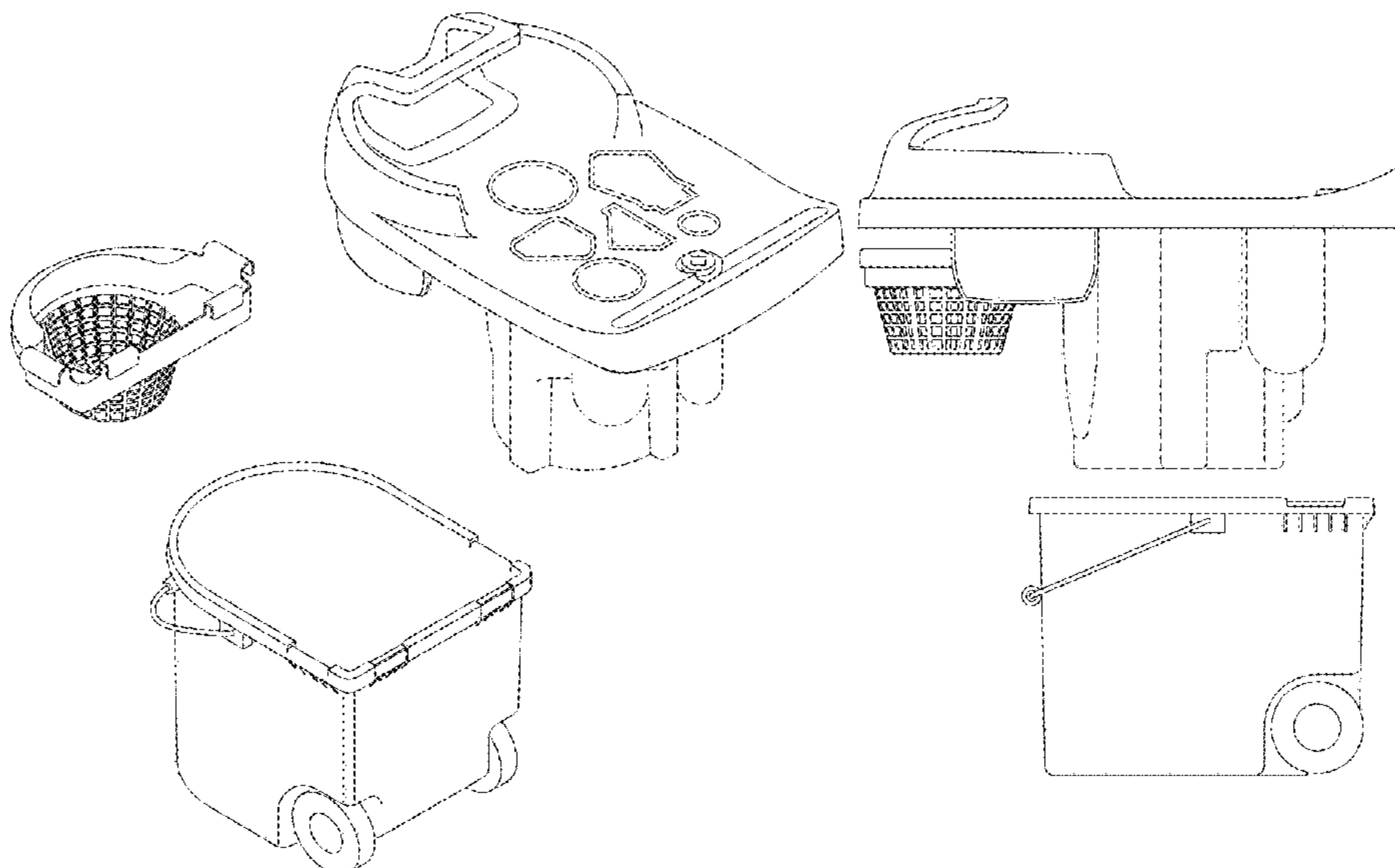
U.S. PATENT DOCUMENTS

D216,277 S	*	12/1969	Calgary	D32/53
D218,778 S	*	9/1970	Gunfaus	D32/54
D227,148 S	*	6/1973	Oas	D32/53
D284,897 S	*	7/1986	Rubio	D32/50
D325,454 S	*	4/1992	Schmidt	D32/51
D364,962 S	*	12/1995	Vosbikian	D4/132
D412,248 S	*	7/1999	Berti	D32/50
D427,738 S	*	7/2000	McRorie, III	D32/54
D464,778 S	*	10/2002	Susek	D32/54
D468,106 S	*	1/2003	Robertson	D32/74
D473,028 S	*	4/2003	Hay	D32/41
D492,489 S	*	7/2004	Hay	D32/74
D496,509 S	*	9/2004	Petner	D32/42
D509,659 S	*	9/2005	Weaver	D4/135
D509,661 S	*	9/2005	Berti	D4/199
D539,997 S	*	4/2007	Hay	D32/35

Right side views not shown are not part of the design sought to be patented. The broken lines in the drawings illustrate portions of the cleaning bucket assembly that form no part of the claimed design.

(Continued)

1 Claim, 12 Drawing Sheets



(56)

References Cited

U.S. PATENT DOCUMENTS

D551,819 S * 9/2007 Kohs D32/49
7,318,247 B2 * 1/2008 Libman A47J 47/18
15/260
D645,628 S * 9/2011 Tseng D32/53
D694,483 S * 11/2013 Hines D32/50
D694,980 S * 12/2013 Libman D32/54
D723,758 S * 3/2015 Lentine D32/53
D729,478 S * 5/2015 Zeng D32/53
D741,561 S * 10/2015 Zeng D32/53
D756,583 S * 5/2016 Arvinte D32/53
D765,333 S * 8/2016 Lentine D32/53

OTHER PUBLICATIONS

10 Best Spin Mops 2017 posted by EZ VID WIKI posted date May 11, 2017, © WIKI EZ VID, [online], [site visited Jun. 21, 2019]. Available from Internet, <https://www.youtube.com/watch?v=-oLQ19x2lQU> (Year: 2017).*

* cited by examiner

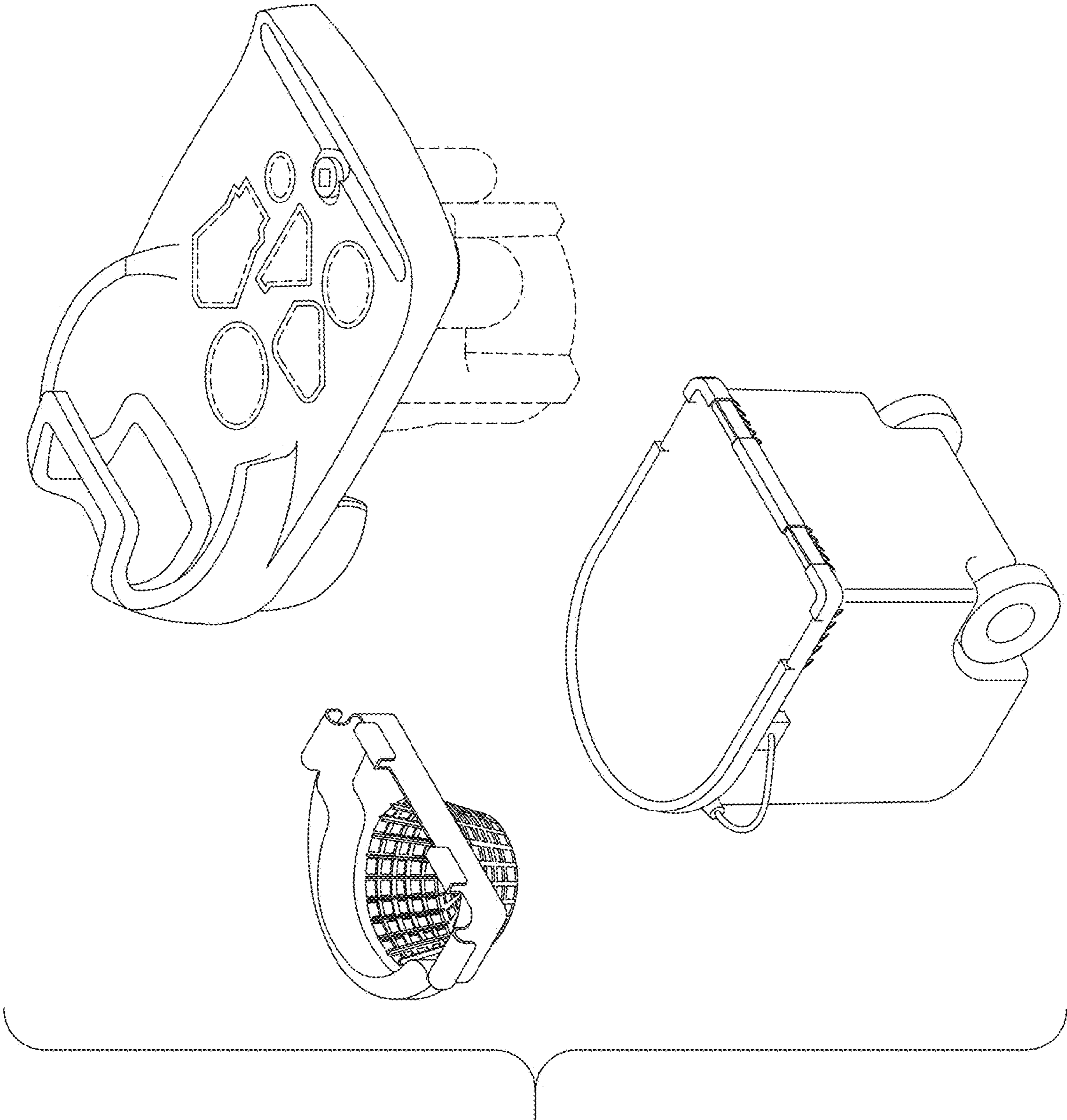


Fig. 1

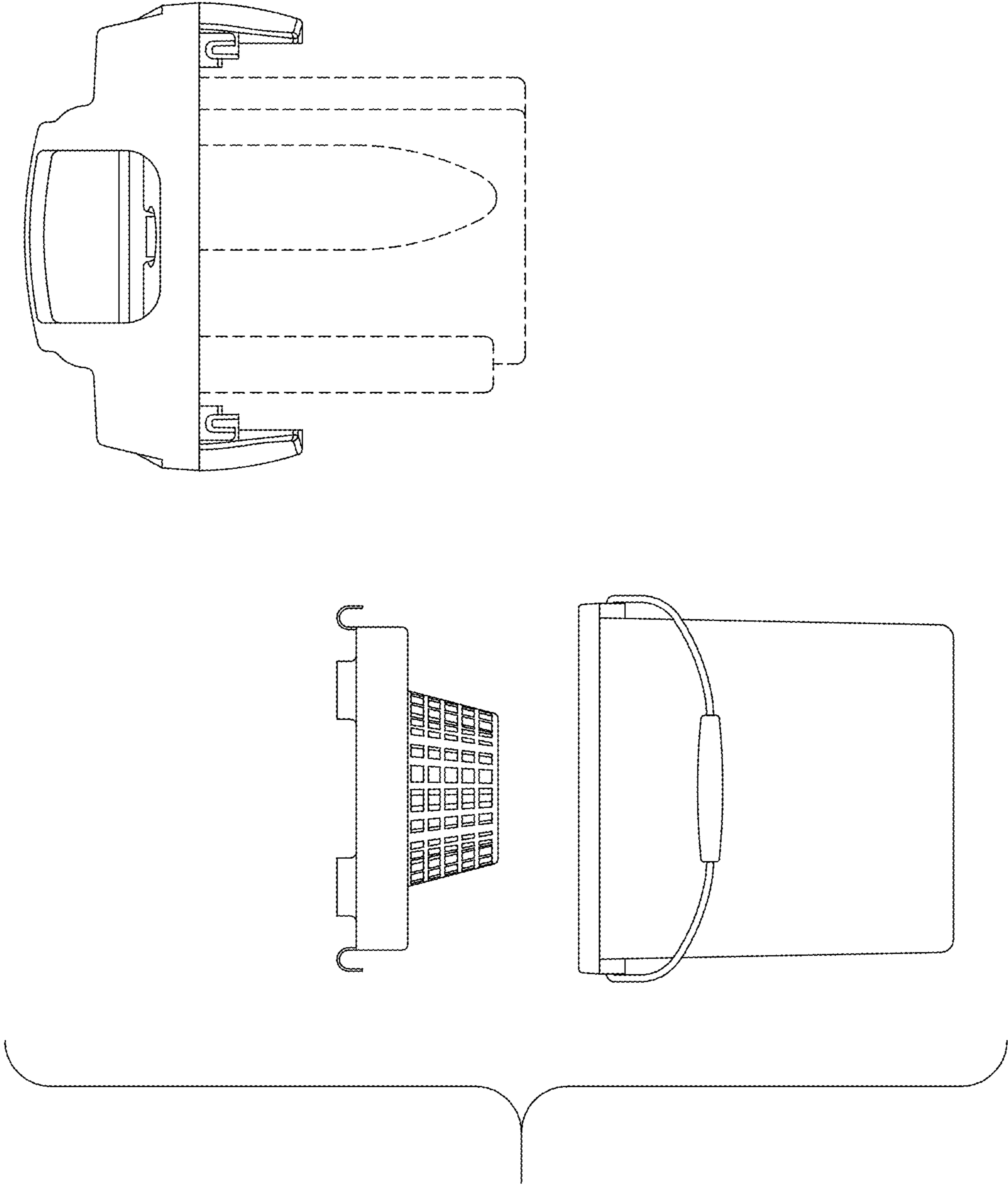


Fig. 2

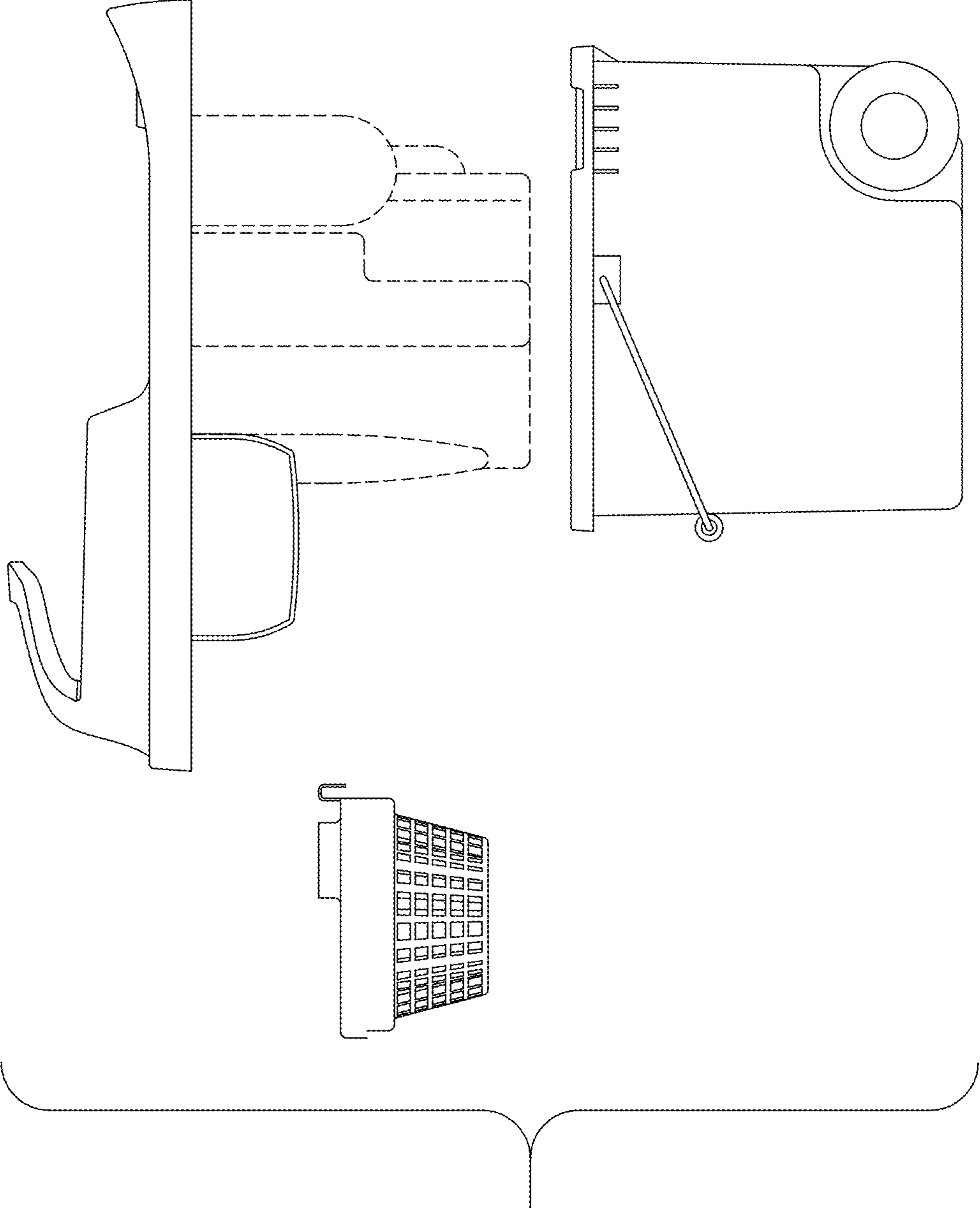


Fig. 3

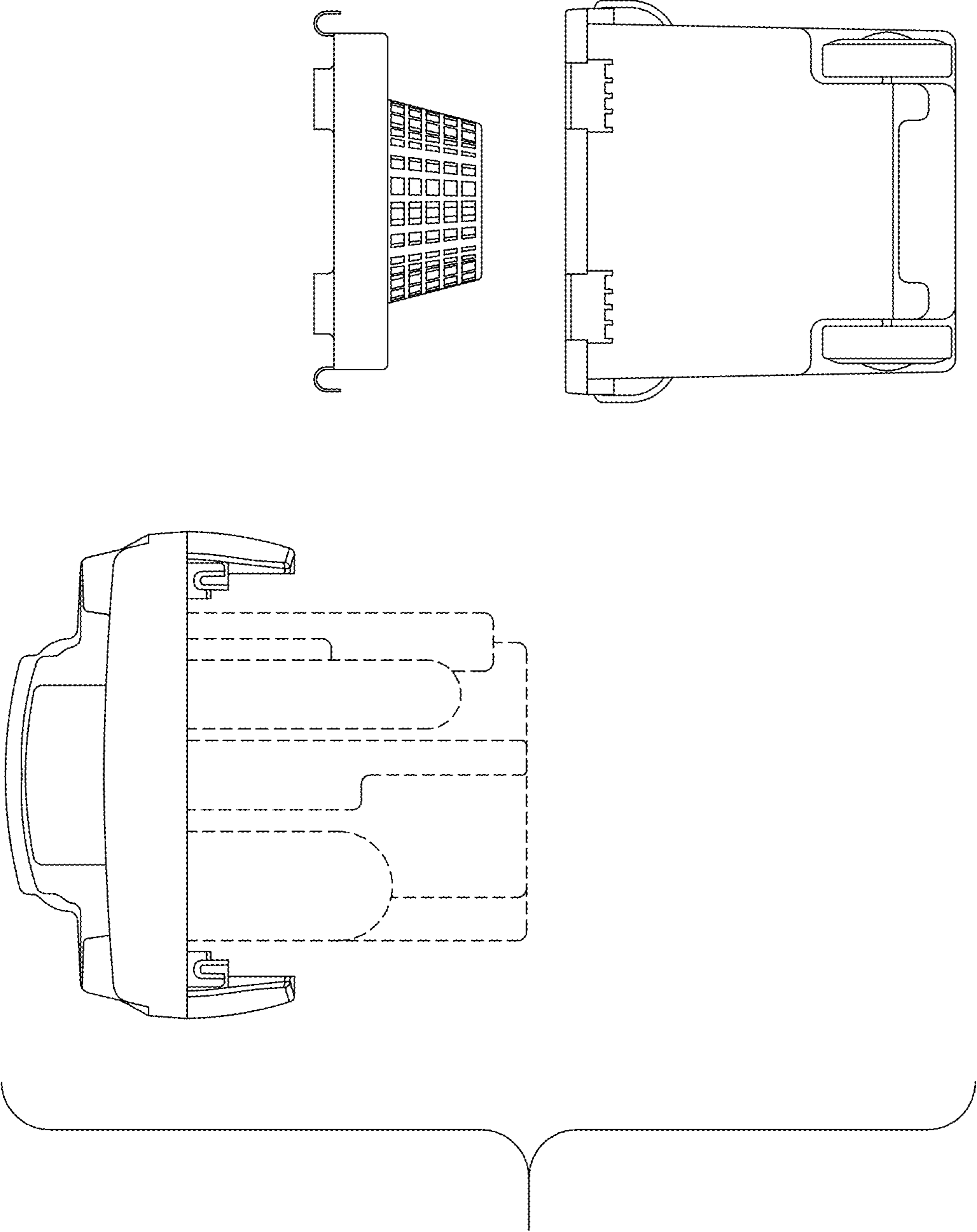


Fig. 4

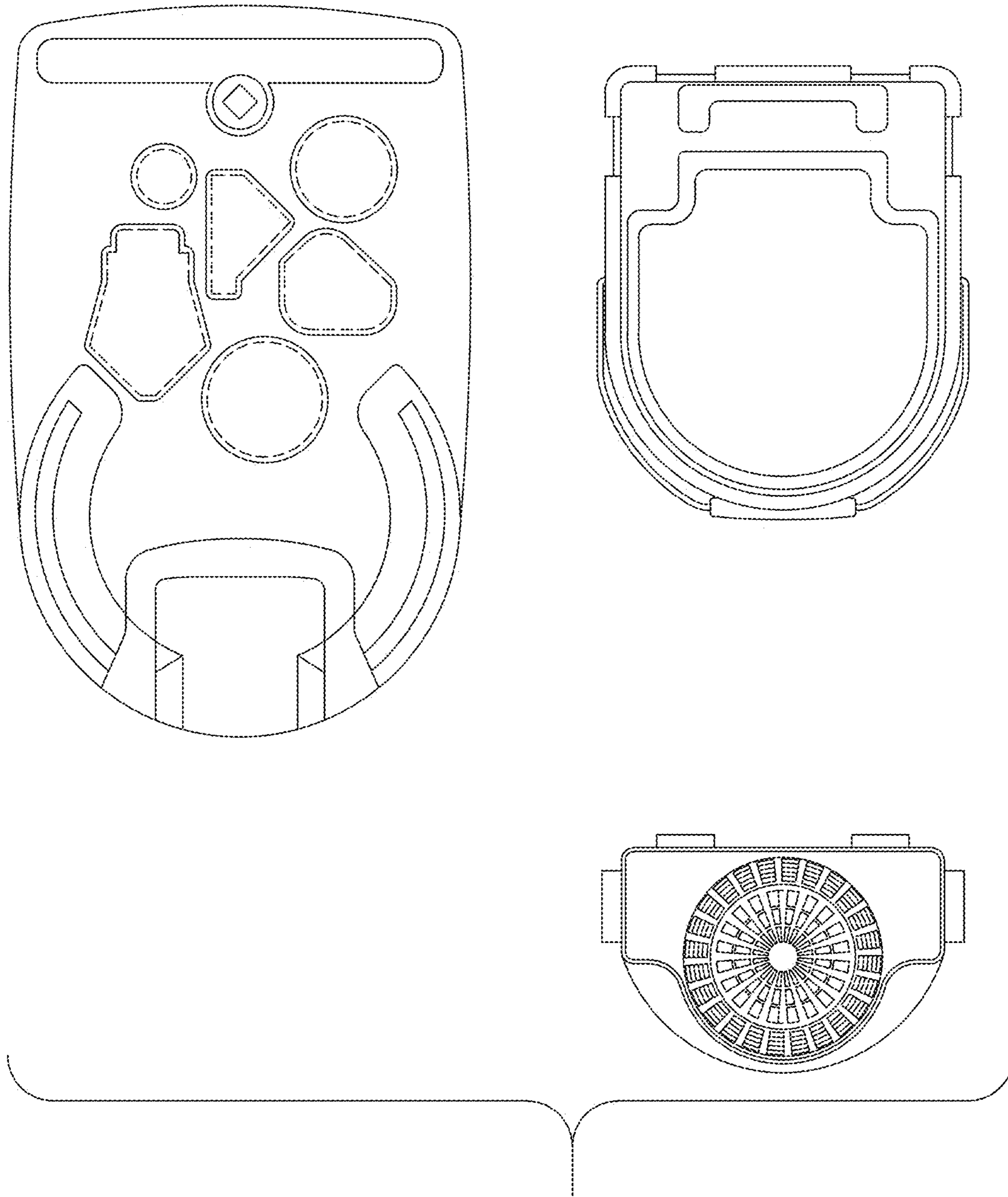


Fig. 5

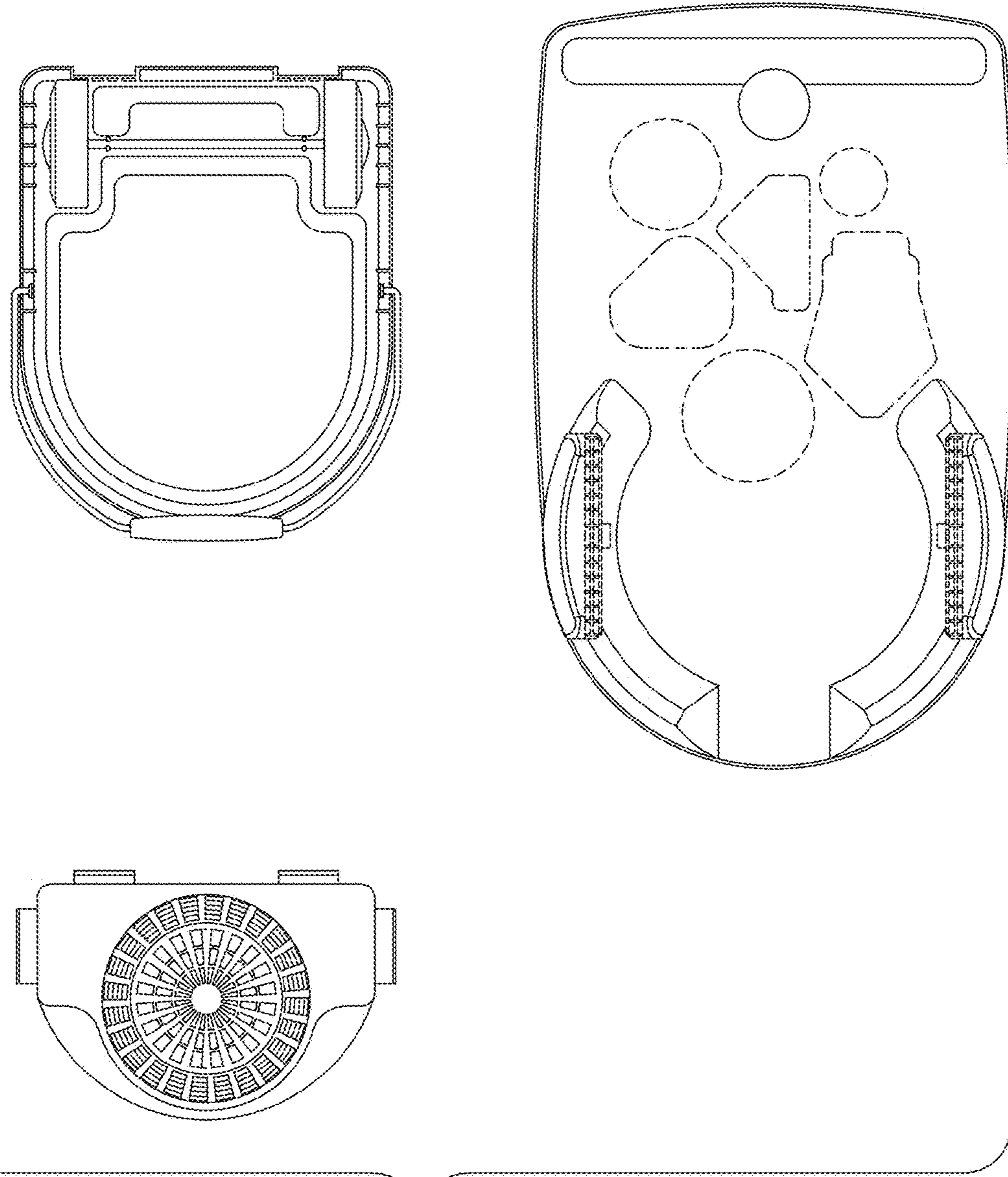


Fig. 6

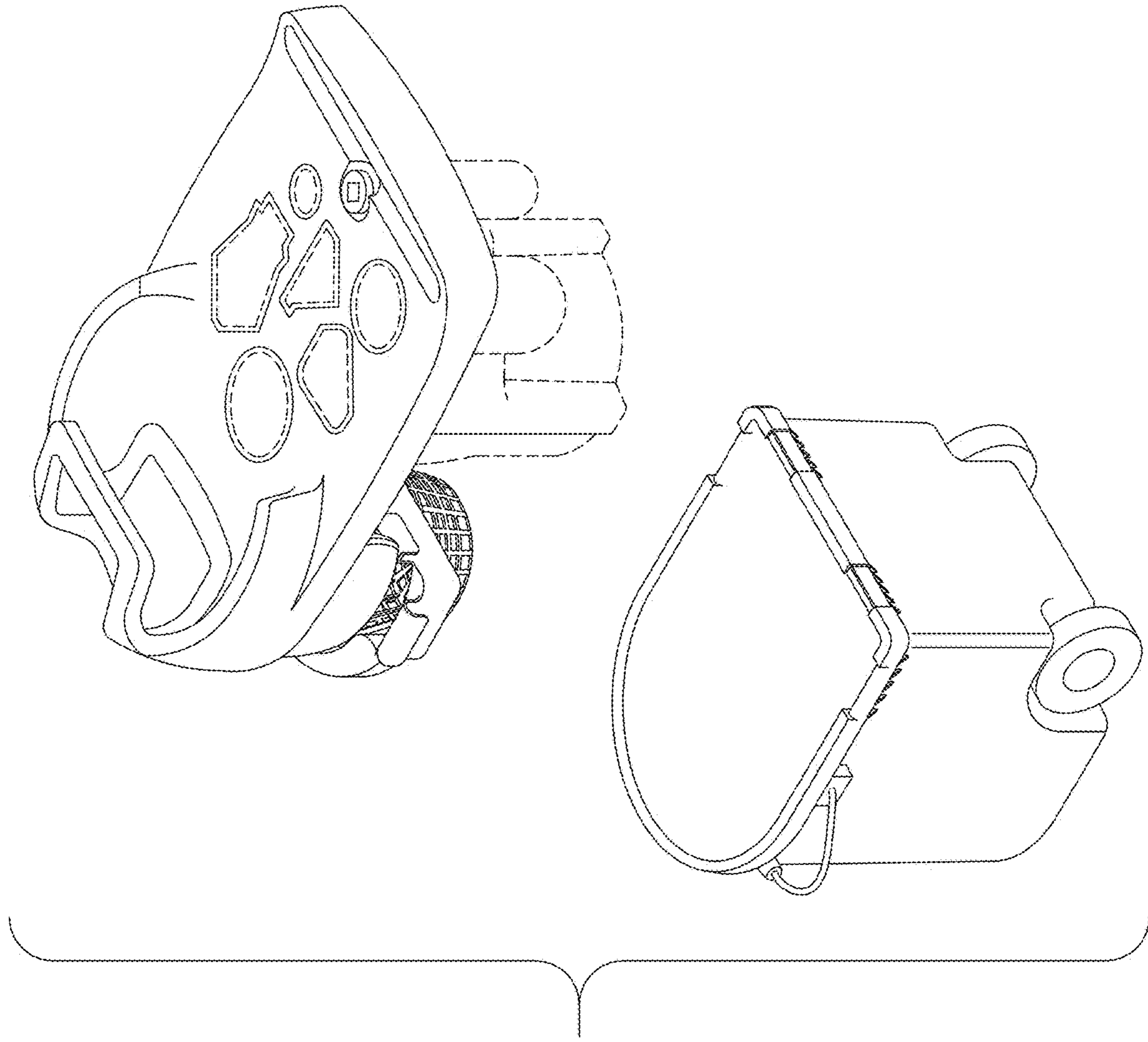


Fig. 7

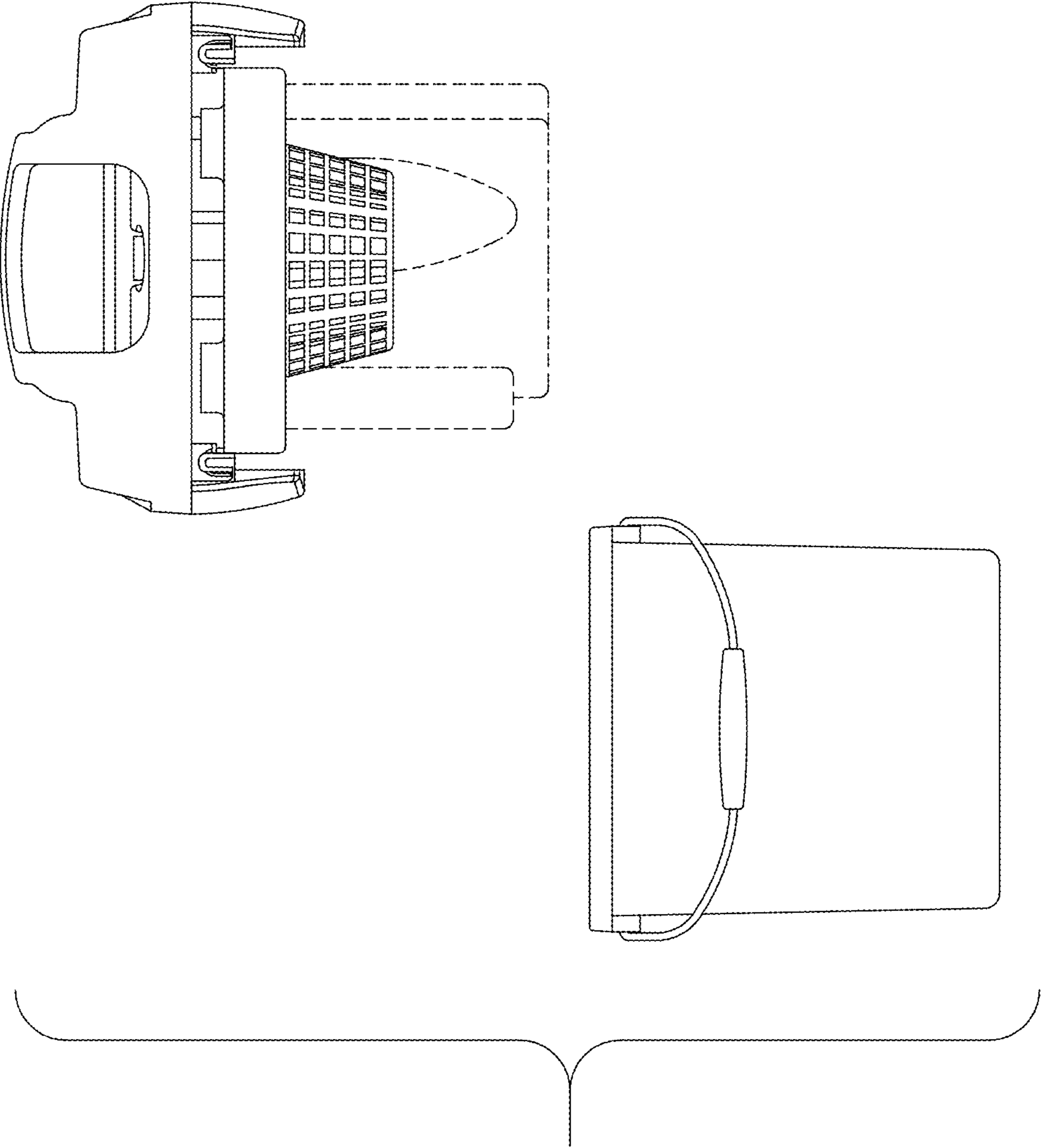


Fig. 8

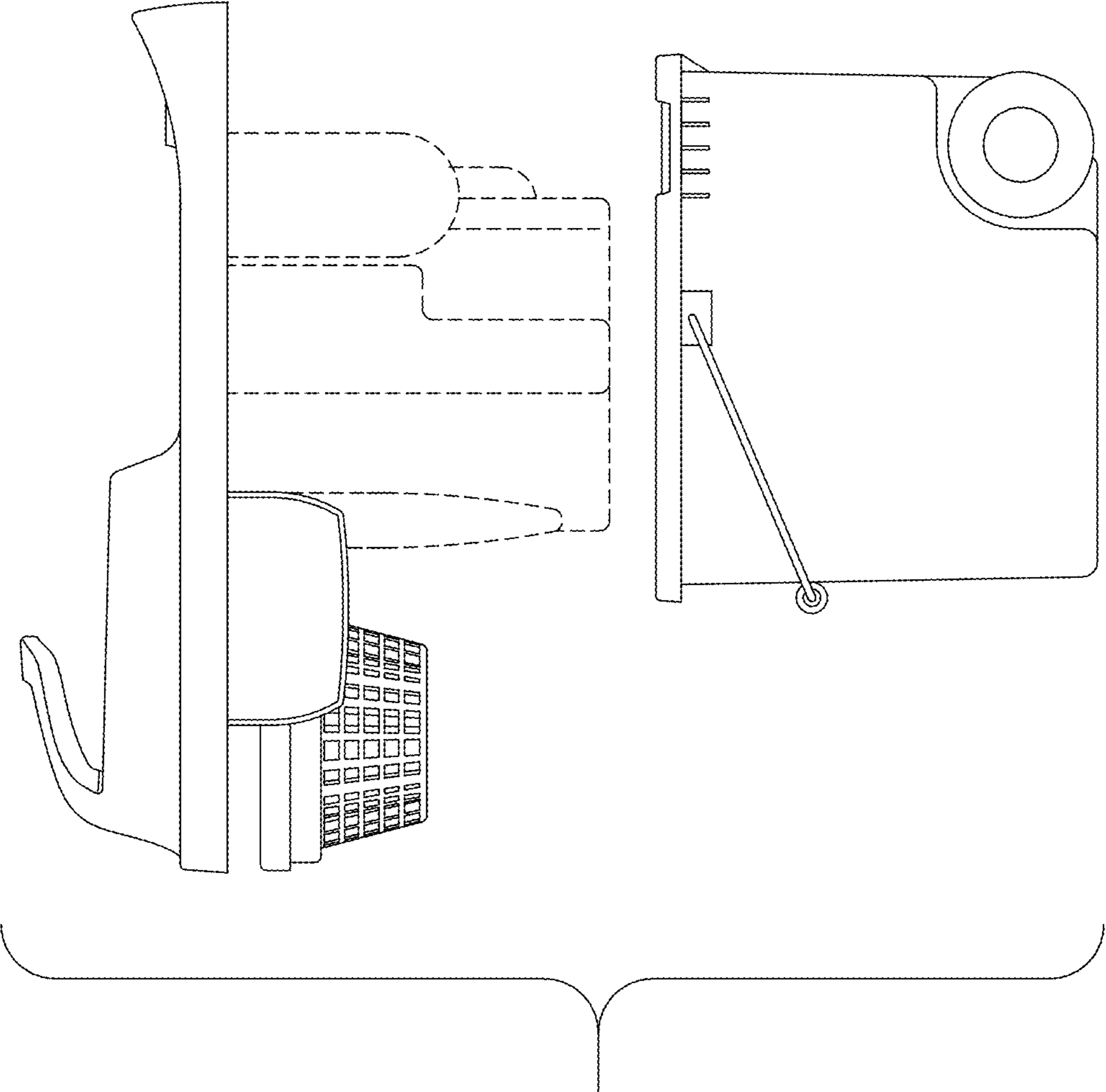


Fig. 9

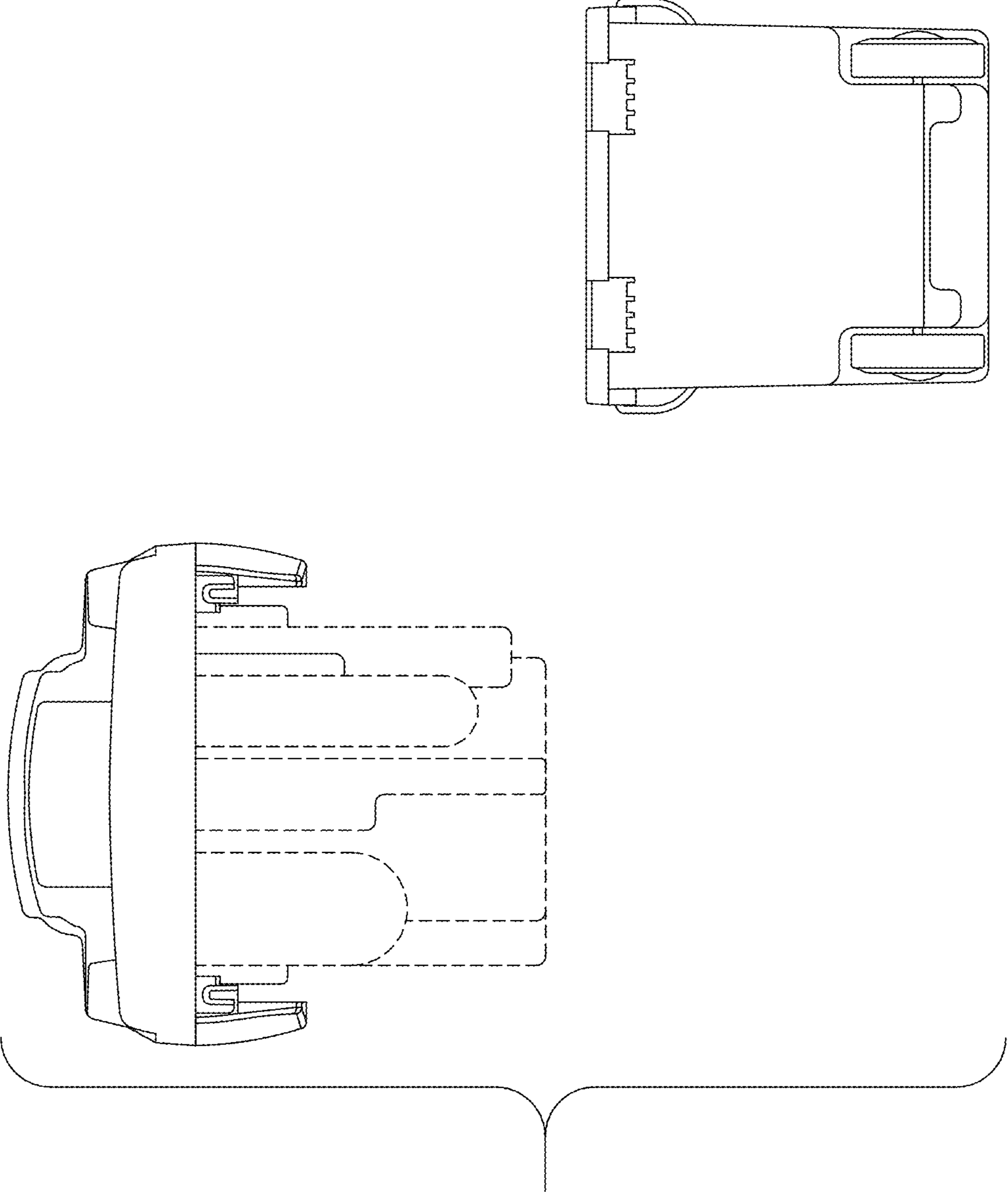


Fig. 10

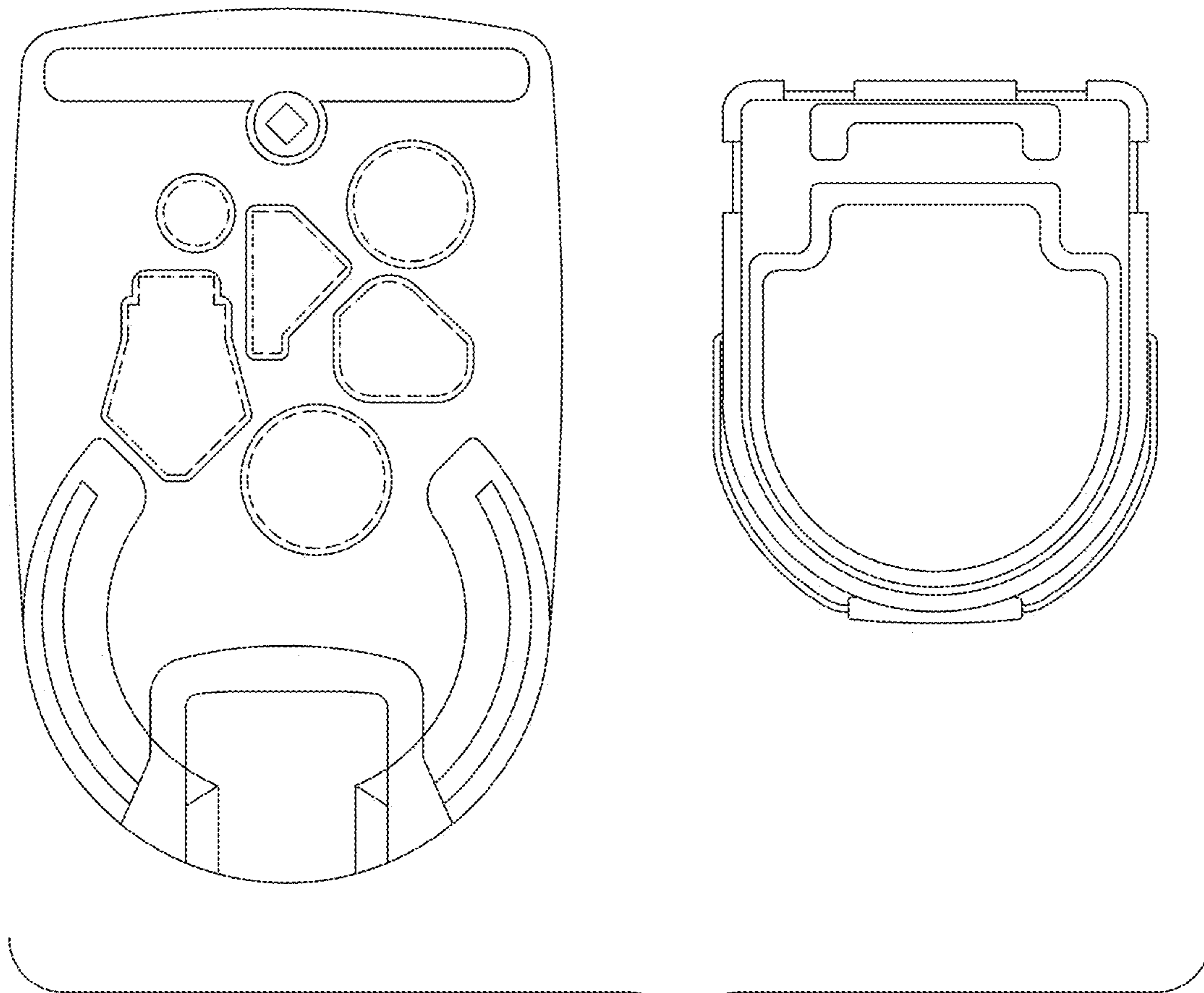


Fig. 11

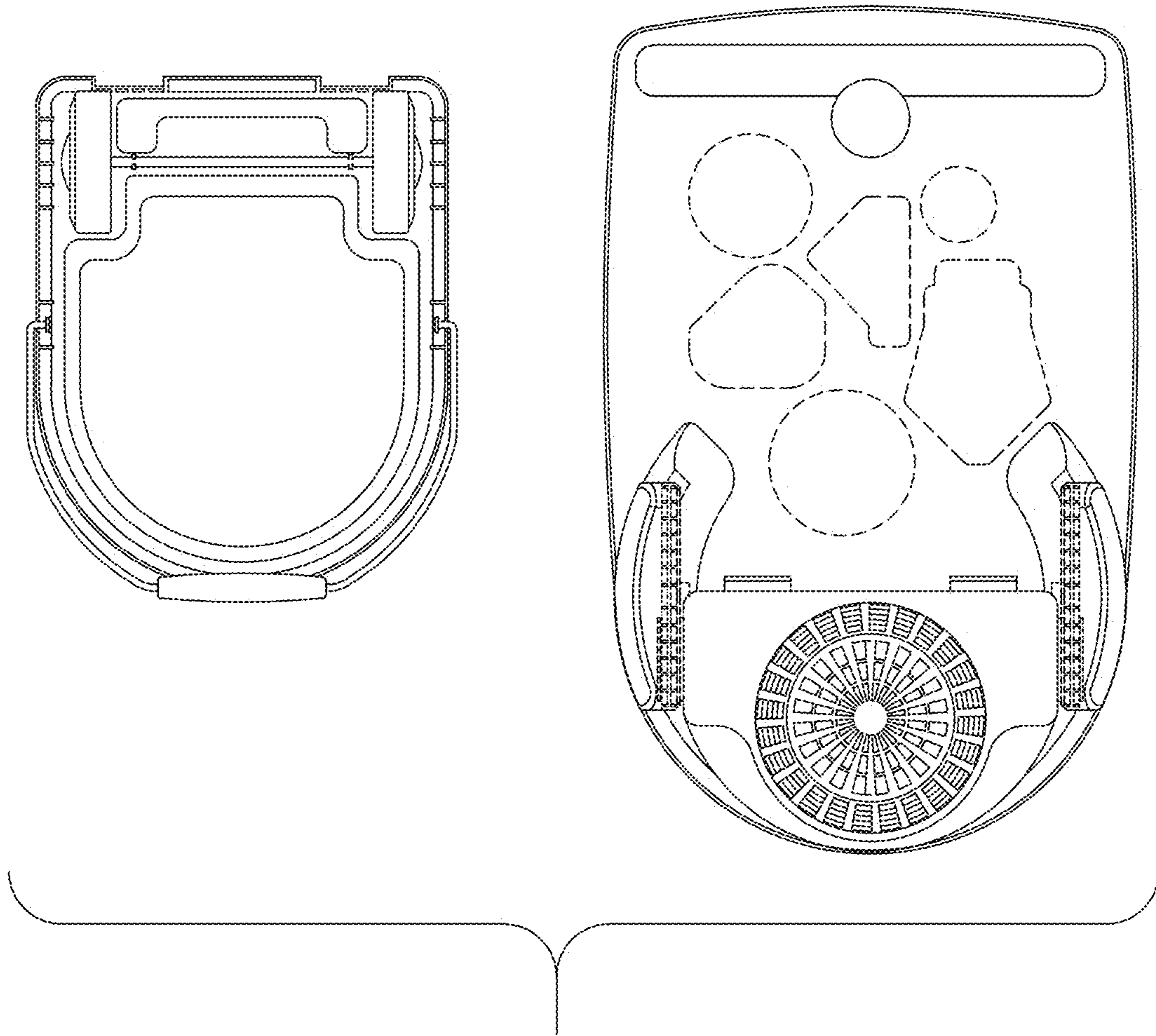


Fig. 12